



US00D428254S

**United States Patent** [19]  
**Alexander-Katz**

[11] **Patent Number: Des. 428,254**  
[45] **Date of Patent: \*\* Jul. 18, 2000**

[54] **PORTABLE LIGHTING SUITCASE**

**DESCRIPTION**

- [75] Inventor: **Didier Alexander-Katz**, Naucalpan, Mexico
- [73] Assignee: **Teletec de Mexico, SA, DE CV.**, Naucalpan, Mexico
- [\*\*] Term: **14 Years**
- [21] Appl. No.: **29/099,914**
- [22] Filed: **Jan. 29, 1999**
- [51] **LOC (7) Cl.** ..... **03-01**
- [52] **U.S. Cl.** ..... **D3/274; D3/276; D3/281**
- [58] **Field of Search** ..... **D3/272, 273, 276, D3/279, 284, 281, 274; D26/51; 362/154; 190/110, 111, 112, 113; 206/349, 372, 373**

FIG. 1 is a perspective view of a portable lighting suitcase constructed in accordance with a preferred embodiment of the invention;  
 FIG. 2 is a front elevation of FIG. 1;  
 FIG. 3 is a right side elevation of FIG. 1 and the left side elevation is a mirror image of the right side;  
 FIG. 4 is a rear elevation of FIG. 1;  
 FIG. 5 is a plan view of the top of the portable lighting suitcase illustrated in FIG. 1;  
 FIG. 6 is a plan view of the bottom of the portable lighting suitcase illustrated in FIG. 1;  
 FIG. 7 is a perspective view of the interior of the bottom portion of the portable lighting suitcase of FIG. 1, the upper portion of the suitcase being omitted for ease of illustration;  
 FIG. 8 is a perspective view of the interior of the upper portion of the portable lighting suitcase of FIG. 1, the bottom portion of the suitcase being omitted for ease of illustration;  
 FIG. 9 is a perspective view of a portable lighting suitcase constructed in accordance with a second embodiment of the invention;  
 FIG. 10 is a front elevation of the embodiment of FIG. 9;  
 FIG. 11 is a right side elevation of the embodiment of FIG. 9, and the left side elevation is a mirror image of the right side;  
 FIG. 12 is a rear elevation of the embodiment of FIG. 9; and,  
 FIG. 13 is a plan view of the bottom of the portable lighting suitcase illustrated in FIG. 9.

The broken line portions of the drawing disclosure are for illustrative purposes only and form no part of the claimed design.

The appearance of the interior and top of the second embodiment of the portable lighting suitcase form no part of the claimed design.

[56] **References Cited**

**U.S. PATENT DOCUMENTS**

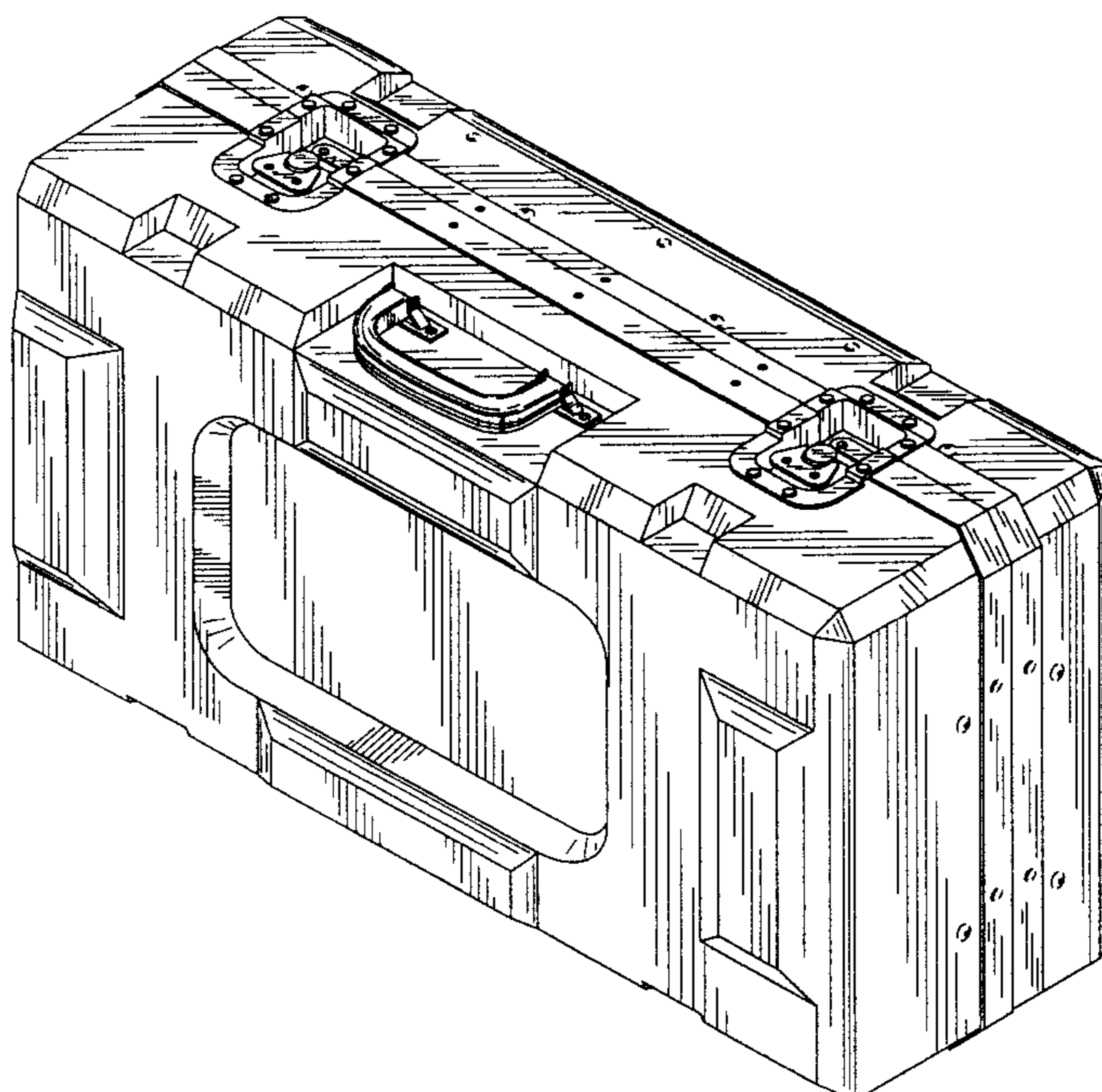
D. 234,273	2/1975	Wilson	.....	D9/424
D. 290,344	6/1987	Toms	.....	D9/424
D. 294,080	2/1988	Golia et al.	.....	D3/272
D. 316,332	4/1991	Bridges et al.	.....	D3/281
D. 328,188	7/1992	Jacobsen et al.	.....	D3/272
D. 353,048	12/1994	VanSkiver et al.	.....	D3/273
D. 402,462	12/1998	Sanderson	.....	D3/276

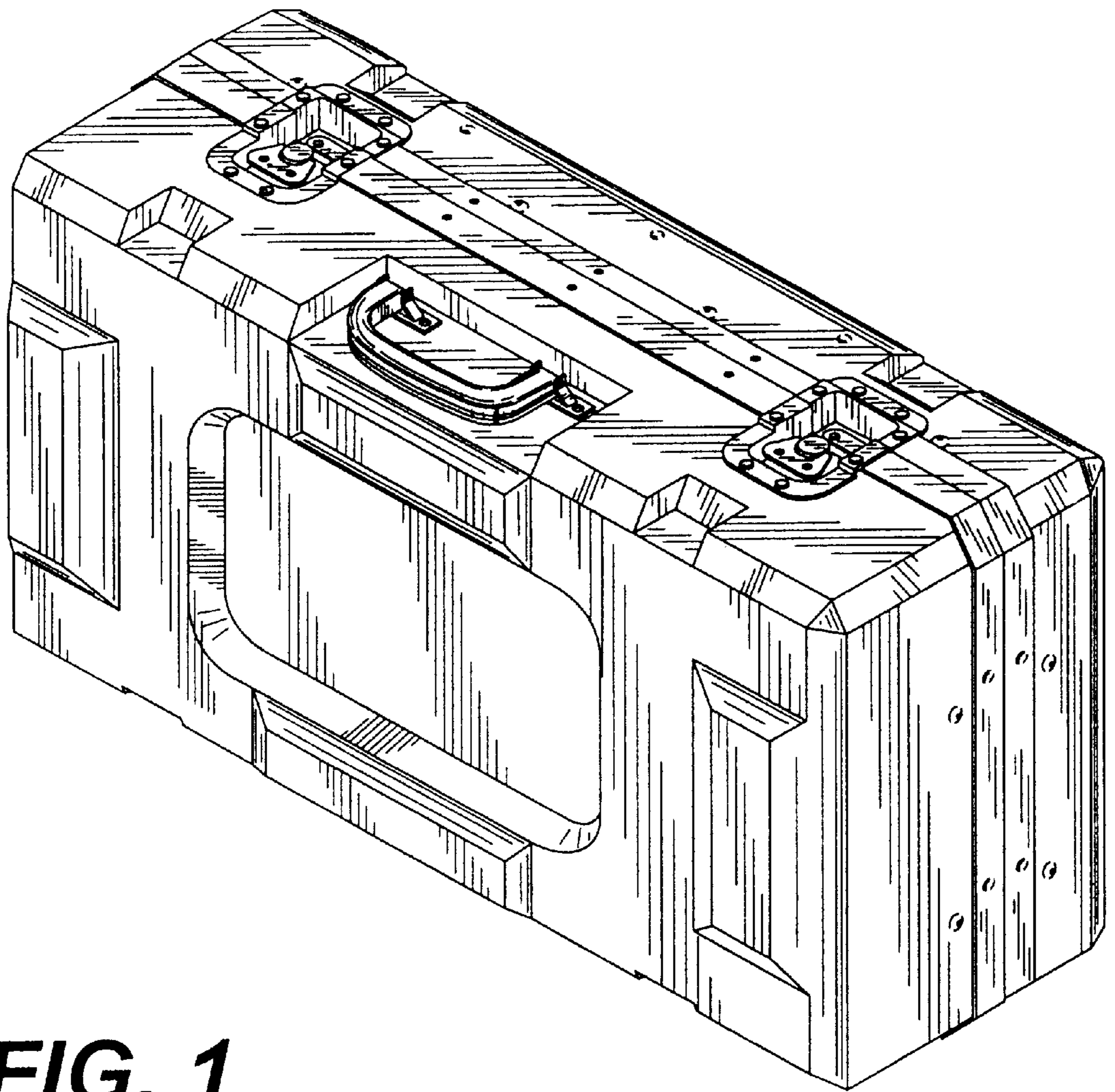
*Primary Examiner*—Philip S. Hyder  
*Attorney, Agent, or Firm*—Jagtiani & Associates

[57] **CLAIM**

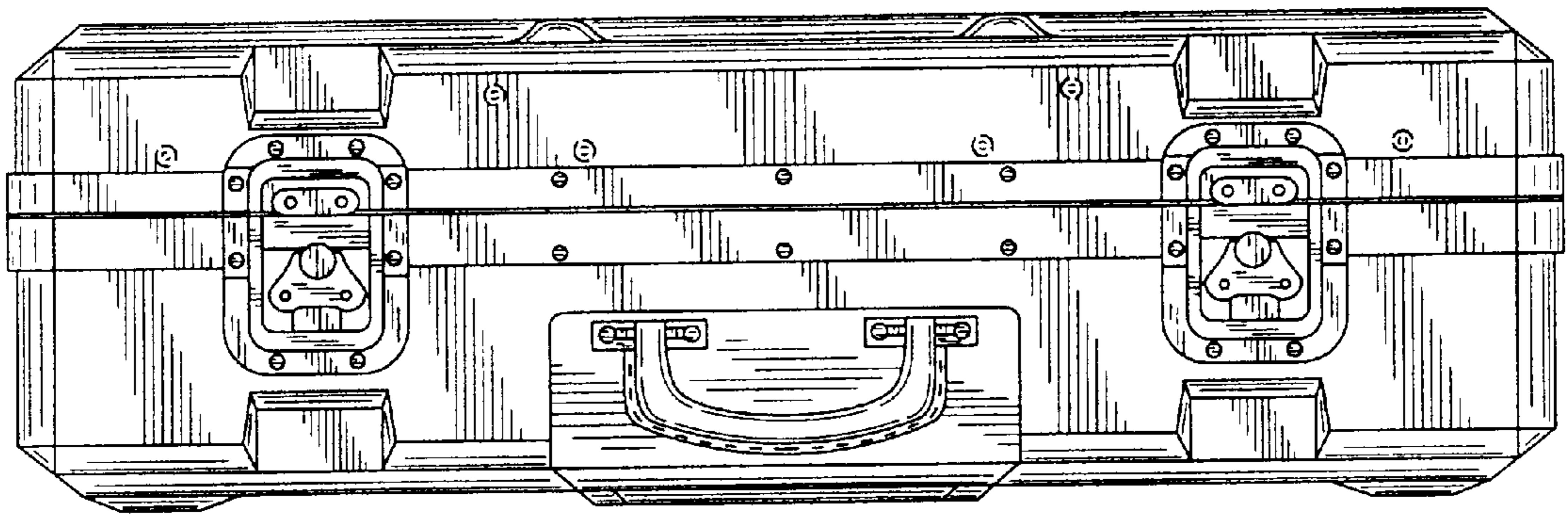
I claim the ornamental design for a portable lighting suitcase, as shown and described.

**1 Claim, 13 Drawing Sheets**

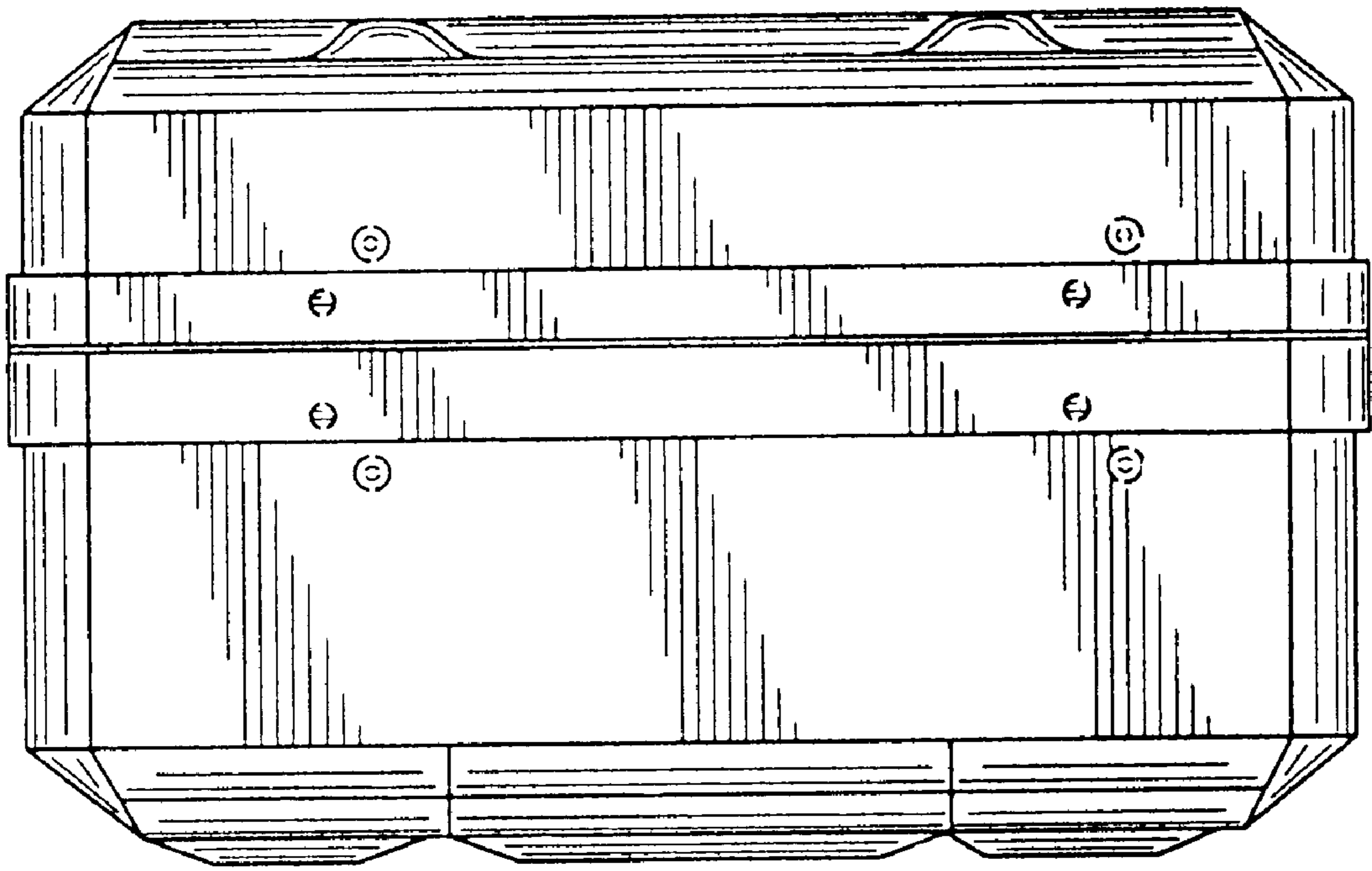




**FIG. 1**

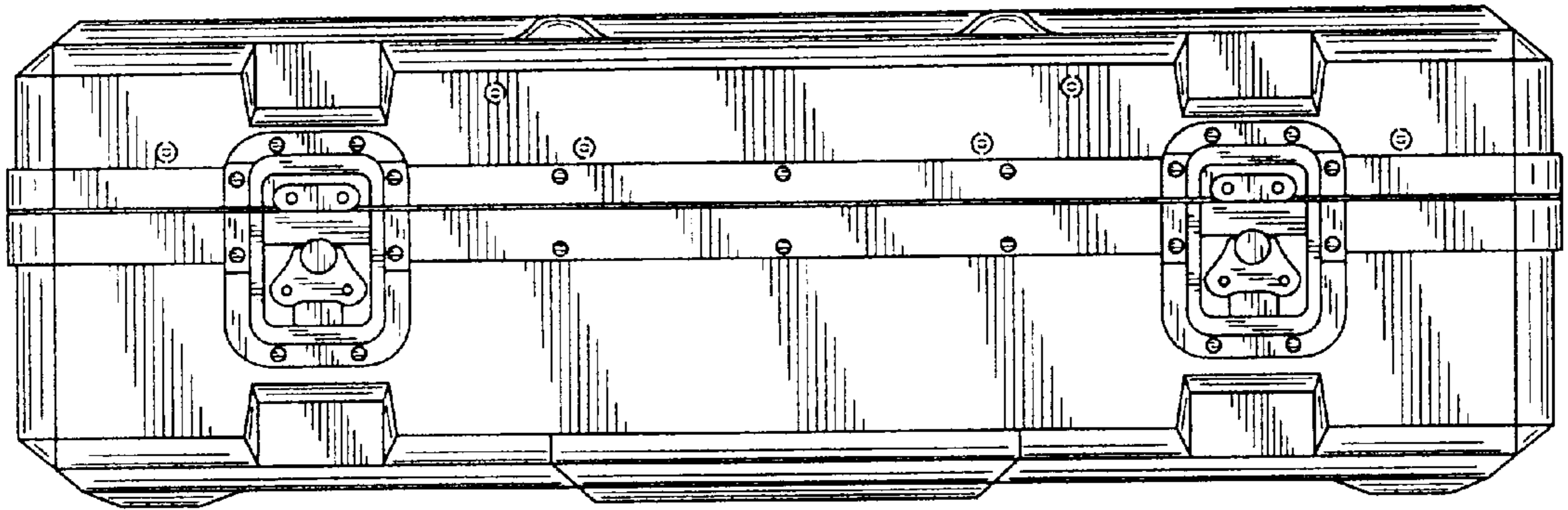


**FIG. 2**



**FIG. 3**





**FIG. 4**

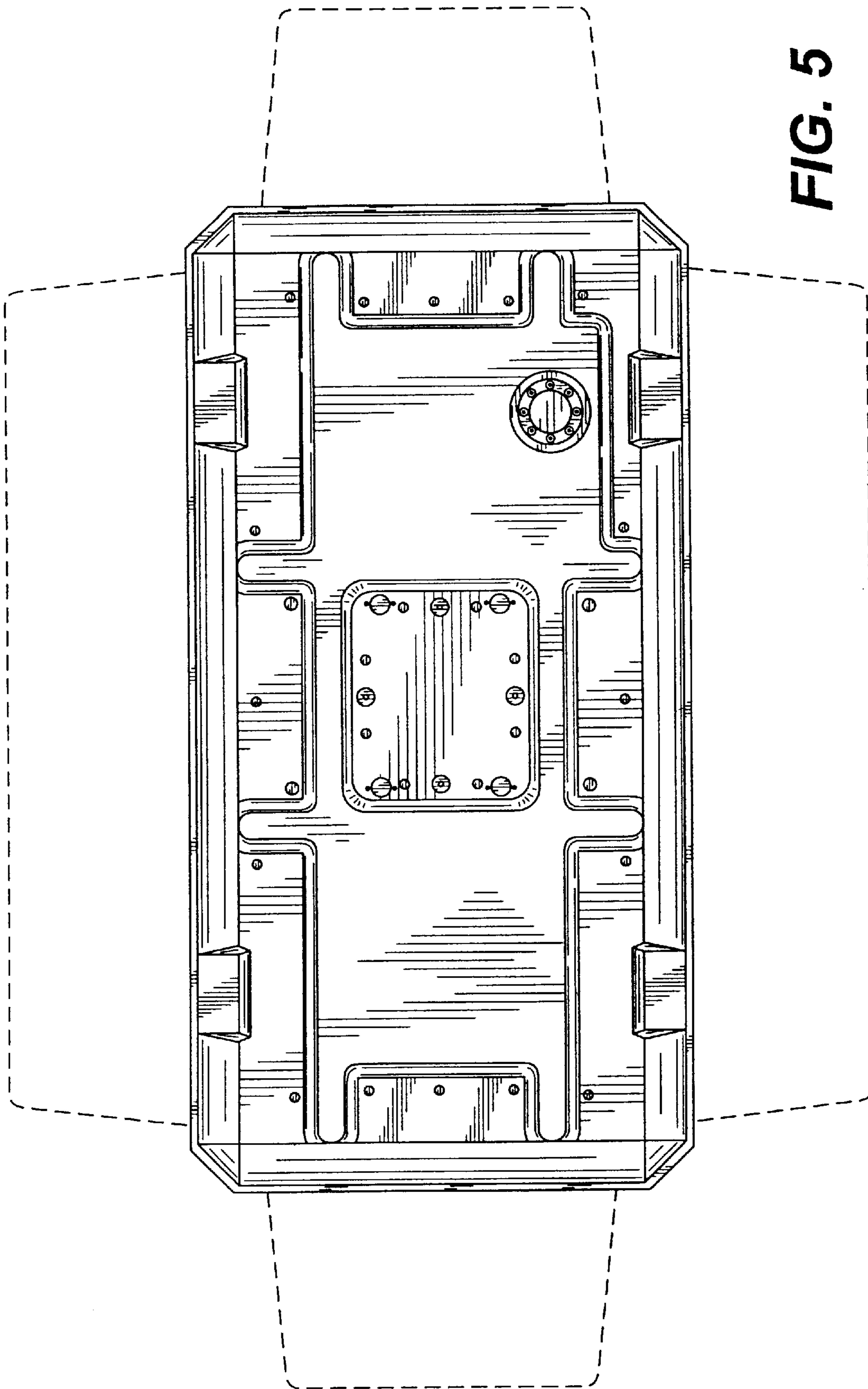
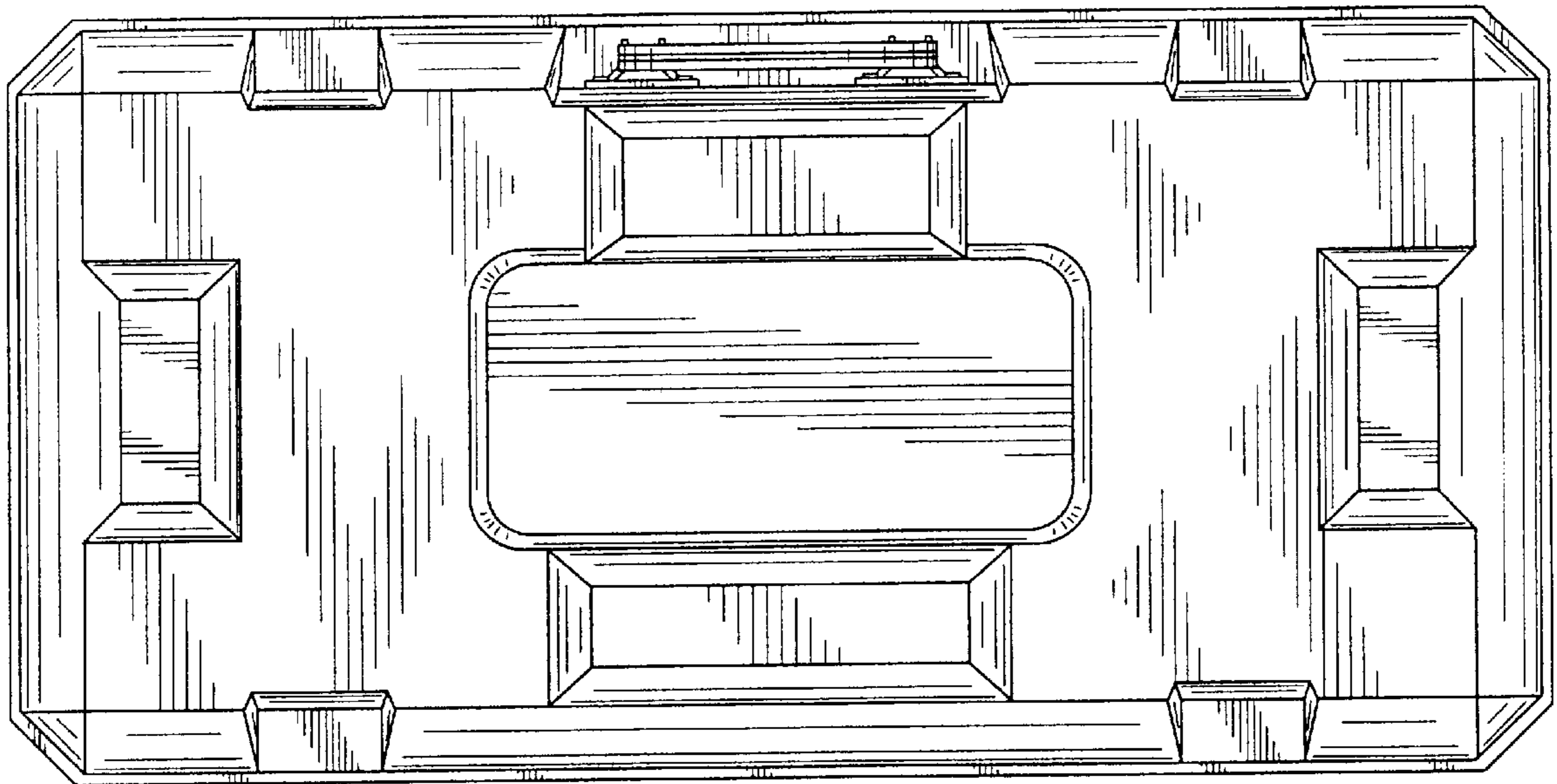
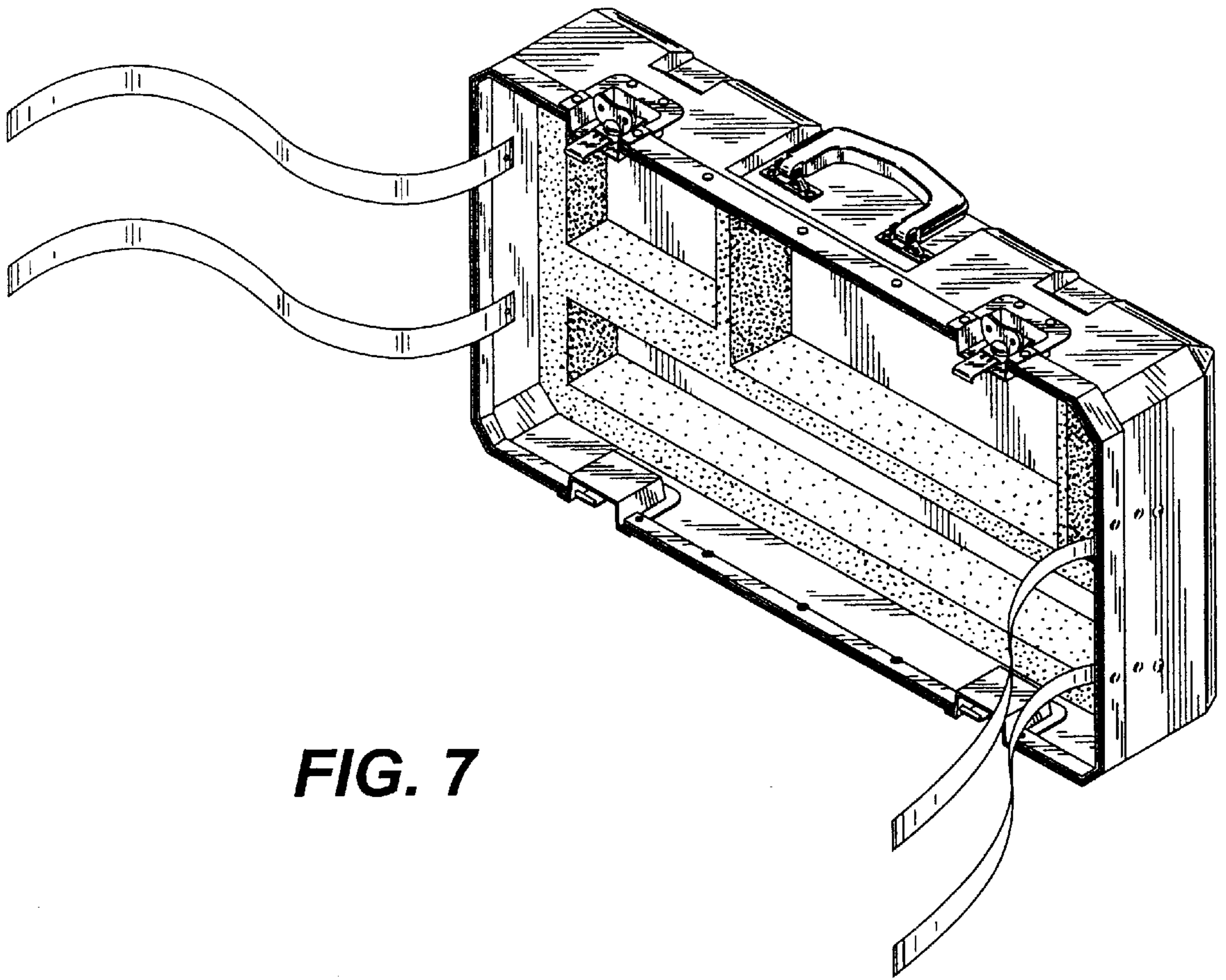


FIG. 5

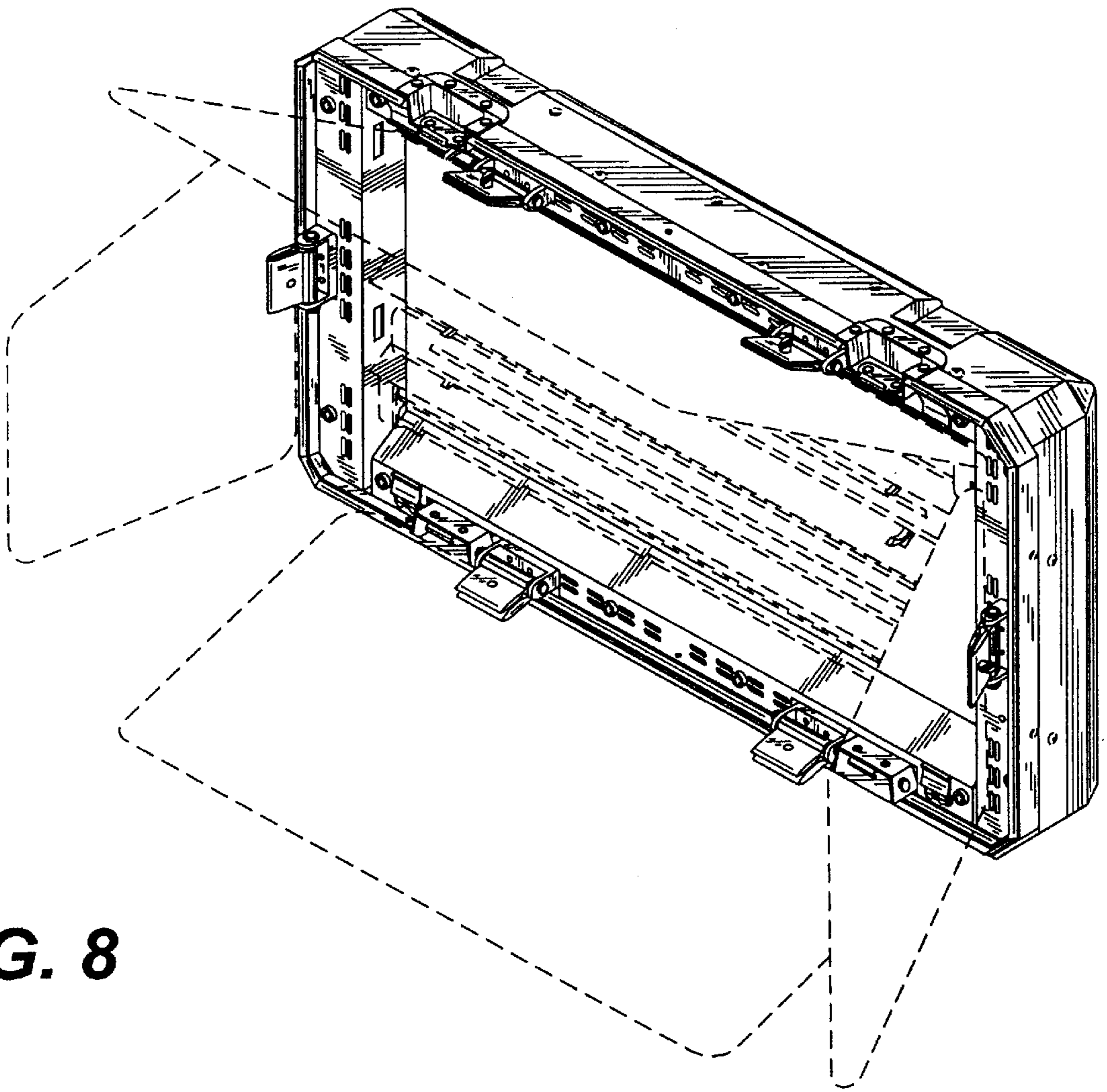


**FIG. 6**

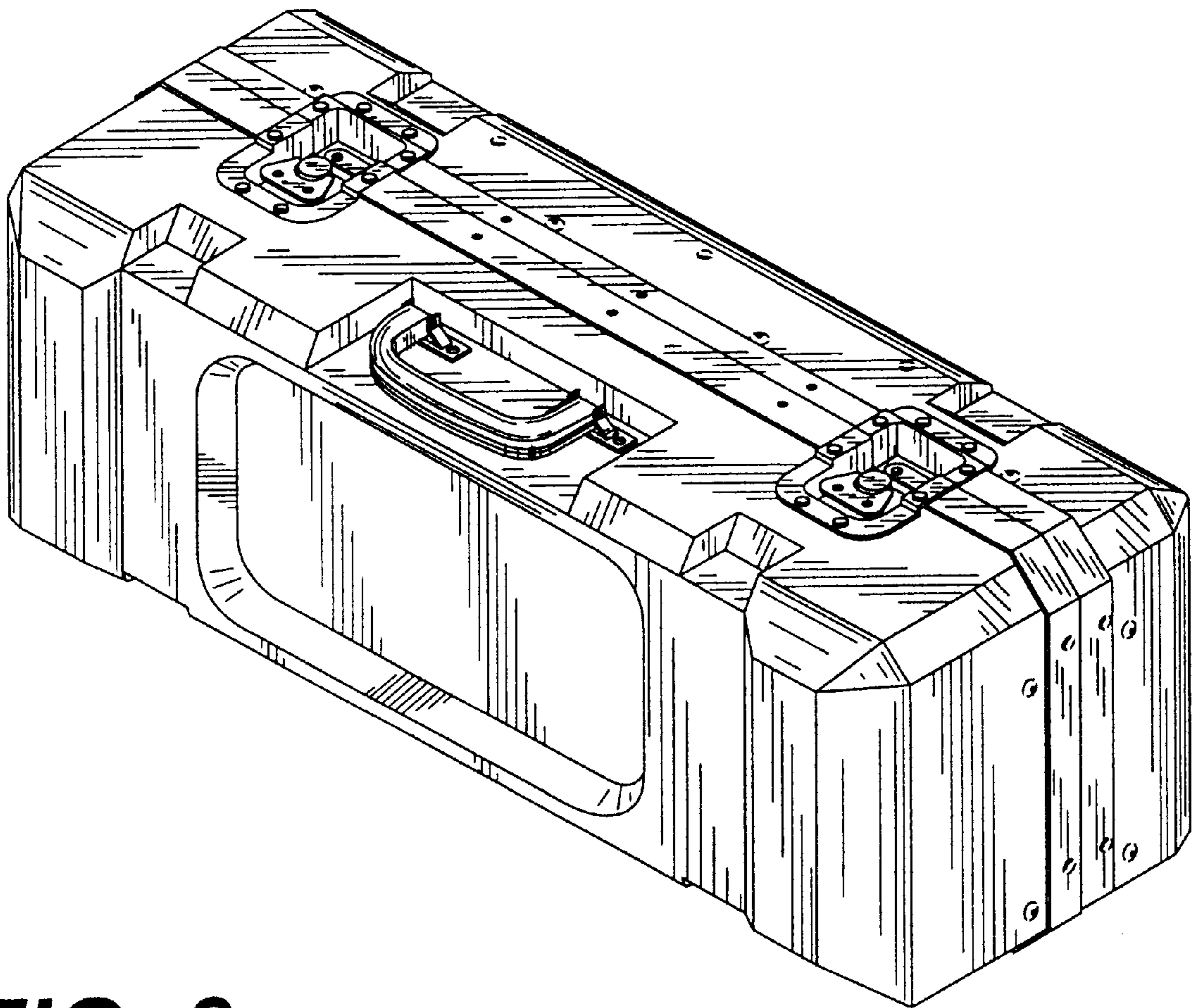


**FIG. 7**

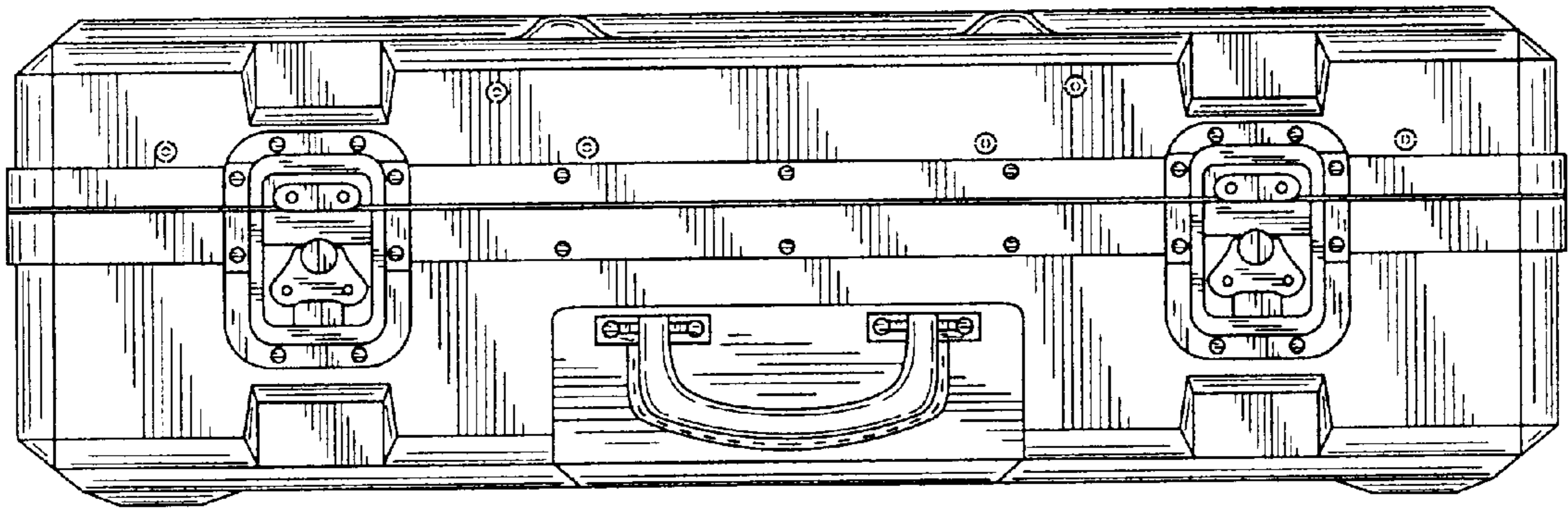




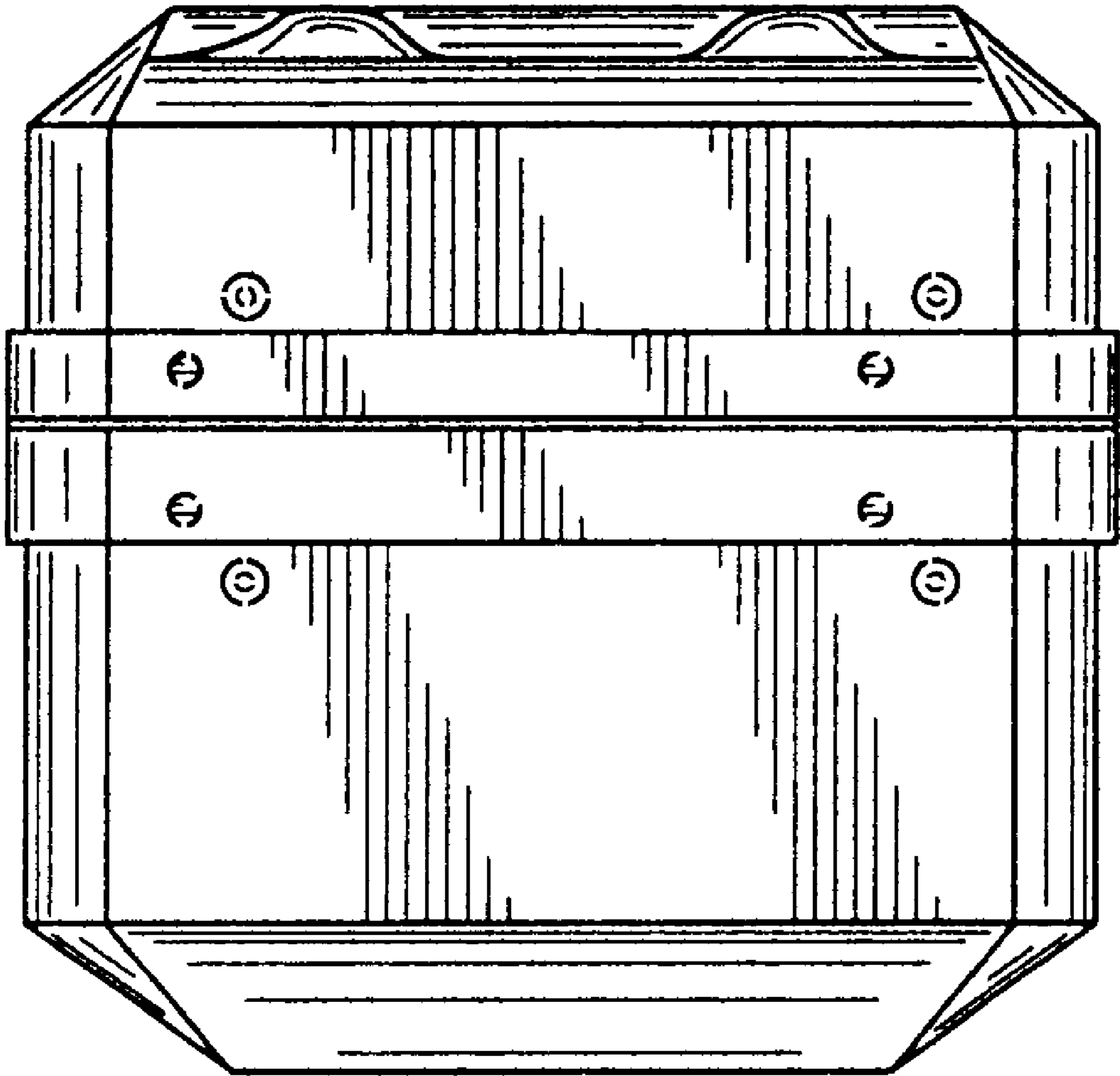
**FIG. 8**



**FIG. 9**

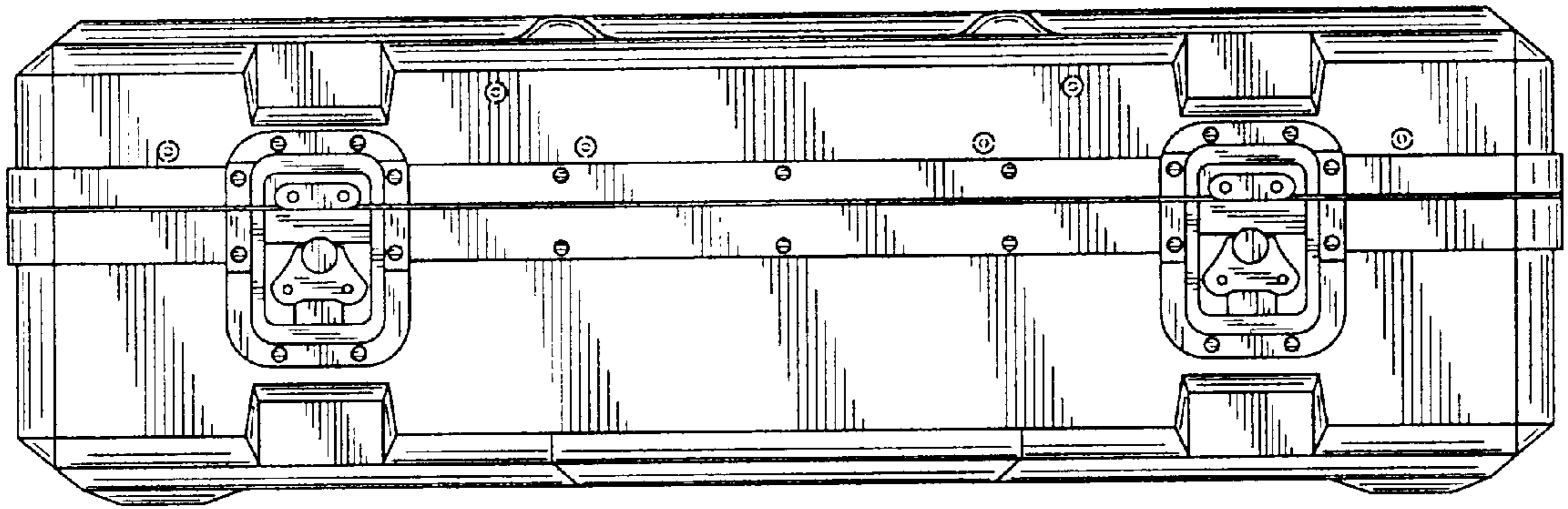


**FIG. 10**

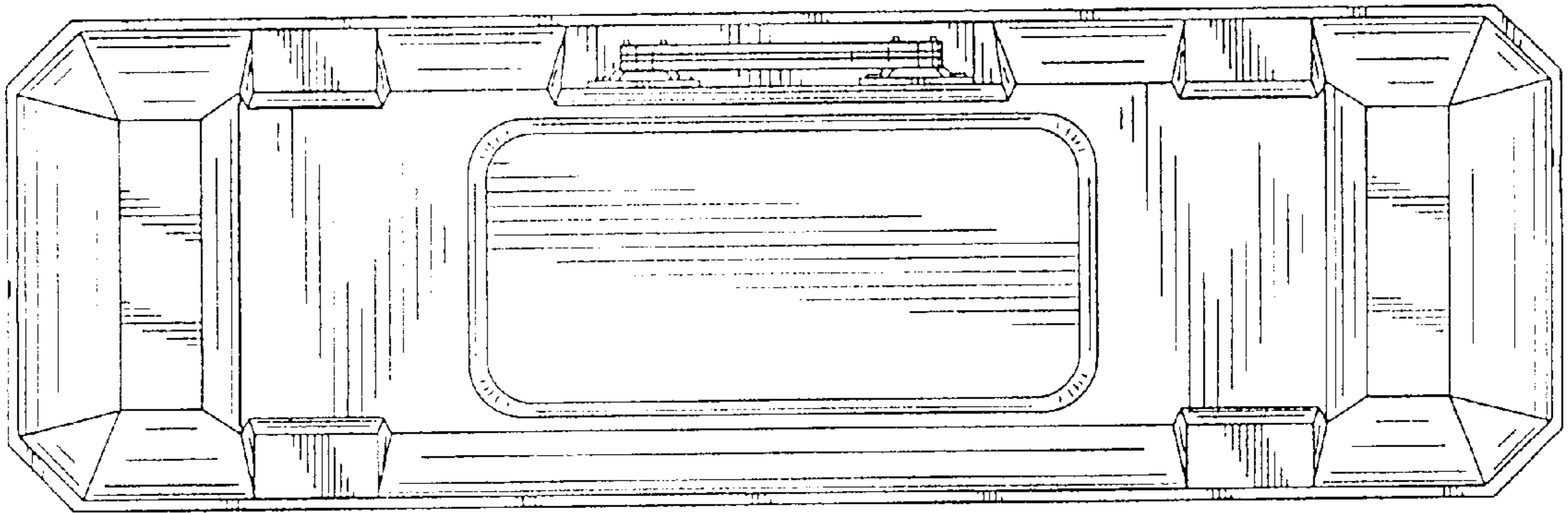


**FIG. 11**





**FIG. 12**



*FIG. 13*