



US00D428249S

United States Patent [19]

[11] Patent Number: **Des. 428,249**

Ash, Jr.

[45] Date of Patent: **** Jul. 18, 2000**

[54] **BACKPACK DISPENSER FOR BEVERAGE CONTAINERS**

[76] Inventor: **William O. Ash, Jr.**, 2537 S. Gessner, No. 216, Houston, Tex. 77063

[**] Term: **14 Years**

[21] Appl. No.: **29/036,624**

[22] Filed: **Mar. 23, 1995**

[51] **LOC (7) Cl.** **03-01**

[52] **U.S. Cl.** **D3/217**

[58] **Field of Search** D3/216, 217, 215, D3/202, 261; 224/148.3, 148.4, 148.5, 148.6, 148.1, 627, 637, 640, 645, 651, 652, 209, 215; D7/619, 620; 206/549

[56] **References Cited**

U.S. PATENT DOCUMENTS

D. 319,144	8/1991	Goude	D3/217
D. 321,980	12/1991	Billet	D3/217 X
D. 355,297	2/1995	Ash, Jr.	D3/216 X
4,673,117	6/1987	Calton	224/652 X
4,941,603	7/1990	Creamer et al.	224/637 X

OTHER PUBLICATIONS

SGI coolerpacks, 1995.

Primary Examiner—Prabhakar G. Deshmukh
Attorney, Agent, or Firm—Kenneth A. Roddy

[57] **CLAIM**

The ornamental design for a backpack dispenser for beverage containers, as shown and described.

DESCRIPTION

FIG. 1 is a perspective view of a first embodiment of a backpack dispenser for beverage containers showing my new design from the front, top and one side;

FIG. 2 is a side elevation view thereof, the opposite side being a mirror image of that shown;

FIG. 3 is a rear elevation view thereof;

FIG. 4 is top plan view thereof;

FIG. 5 is bottom plan view thereof;

FIG. 6 is a perspective view of a second embodiment of a backpack dispenser for beverage containers showing my new design from the front, top and one side;

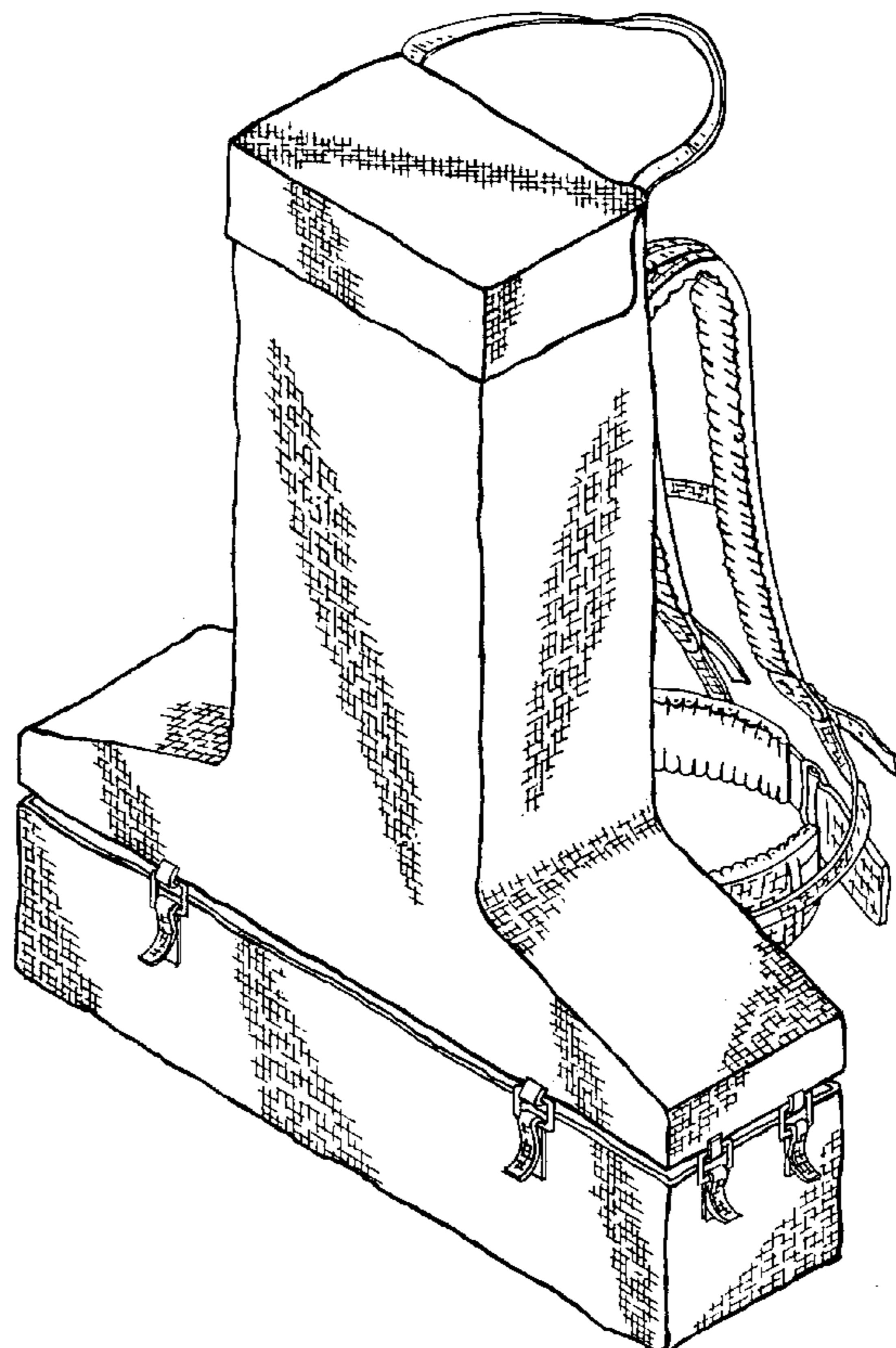
FIG. 7 is a side elevation view thereof, the opposite side being a mirror image of that shown;

FIG. 8 is a rear elevation view thereof;

FIG. 9 is top plan view thereof; and,

FIG. 10 is bottom plan view thereof.

1 Claim, 6 Drawing Sheets



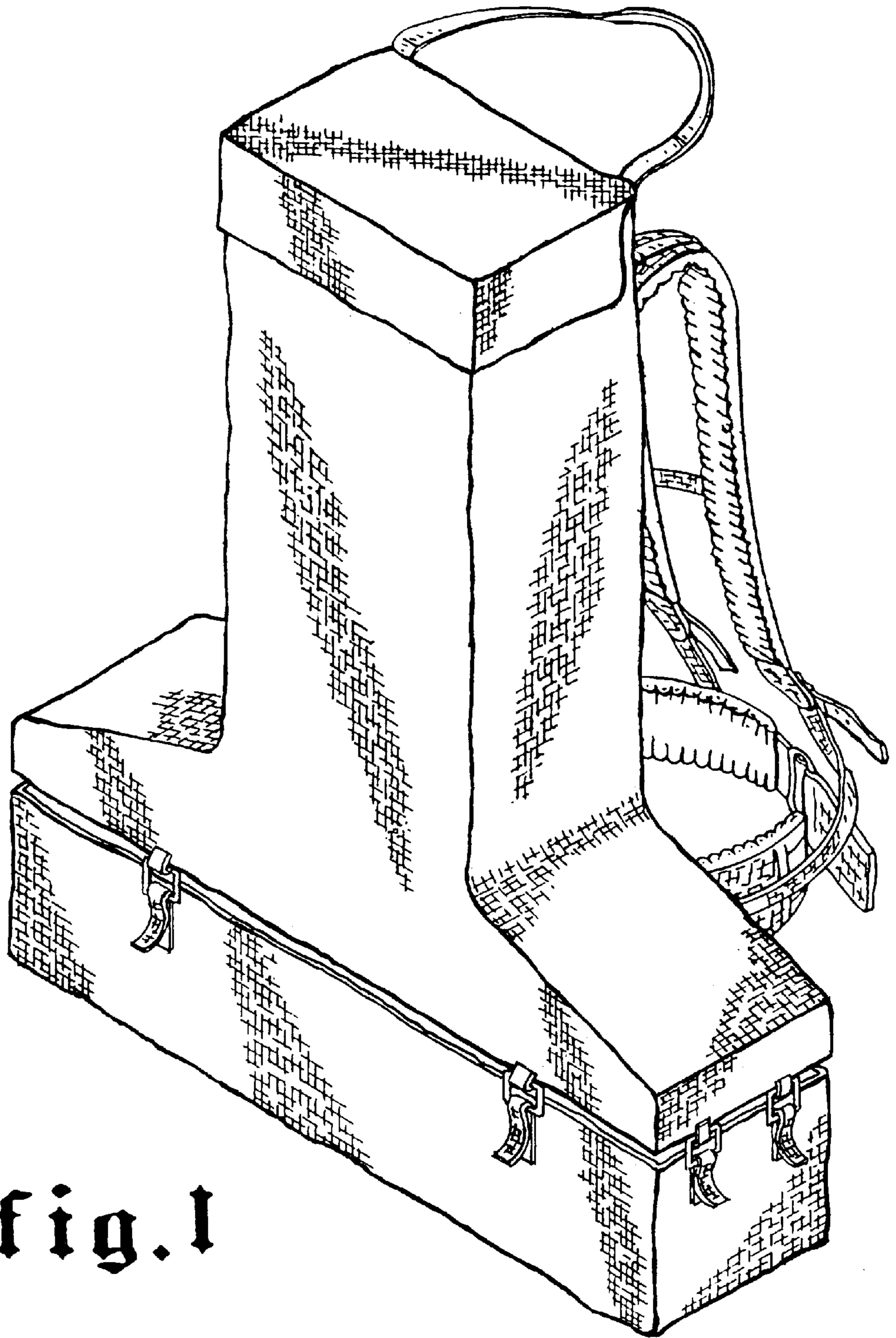


fig. 1

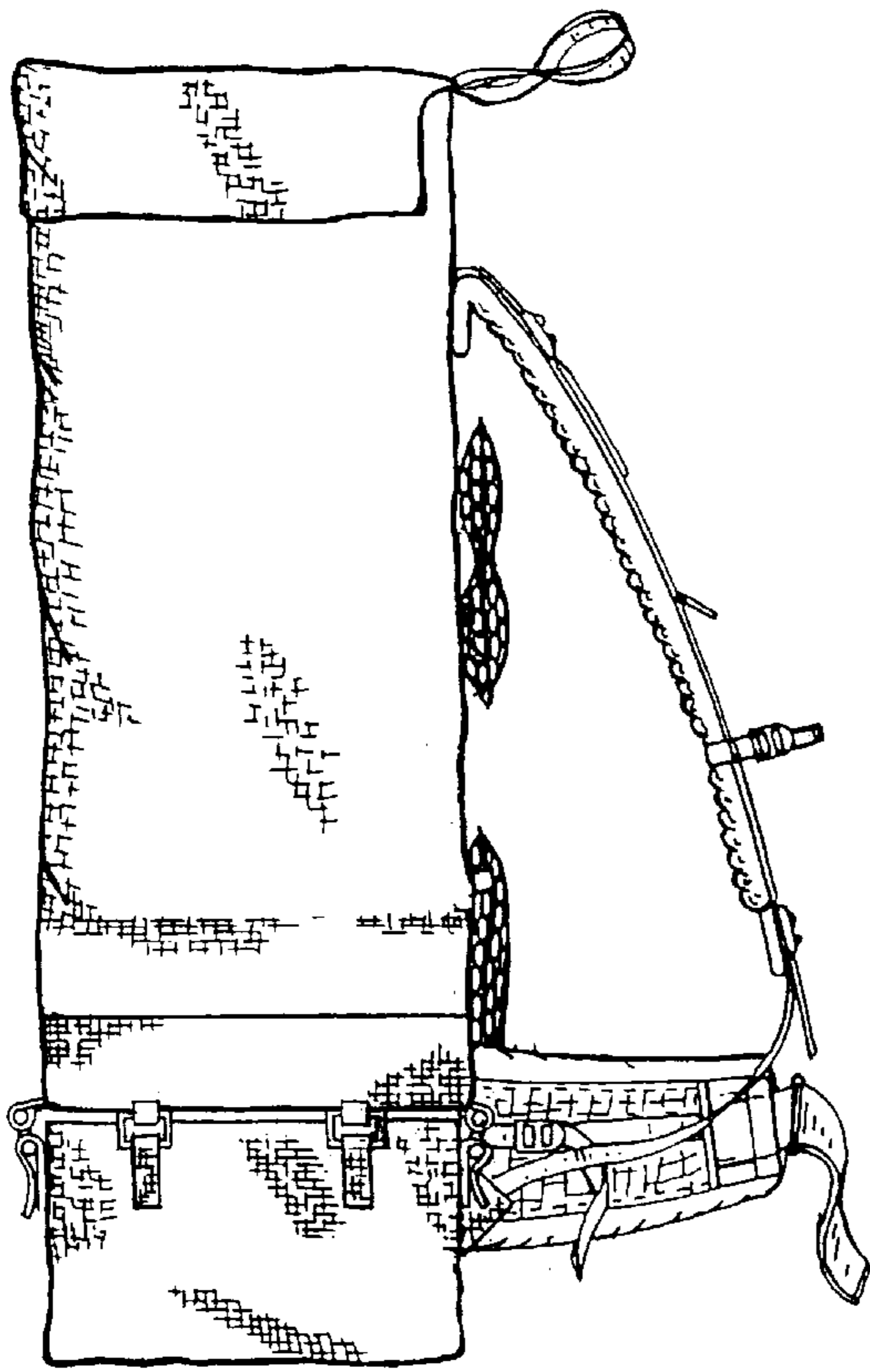
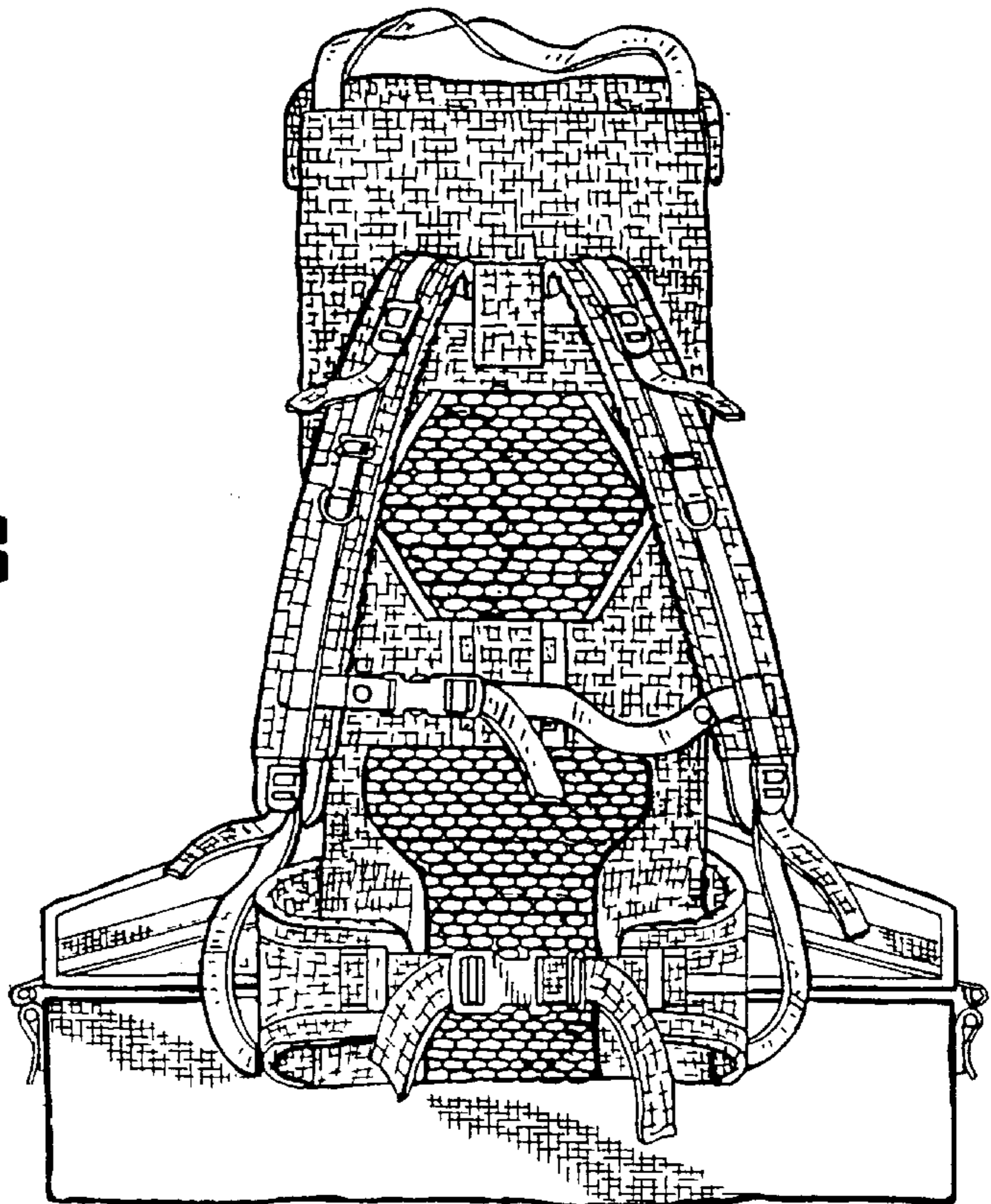


fig. 2

fig. 3



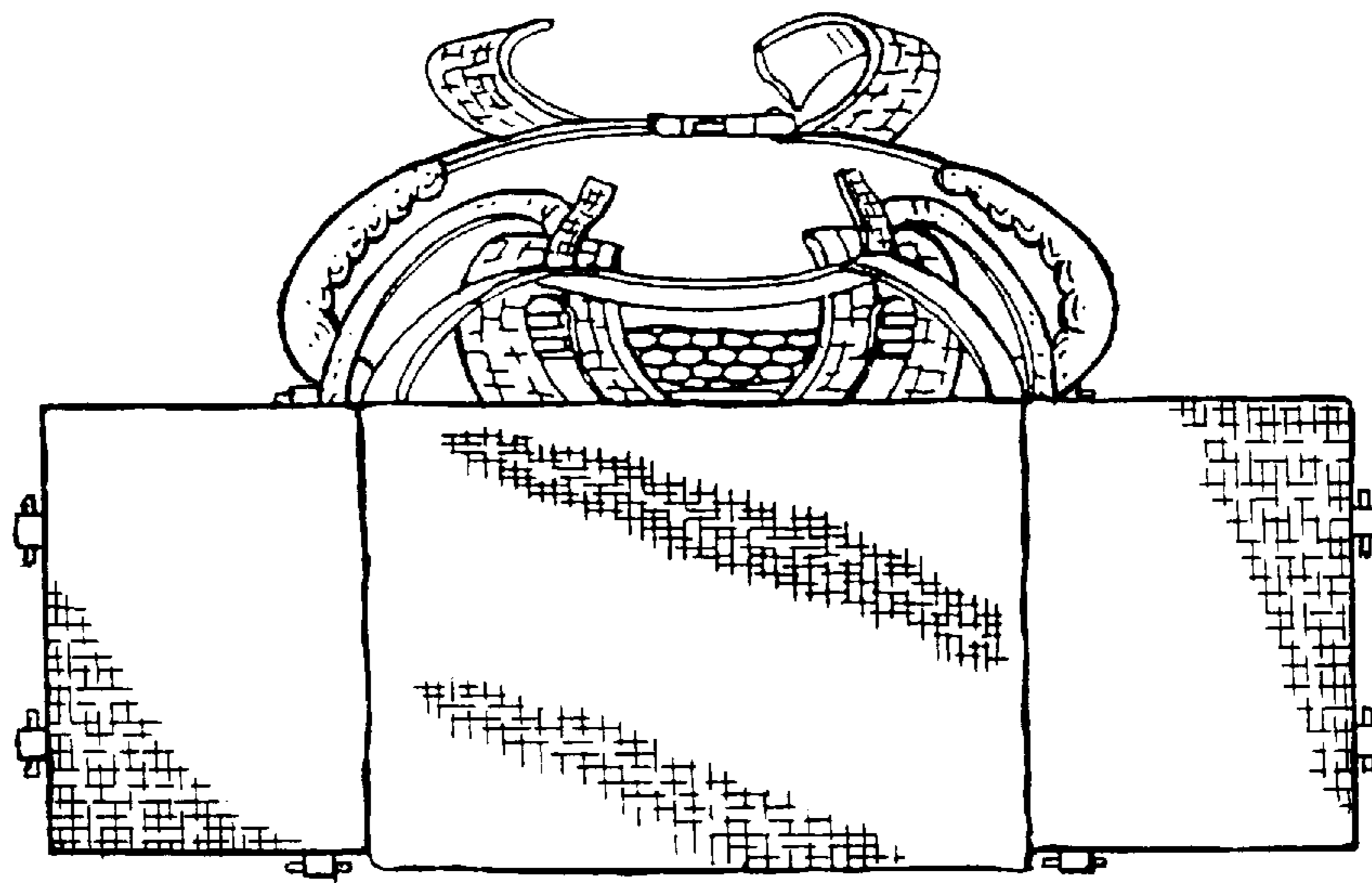


fig. 4

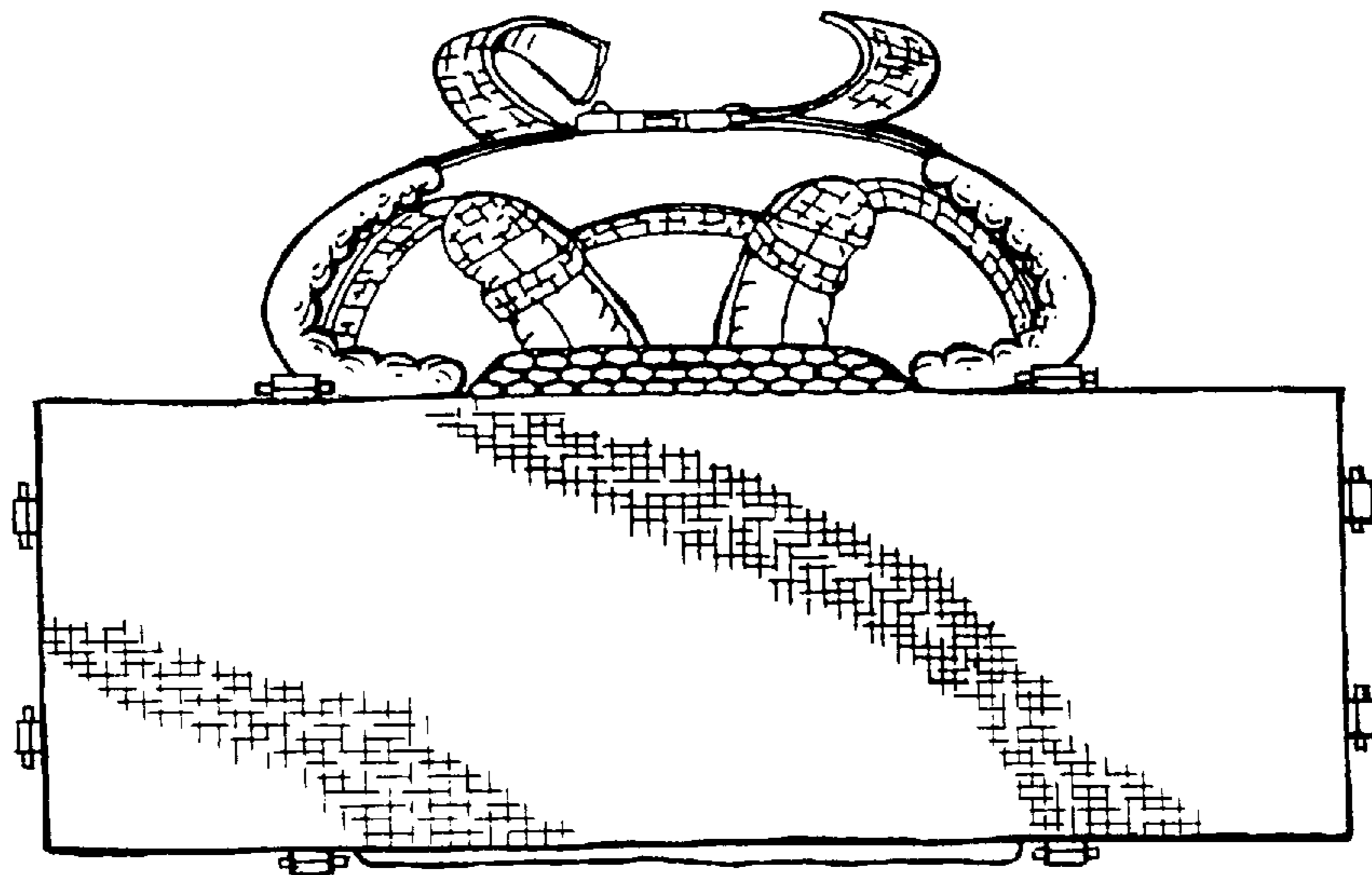


fig. 5

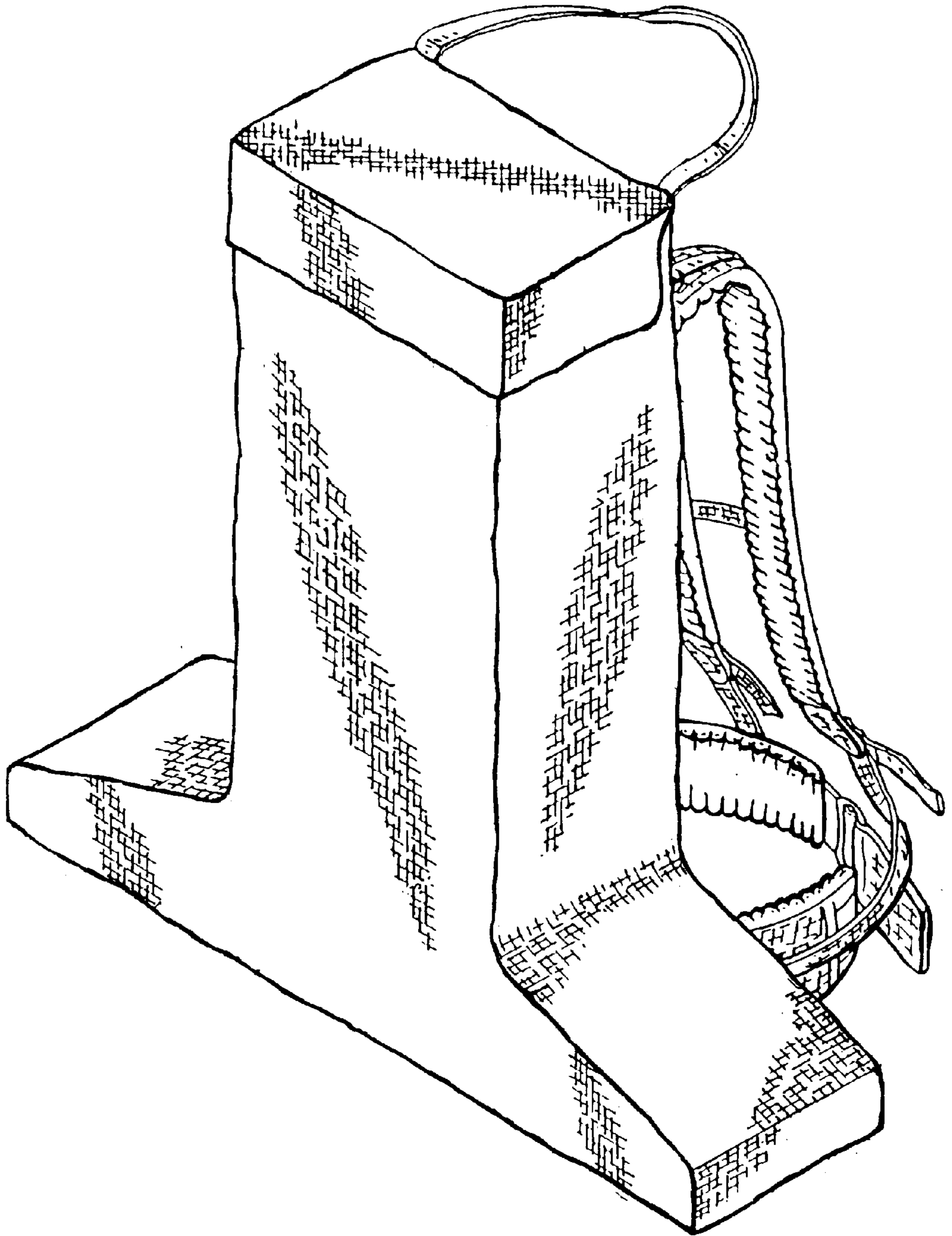


fig. 6

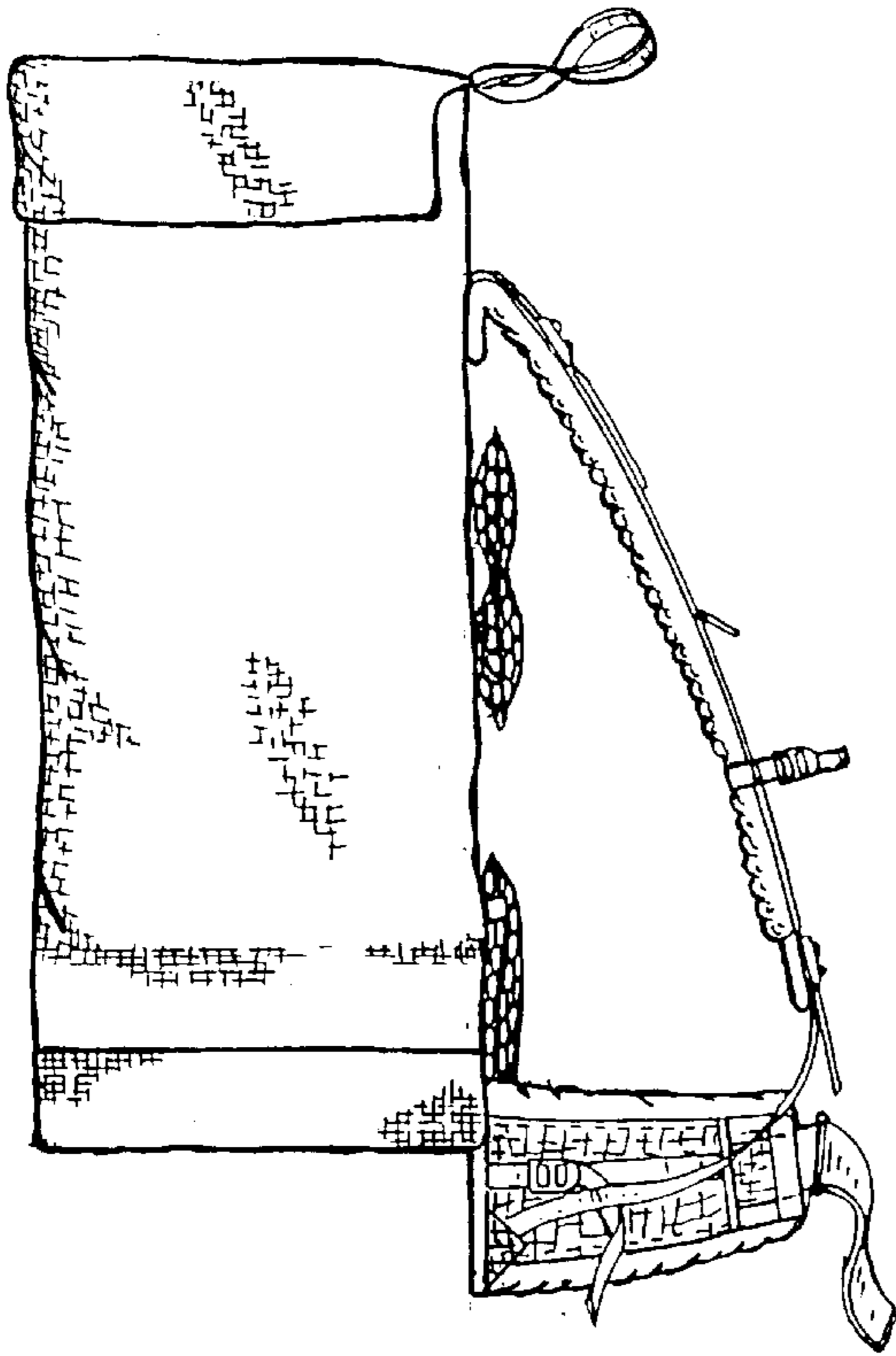
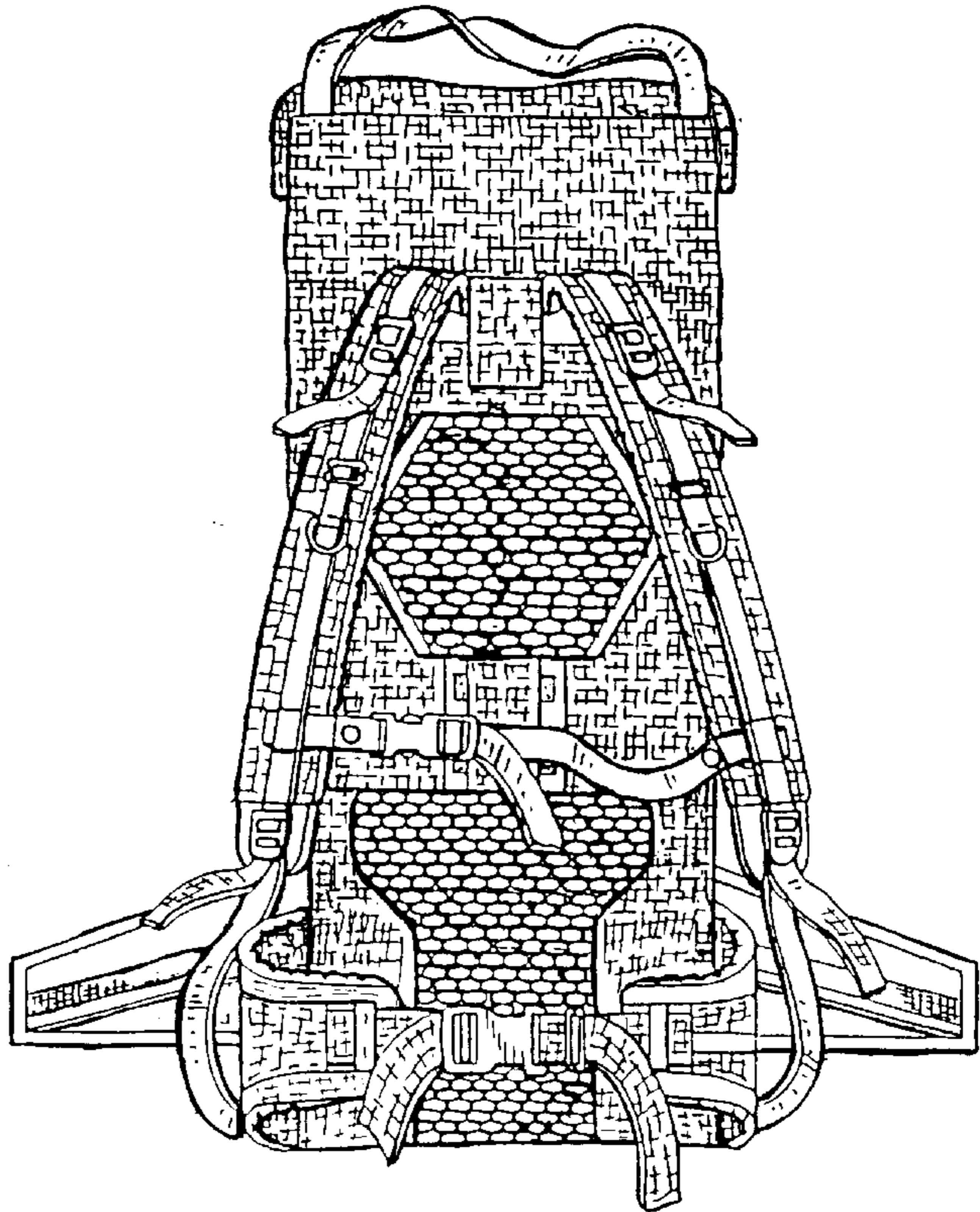


fig.7

fig.8



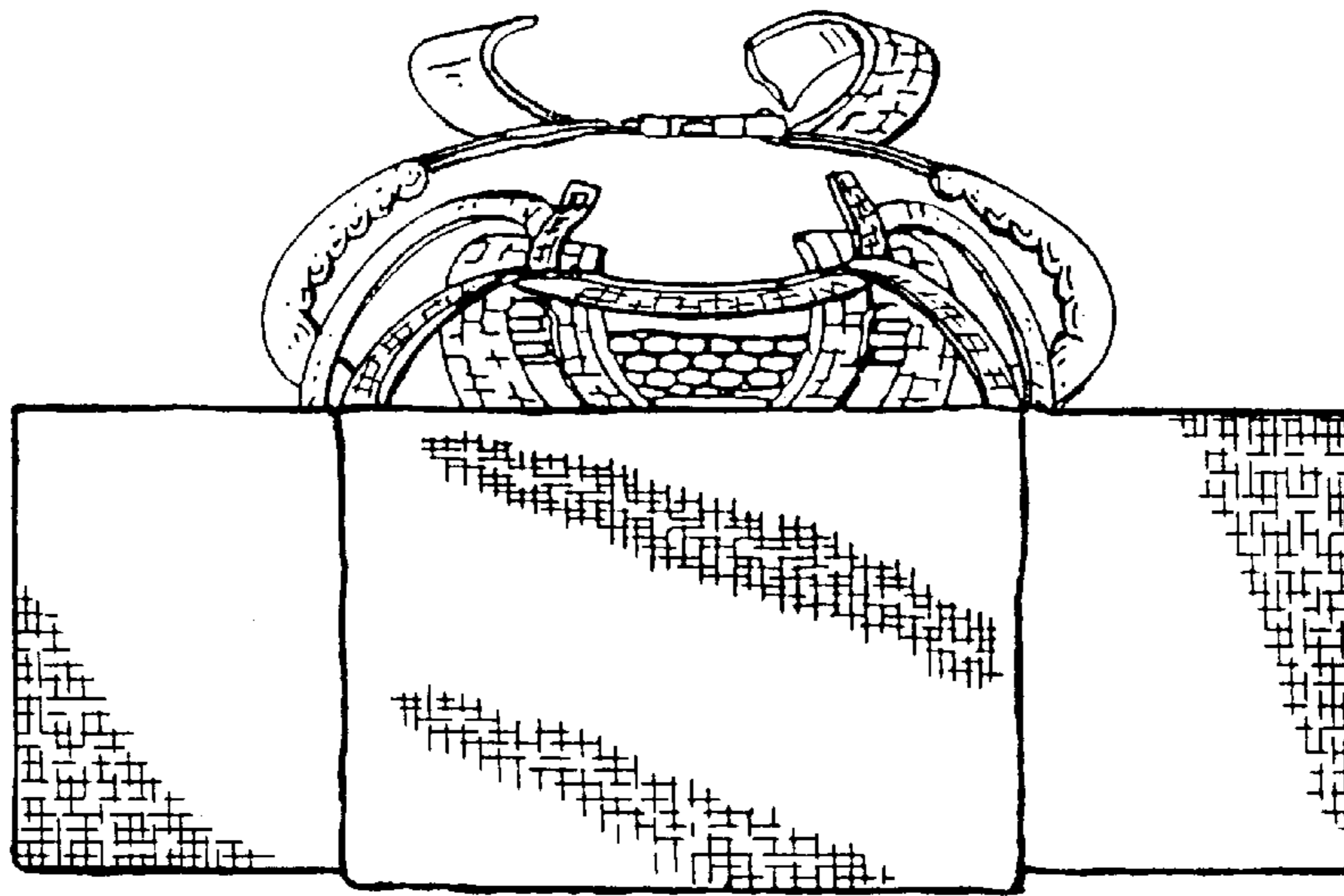


fig. 9

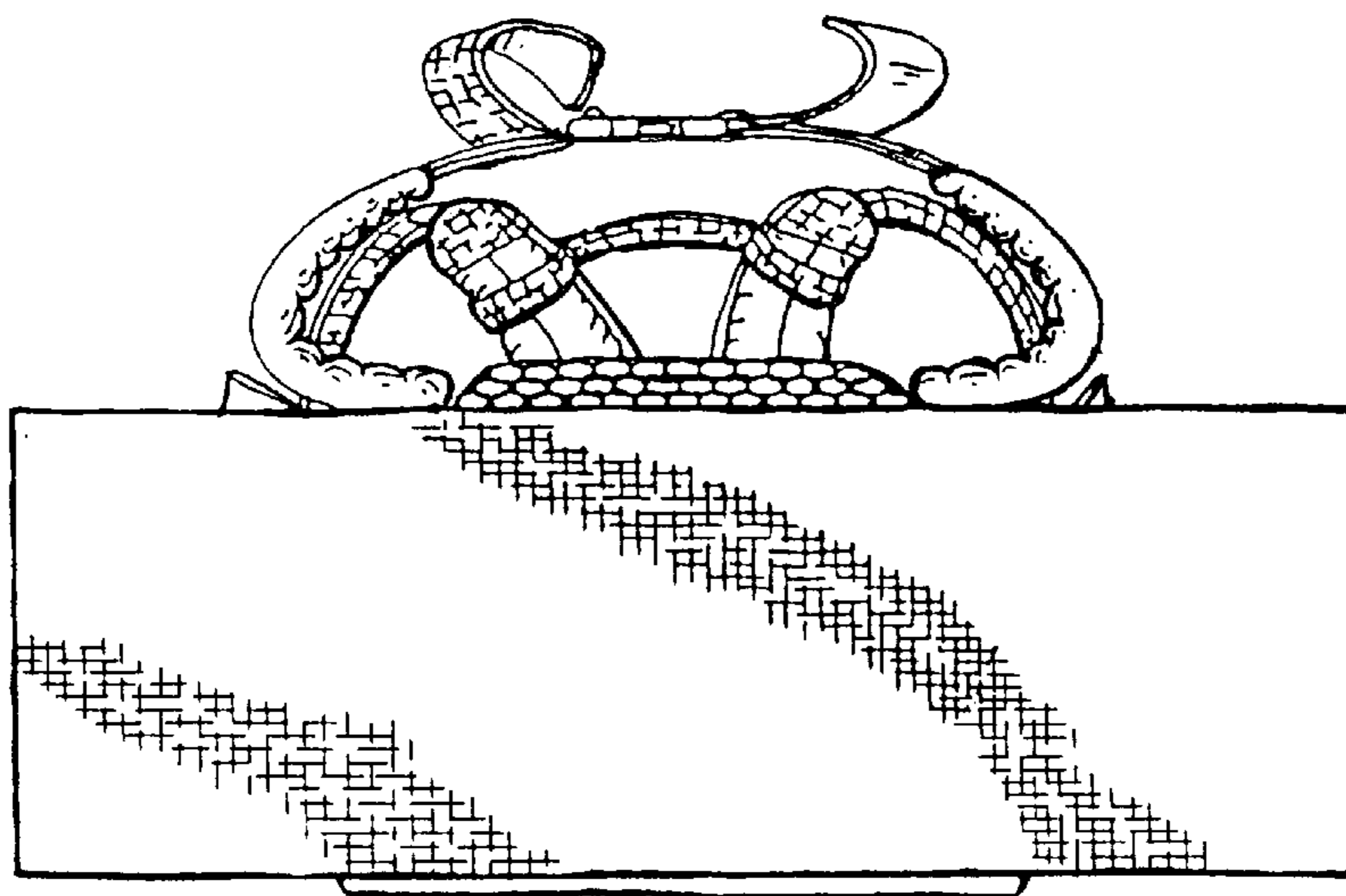


fig. 10