



US00D428237S

**United States Patent** [19]  
**Murdock**

[11] **Patent Number: Des. 428,237**  
[45] **Date of Patent: \*\* Jul. 18, 2000**

[54] **BELT WITH HIDDEN BUCKLE**  
[76] Inventor: **Matt T Murdock**, 1022 W. Sinto #F,  
Spokane, Wash. 99201  
[\*\*] Term: **14 Years**  
[21] Appl. No.: **29/098,298**  
[22] Filed: **Dec. 23, 1998**  
[51] **LOC (7) Cl.** ..... **02-07**  
[52] **U.S. Cl.** ..... **D2/627**  
[58] **Field of Search** ..... D2/624, 625, 627;  
D11/200, 201, 212; 2/221, 301, 322, 312,  
338; 24/164, 176

2,342,210 2/1944 Murphey ..... 2/322  
3,438,063 4/1969 Loston ..... 2/322  
3,828,370 8/1974 Ihmels ..... 2/322

*Primary Examiner*—Paula A. Mortimer  
*Attorney, Agent, or Firm*—David S. Thompson

[57] **CLAIM**

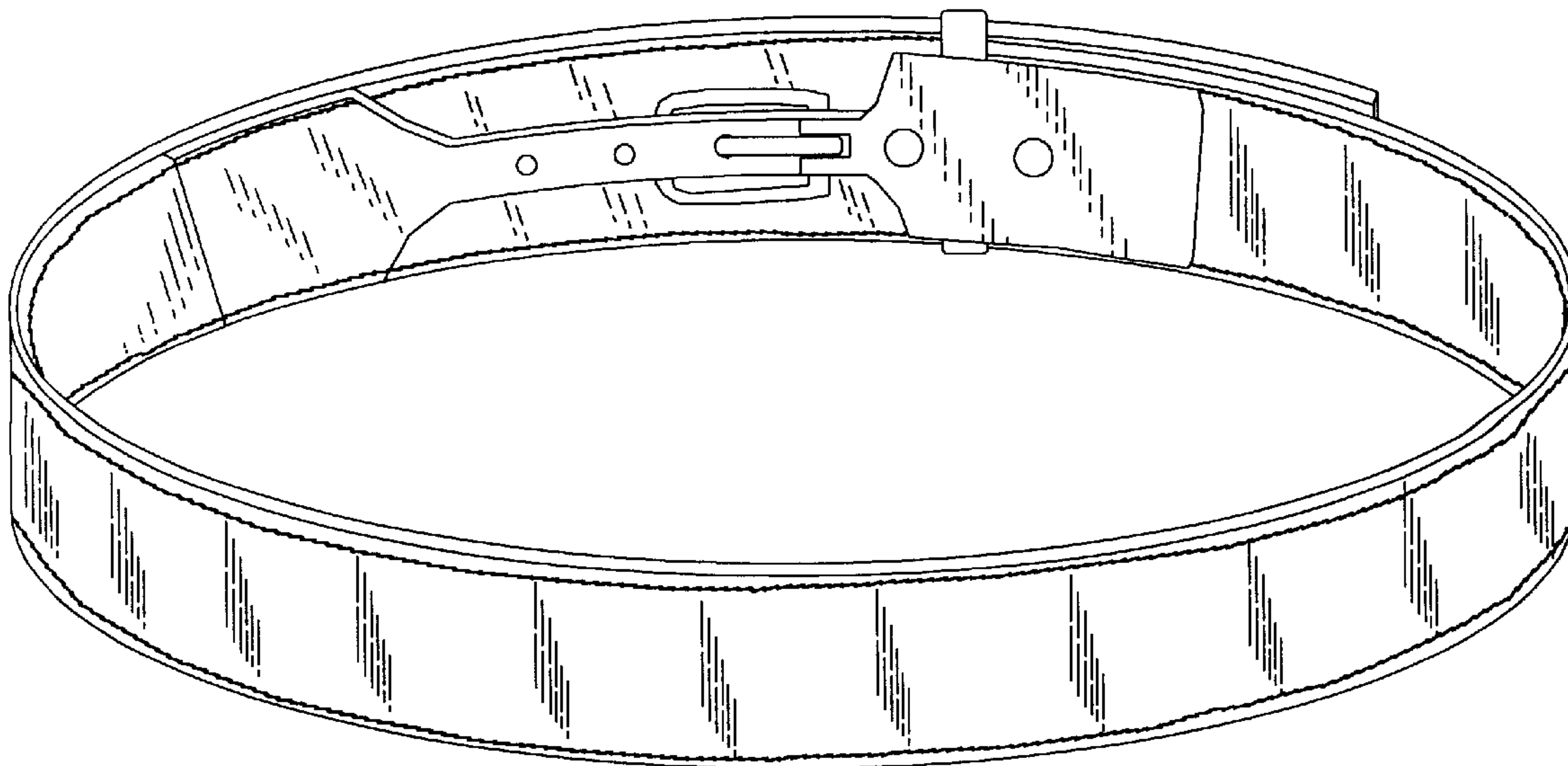
The ornamental design for a belt with hidden buckle, as shown and described.

**DESCRIPTION**

FIG. 1 is a front elevational view of a belt with hidden buckle showing my new design;  
FIG. 2 is a top perspective view of the belt of FIG. 1.  
FIG. 3 is a bottom perspective view of the belt of FIG. 1.  
FIG. 4 is a left side elevational view of FIG. 1;  
FIG. 5 is a right side elevational view of FIG. 1;  
FIG. 6 is a rear elevational view of FIG. 1; and,  
FIG. 7 is a top plan view of FIG. 1, the bottom is a mirror image.

[56] **References Cited**  
**U.S. PATENT DOCUMENTS**  
153,955 8/1874 Herrmann ..... 2/301  
D. 207,770 5/1967 Loston ..... D2/627  
534,256 2/1895 Fosdick ..... 2/312  
984,570 2/1911 Kuhn ..... 2/301  
1,826,563 10/1931 Mix ..... 2/312

**1 Claim, 2 Drawing Sheets**



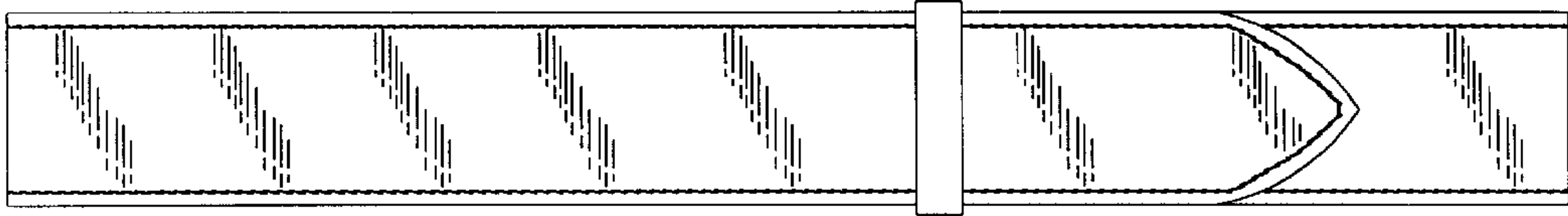


FIG. 1

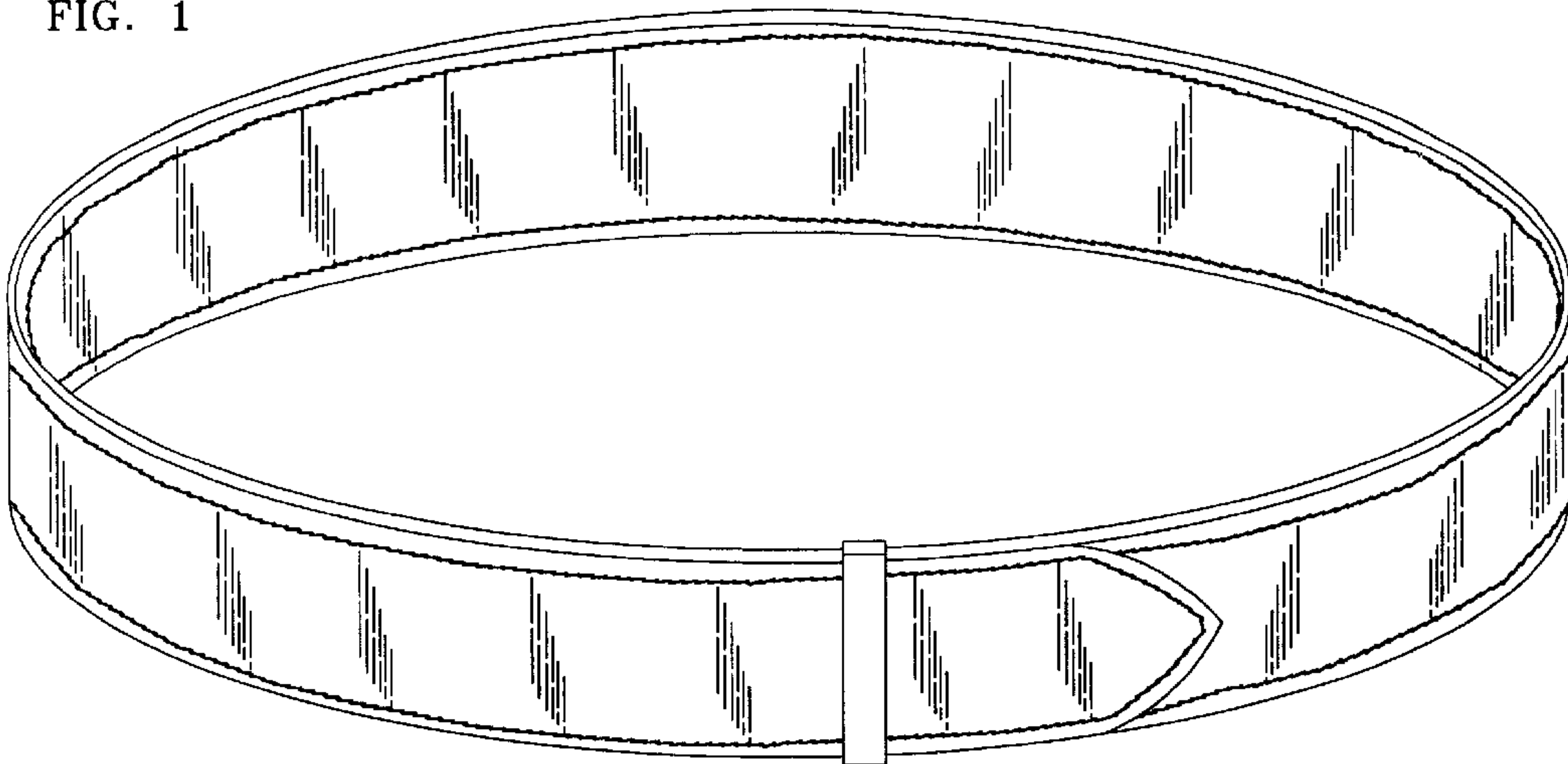


FIG. 2

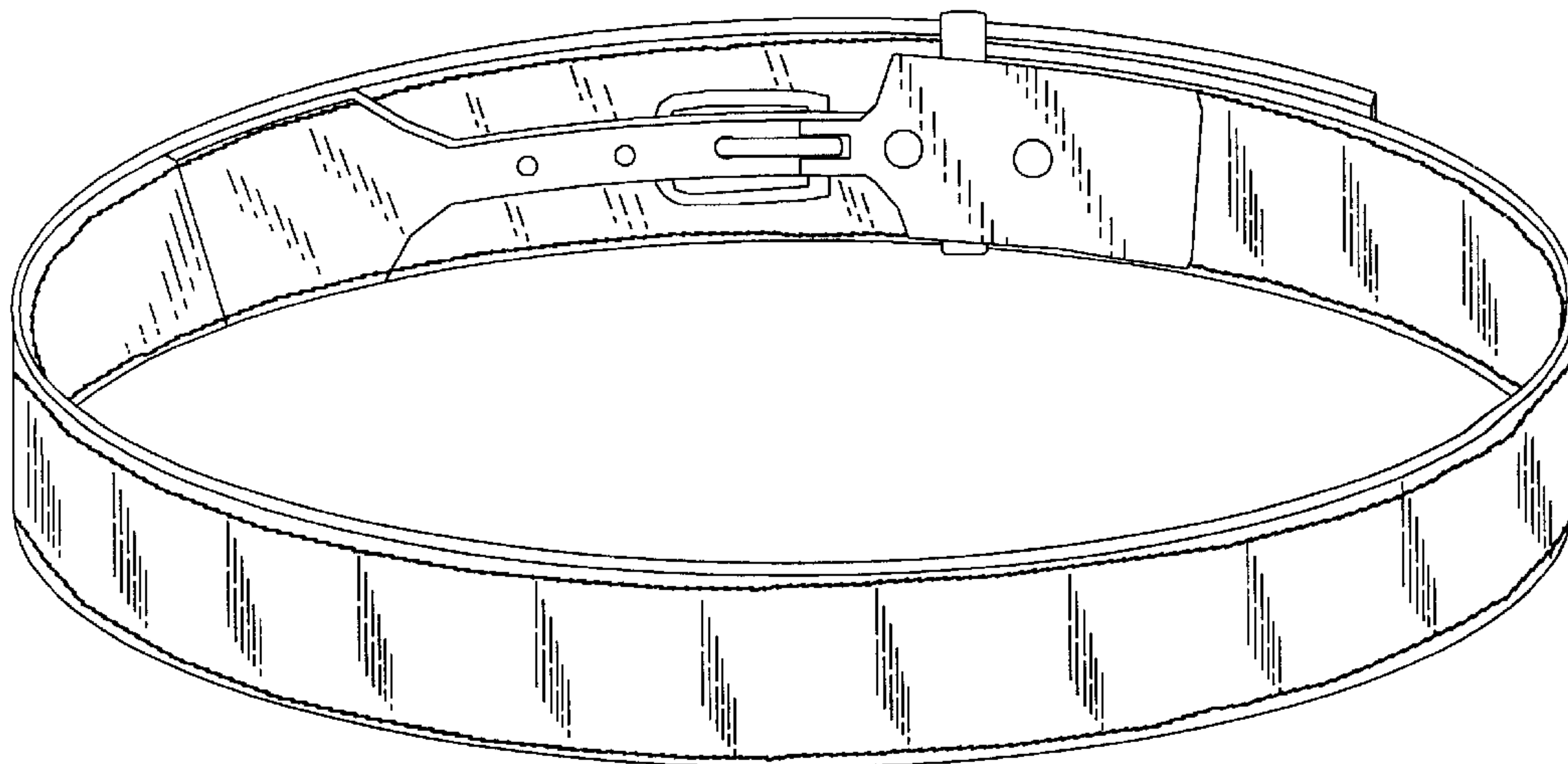


FIG. 3

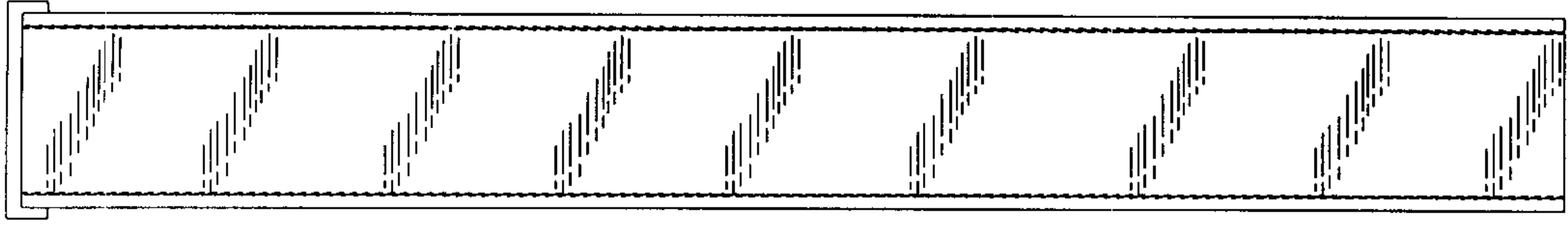


FIG. 4

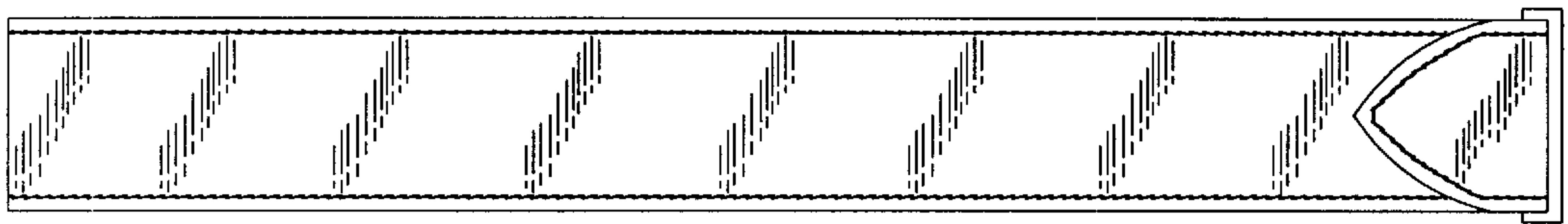


FIG. 5

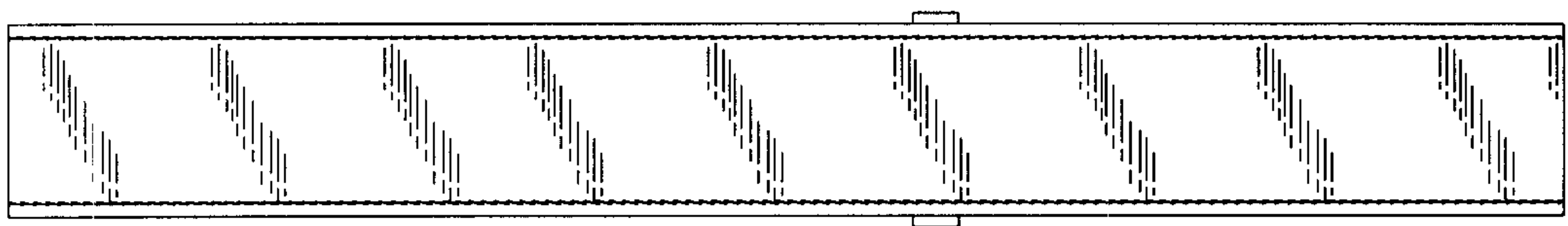


FIG. 6

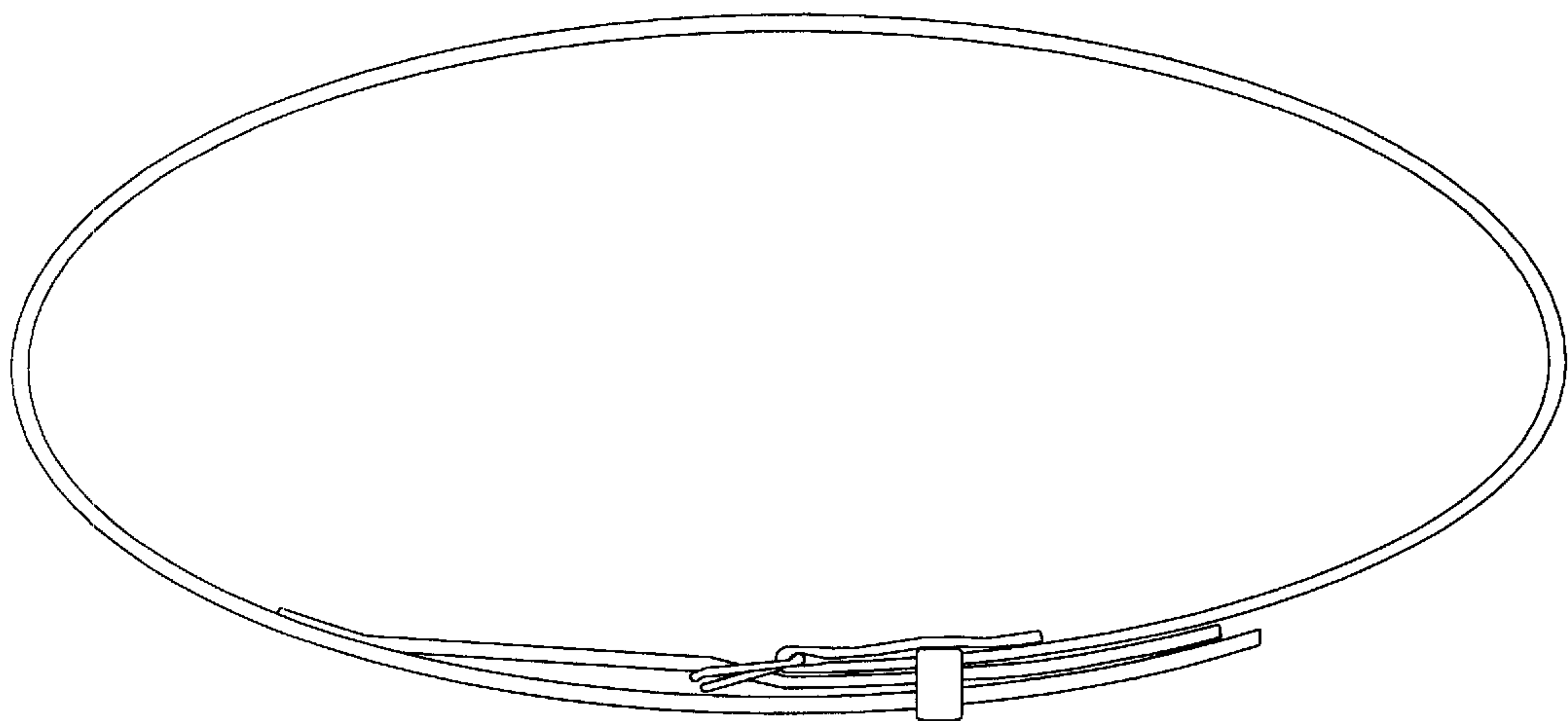


FIG. 7