



US00D428232S

United States Patent [19] Thornberg

[11] Patent Number: Des. 428,232
[45] Date of Patent: ** Jul. 18, 2000

[54] LIVESTOCK FEED SUPPLEMENT BLOCK

[75] Inventor: Robert Thornberg, Walhalla, N. Dak.

[73] Assignee: Harvest Fuel, Inc., Walhalla, N. Dak.

[**] Term: 14 Years

[21] Appl. No.: 29/102,911

[22] Filed: Apr. 5, 1999

[51] LOC (7) Cl. 01-06

[52] U.S. Cl. D1/100

[58] Field of Search D1/100, 101, 102,
D1/130, 199; D30/158, 160; 426/104, 635

[56] References Cited

U.S. PATENT DOCUMENTS

D. 99,590	5/1936	Torongo	D1/100
D. 211,845	8/1968	Bailey	D1/100
D. 352,136	11/1994	Thornberg .	
D. 372,791	8/1996	Berendsen et al.	D1/107
2,658,476	11/1953	Futter .	
2,685,398	8/1954	King .	
2,833,247	5/1958	Beyea .	
3,031,207	4/1962	Bard .	
3,035,623	5/1962	Goetz .	
3,055,529	9/1962	Cameron et al. .	
3,164,252	1/1965	Hosbein .	
3,279,640	10/1966	Dodson .	
3,348,722	10/1967	Trevarro, Jr. .	
3,521,777	7/1970	Vik .	
3,602,368	8/1971	Gould .	
3,804,289	4/1974	Churan .	
3,812,995	5/1974	Lewis .	
3,844,427	10/1974	Miller-Luscombe et al. .	
3,942,670	3/1976	Mingus et al. .	
3,949,877	4/1976	Santoni .	
4,007,694	2/1977	Fowler et al. .	
4,014,452	3/1977	Galer .	
4,221,818	9/1980	Schroeder .	
4,257,527	3/1981	Snyder et al. .	
4,286,723	9/1981	Schutz .	

4,437,432	3/1984	Immeyer et al. .
4,664,260	5/1987	Stokes .
4,731,249	3/1988	Findley .
4,928,839	5/1990	Kruelskie .
5,006,357	4/1991	Bert .
5,044,502	9/1991	Hale .
5,048,679	9/1991	Thomas .
5,071,028	12/1991	Murphy .
5,105,947	4/1992	Wise .
5,226,558	7/1993	Whitney et al. .
5,332,099	7/1994	Thornberg .
5,466,115	11/1995	Thornberg .
5,622,739	4/1997	Benton et al. .

FOREIGN PATENT DOCUMENTS

1495012	12/1977	European Pat. Off. .
1117219	5/1956	France .

OTHER PUBLICATIONS

Stubbs Stable Equipment product advertisement.
U.S. application No. 29/091,516; Thornberg, filed Jul. 1998.
U.S. application No. 09/244,871; Thornberg, filed Feb. 1999.

Primary Examiner—Alan P. Douglas
Assistant Examiner—Linda Brooks
Attorney, Agent, or Firm—Fredrikson & Byron, P.A.

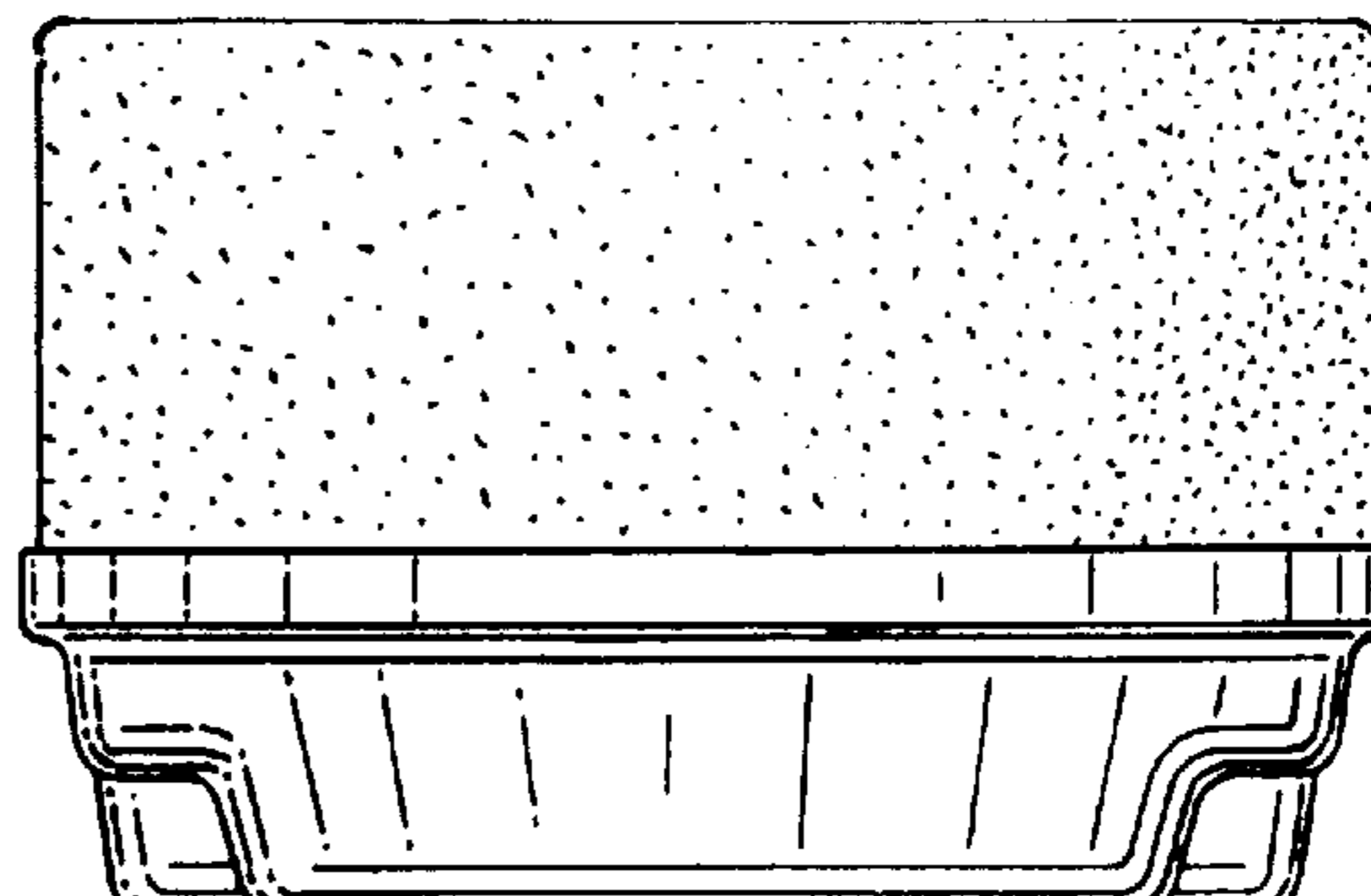
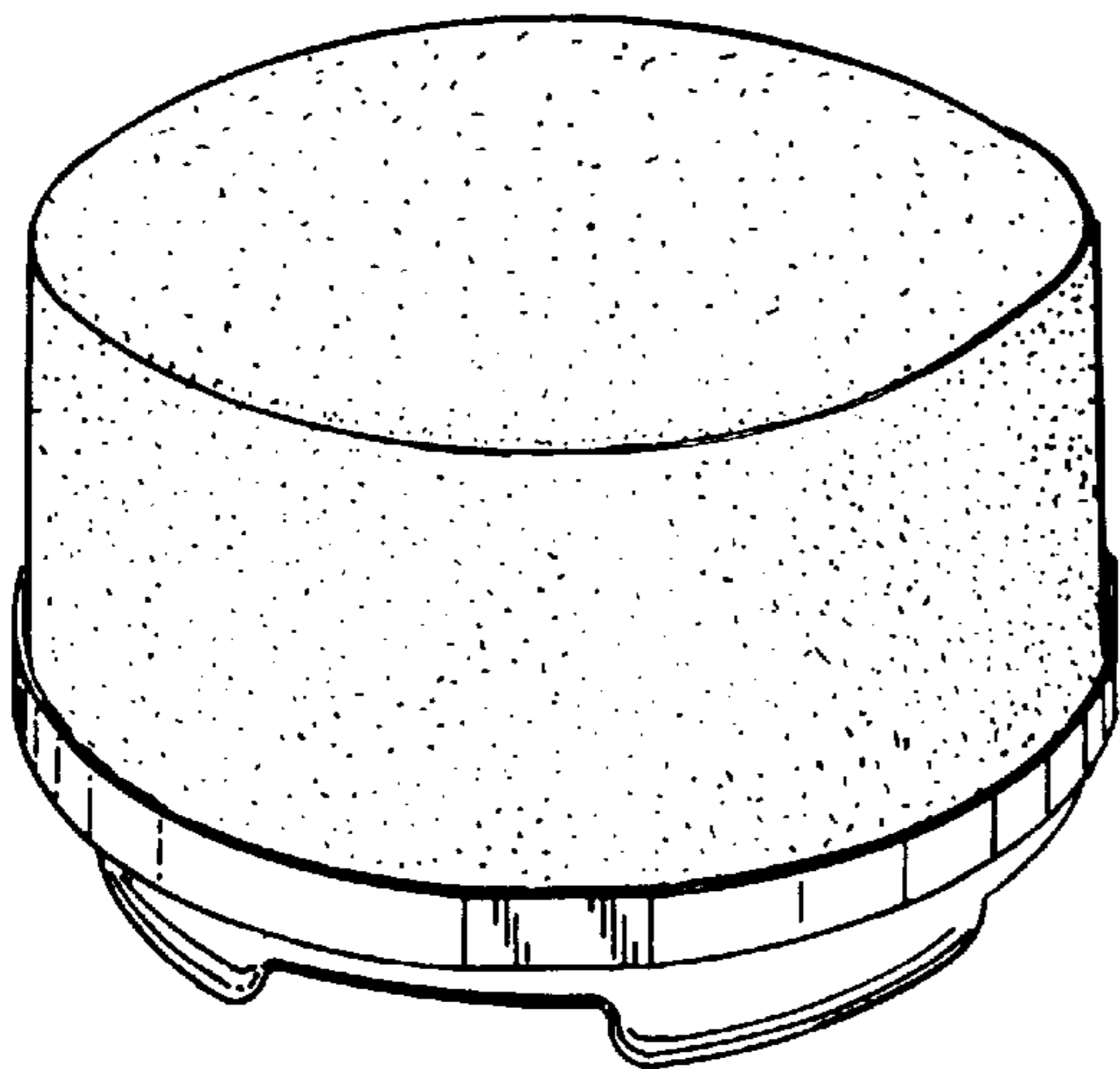
[57] CLAIM

The ornamental design for a livestock feed supplement block, as shown.

DESCRIPTION

FIG. 1 is a perspective view of the livestock feed block base of my invention;
FIG. 2 is a top view thereof;
FIG. 3 is a front side view thereof;
FIG. 4 is a left side view thereof;
FIG. 5 is a right side view thereof;
FIG. 6 is a rear view thereof; and,
FIG. 7 is a bottom view thereof.

1 Claim, 2 Drawing Sheets



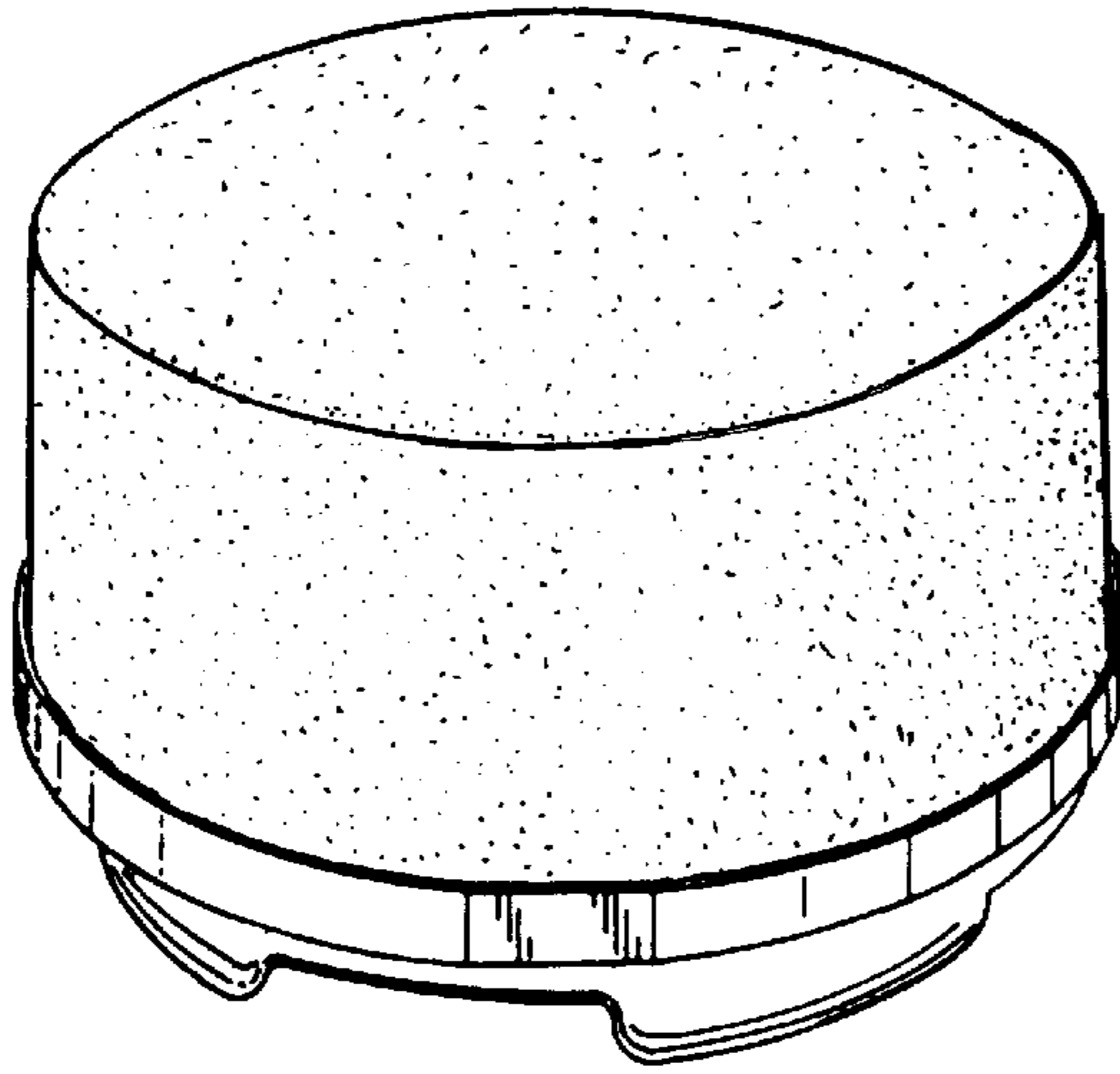


Fig. 1

Fig. 2

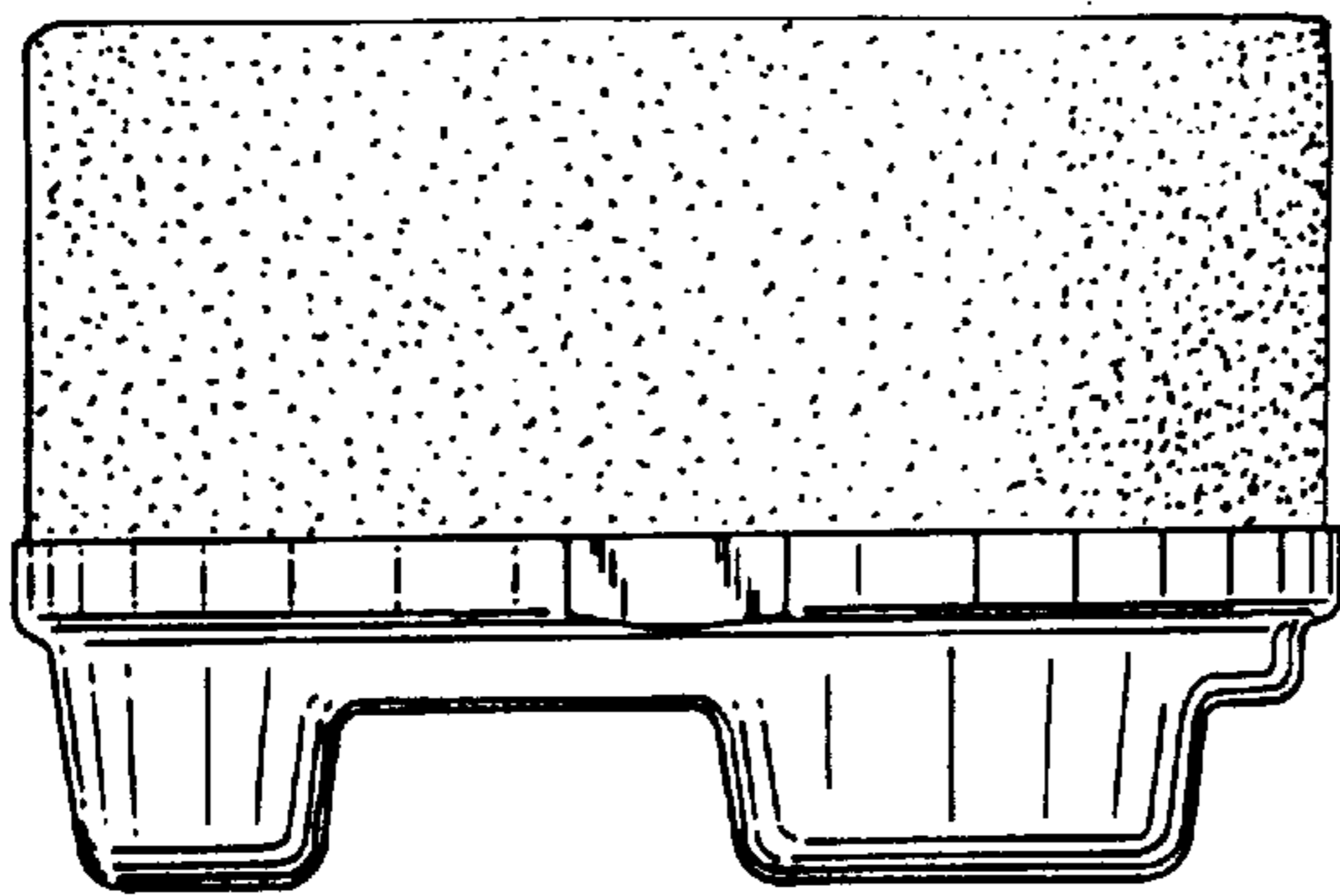
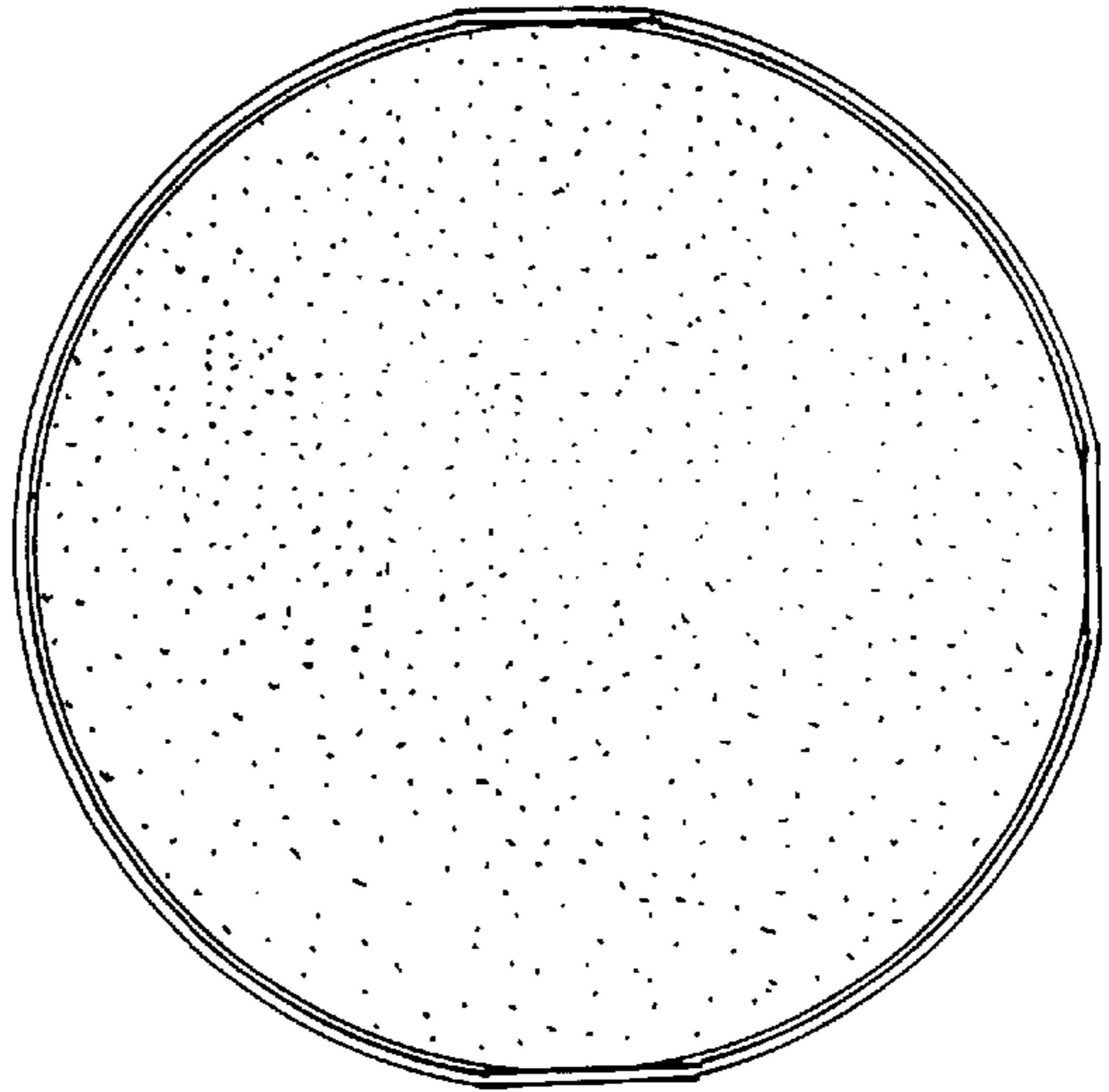
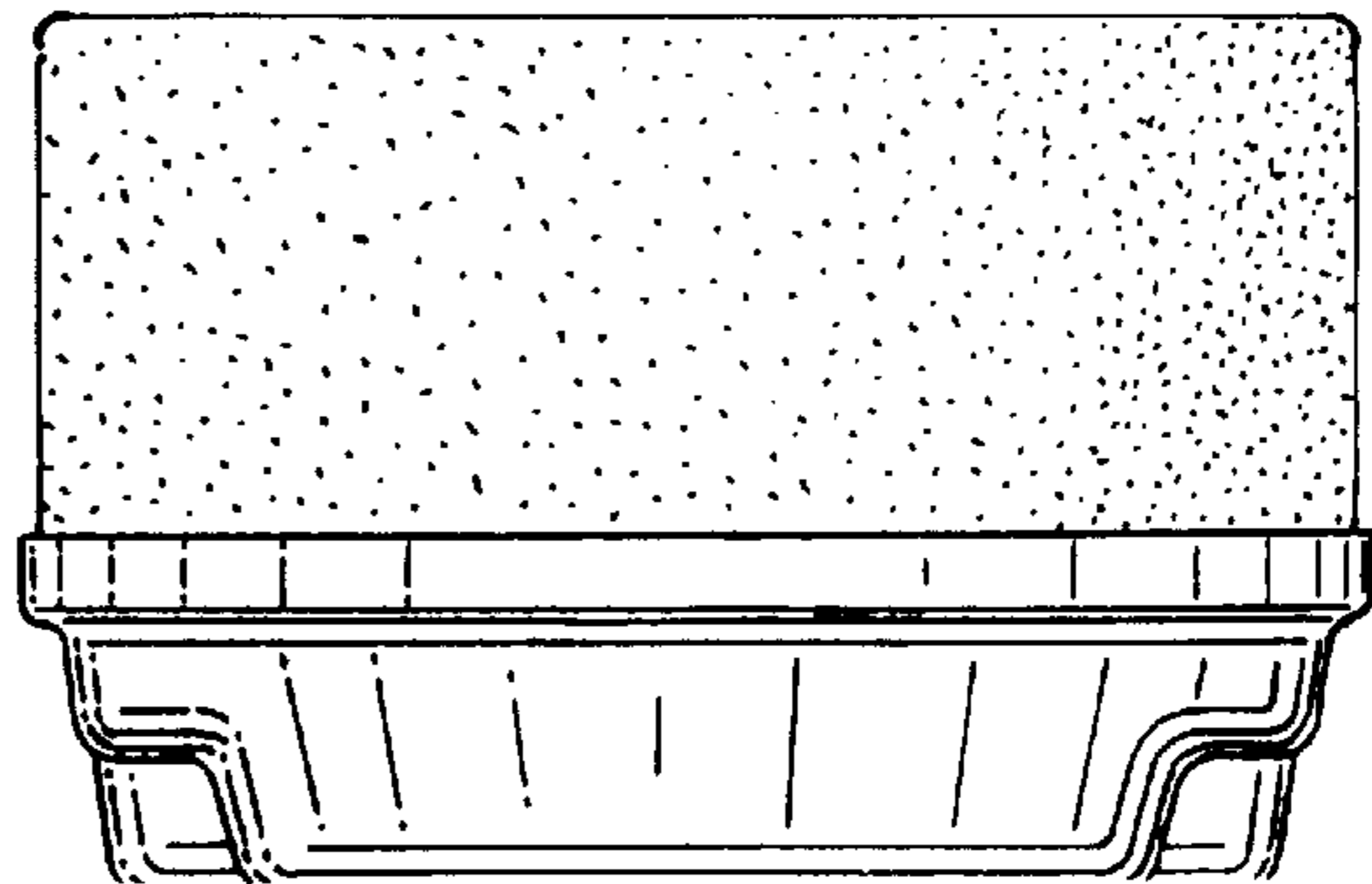


Fig. 3

Fig. 4



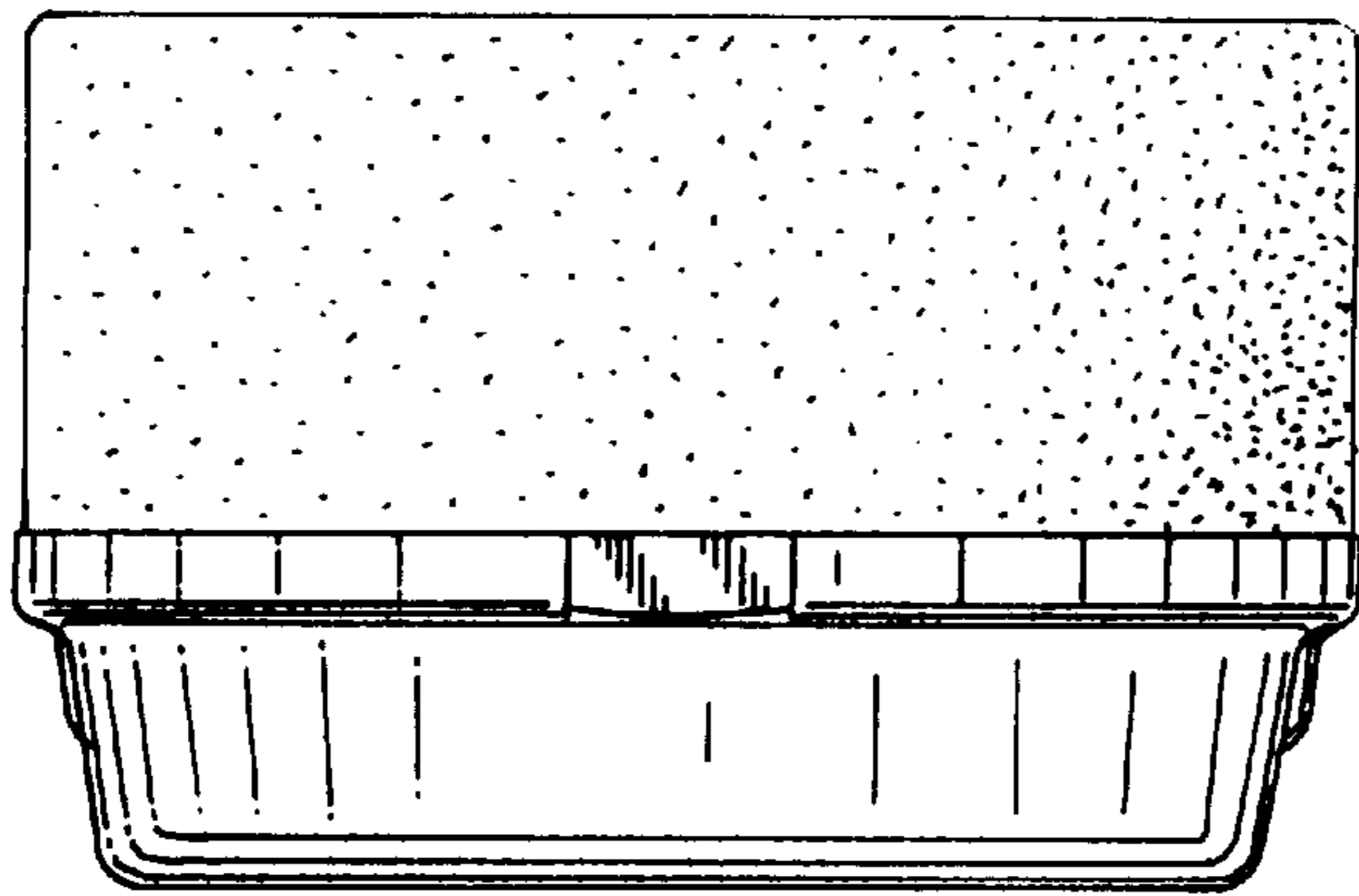


Fig. 5

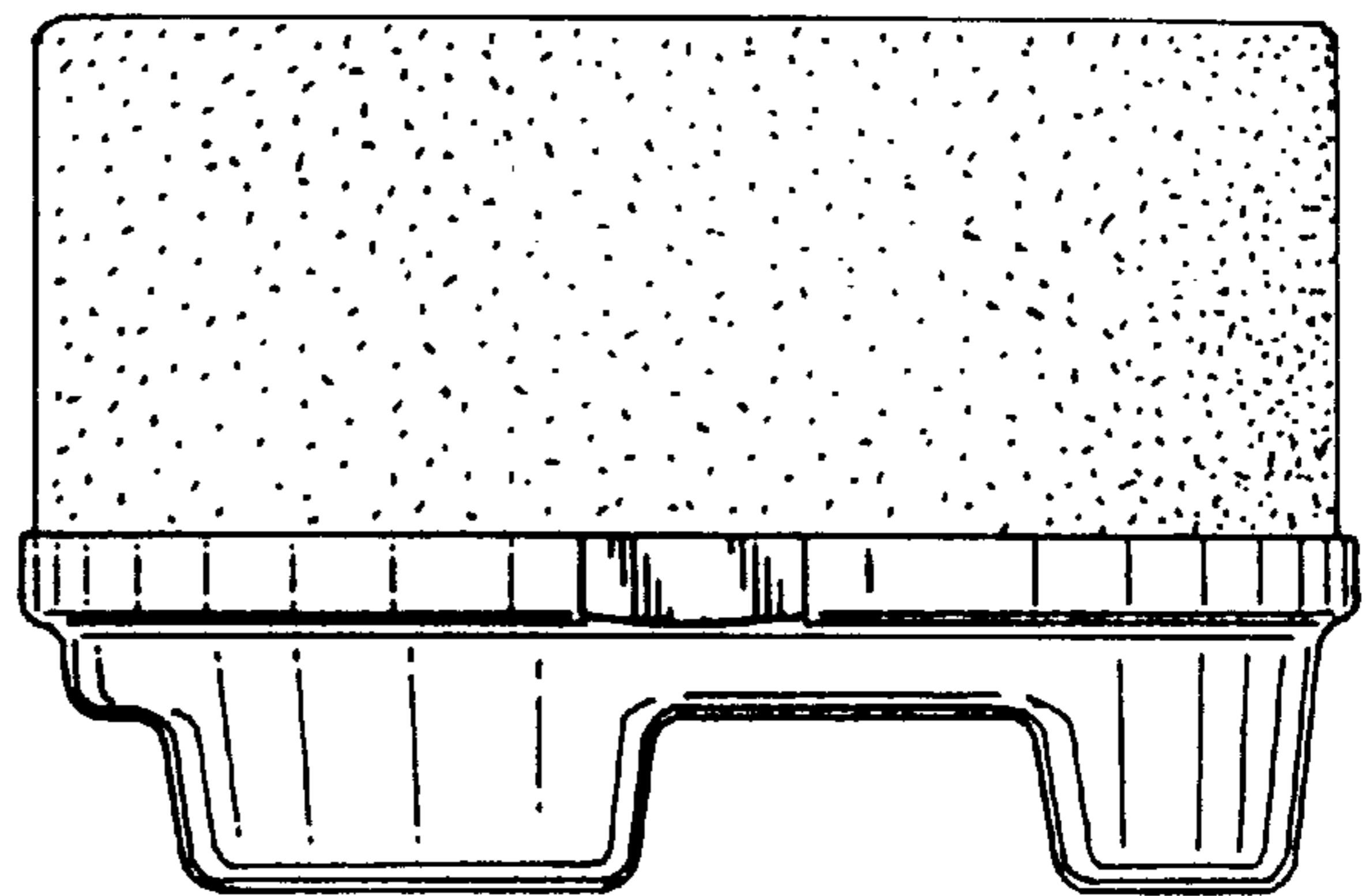


Fig. 6

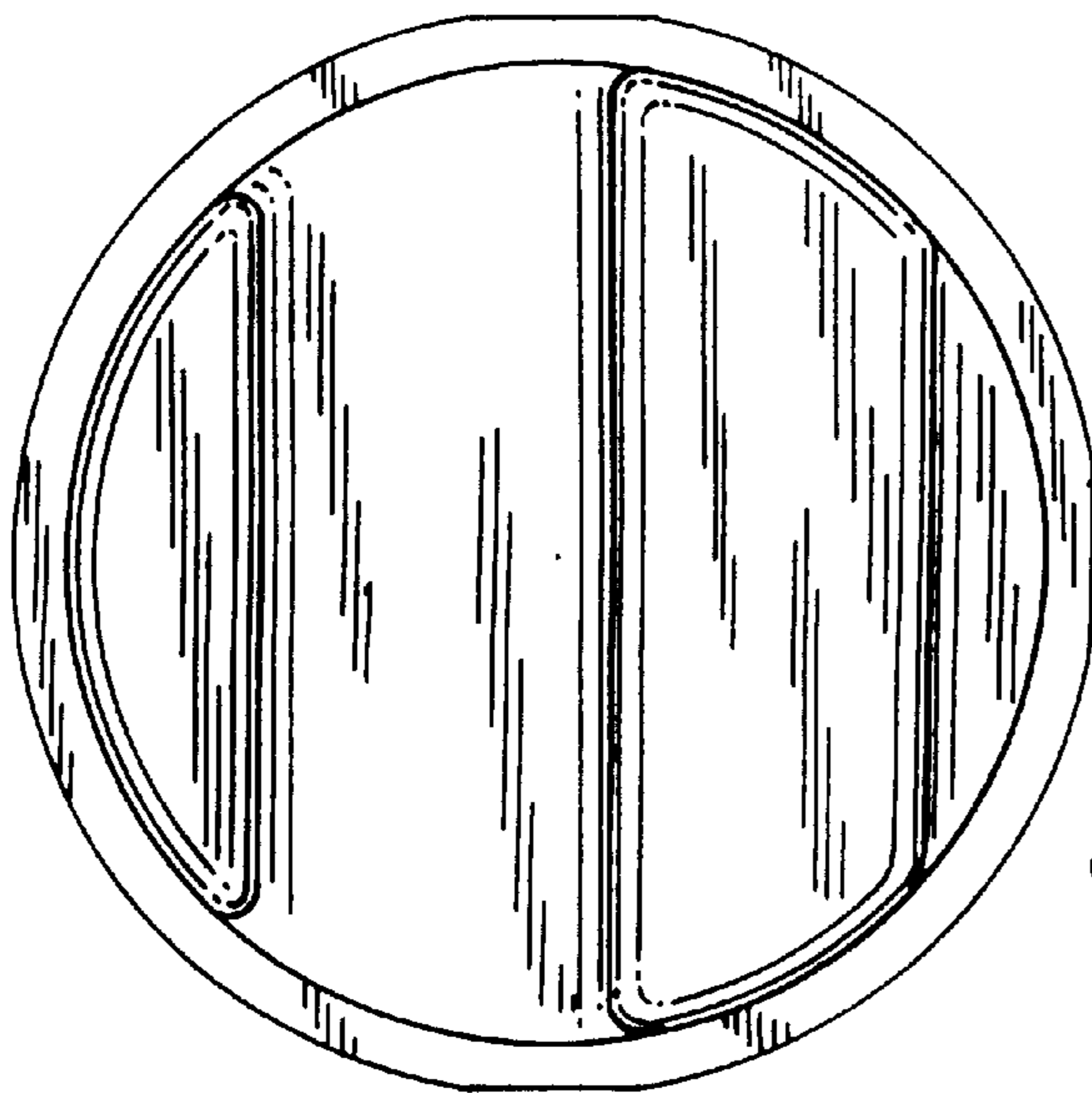


Fig. 7