



US00D428230S

**United States Patent** [19]  
**Woodbridge**

[11] **Patent Number: Des. 428,230**  
[45] **Date of Patent: \*\* Jul. 11, 2000**

[54] **MOBILE FRAME FOR OIL CATCHMENT BUCKET AND TRAY**

[76] Inventor: **Jeffrey A. Woodbridge**, 1600 Maddux Ave., Modesto, Calif. 95358

[\*\*] Term: **14 Years**

[21] Appl. No.: **29/106,972**

[22] Filed: **Jun. 24, 1999**

[51] **LOC (7) Cl.** ..... **12-02**

[52] **U.S. Cl.** ..... **D34/23; D34/17**

[58] **Field of Search** ..... D34/12-27; 248/188.7, 248/158, 413, 354.5, 188.5

[56] **References Cited**

**U.S. PATENT DOCUMENTS**

D. 207,705	5/1967	Allen	.....	D34/23
4,448,378	5/1984	Binfare	.....	248/188.7
4,520,981	6/1985	Harrigan	.....	248/413
4,653,710	3/1987	Dickison	.....	248/188.7
5,445,352	8/1995	Long	.....	248/354.5

*Primary Examiner—Kay H. Chin*  
*Attorney, Agent, or Firm—Lothrop & West*

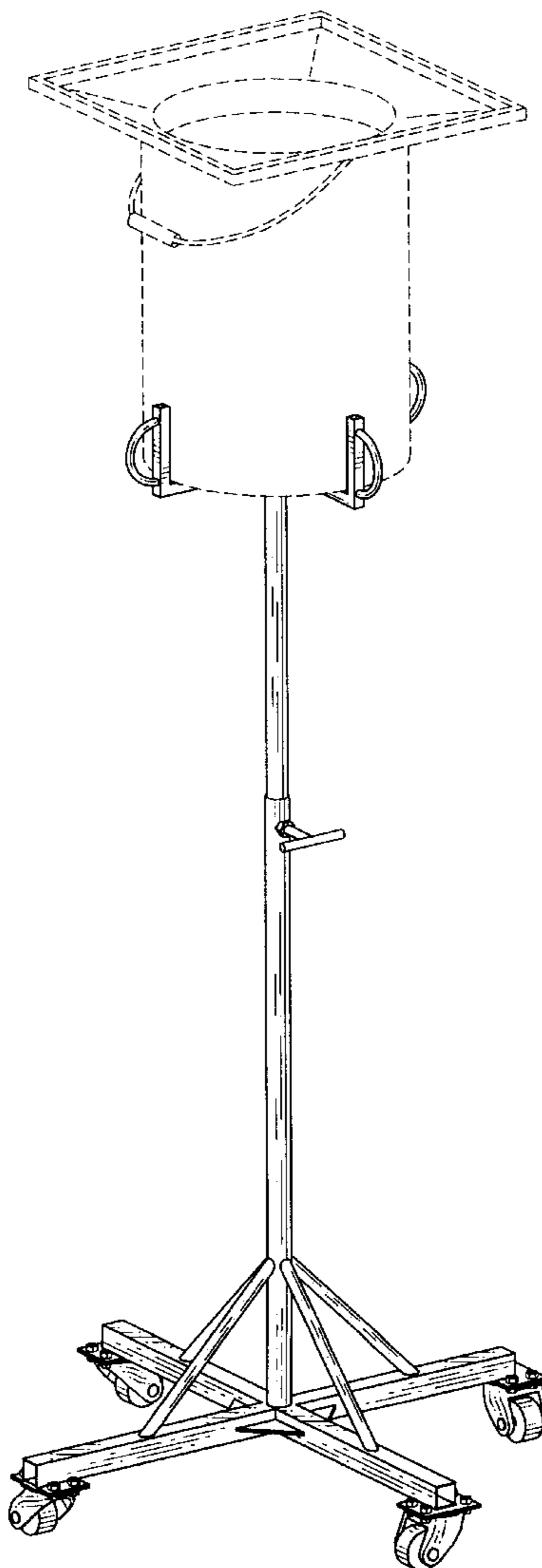
[57] **CLAIM**

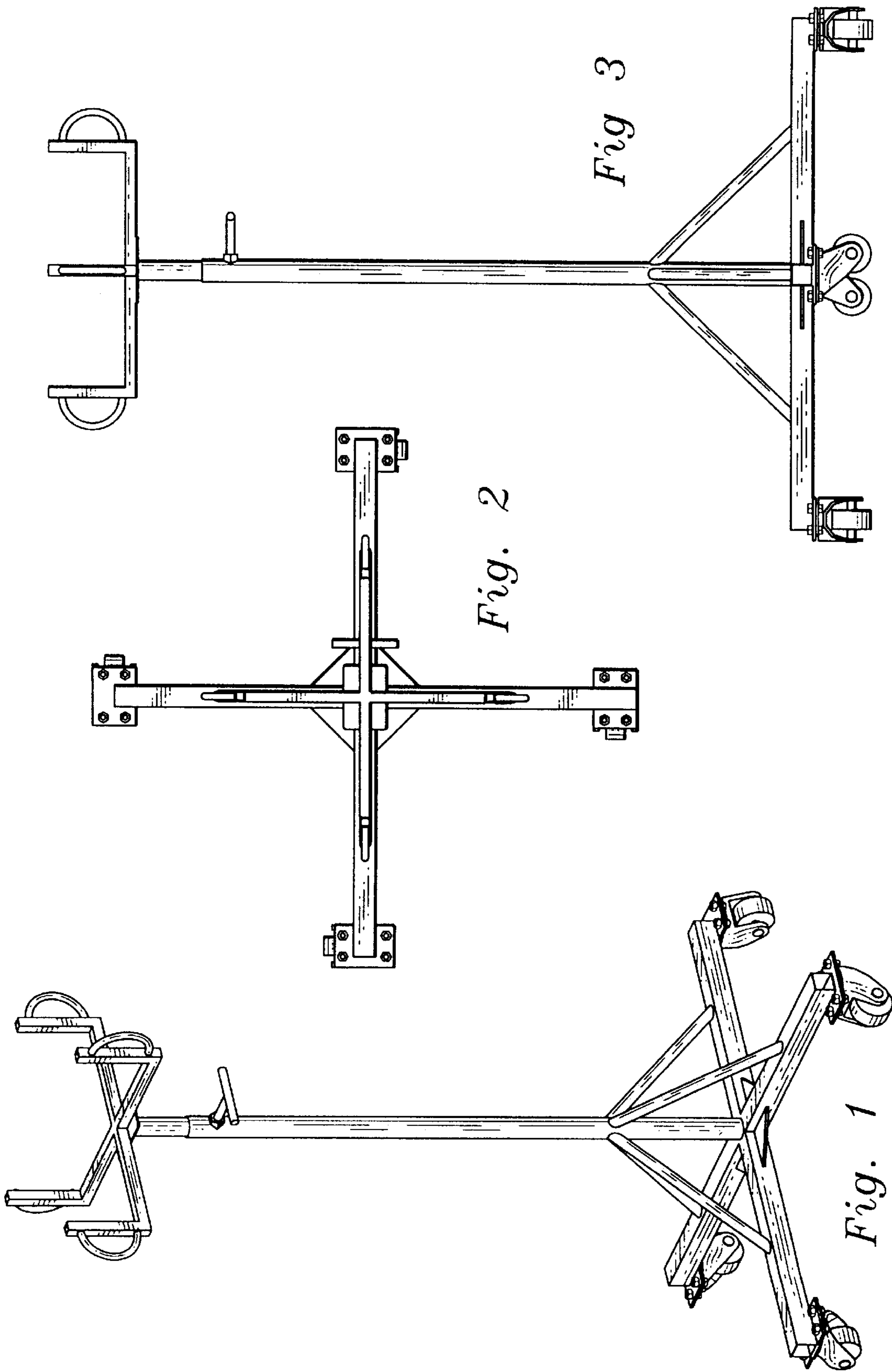
The ornamental design for an mobile frame oil catchment bucket and tray, as shown and described.

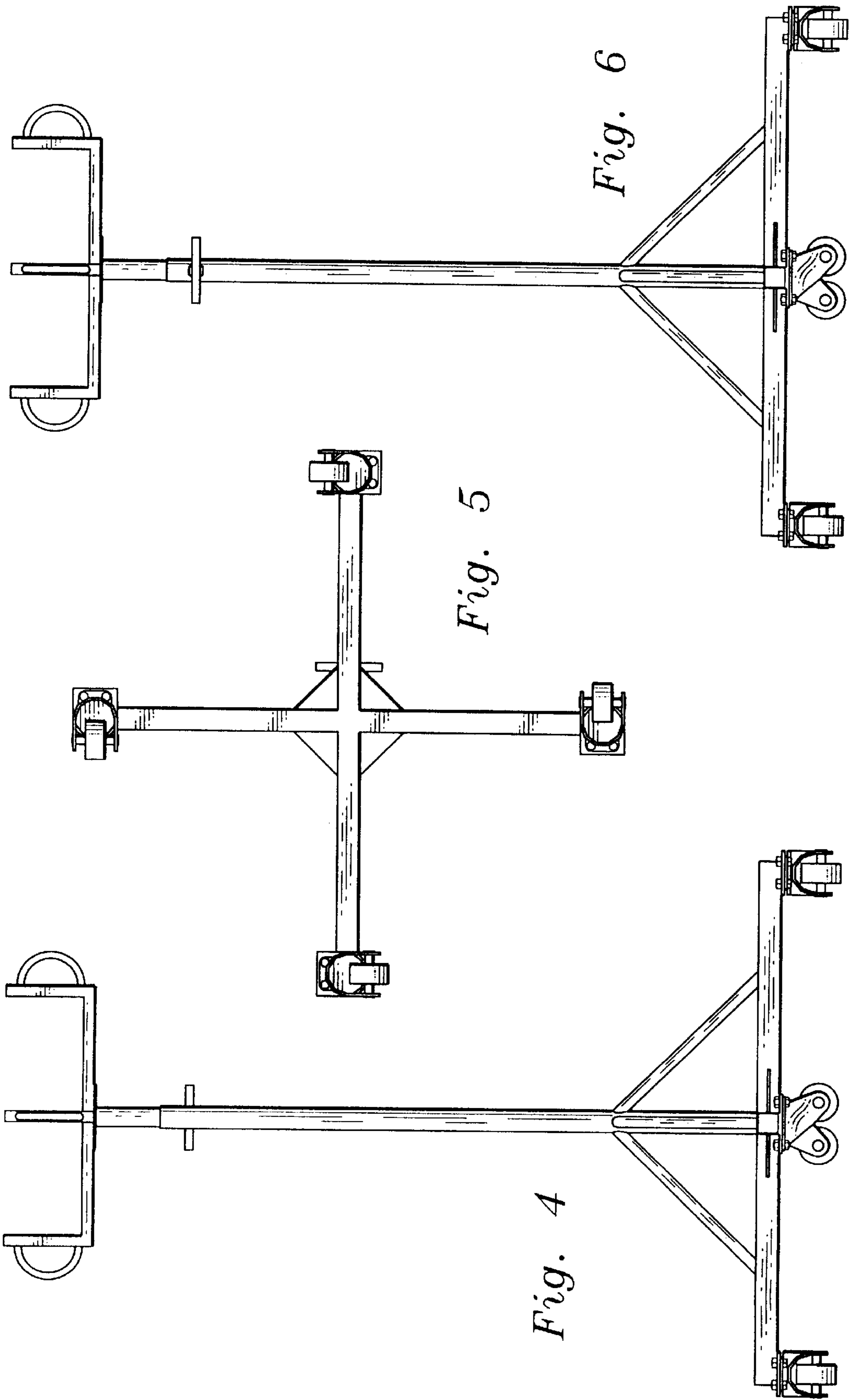
**DESCRIPTION**

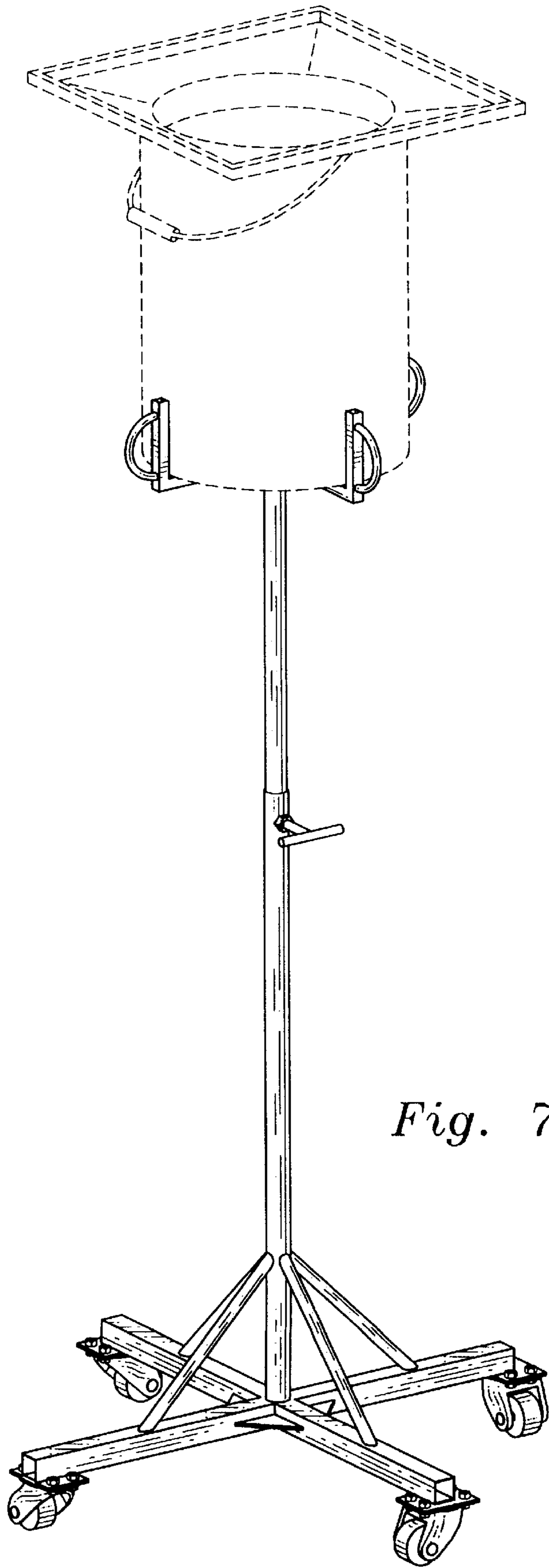
FIG. 1 is a perspective view of a mobile frame for oil catchment bucket and tray, showing my new design; FIG. 2 is a top plan view thereof; FIG. 3 is a side elevational view thereof; FIG. 4 is a side elevational view taken from the left hand side of the article as shown in FIG. 3; FIG. 5 is a bottom plan view thereof; FIG. 6 is a side elevational view taken from the right hand side of the article as shown in FIG. 3; and, FIG. 7 is a perspective view as in FIG. 1, but showing the bucket holder to an expanded scale, in an alternative, raised position, the broken line representative of an oil catchment bucket and tray being included solely for illustrative purposes, forming no part of the claimed design.

**1 Claim, 3 Drawing Sheets**









*Fig. 7*