



US00D428226S

United States Patent [19]
Kunkler

[11] **Patent Number: Des. 428,226**
[45] **Date of Patent: ** Jul. 11, 2000**

[54] **CLEANING IMPLEMENT**

[75] Inventor: **Jeffery Scott Kunkler**, Chicago, Ill.

[73] Assignee: **The Procter & Gamble Company**, Cincinnati, Ohio

[**] Term: **14 Years**

[21] Appl. No.: **29/097,130**

[22] Filed: **Nov. 30, 1998**

[51] **LOC (7) Cl.** **15-05**

[52] **U.S. Cl.** **D32/45; D32/50**

[58] **Field of Search** D32/21-24, 31-34, D32/50-51, 45, 40; 15/320-321, 344, 329, 350-352, 50.1, 228, 118, 119.2, 115, 116.2; 401/137, 138, 139, 140

[56] **References Cited**

U.S. PATENT DOCUMENTS

| | | | | |
|------------|---------|-----------------|-------|--------|
| D. 287,173 | 12/1986 | Libman | | D32/51 |
| D. 296,486 | 6/1988 | Staubitz et al. | | D32/22 |
| D. 313,879 | 1/1991 | Ito | | D32/22 |
| D. 388,684 | 1/1998 | Irwin | | 8/303 |
| D. 391,715 | 3/1998 | Irwin et al. | | D32/50 |
| D. 396,908 | 8/1998 | Beechuk et al. | | D32/45 |
| D. 398,099 | 9/1998 | Leung | | D32/22 |
| D. 401,703 | 11/1998 | Beechuk et al. | | D32/45 |
| 1,715,632 | 6/1929 | Wertheimer | . | |
| 2,053,282 | 9/1936 | Gewalt | . | |
| 2,137,944 | 11/1938 | MacLeod | . | |
| 2,187,671 | 1/1940 | Suddarth | . | |
| 2,470,837 | 5/1949 | Polson | . | |
| 2,618,799 | 11/1952 | Barbato | . | |
| 3,094,152 | 6/1963 | Kenny et al. | . | |
| 3,099,028 | 7/1963 | Ardito | . | |
| 3,188,669 | 6/1965 | Beardslee | . | |
| 3,278,974 | 10/1966 | Nighswander | . | |

| | | | | |
|-----------|---------|-------------------|-------|---------|
| 4,119,386 | 10/1978 | Cushing | | 401/138 |
| 4,747,518 | 5/1988 | Laauwe | | 222/153 |
| 4,863,299 | 9/1989 | Osberghaus et al. | | 401/15 |
| 4,971,471 | 11/1990 | Sloan | | 401/203 |
| 5,092,699 | 3/1992 | Silvenis | | 401/21 |
| 5,244,124 | 9/1993 | Raffo | | 222/325 |
| 5,472,122 | 12/1995 | Appleby | | 222/212 |
| 5,636,402 | 6/1997 | Kubo et al. | | 15/98 |
| 5,735,959 | 4/1998 | Kubo et al. | | 118/663 |
| 5,888,006 | 3/1999 | Ping et al. | | 401/137 |

FOREIGN PATENT DOCUMENTS

| | | | | |
|-----------|---------|--------|-------|------|
| 65044 | 1/1990 | Canada | . | |
| 1 269 210 | 5/1990 | Canada | | 15/8 |
| 82685 | 12/1997 | Canada | . | |
| 83415 | 3/1998 | Canada | . | |
| 2225303 | 6/1998 | Canada | . | |

Primary Examiner—Ruth McInroy
Attorney, Agent, or Firm—James C. Vago; Elizabeth M. Koch

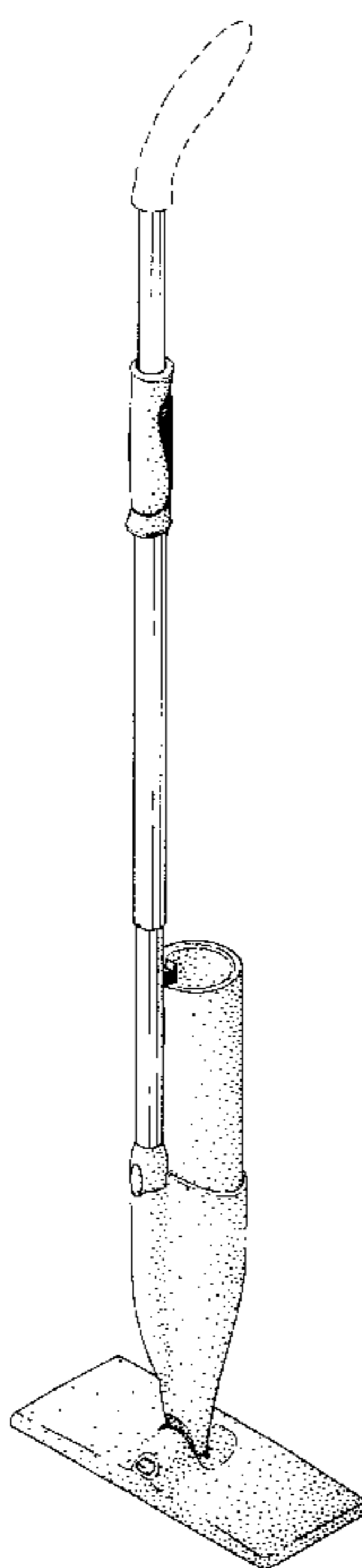
[57] **CLAIM**

The ornamental design for a cleaning implement, as shown and described.

DESCRIPTION

FIG. 1 is a perspective view of a cleaning implement, showing our new design;
FIG. 2 is a side elevational view with the opposite side being a mirror image thereof;
FIG. 3 is a top view thereof;
FIG. 4 is a front elevational view thereof;
FIG. 5 is a back elevational view thereof; and,
FIG. 6 is a bottom view thereof.
The handle shown in broken lines in FIGS. 1-5 is for illustrative purposes only and forms no part of the claimed design.

1 Claim, 2 Drawing Sheets



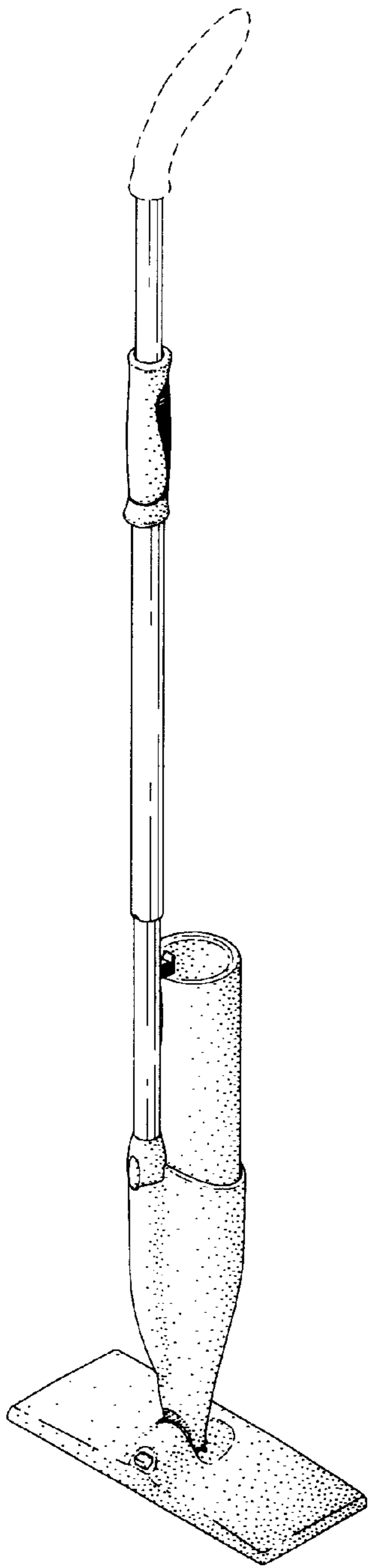


Fig. 1

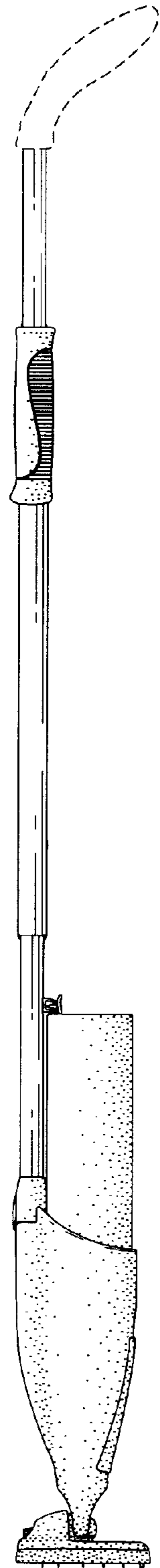


Fig. 2

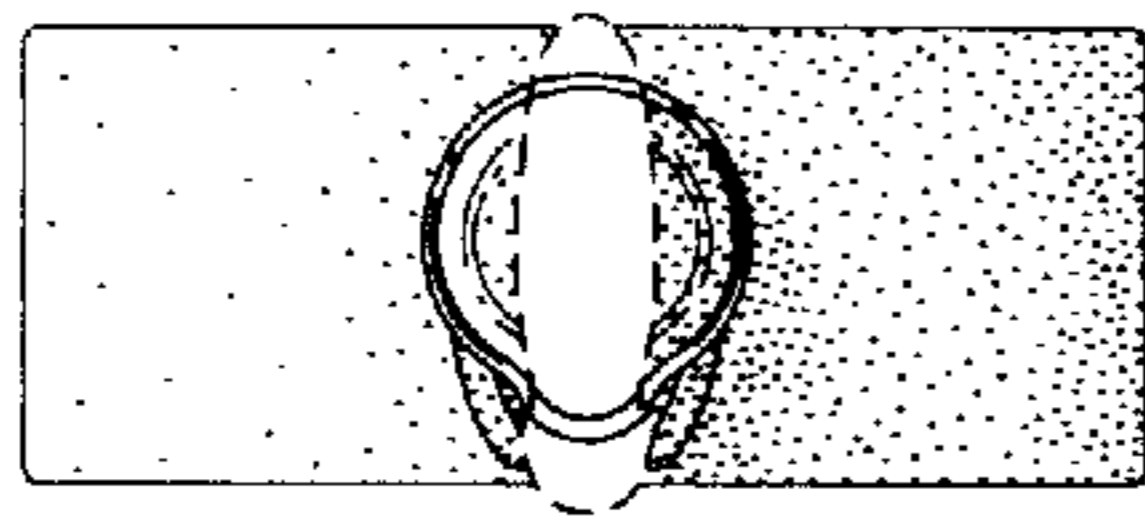


Fig. 3

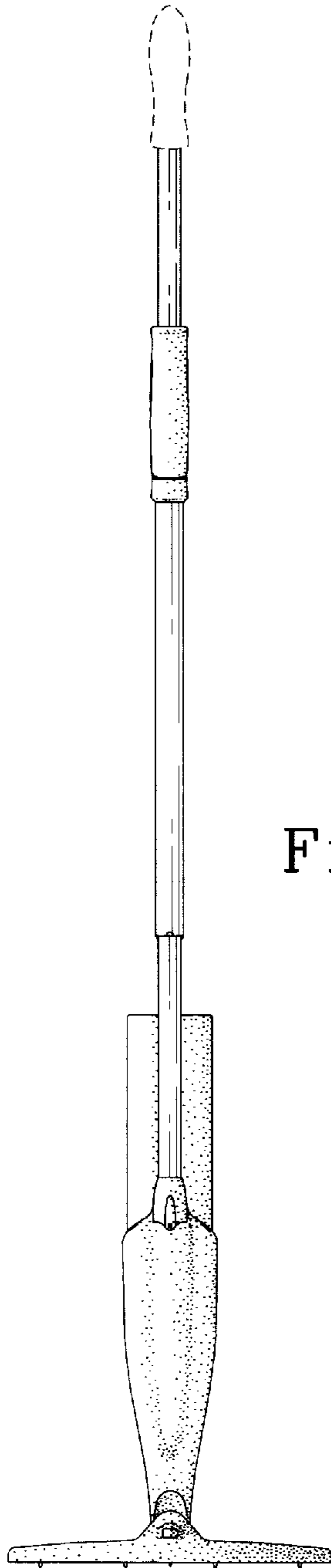


Fig. 4

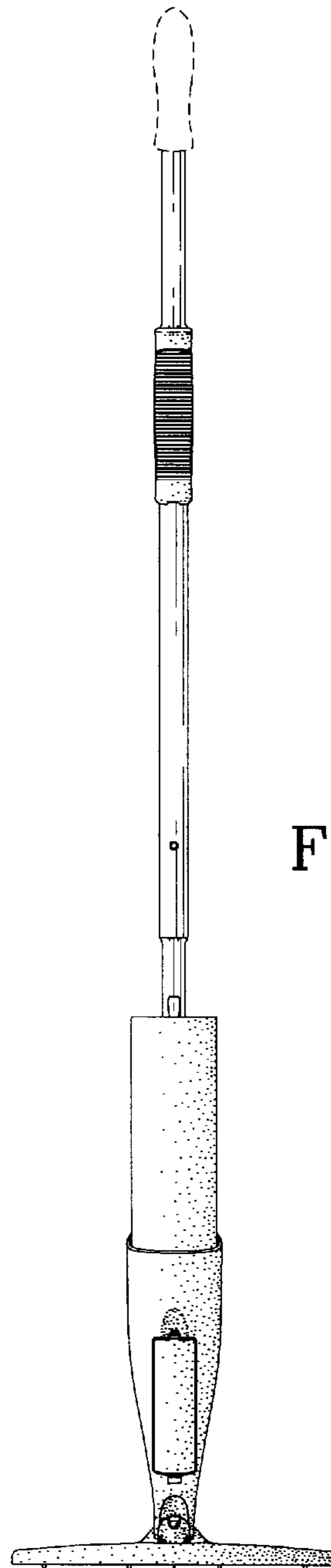


Fig. 5

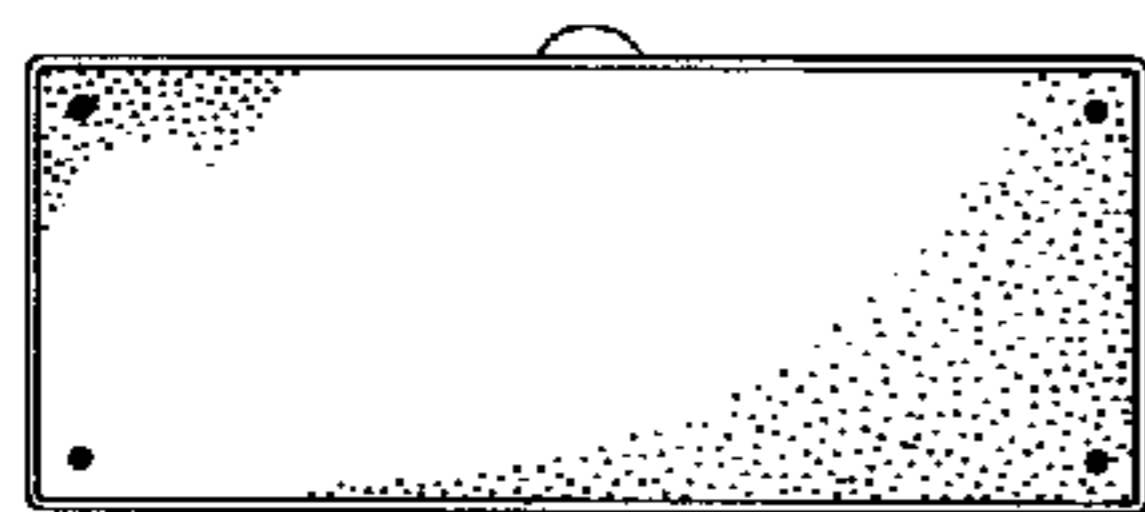


Fig. 6