



US00D428223S

United States Patent [19]

Wareham et al.

[11] Patent Number: **Des. 428,223**

[45] Date of Patent: **** Jul. 11, 2000**

[54] **SURFACE CONFIGURATION OF A MEDIAL FRONT PORTION OF A SUCTION NOZZLE**

[75] Inventors: **Richard A. Wareham; David W. Moine**, both of North Canton, Ohio

[73] Assignee: **The Hoover Company**, North Canton, Ohio

[**] Term: **14 Years**

[21] Appl. No.: **29/086,091**

[22] Filed: **Apr. 6, 1998**

Related U.S. Application Data

[62] Division of application No. 29/068,962, Apr. 16, 1997.

[51] **LOC (7) Cl.** **15-05**

[52] **U.S. Cl.** **D32/32**

[58] **Field of Search** D32/31-33, 22, D32/25, 21; 15/322, 354, 355, 358, 362, 366, 378, 383, 384, 400, 412, 414, 415.1-422, 422.1

[56] References Cited

U.S. PATENT DOCUMENTS

- D. 263,235 3/1982 Akita D32/22
- D. 269,470 6/1983 Essex D32/32
- D. 333,892 3/1993 Wareham D32/32

- D. 358,242 5/1995 McKnight D32/32
- D. 398,094 9/1998 Sato et al. D32/22
- D. 407,872 4/1999 Wareham et al. D32/31
- D. 412,227 7/1999 Wareham et al. D32/32
- D. 412,380 7/1999 Wareham D32/32
- D. 418,953 1/2000 Farone et al. D32/31
- 6,006,402 12/1999 Maurer et al. 15/383

Primary Examiner—Ruth McInroy
Attorney, Agent, or Firm—A. Burgess Lowe; Bruce P. Watson

[57] CLAIM

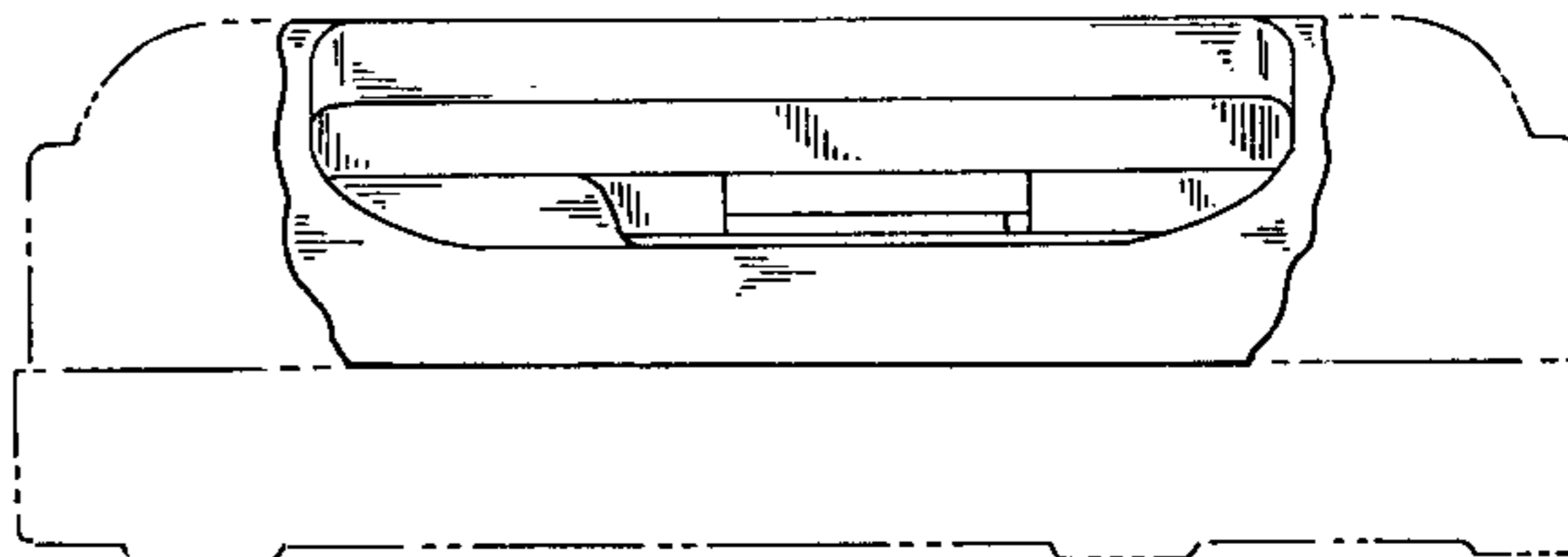
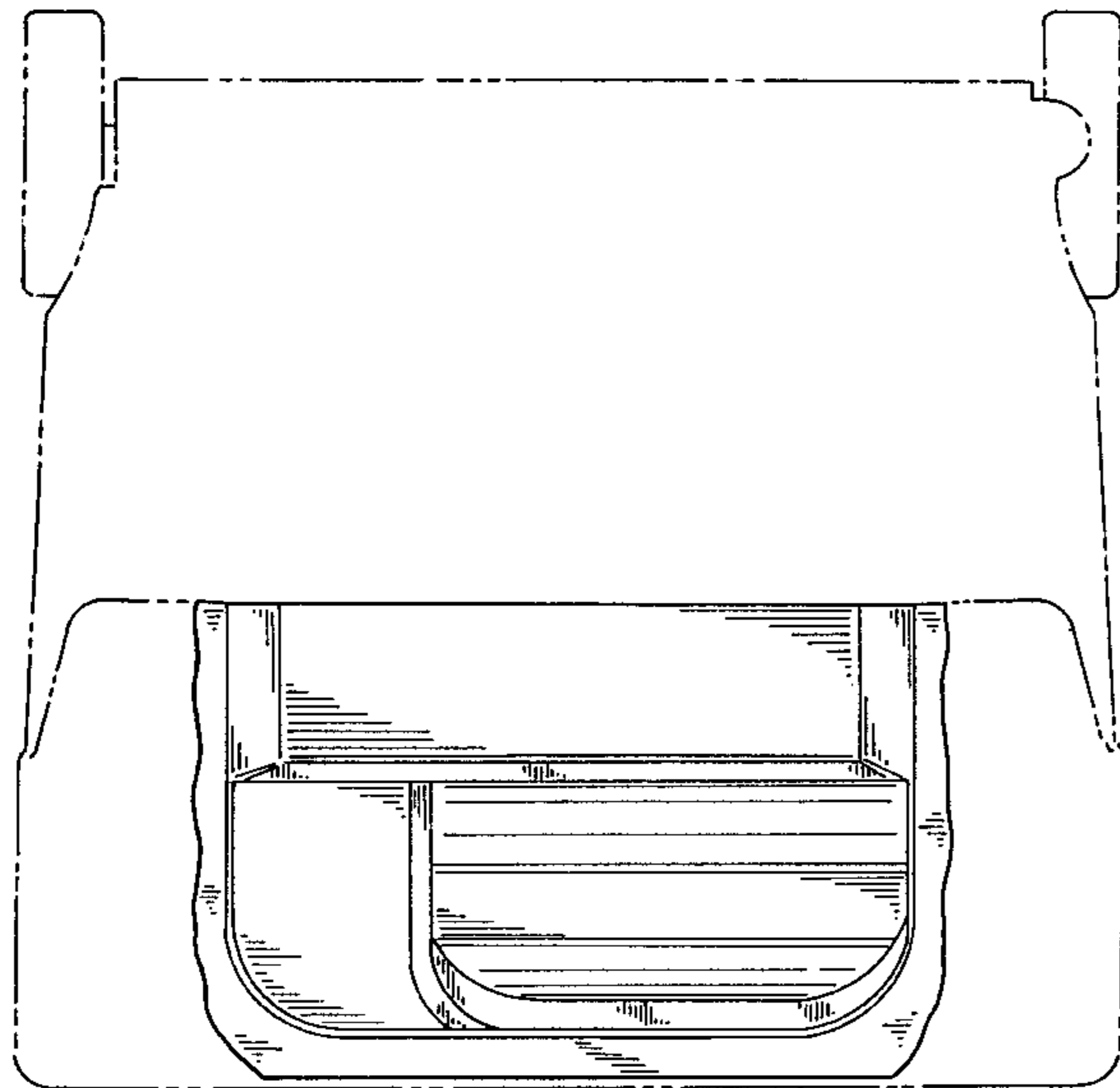
The ornamental design for a surface configuration of a medial front portion of a suction nozzle, as shown and described.

DESCRIPTION

FIG. 1 is a top plan view of a medial front portion of a suction nozzle showing our new design; FIG. 2 is a front elevational view thereof; FIG. 3 is an enlarged top plan view thereof; FIG. 4 is cross-sectional view thereof taken along line 4—4 in FIG. 3; and, FIG. 5 is a cross-sectional view thereof taken along line 5—5 in FIG. 3.

The portions shown in broken lines in FIGS. 1 through 5 are shown for illustrative purposes only and form no part of the claimed design.

1 Claim, 3 Drawing Sheets



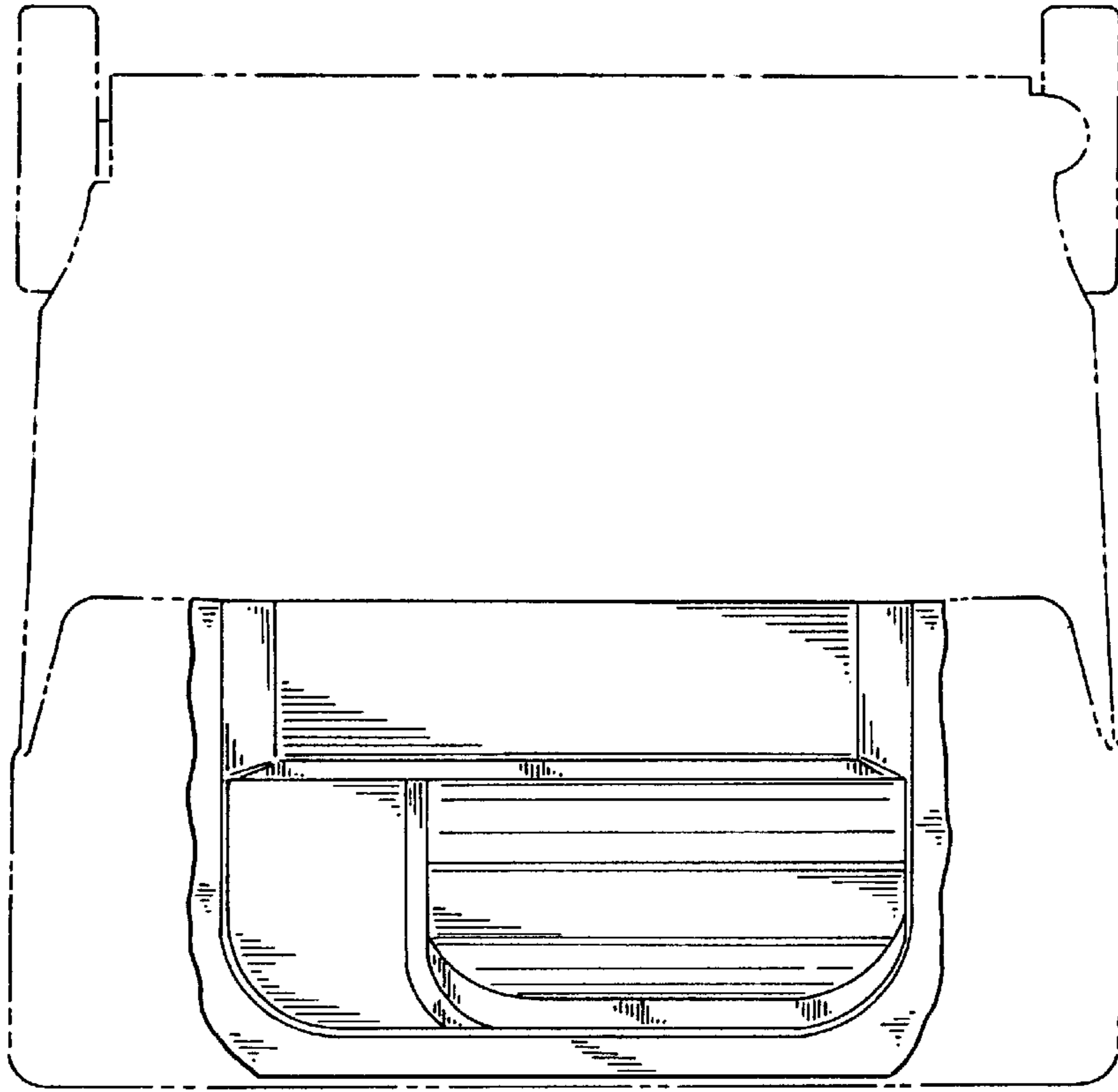


FIG. - 1

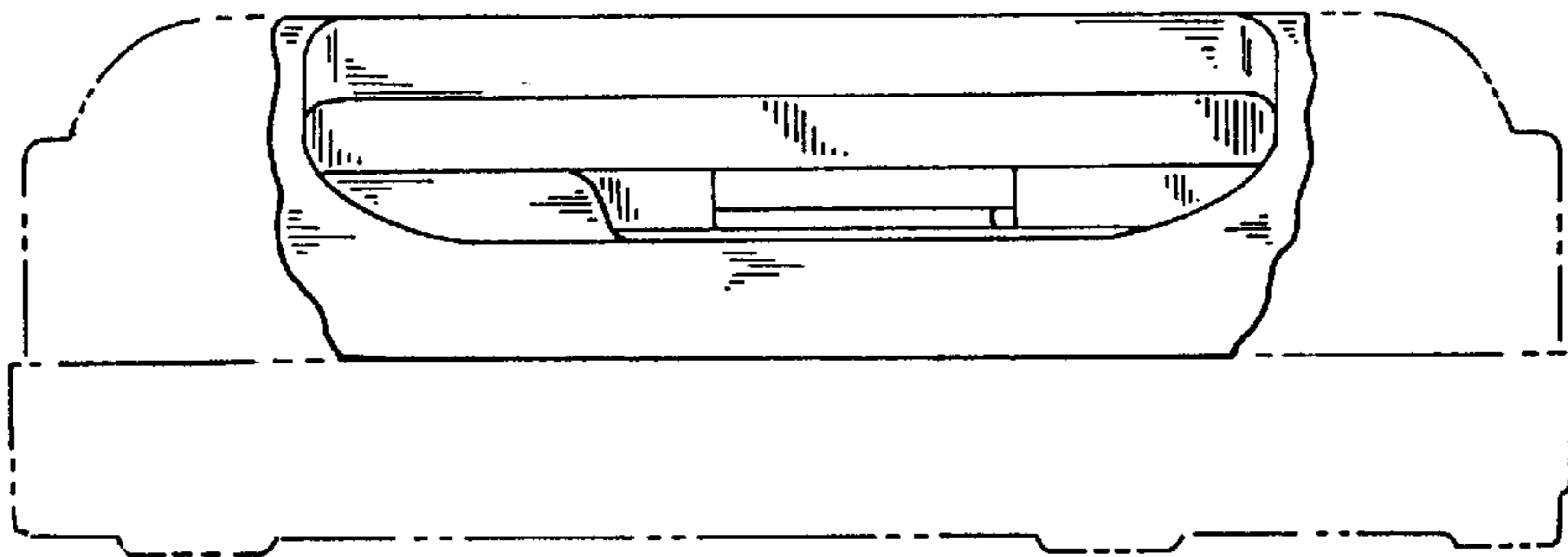


FIG. - 2

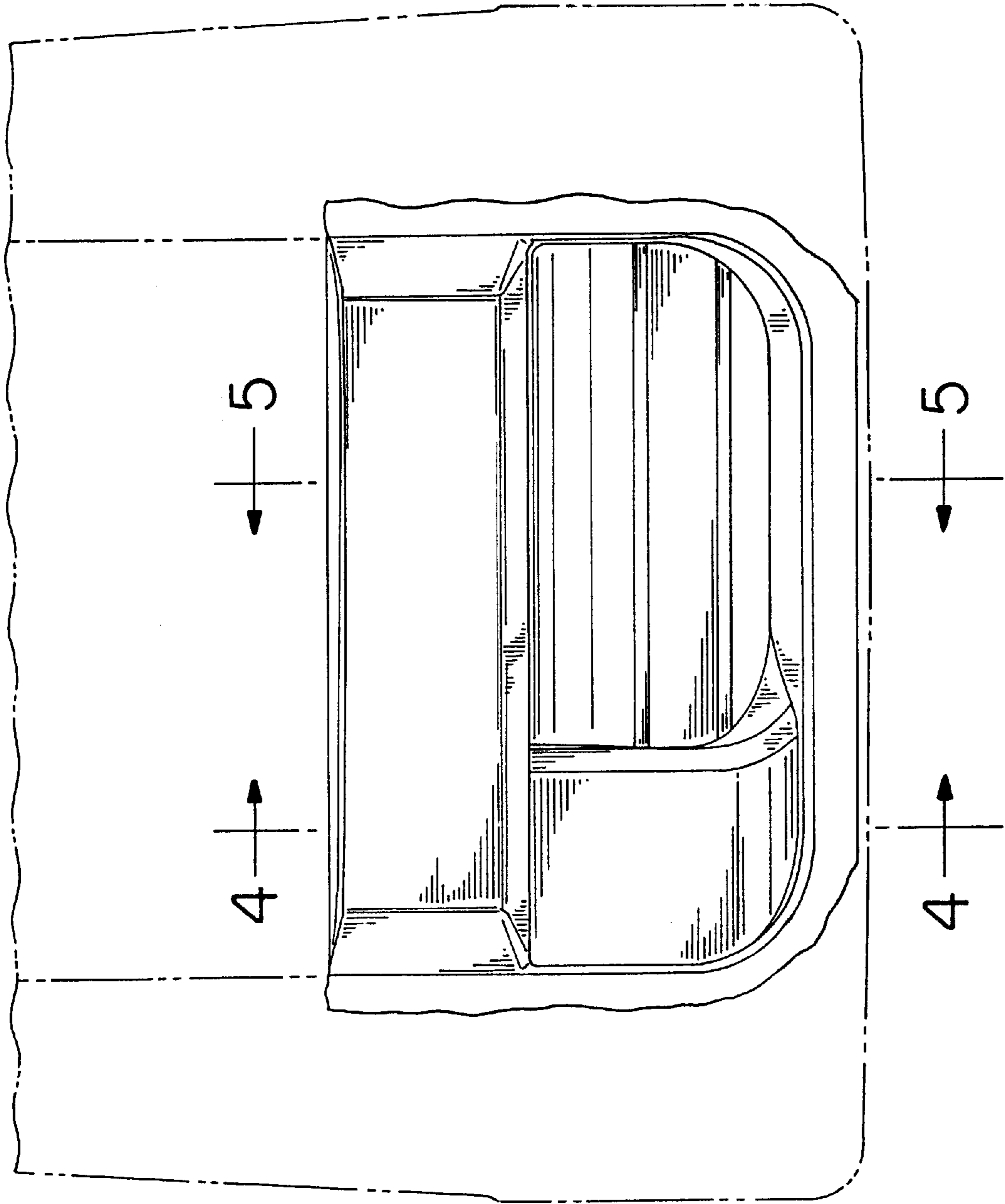


FIG. - 3

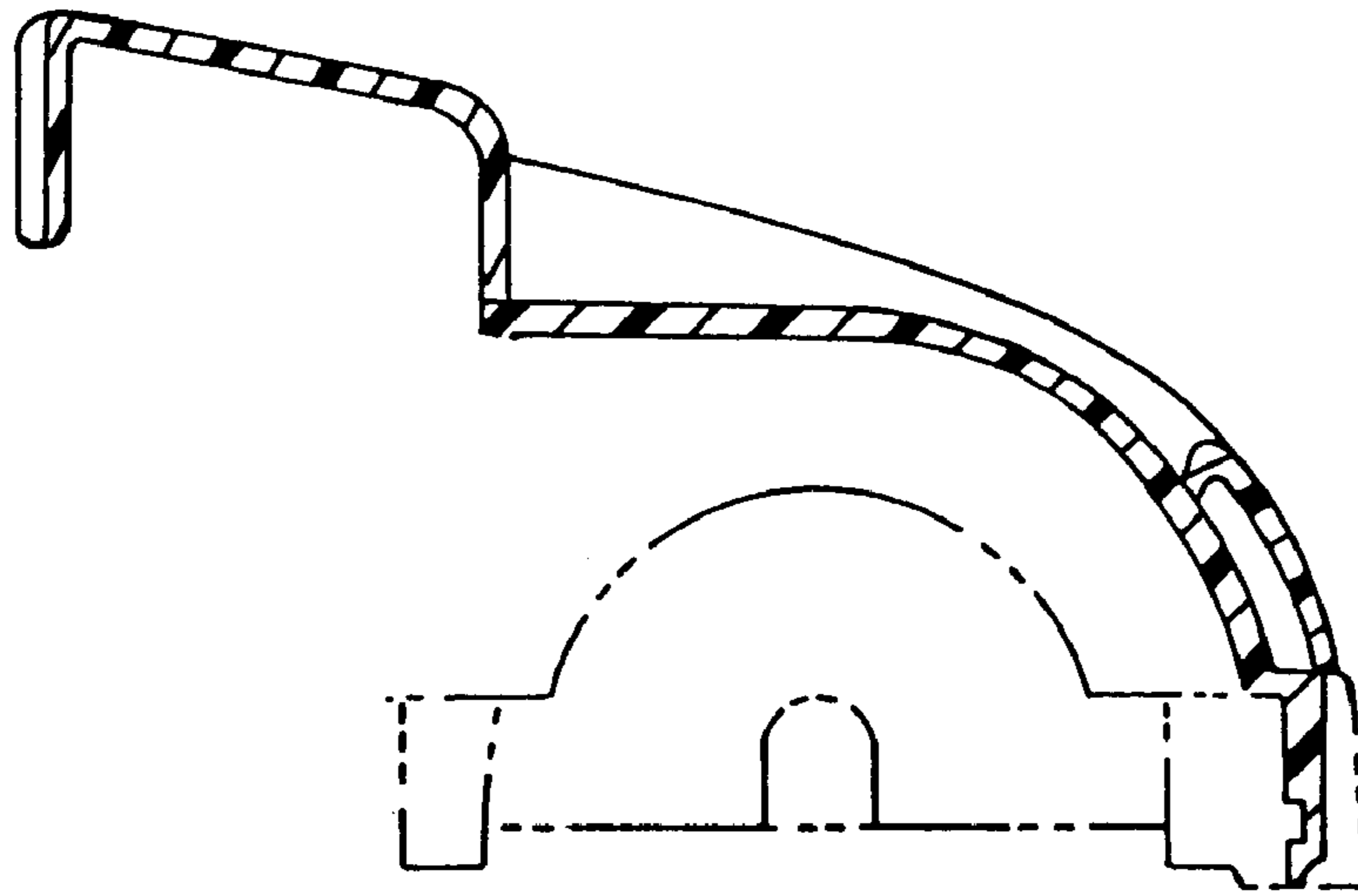


FIG. - 4

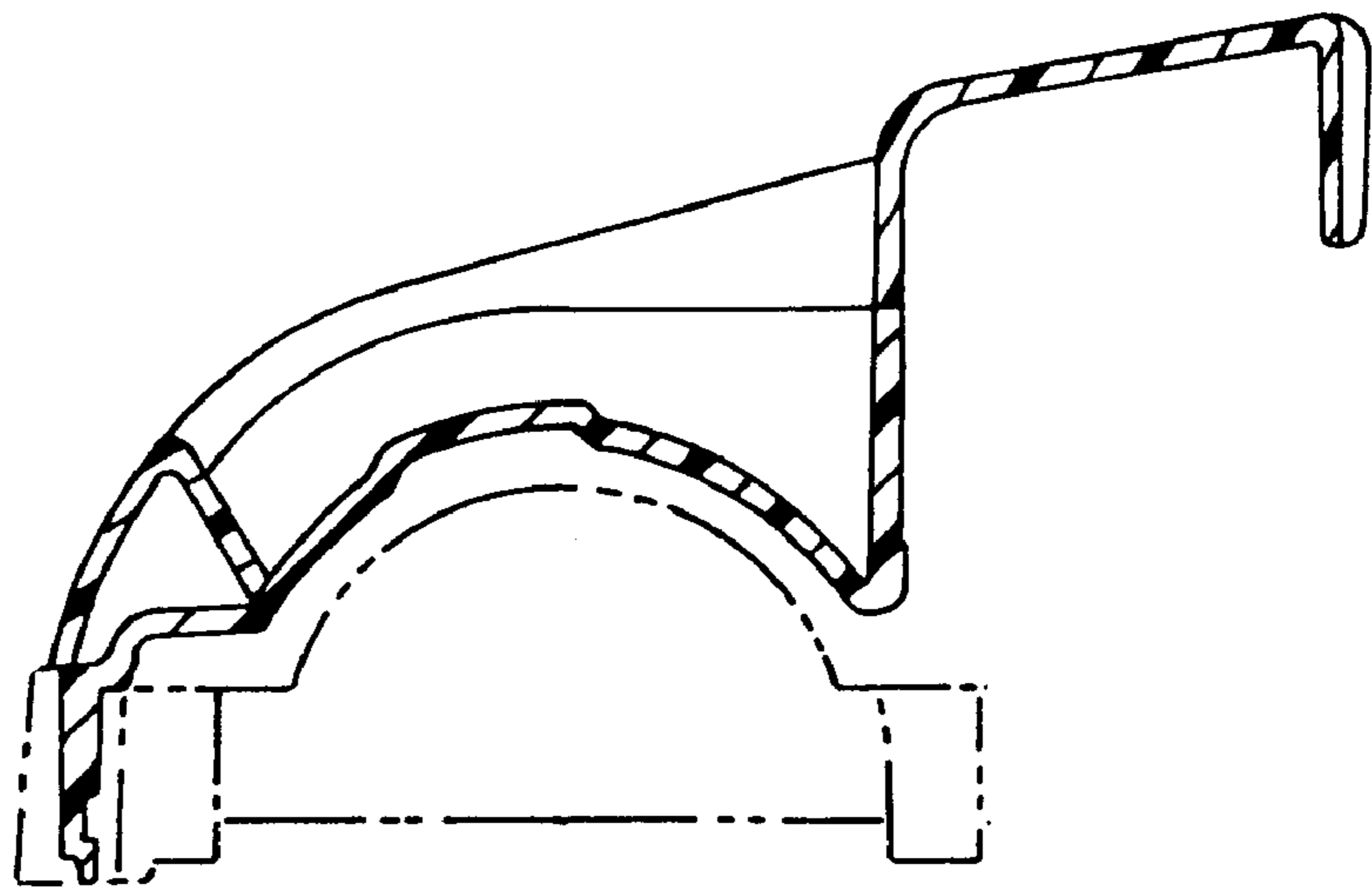


FIG. - 5