



US00D428221S

**United States Patent** [19]  
**Johnson**

[11] **Patent Number: Des. 428,221**  
[45] **Date of Patent: \*\* Jul. 11, 2000**

[54] **WHEEL WASHING APPARATUS**

**DESCRIPTION**

[76] Inventor: **William E. Johnson**, 3515-25th St.,  
Canton, Ohio 44708

[\*\*] Term: **14 Years**

[21] Appl. No.: **29/108,988**

[22] Filed: **Aug. 6, 1999**

[51] **LOC (7) Cl.** ..... **15-05**  
[52] **U.S. Cl.** ..... **D32/4**  
[58] **Field of Search** ..... D32/4; D34/32;  
15/53.2, 53.4, DIG. 2, 256.51; 472/88,  
89; 482/57; 134/45

[56] **References Cited**

**U.S. PATENT DOCUMENTS**

D. 239,610	4/1976	Miller	.....	D34/32
D. 347,502	5/1994	Mazza	.....	D34/32
D. 349,990	8/1994	Schottel	.....	D34/32
D. 357,790	4/1995	McMillan	.....	D34/32
1,621,120	3/1927	Lee	.	
2,805,860	9/1957	Littig	.....	272/73
3,107,915	10/1963	Looney	.....	272/73
3,729,763	5/1973	Coley	.....	15/53.4
3,812,550	5/1974	Bivens	.....	15/53.2
3,903,559	9/1975	Kester et al.	.....	15/53.4
4,233,703	11/1980	Clyne et al.	.....	15/53.2
5,076,792	12/1991	Niermann	.....	434/61
5,735,410	4/1998	Kallstrom	.....	211/20

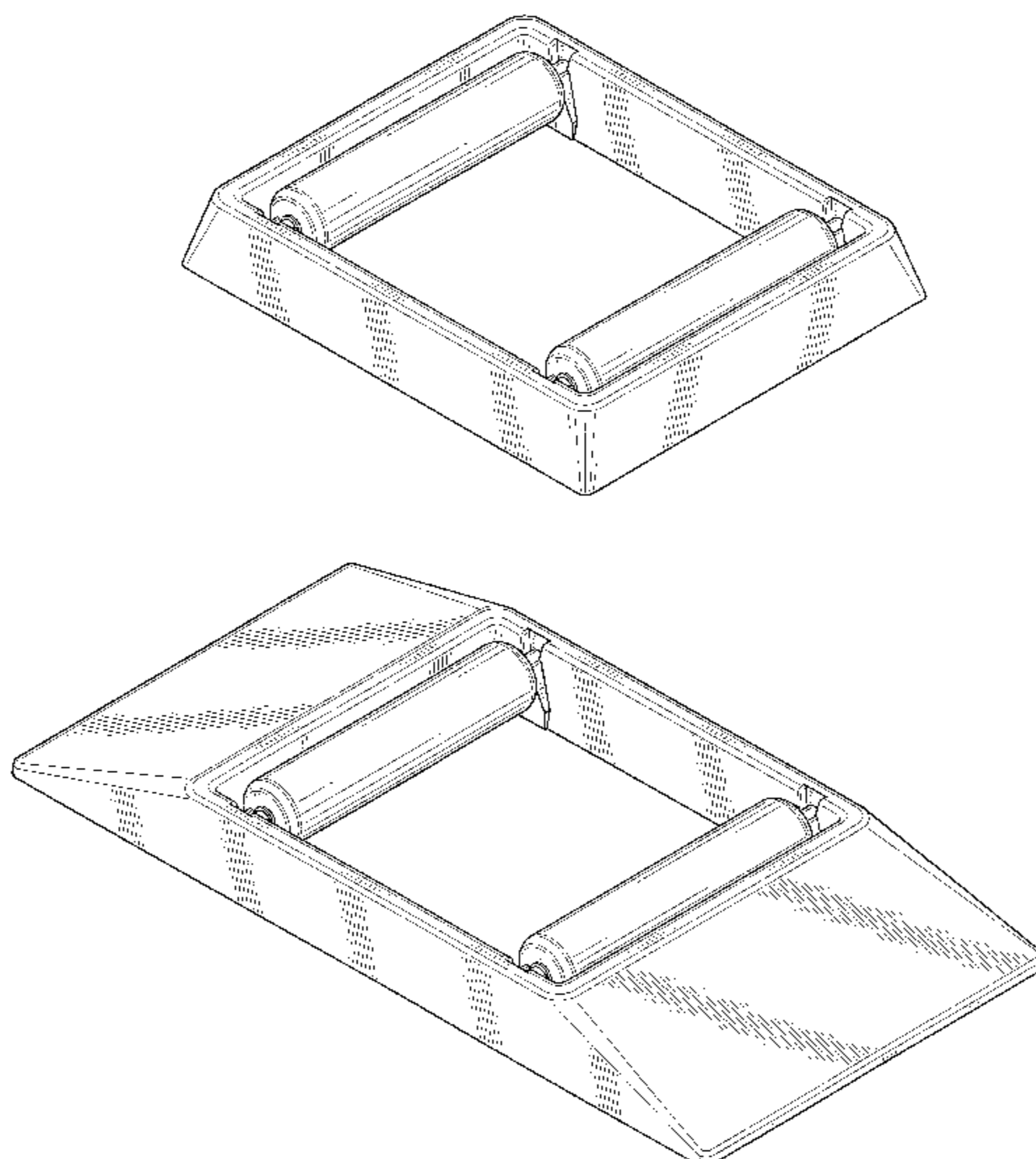
*Primary Examiner*—Mitchell Siegel  
*Attorney, Agent, or Firm*—Sand & Sebolt

[57] **CLAIM**

The ornamental design for a wheel washing apparatus, as shown and described.

FIG. 1 is a perspective view of a wheel washing apparatus showing my new design;  
 FIG. 2 is a top plan view of the wheel washing apparatus of FIG. 1;  
 FIG. 3 is a front elevational view of the wheel washing apparatus of FIG. 2;  
 FIG. 4 is a right side elevational view of FIG. 2, the left side being a mirror image thereof;  
 FIG. 5 is a bottom plan view of FIG. 2;  
 FIG. 6 is a perspective view of a second embodiment of a wheel washing apparatus as disclosed in FIG. 1;  
 FIG. 7 is a top plan view of the wheel washing apparatus of FIG. 6;  
 FIG. 8 is a front elevational view of the wheel washing apparatus of FIG. 7;  
 FIG. 9 is a left side elevational view of FIG. 7;  
 FIG. 10 is a right side elevational view of FIG. 7;  
 FIG. 11 is a bottom plan view of FIG. 7;  
 FIG. 12 is a perspective view of a third embodiment of a wheel washing apparatus as disclosed in FIG. 1;  
 FIG. 13 is a top plan view of the wheel washing apparatus of FIG. 12;  
 FIG. 14 is a front elevational view of the wheel washing apparatus of FIG. 13;  
 FIG. 15 is a right side elevational view of FIG. 13, the left side being a mirror image thereof;  
 FIG. 16 is a bottom plan view of FIG. 13;  
 FIG. 17 is a perspective view of a fourth embodiment of a wheel washing apparatus as disclosed in FIG. 1;  
 FIG. 18 is a top plan view of a wheel washing apparatus of FIG. 17;  
 FIG. 19 is a front elevational view of the wheel washing apparatus of FIG. 18;  
 FIG. 20 is a right side elevational view of FIG. 18, the left side being a mirror image thereof; and,  
 FIG. 21 is a bottom plan view of FIG. 18.

**1 Claim, 12 Drawing Sheets**



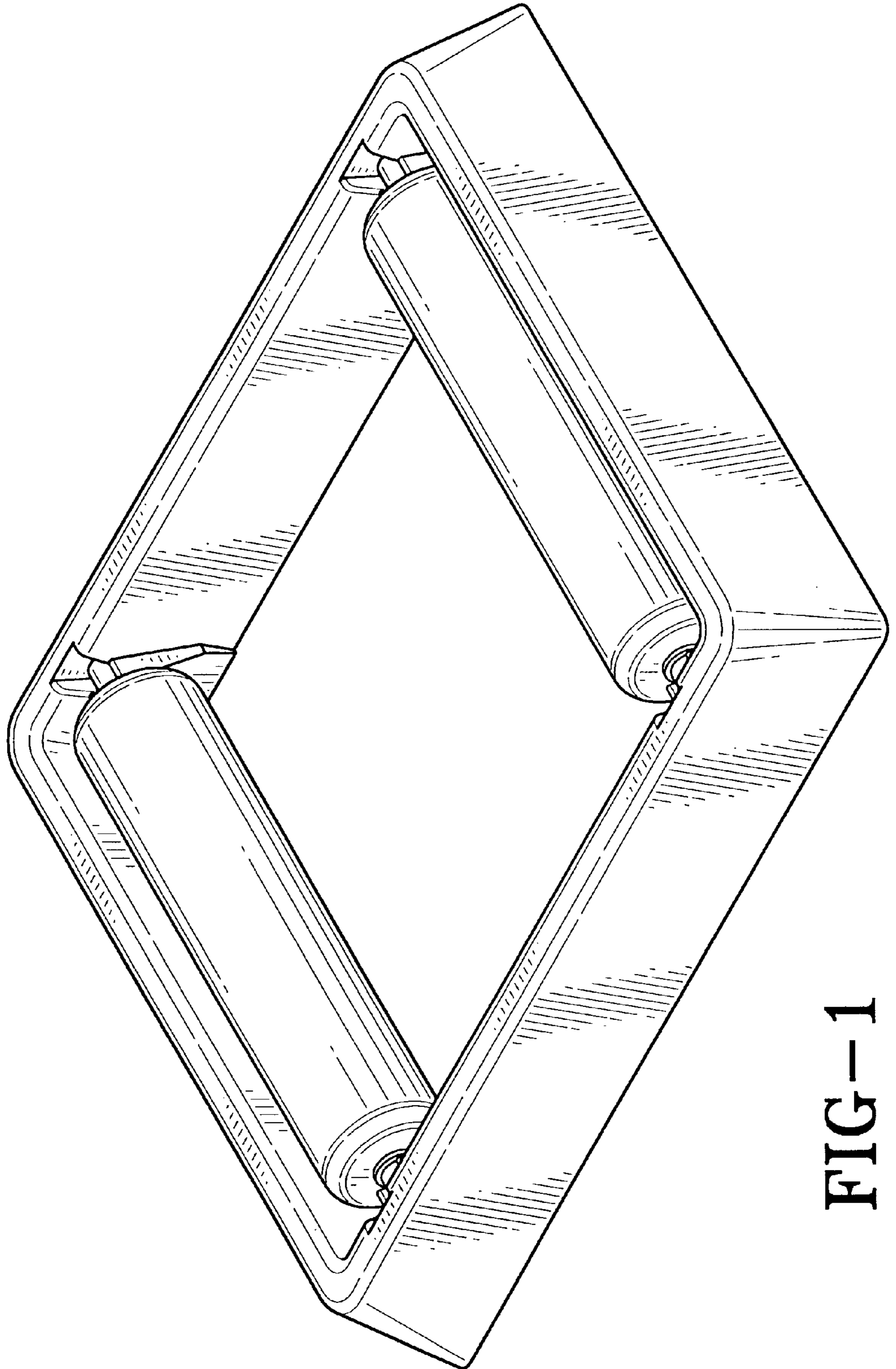


FIG-1

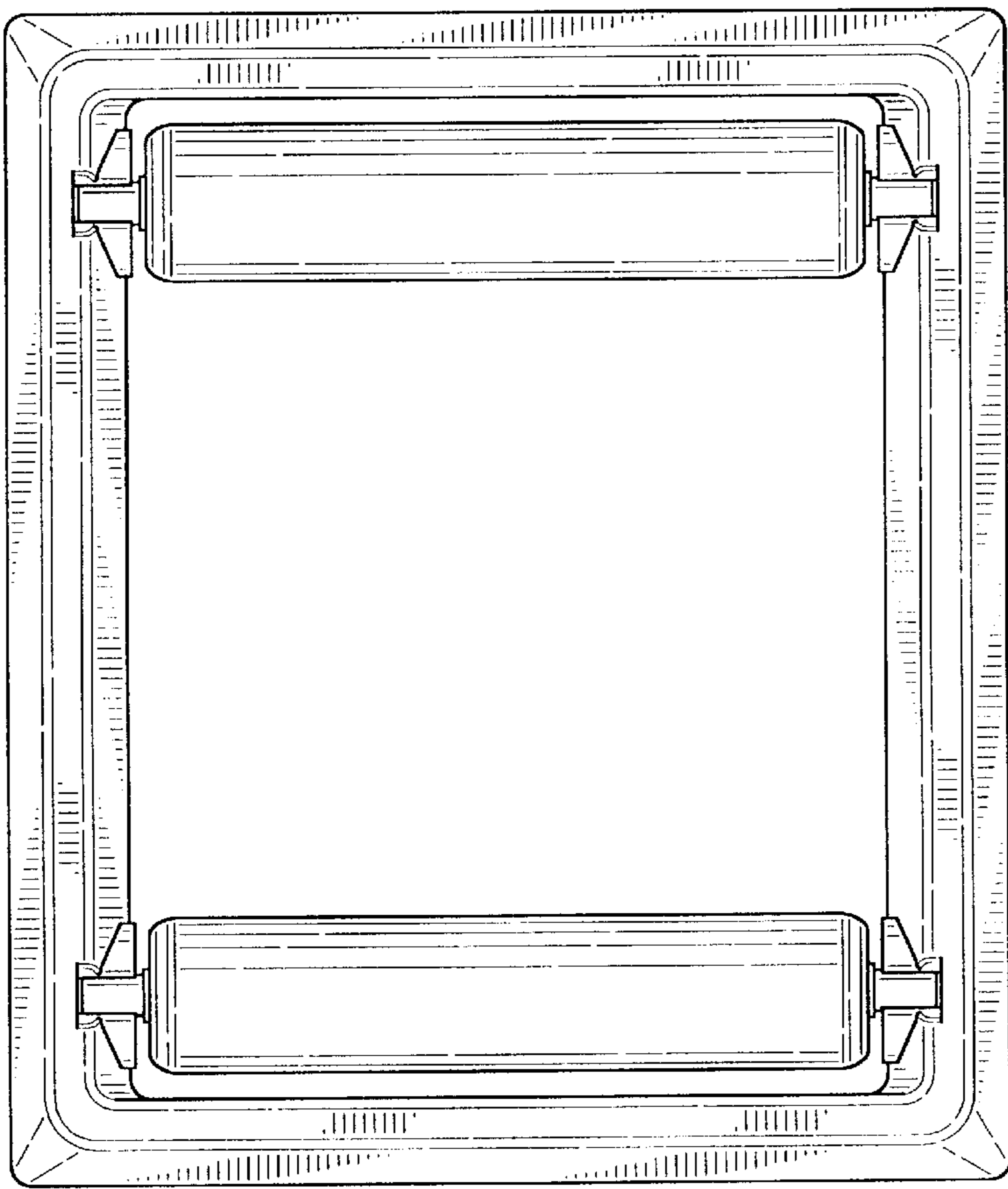


FIG-2

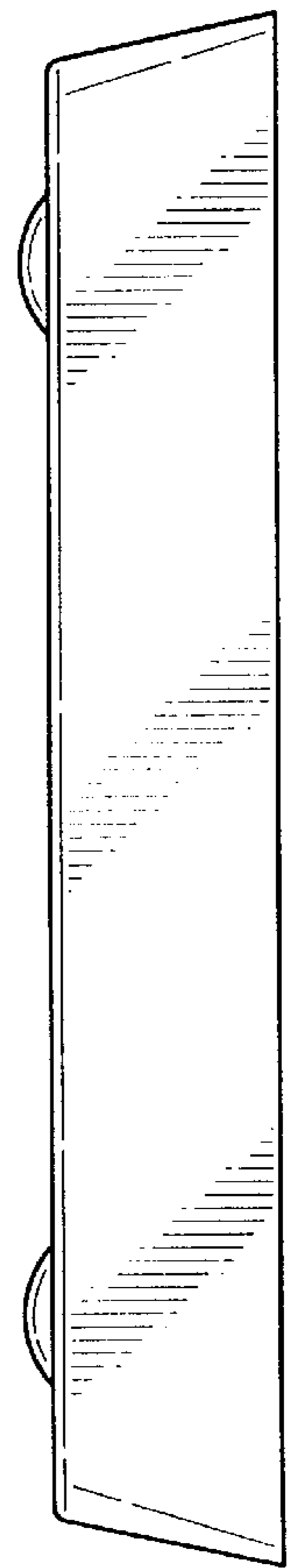


FIG-3

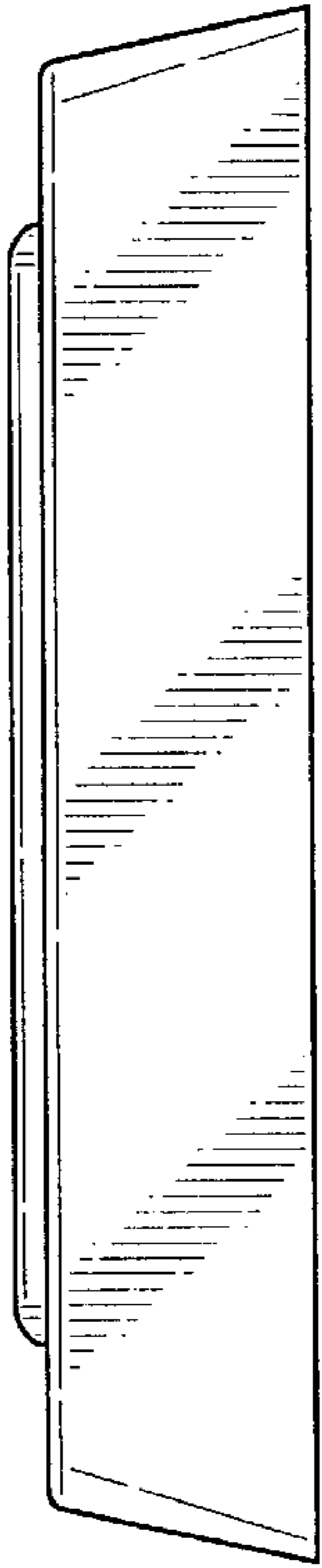


FIG-4

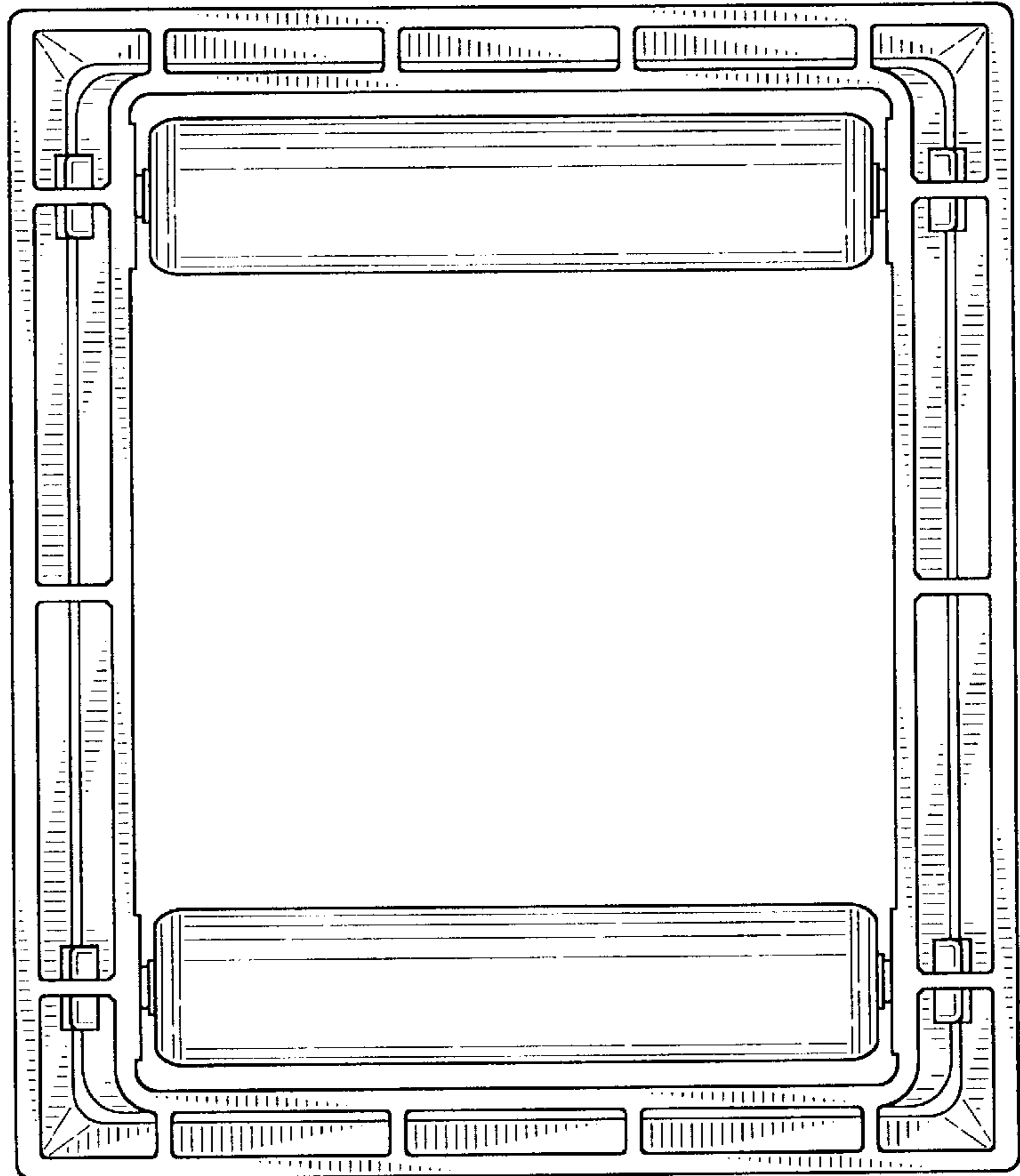


FIG-5

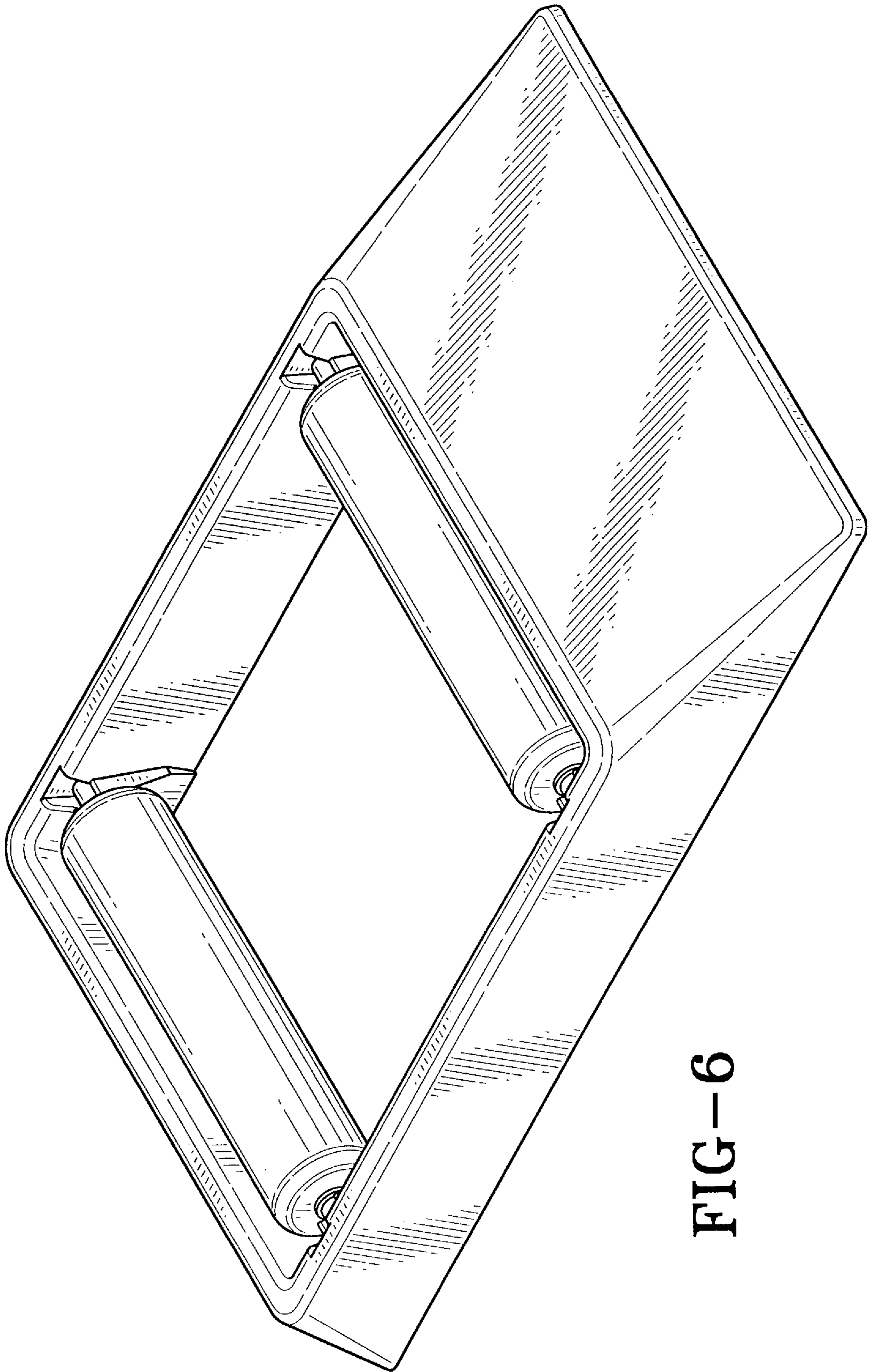


FIG-6

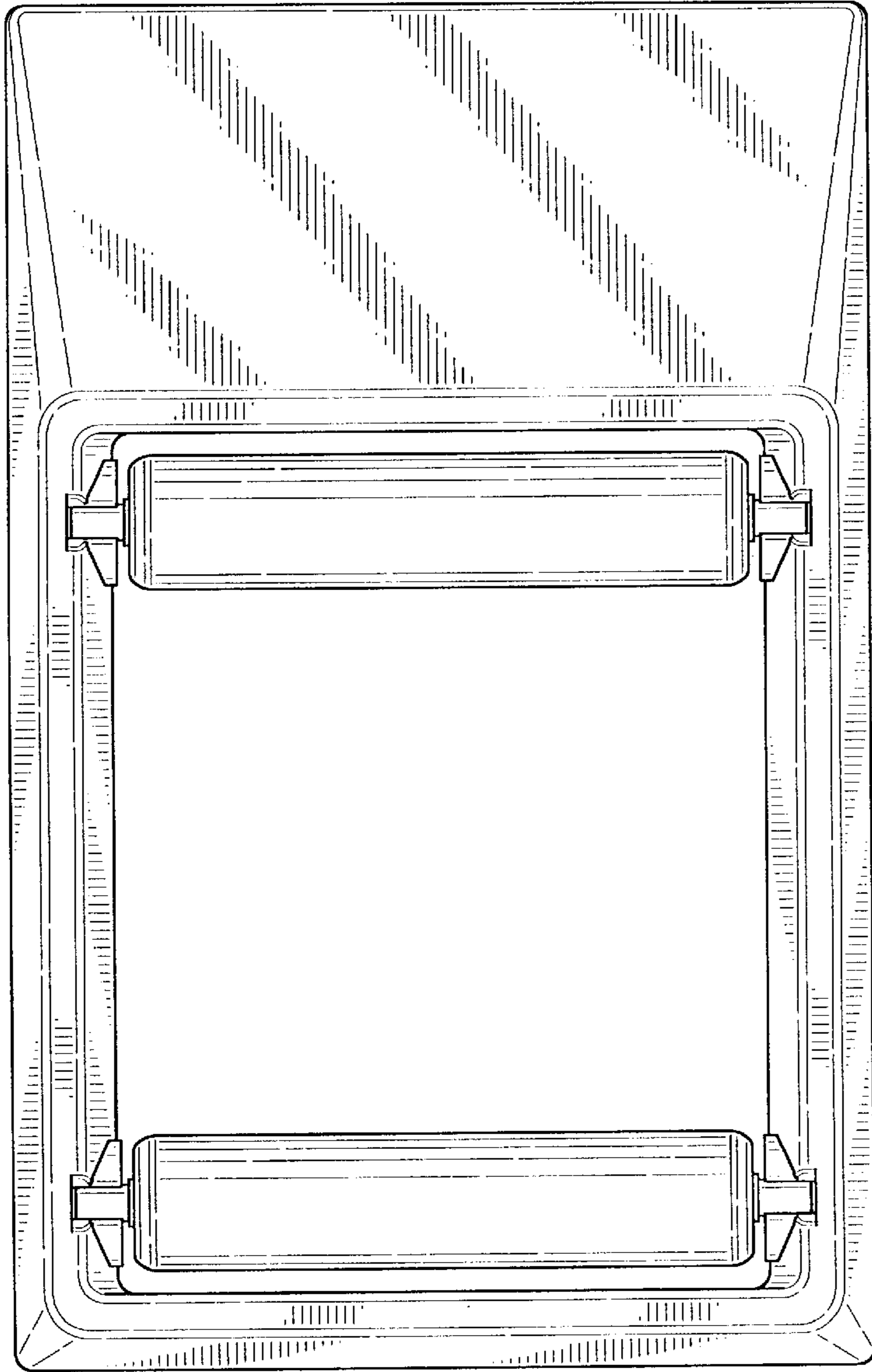


FIG-7

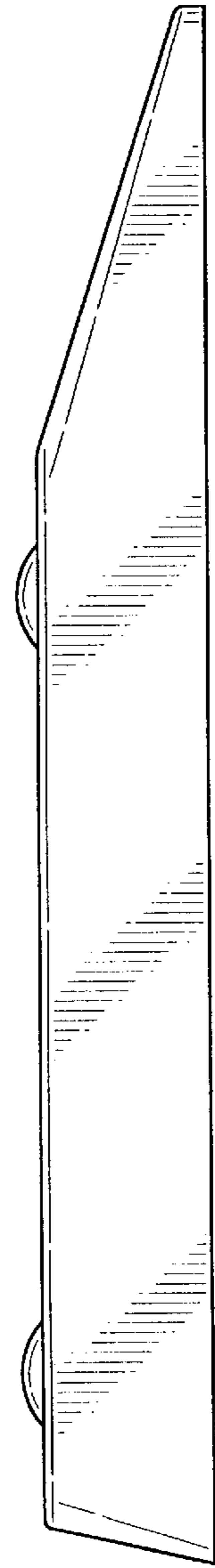


FIG-8

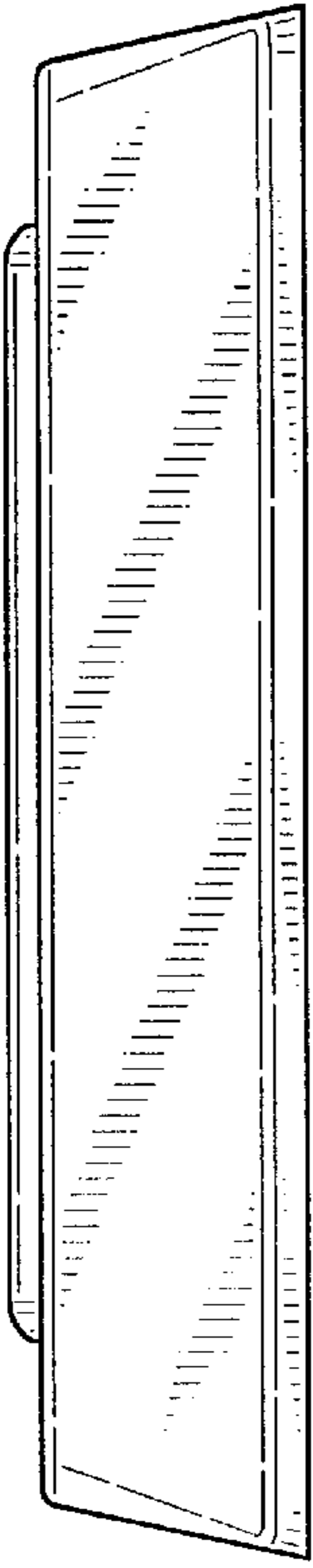


FIG-9

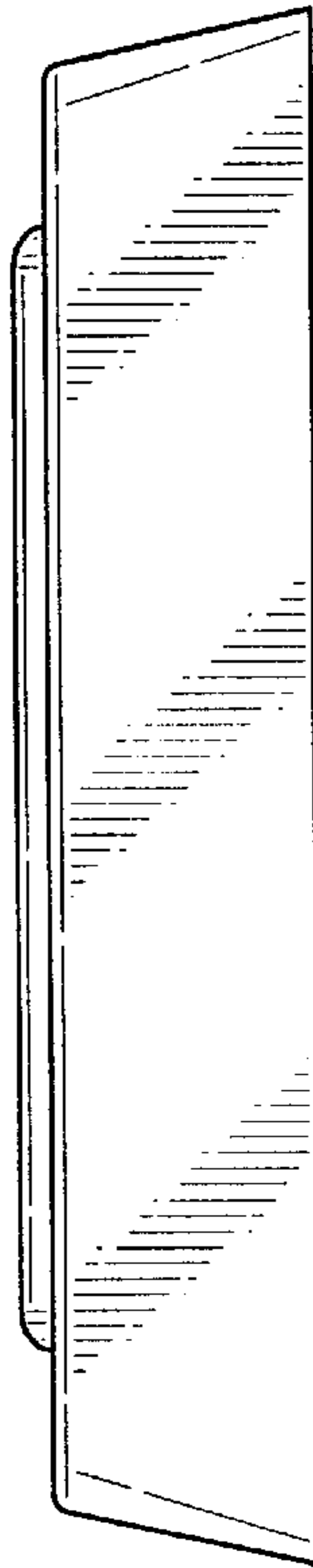


FIG-10

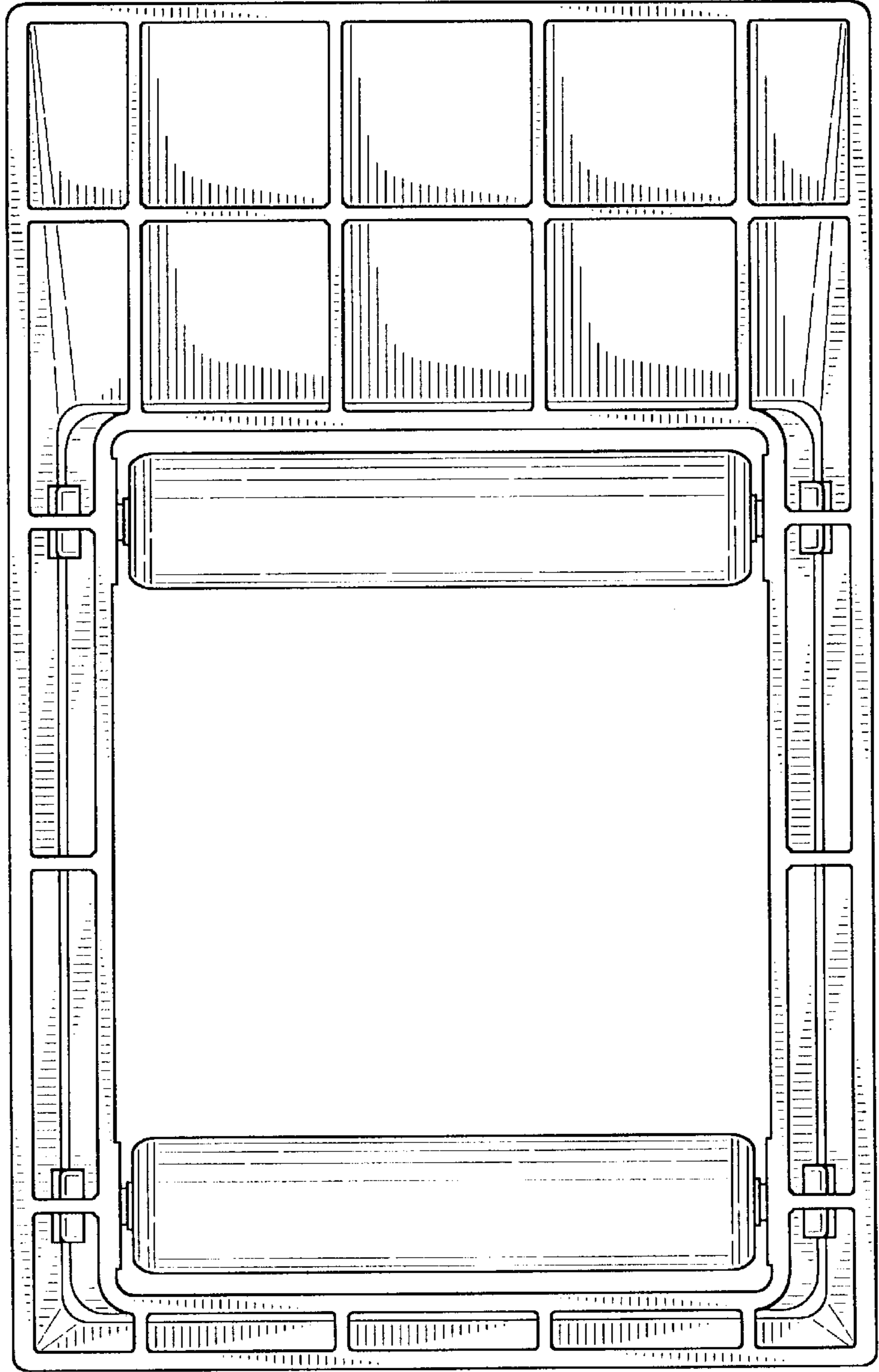


FIG-11

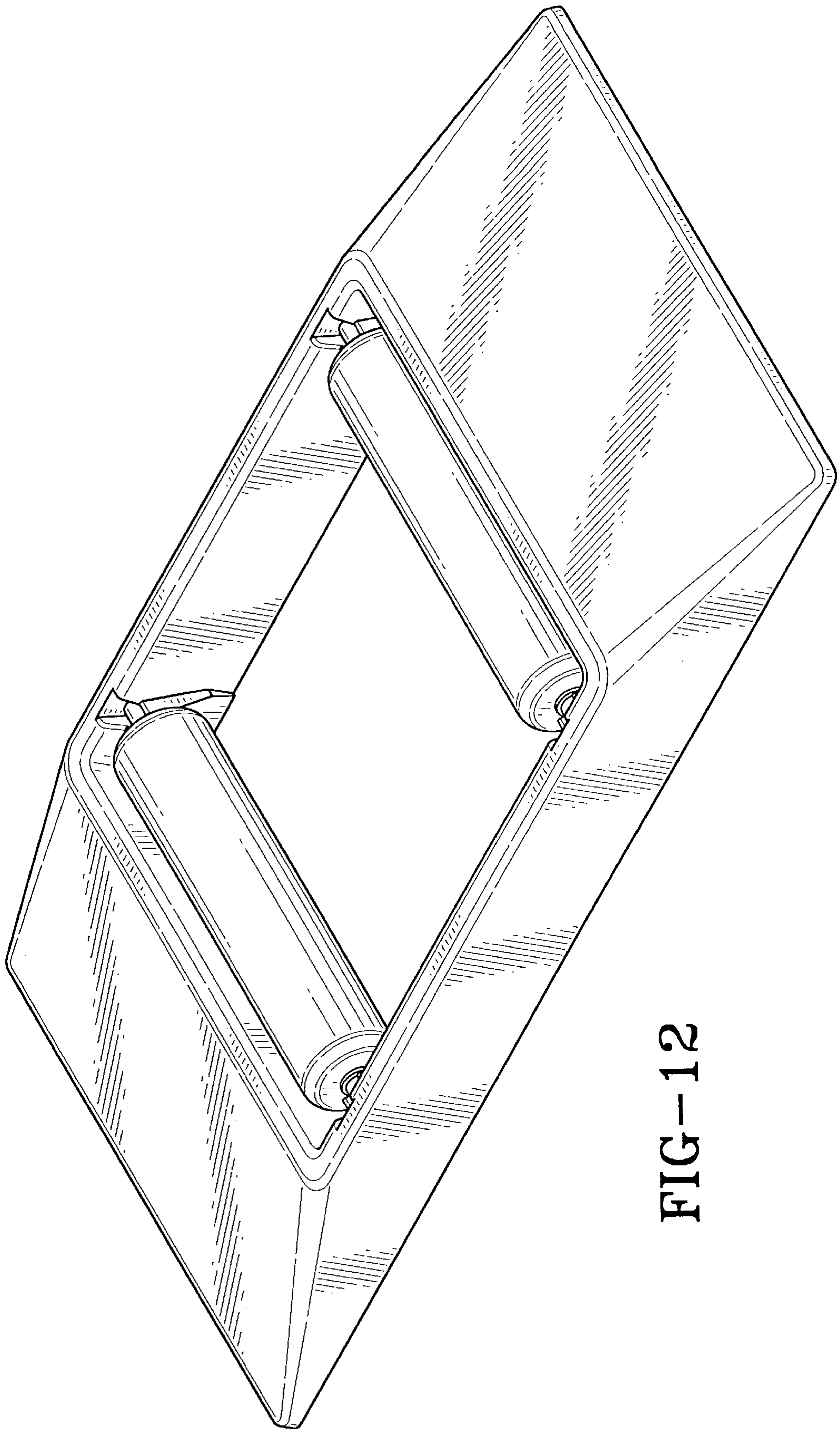


FIG-12



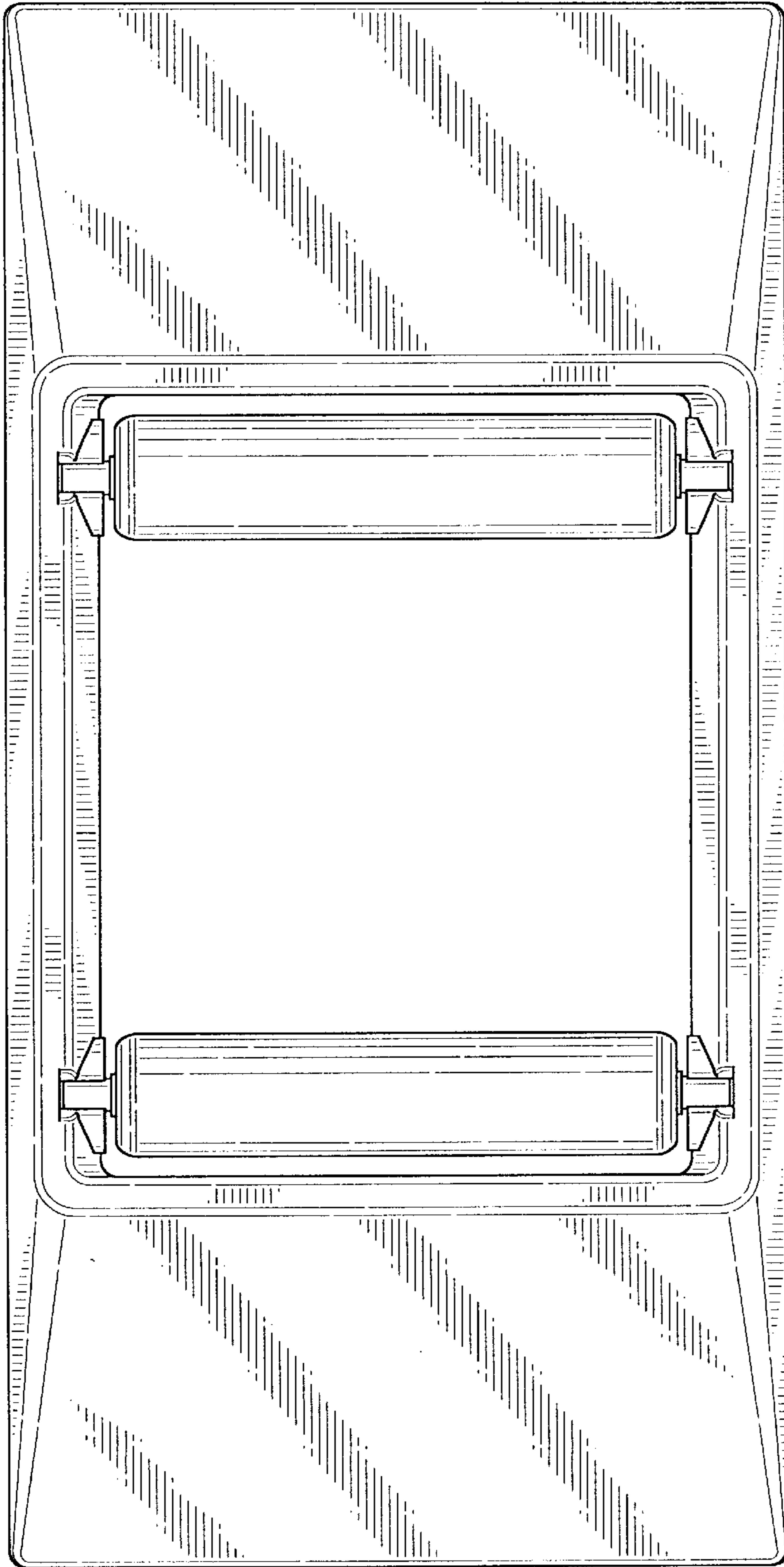


FIG-13

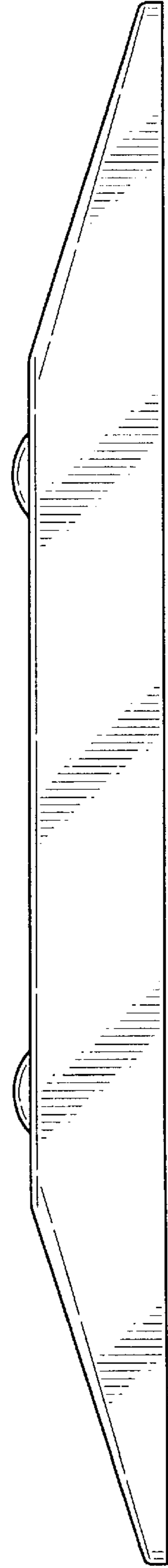


FIG-14

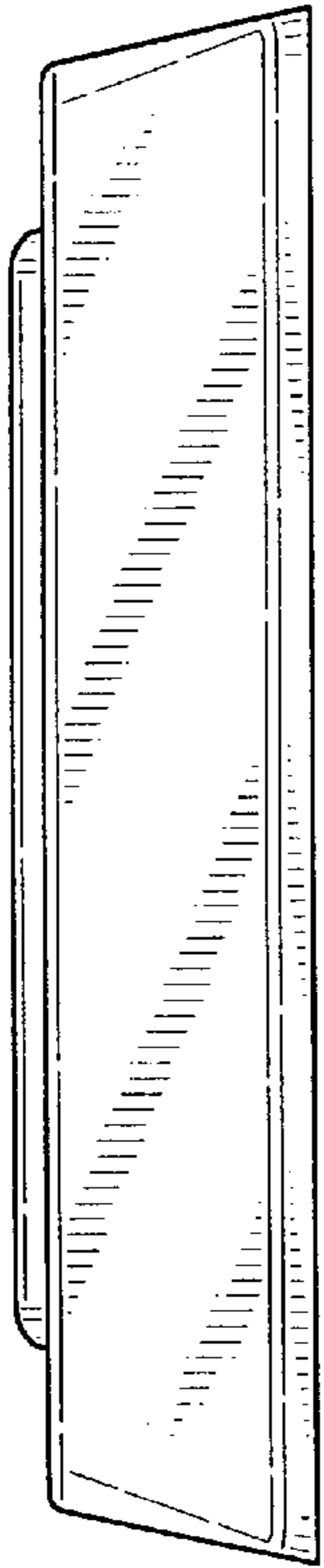


FIG-15

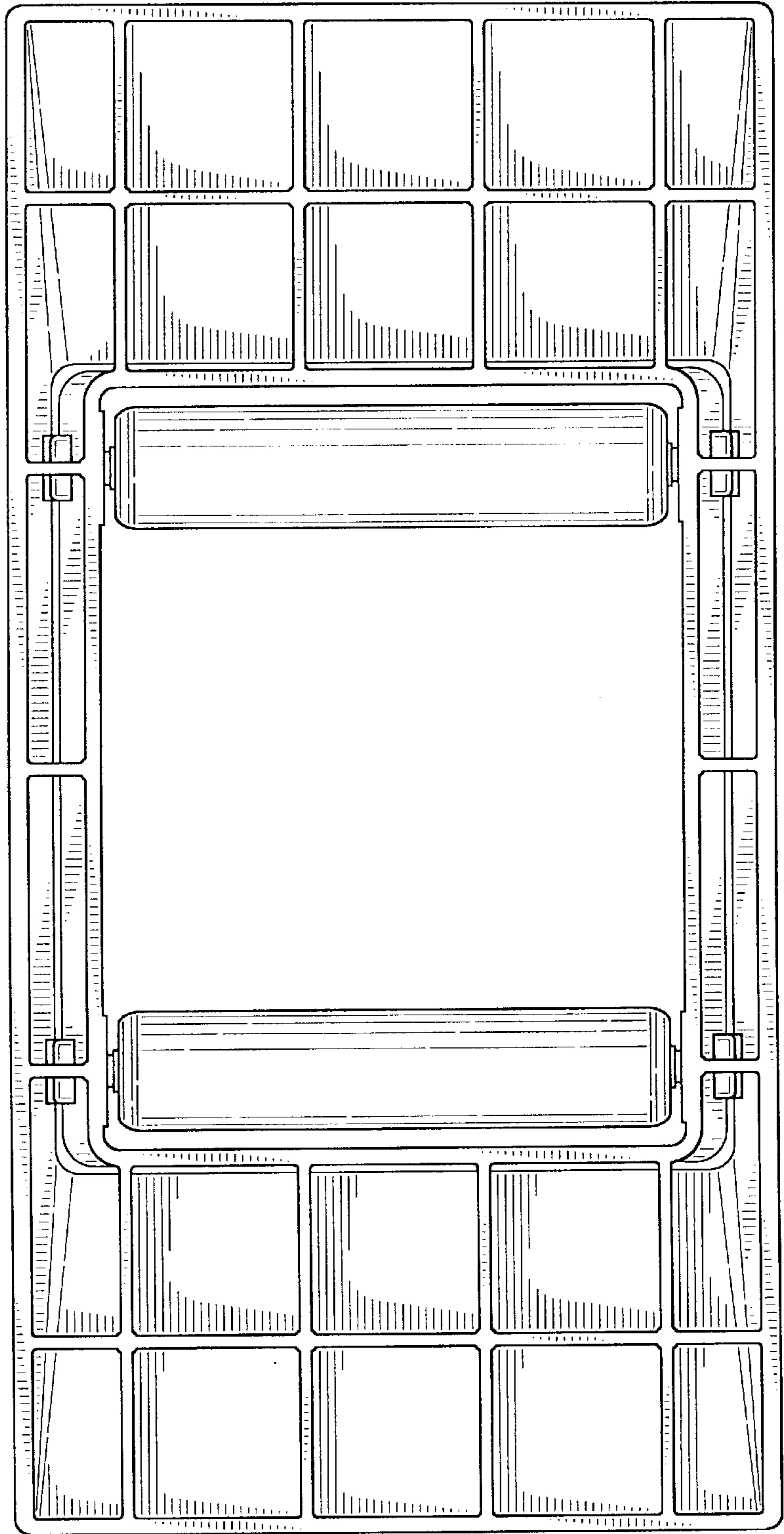


FIG-16

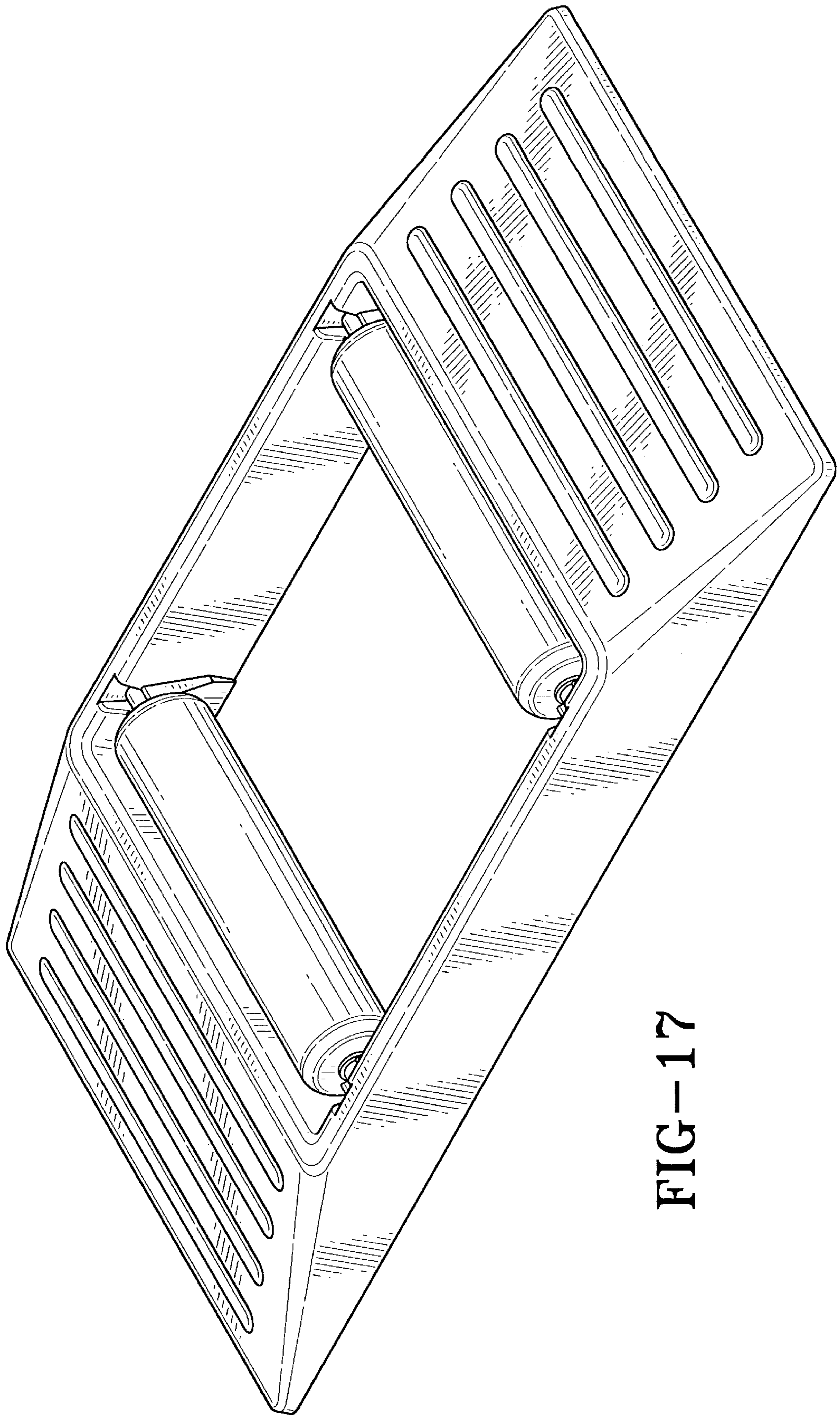


FIG-17

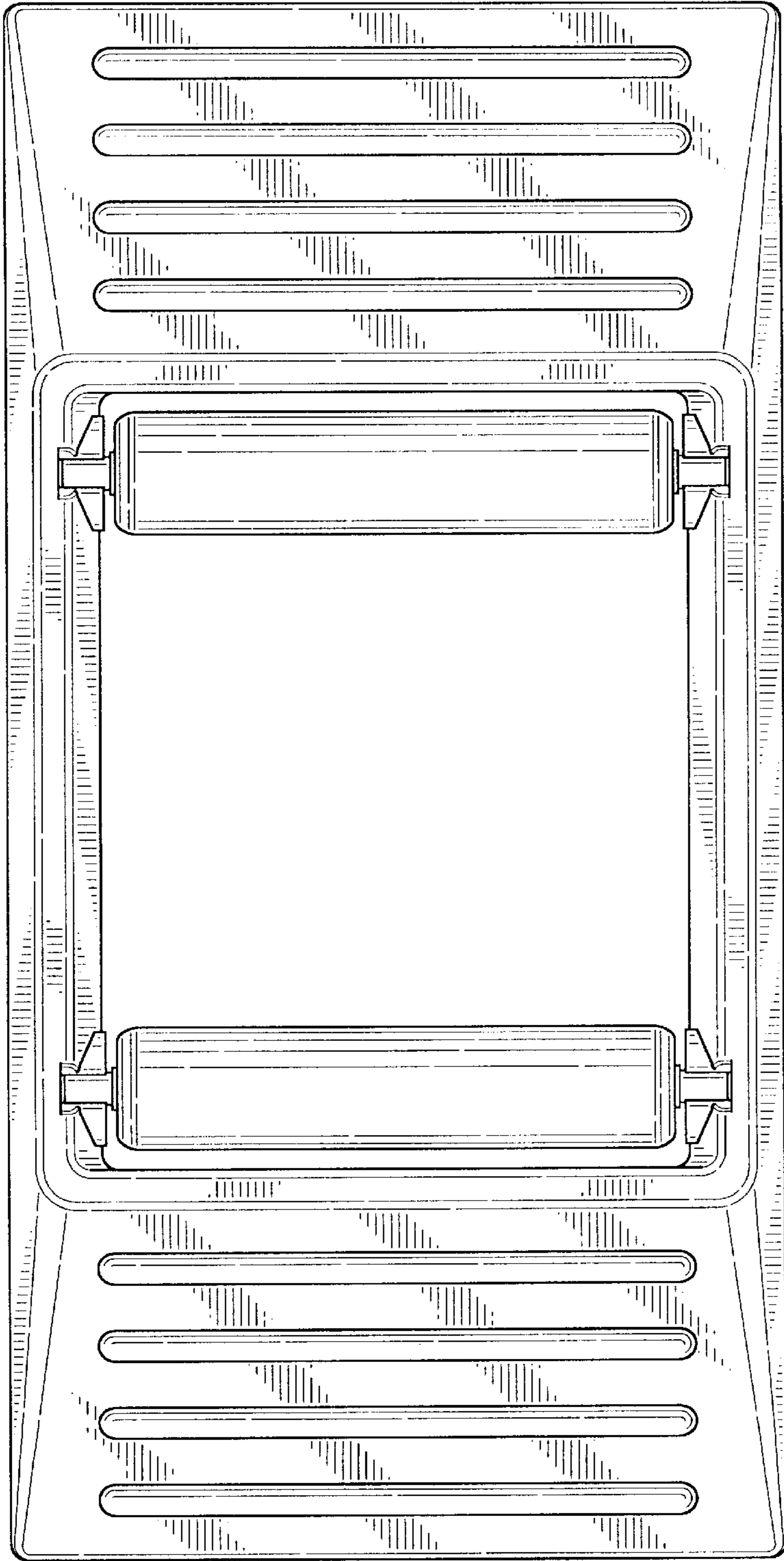


FIG-18

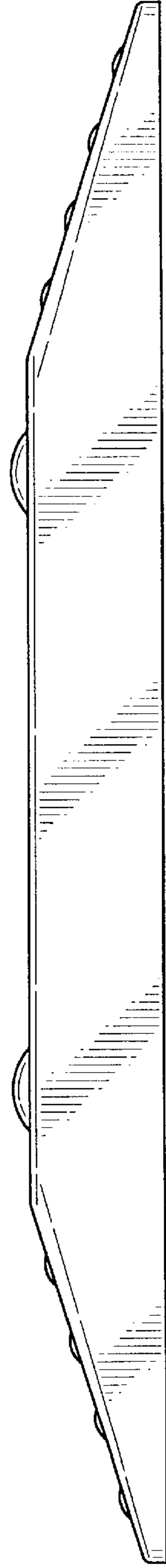


FIG-19

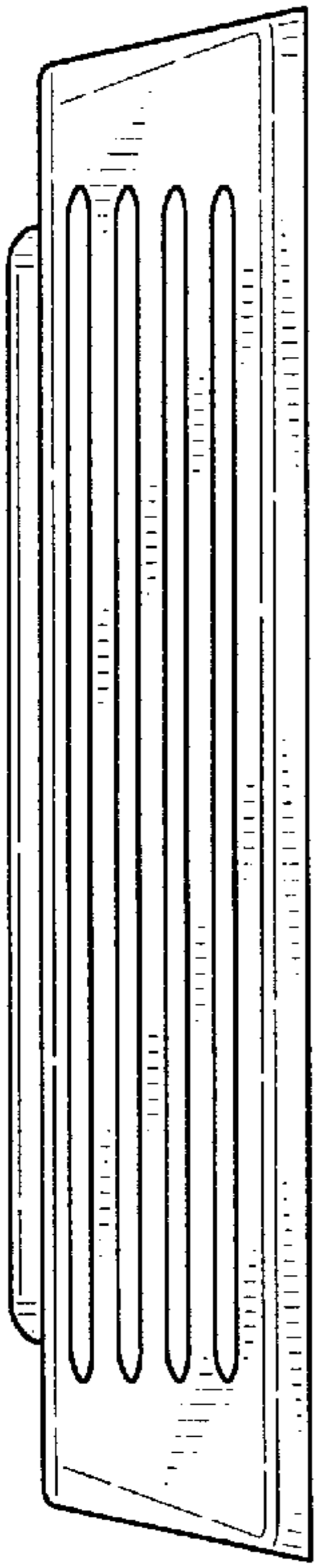


FIG-20

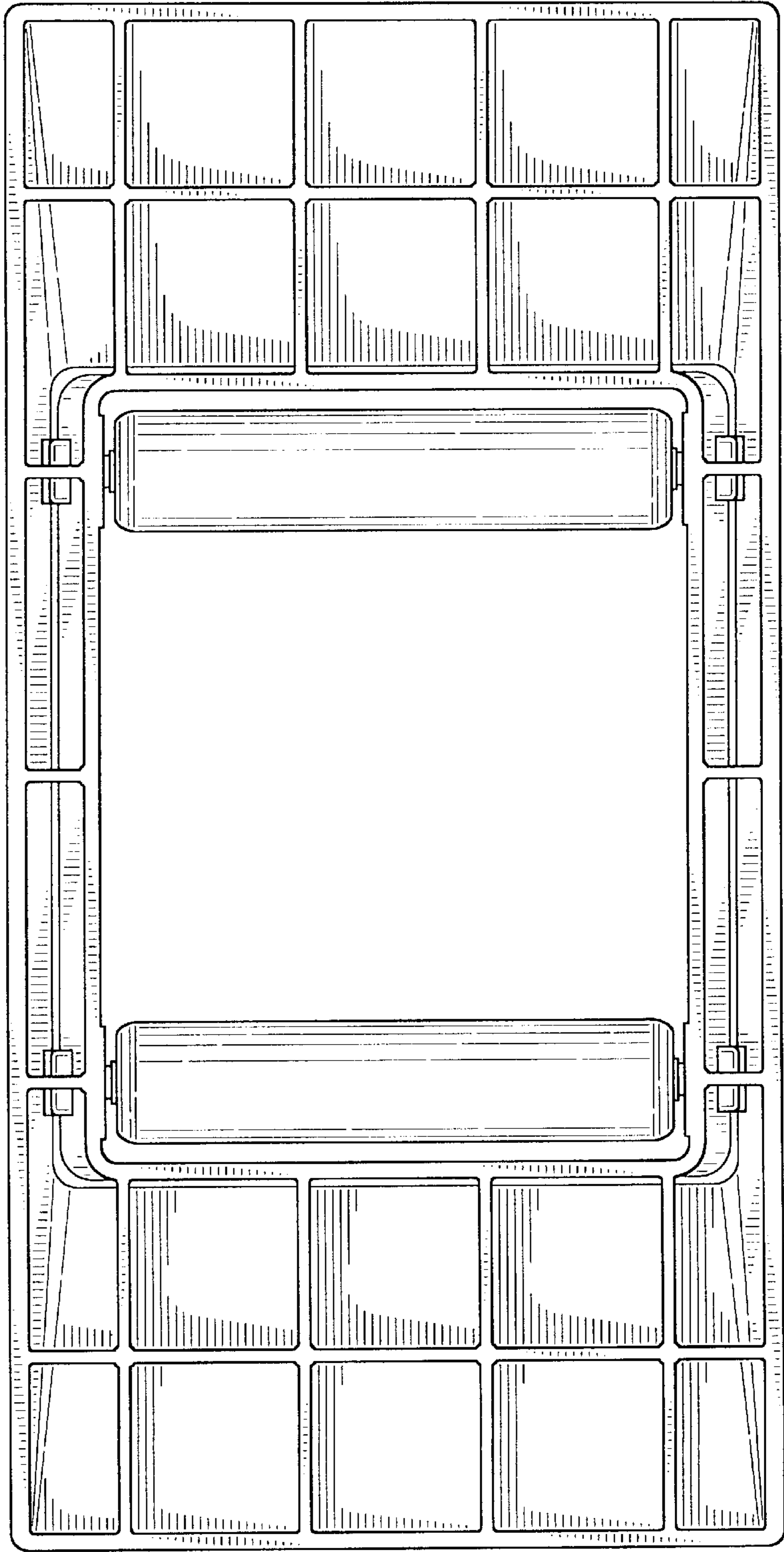


FIG-21