



US00D428216S

United States Patent [19]

Bonder et al.

[11] Patent Number: Des. 428,216

[45] Date of Patent: ** Jul. 11, 2000

[54] BIRD FEEDER

[75] Inventors: Murray Bonder; Carol P. Bonder,
both of Apex, N.C.

[73] Assignee: SMJ Incorporated, Dunn, N.C.

[**] Term: 14 Years

[21] Appl. No.: 29/105,608

[22] Filed: Jun. 1, 1999

[51] LOC (7) Cl. 30-03

[52] U.S. Cl. D30/124

[58] Field of Search D30/123-129,
D30/110-111; 119/428-429, 432, 51.01,
52.1, 52.2, 57.8, 57.9, 69.5

[56] **References Cited**

U.S. PATENT DOCUMENTS

D. 119,499	3/1940	Howard	D30/125
D. 142,561	10/1945	Hyde	119/57.8
D. 162,139	2/1951	Ehrerfeld	D30/126
D. 187,135	2/1960	McDonald	D30/126
D. 191,518	10/1961	Olson	D30/124
D. 194,109	11/1962	Dilley	D30/126
D. 205,074	6/1966	Brown	D30/126
D. 205,896	10/1966	Soderlind	D30/124

D. 215,607	10/1969	Whiteside	D30/125
D. 223,047	3/1972	Stanek	D30/126
D. 227,270	6/1973	Onos	D30/126
D. 283,714	5/1986	Petroulias	D30/110
D. 285,847	9/1986	Read	D30/124
D. 288,013	1/1987	Schueler	D30/124
D. 329,723	9/1992	Carpenter	D30/126
D. 355,055	1/1995	Hardison	D30/124
D. 359,146	6/1995	Finch	D30/121
2,184,633	12/1939	Copeman	119/57.8
3,134,361	5/1964	Decker	D30/111
5,957,087	9/1999	Bonder et al.	119/429

Primary Examiner—Cathy Anne MacCormac
Attorney, Agent, or Firm—Coats & Bennett, PLLC

[57] **CLAIM**

The ornamental design for a bird feeder, as shown.

DESCRIPTION

FIG. 1 is a perspective view of the bird feeder of the present invention.

FIG. 2 is a front elevational view of the bird feeder.

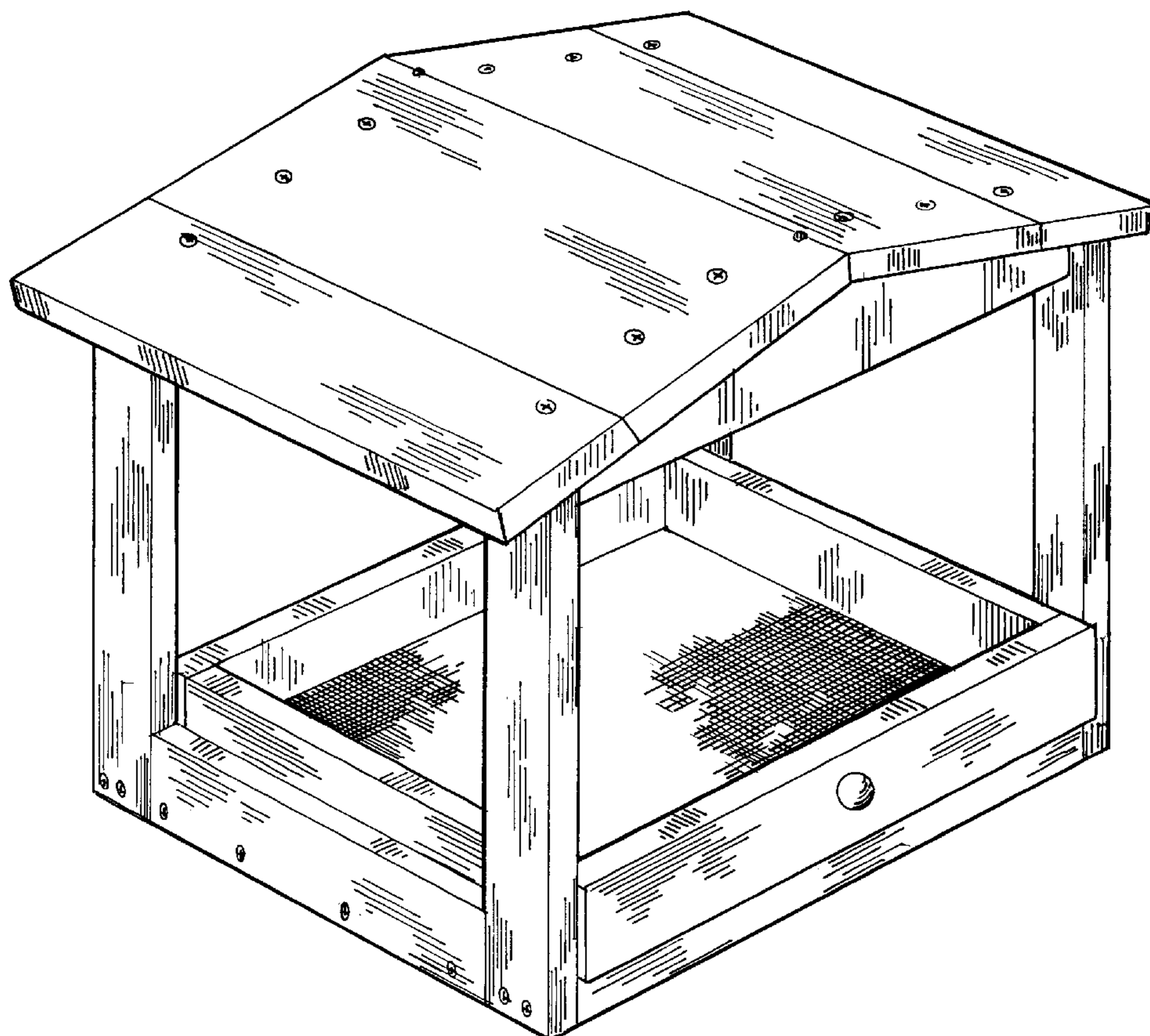
FIG. 3 is a side elevational view of the bird feeder with the opposite side being a mirror image of the same.

FIG. 4 is a rear elevational view of the bird feeder.

FIG. 5 is a top plan view of the bird feeder; and,

FIG. 6 is a bottom plan view of the bird feeder.

1 Claim, 4 Drawing Sheets



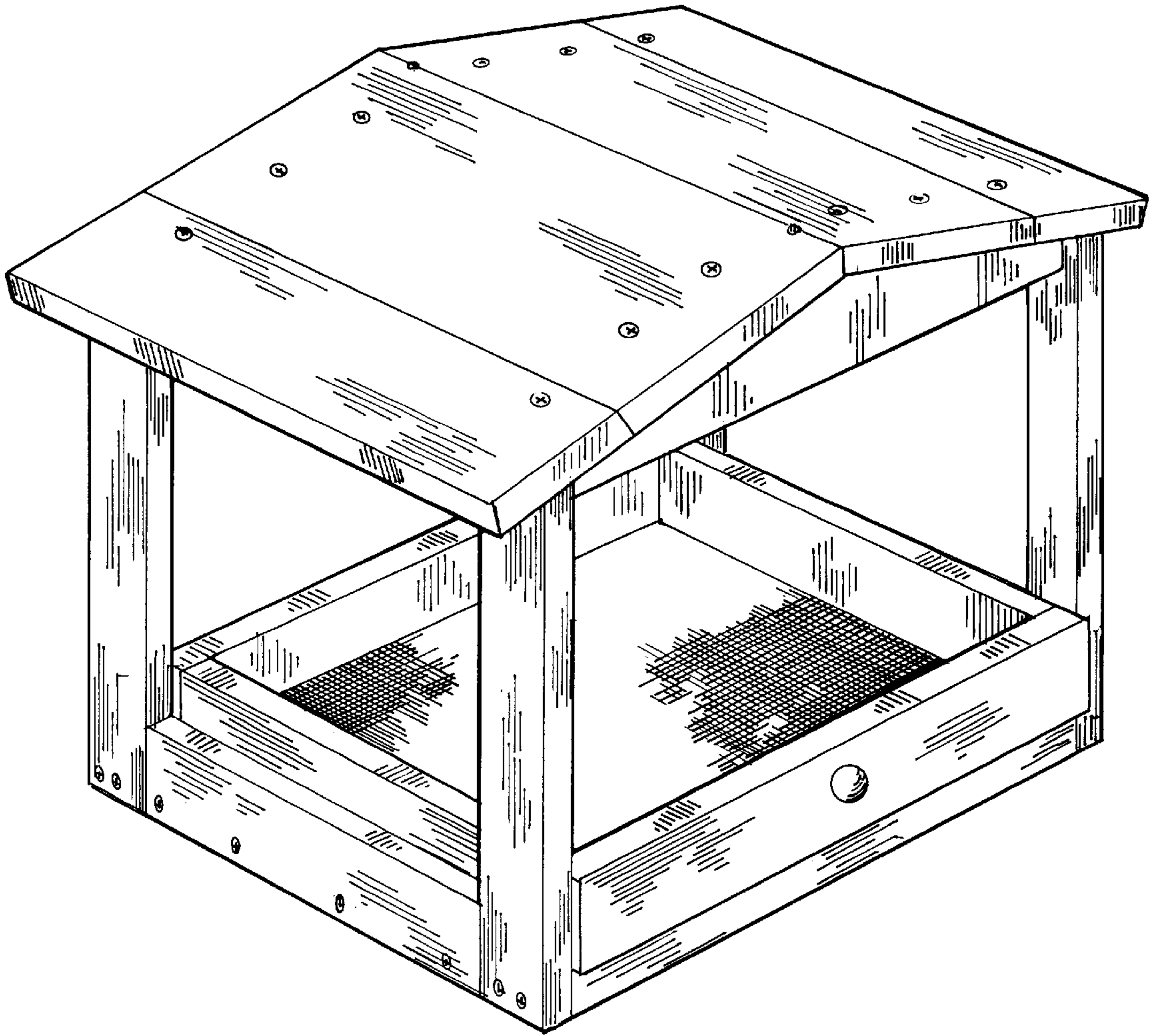


FIG.1

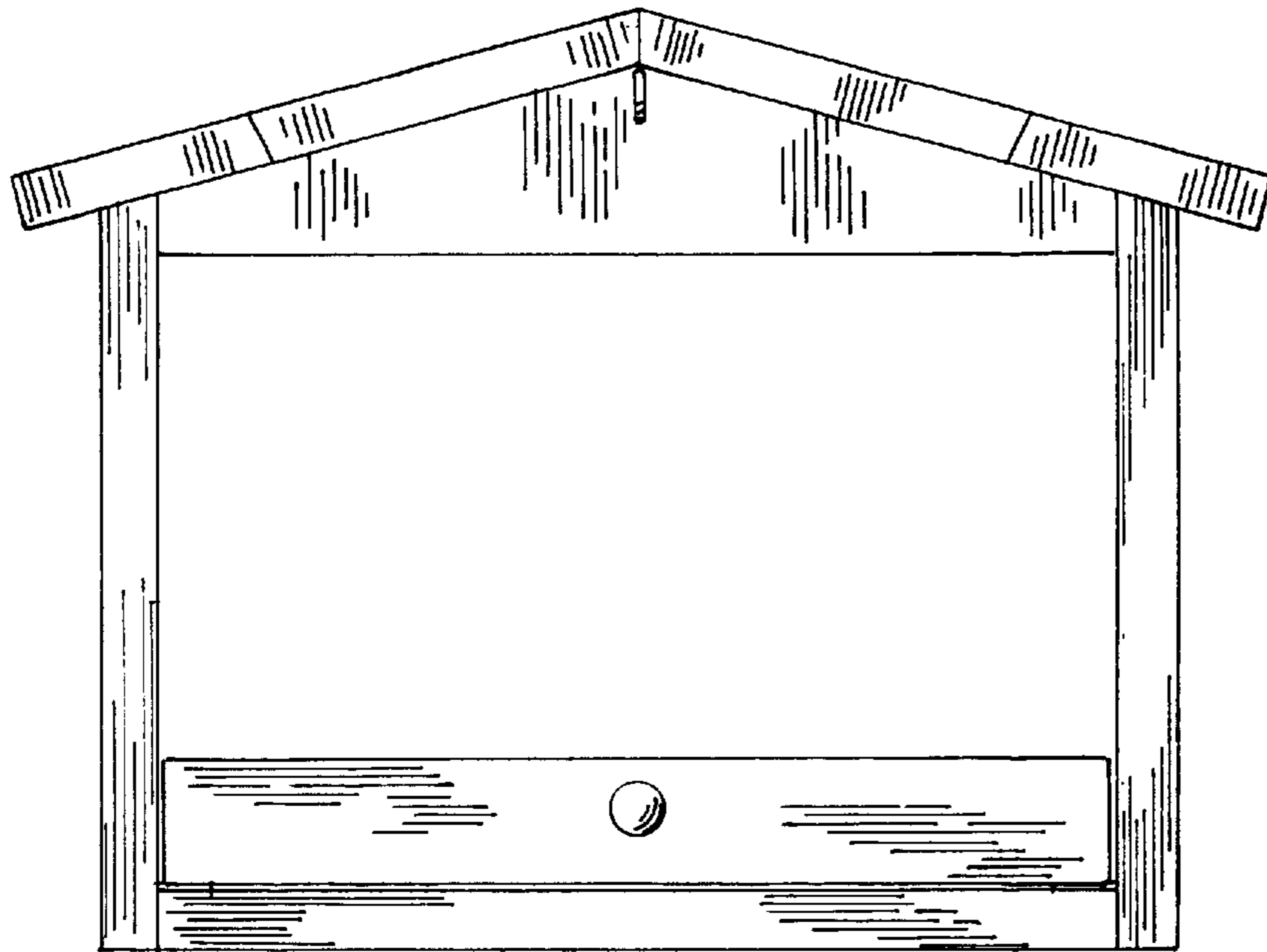


Fig. 2

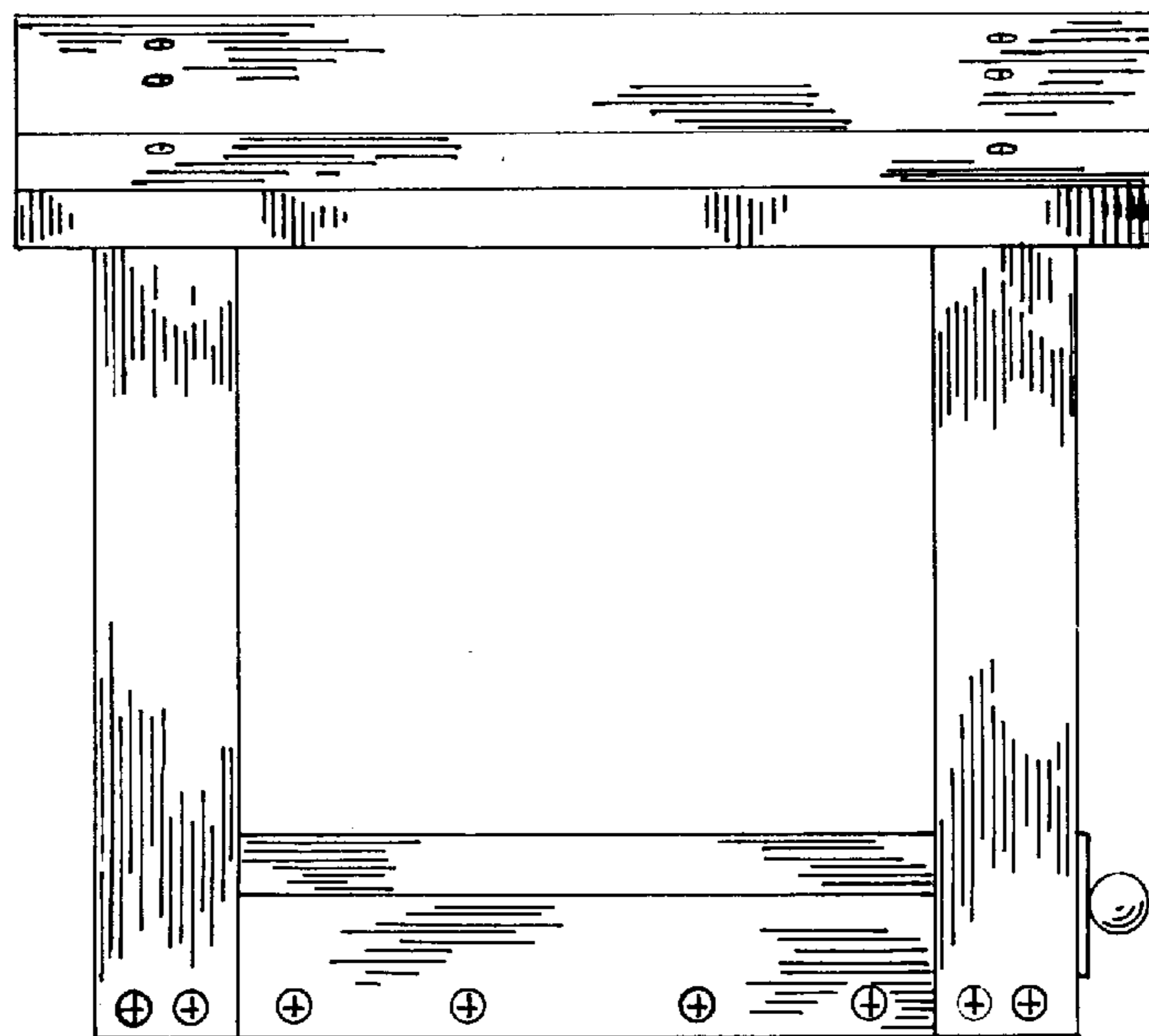


Fig. 3

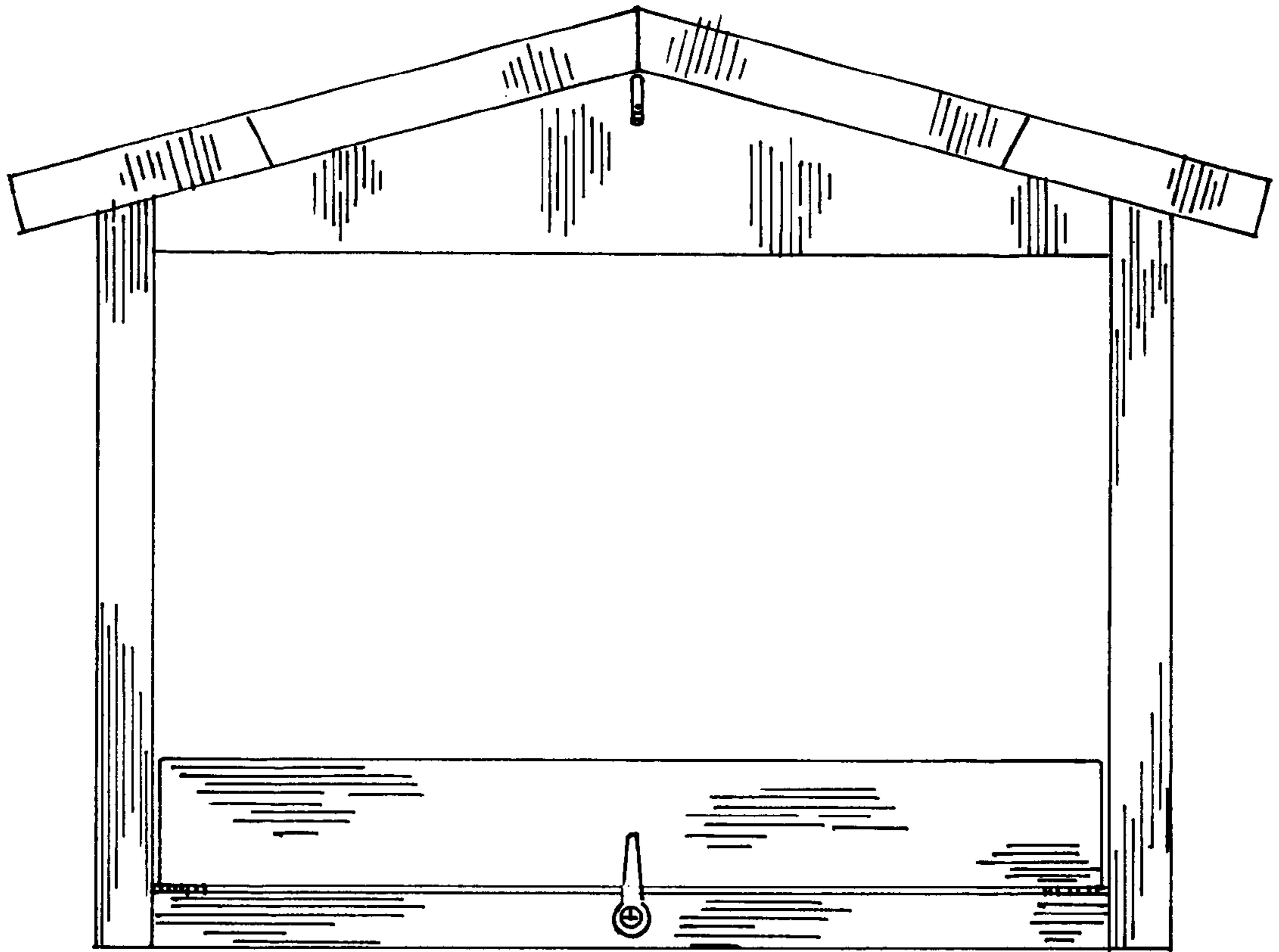


Fig. 4

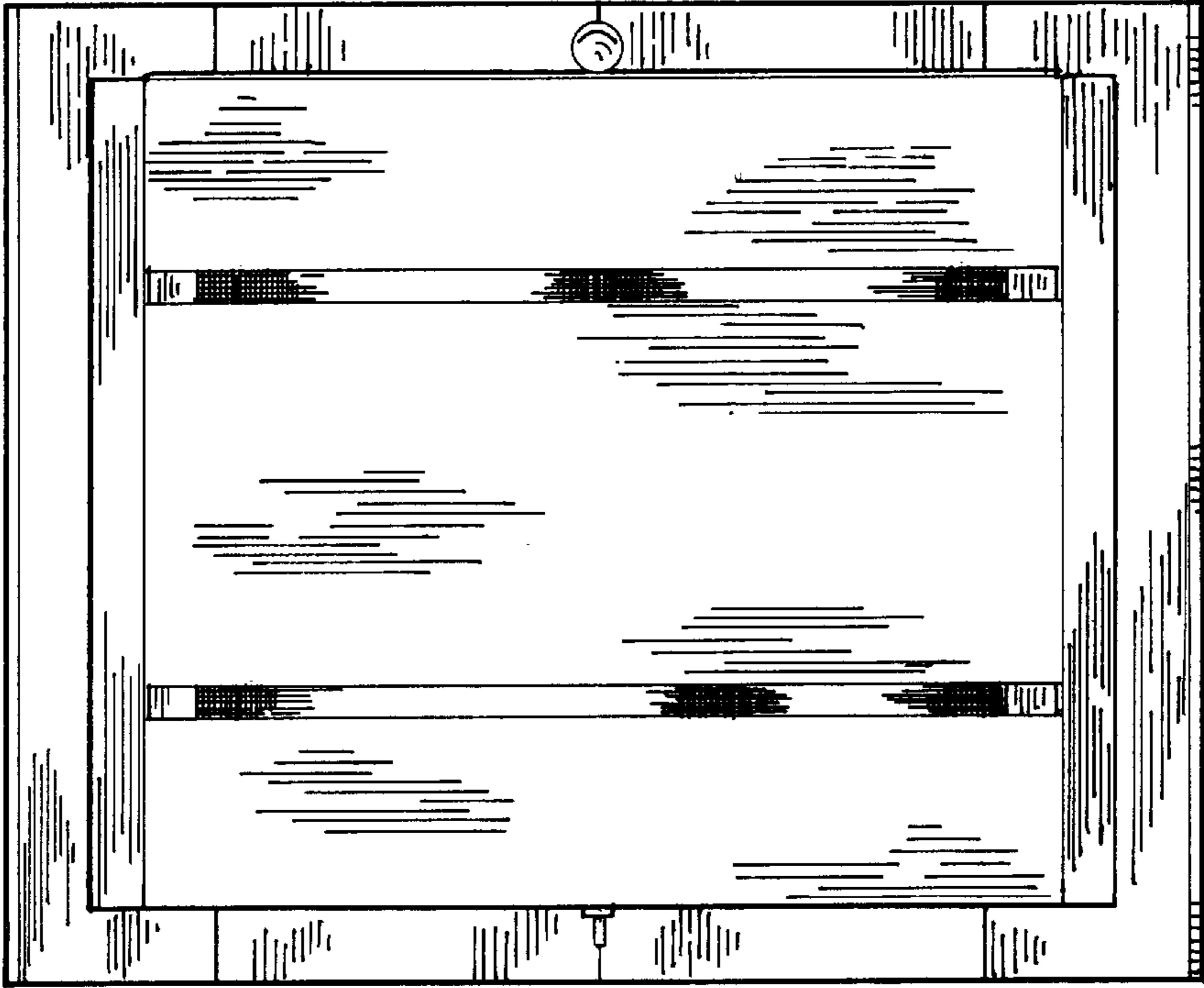


FIG. 6

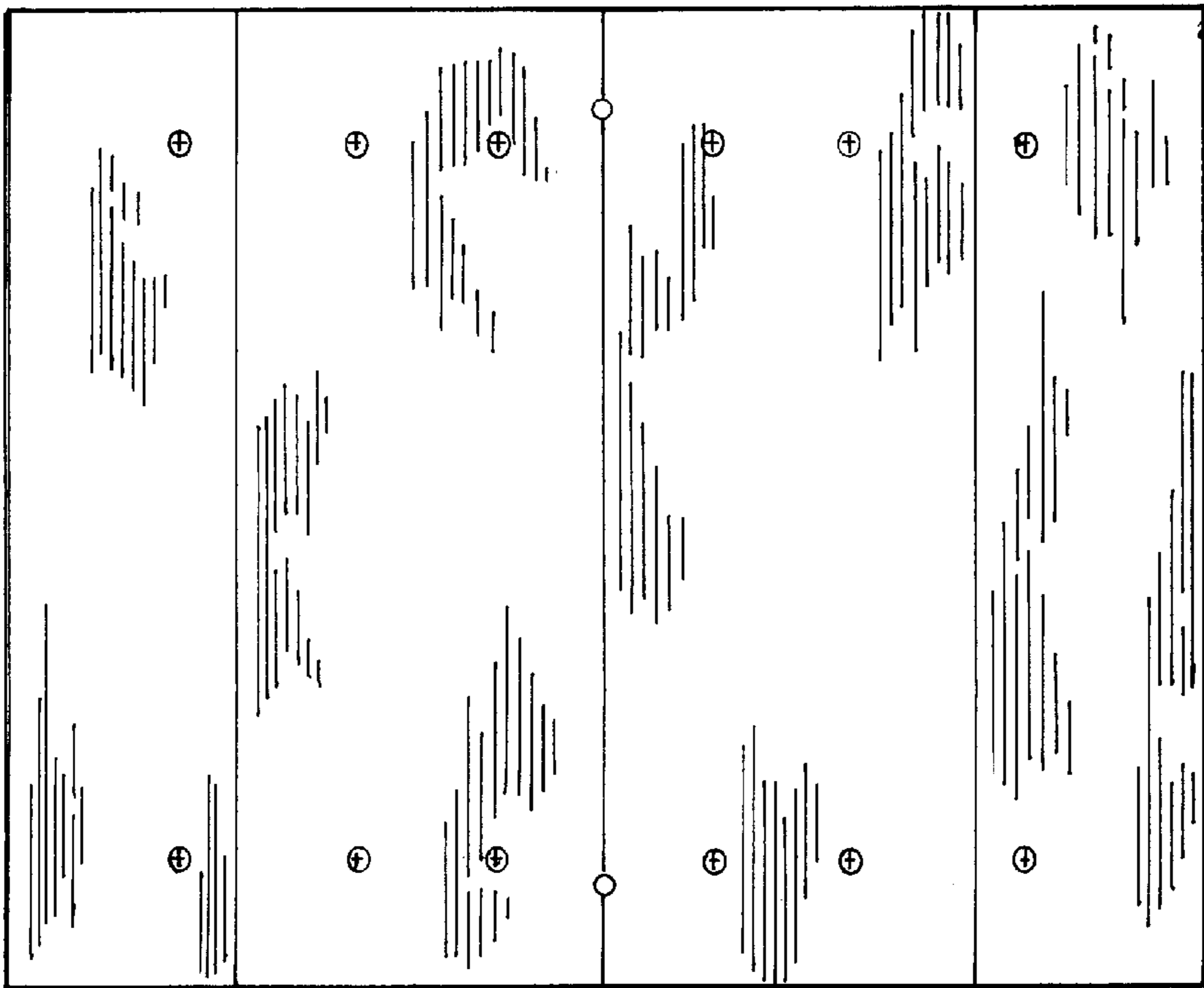


FIG. 5