



US00D428213S

United States Patent [19]

De Baschmakoff

[11] Patent Number: Des. 428,213

[45] Date of Patent: ** Jul. 11, 2000

[54] SCENT BOTTLE

[75] Inventor: **Thierry De Baschmakoff**, Paris, France

[73] Assignee: **Chaumet International S.A.**, Paris, France

[**] Term: **14 Years**

[21] Appl. No.: **29/103,732**

[22] Filed: **Apr. 21, 1999**

[51] LOC (7) Cl. **09-03**

[52] U.S. Cl. **D28/91.1; D9/544; D9/549**

[58] Field of Search D9/305, 307, 337, D9/339, 414, 500, 502, 516, 520, 527, 528, 530-531, 533, 538, 435, 545, 549-551, 523, 554, 556-558, 560, 575; D28/91.1; 40/334; 215/370, 382, 383, 384, 396, 398

[56] **References Cited**

U.S. PATENT DOCUMENTS

43,154	6/1864	Heneage	215/383
D. 77,805	2/1929	Bicks	D9/545
D. 105,379	7/1937	Guerlain	D9/542
D. 114,242	4/1939	Vuilleminot	D28/91.1
D. 129,514	9/1941	Parkinson	D9/535
D. 247,846	5/1978	Kortick	D28/91.1
D. 257,124	9/1980	Grip	D9/307

D. 260,485	9/1981	Ortal	D9/542
D. 301,307	5/1989	Pakzad	D9/535
D. 310,723	9/1990	Su	D8/91.1
D. 339,071	9/1993	Mansau	D9/558
D. 390,118	2/1998	Hanna	D9/551
D. 397,039	8/1998	Dickson et al.	D9/551

Primary Examiner—James Gandy
Assistant Examiner—Carol Rademaker
Attorney, Agent, or Firm—Bazerman & Drangel, P.C.

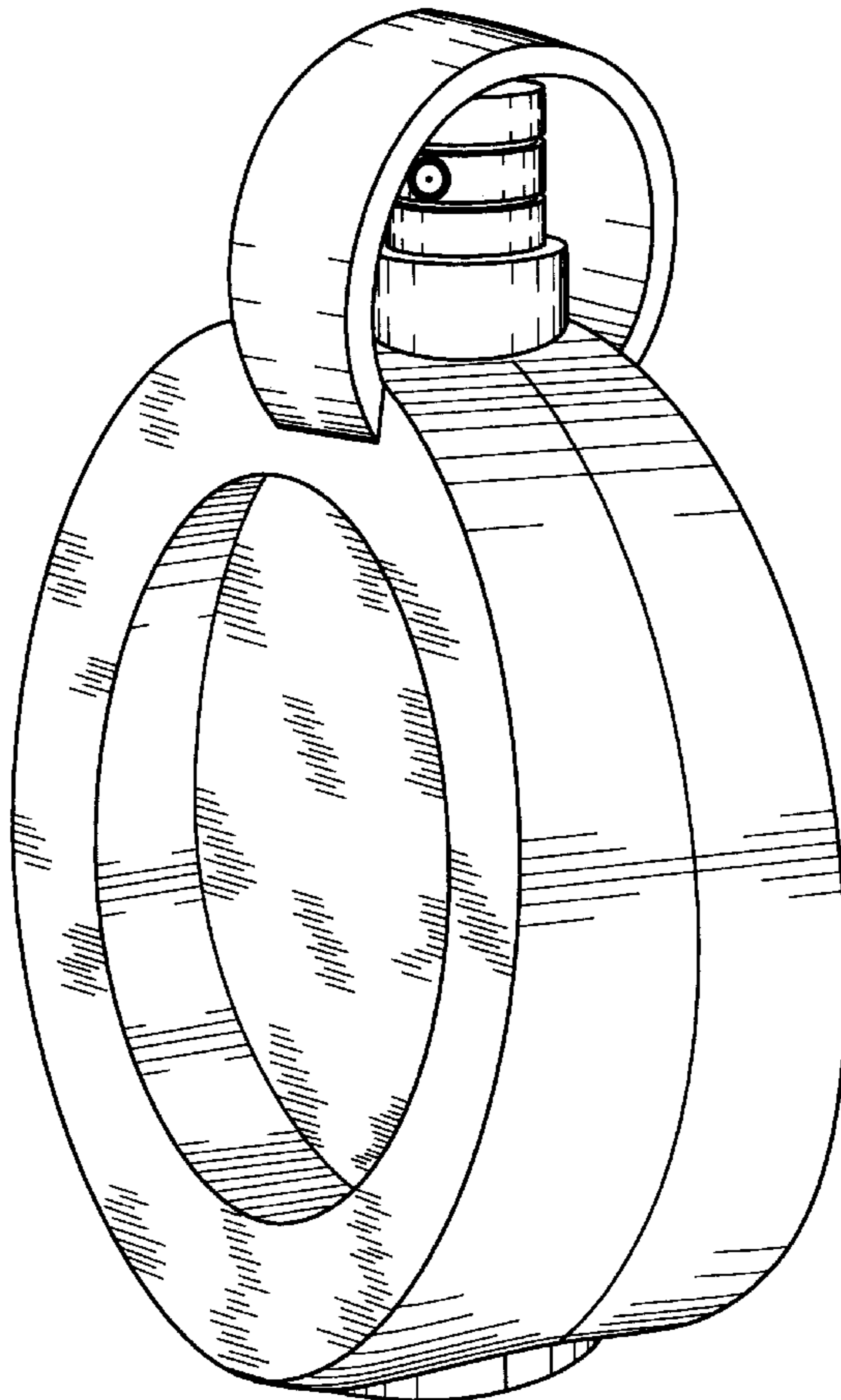
[57] **CLAIM**

The ornamental design for scent bottle, as shown and described.

DESCRIPTION

FIG. 1 is a front perspective view of the scent bottle showing my new design in closed position;
FIG. 2 is a front view thereof;
FIG. 3 is a rear view thereof;
FIG. 4 is a side view of the scent bottle showing my new design in closed position;
FIG. 5 is an opposite view and mirror image of the scent bottle shown in FIG. 4;
FIG. 6 is a bottom view thereof;
FIG. 7 is a top view thereof; and,
FIG. 8 is a front perspective view of the scent bottle showing my new design in open position.

1 Claim, 6 Drawing Sheets



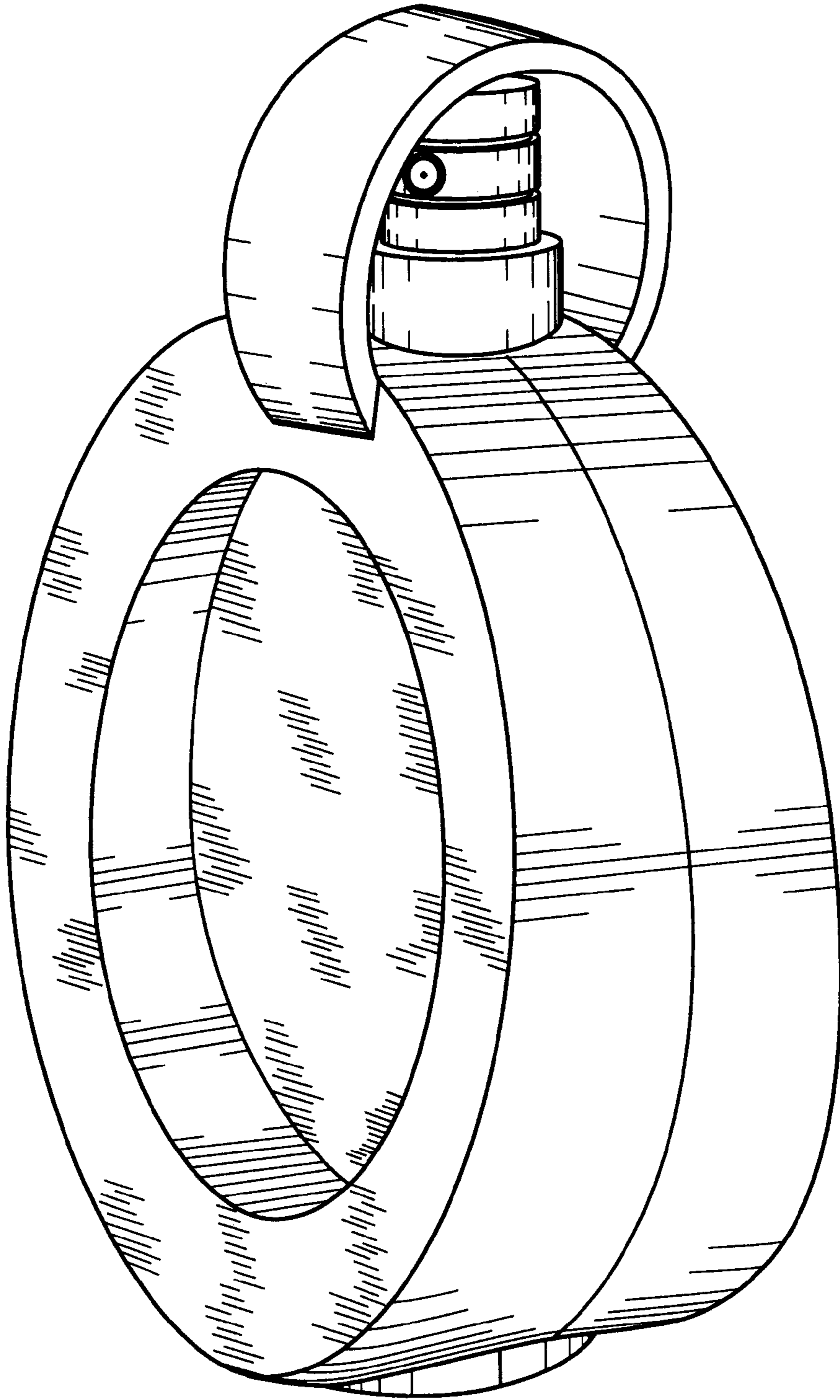


FIG. 1

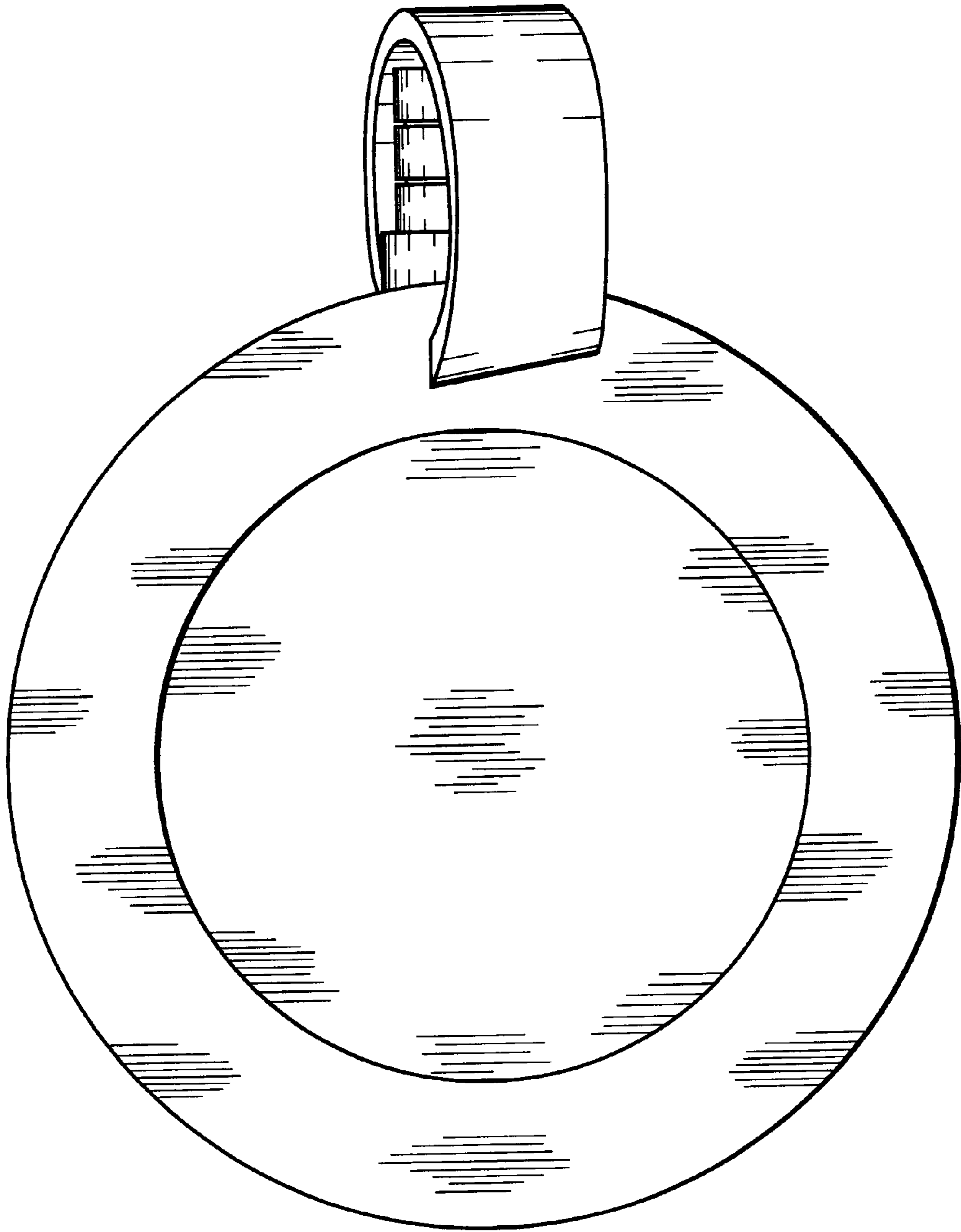


FIG. 2

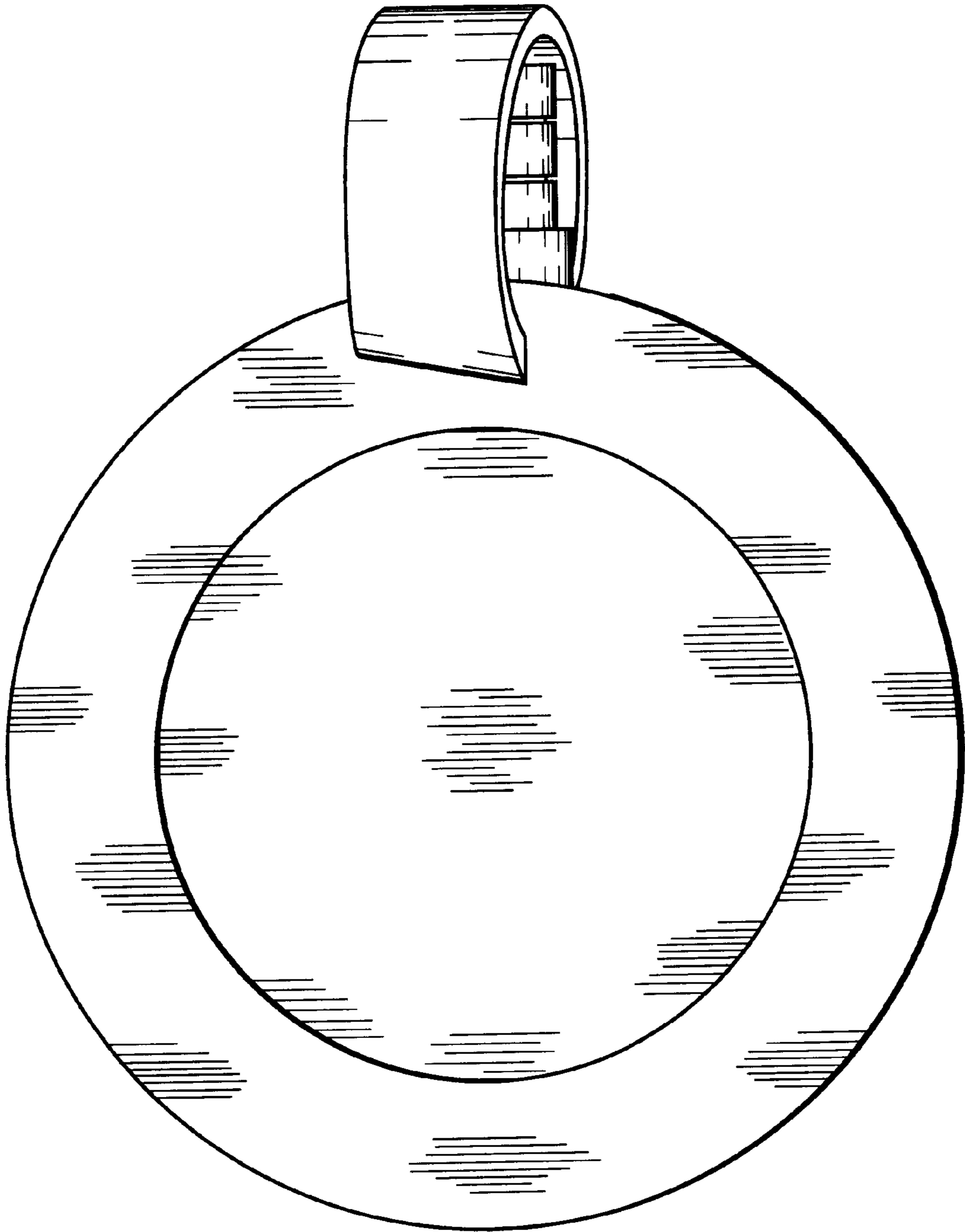


FIG. 3

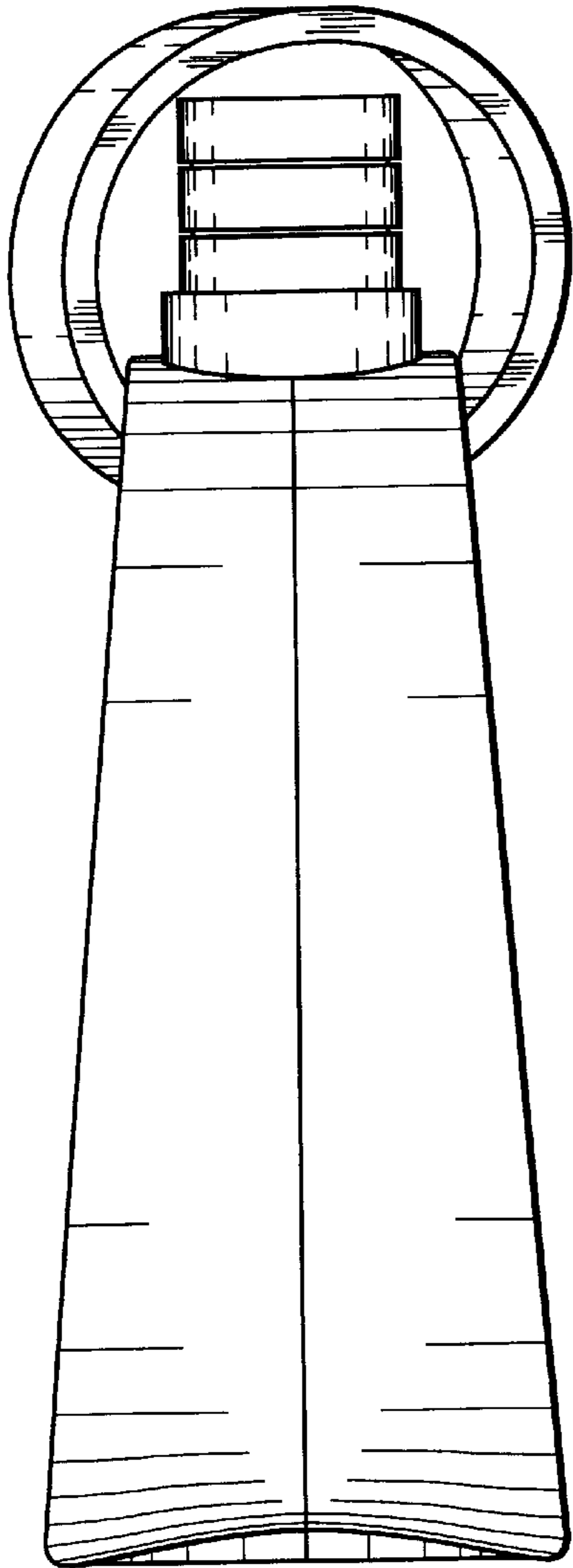


FIG. 4

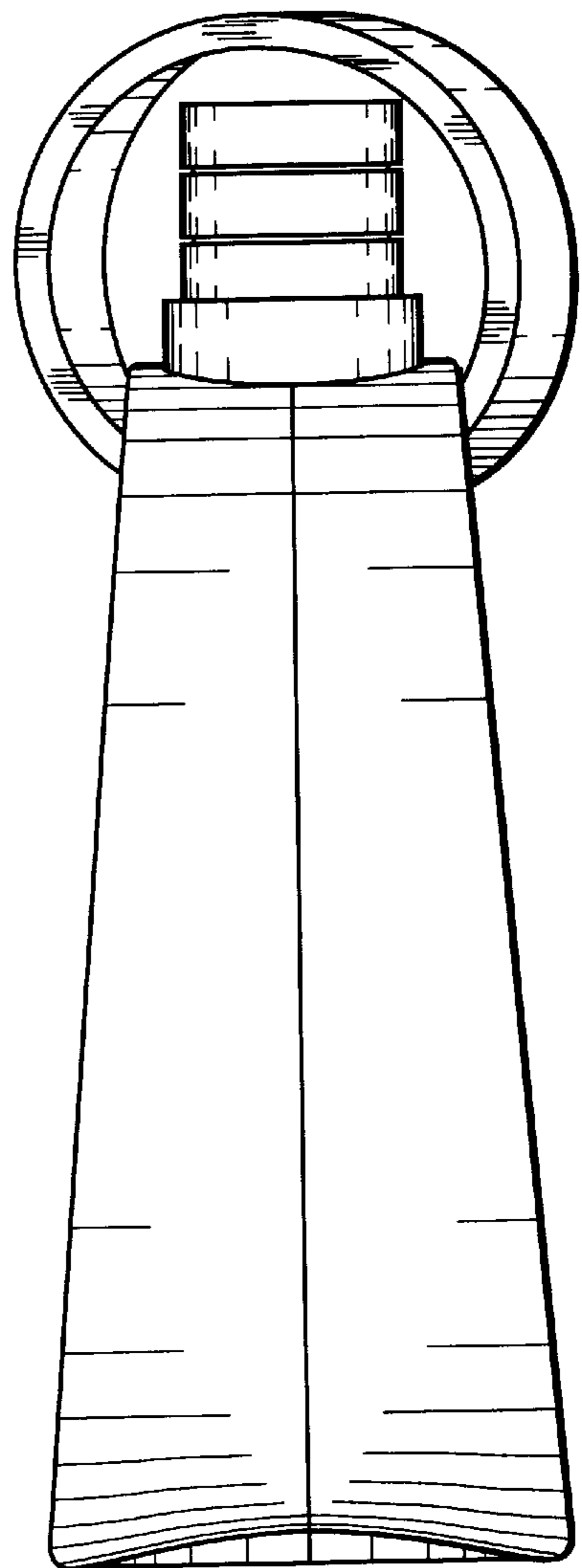


FIG. 5

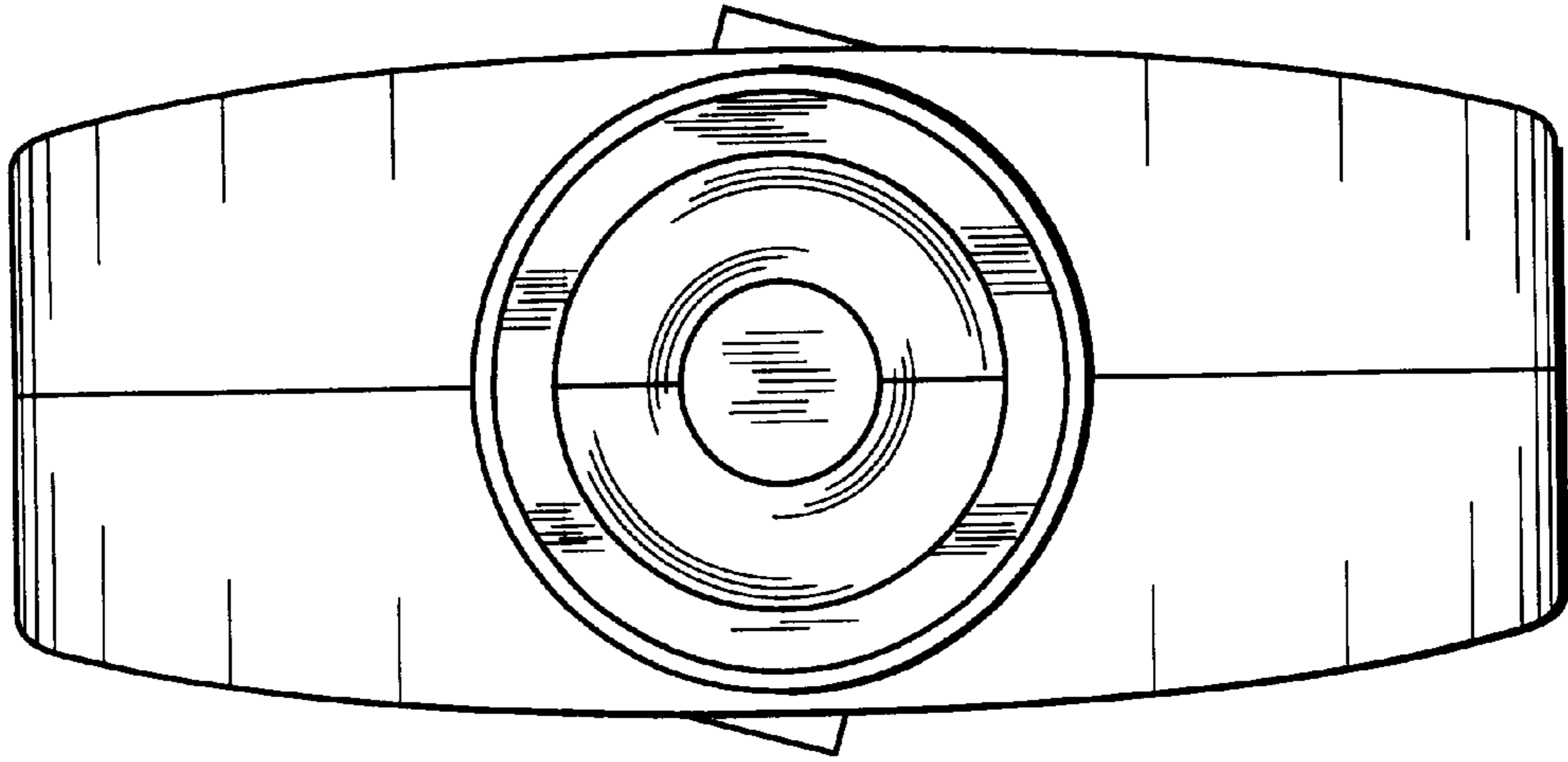


FIG. 6

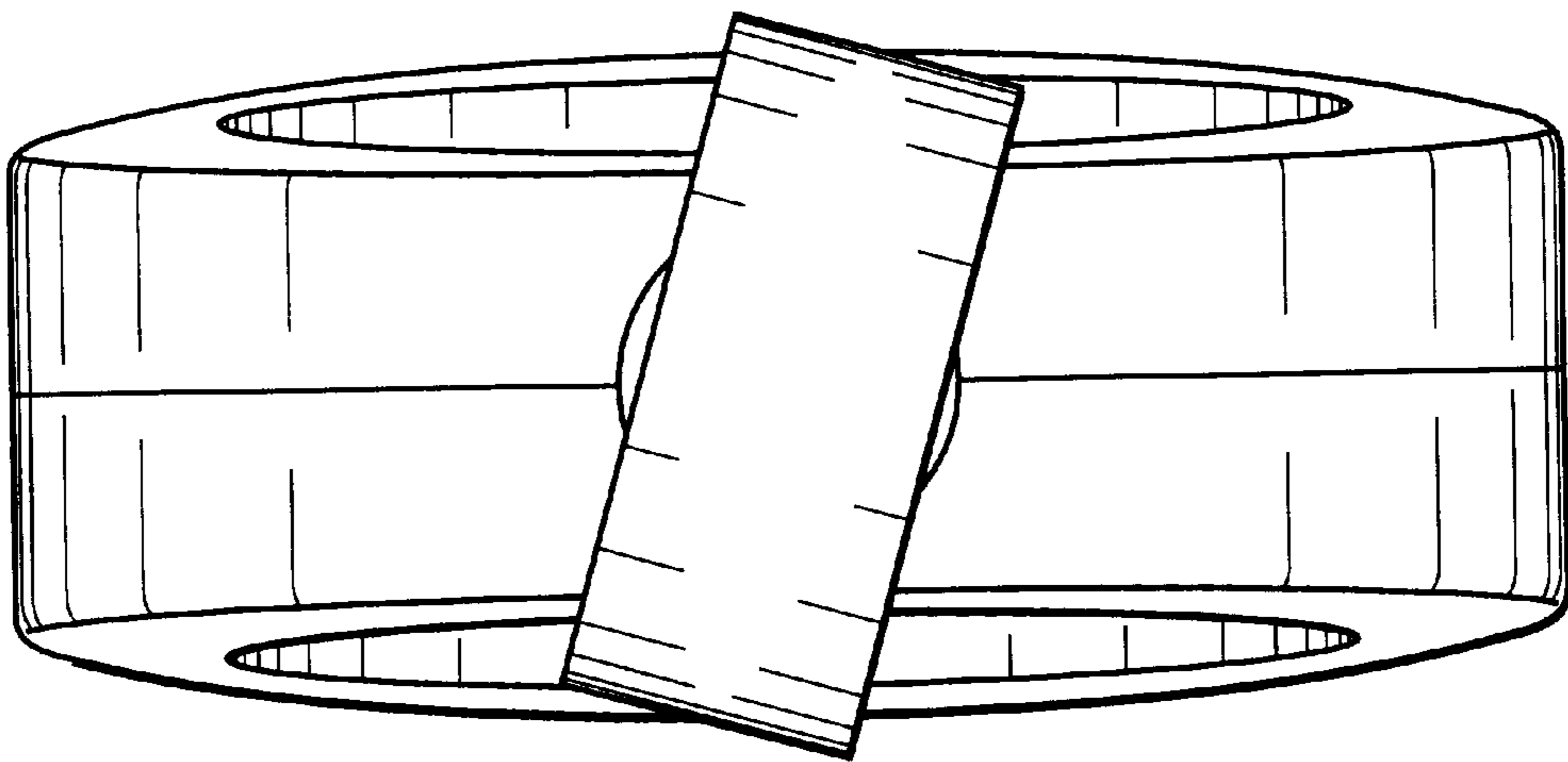


FIG. 7

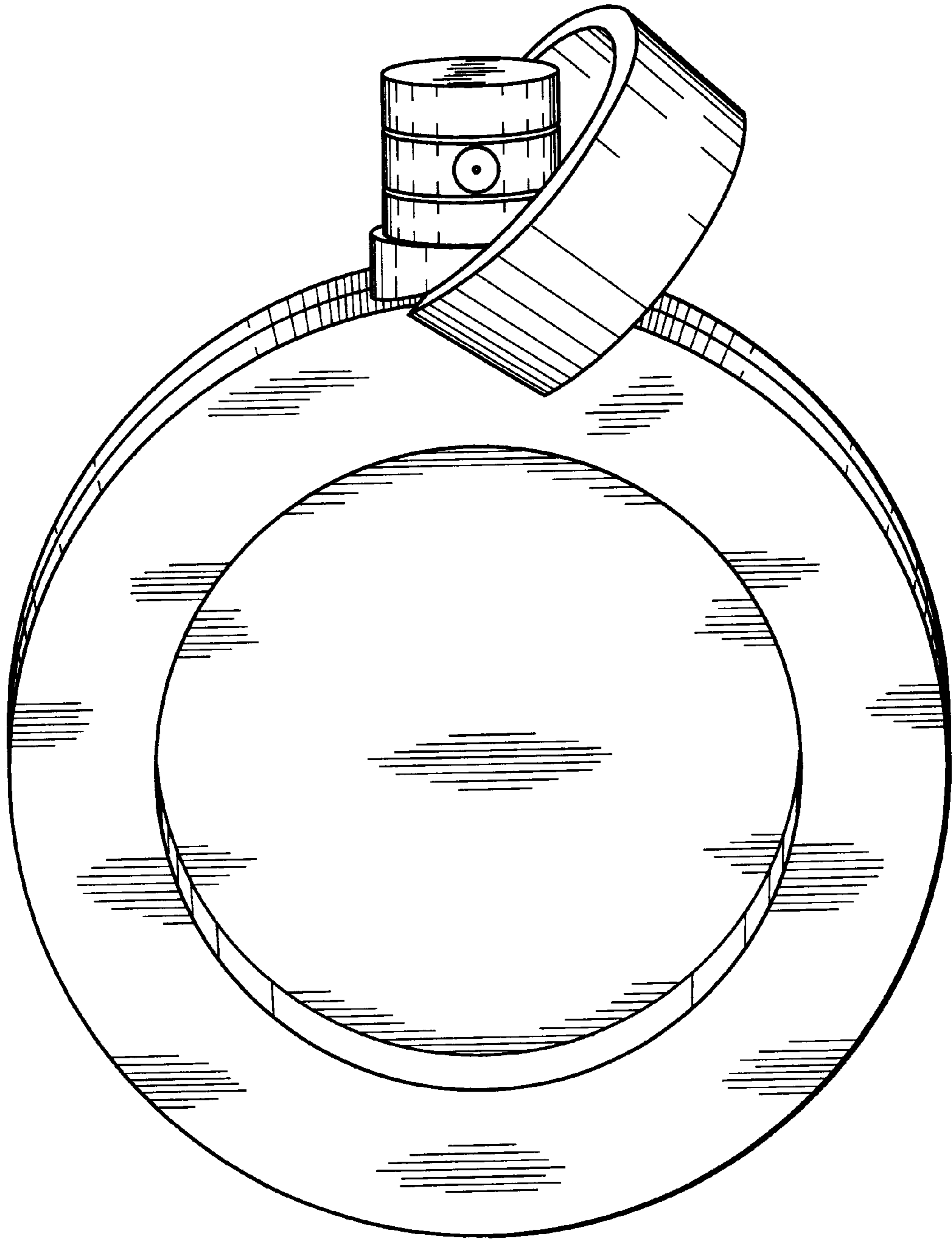


FIG. 8