



US00D428209S

United States Patent [19]

Kudo et al.

[11] Patent Number: **Des. 428,209**

[45] Date of Patent: **** Jul. 11, 2000**

[54] **EYE SHADOW CASE**

[75] Inventors: **Aoshi Kudo; Tetsuo Togasawa**, both of Tokyo, Japan

[73] Assignee: **Shiseido Co., Ltd.**, Tokyo, Japan

[**] Term: **14 Years**

[21] Appl. No.: **29/106,855**

[22] Filed: **Jun. 24, 1999**

[51] **LOC (7) Cl.** **28-03**

[52] **U.S. Cl.** **D28/78**

[58] **Field of Search** D28/76-84; D9/420; 132/293-307, 314-317; 206/235, 581, 823; 220/DIG. 26

[56] **References Cited**

U.S. PATENT DOCUMENTS

D. 277,896	3/1985	Chevassus	D28/78
D. 280,450	9/1985	Schefer	D28/78
D. 286,331	10/1986	Scoccola	D28/78
D. 303,163	8/1989	Bakic	D28/78
D. 309,358	7/1990	Machelett et al.	D28/78
D. 342,808	12/1993	Bakic	D28/82

D. 363,661	10/1995	Lambelet, Jr. et al.	D9/423
D. 381,124	7/1997	Blachut	D28/78
D. 408,591	4/1999	Litton et al.	D28/82
D. 411,649	6/1999	Bakic	D28/82

Primary Examiner—Ted Shooman

Assistant Examiner—C Tuttle

Attorney, Agent, or Firm—Kanesaka & Takeuchi

[57] **CLAIM**

The ornamental design for an eye shadow case, as shown and described.

DESCRIPTION

FIG. 1 is a front view of an eye shadow case showing our new design;

FIG. 2 is a rear view thereof;

FIG. 3 is a right side view thereof, the left view being symmetrical to the right side view;

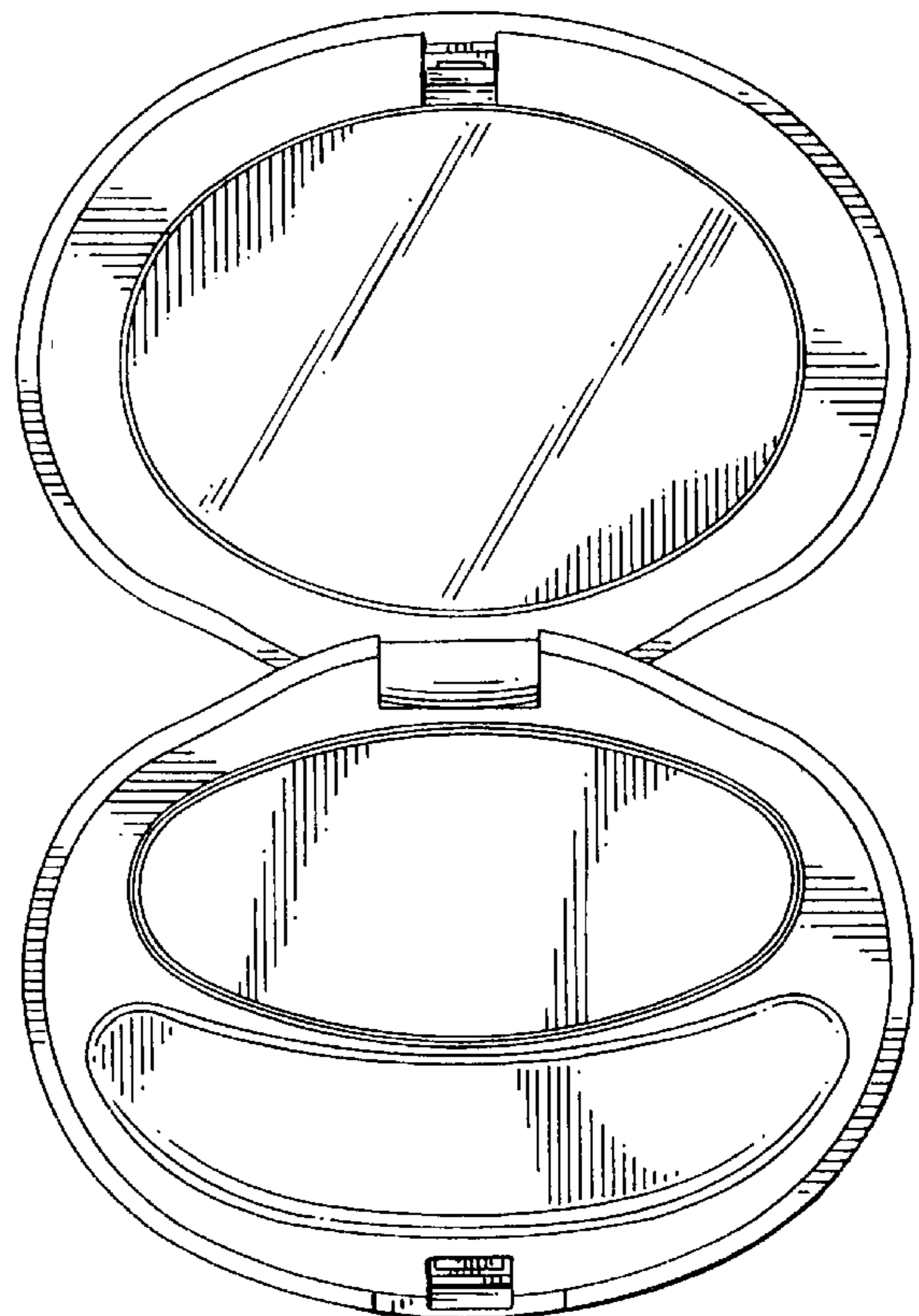
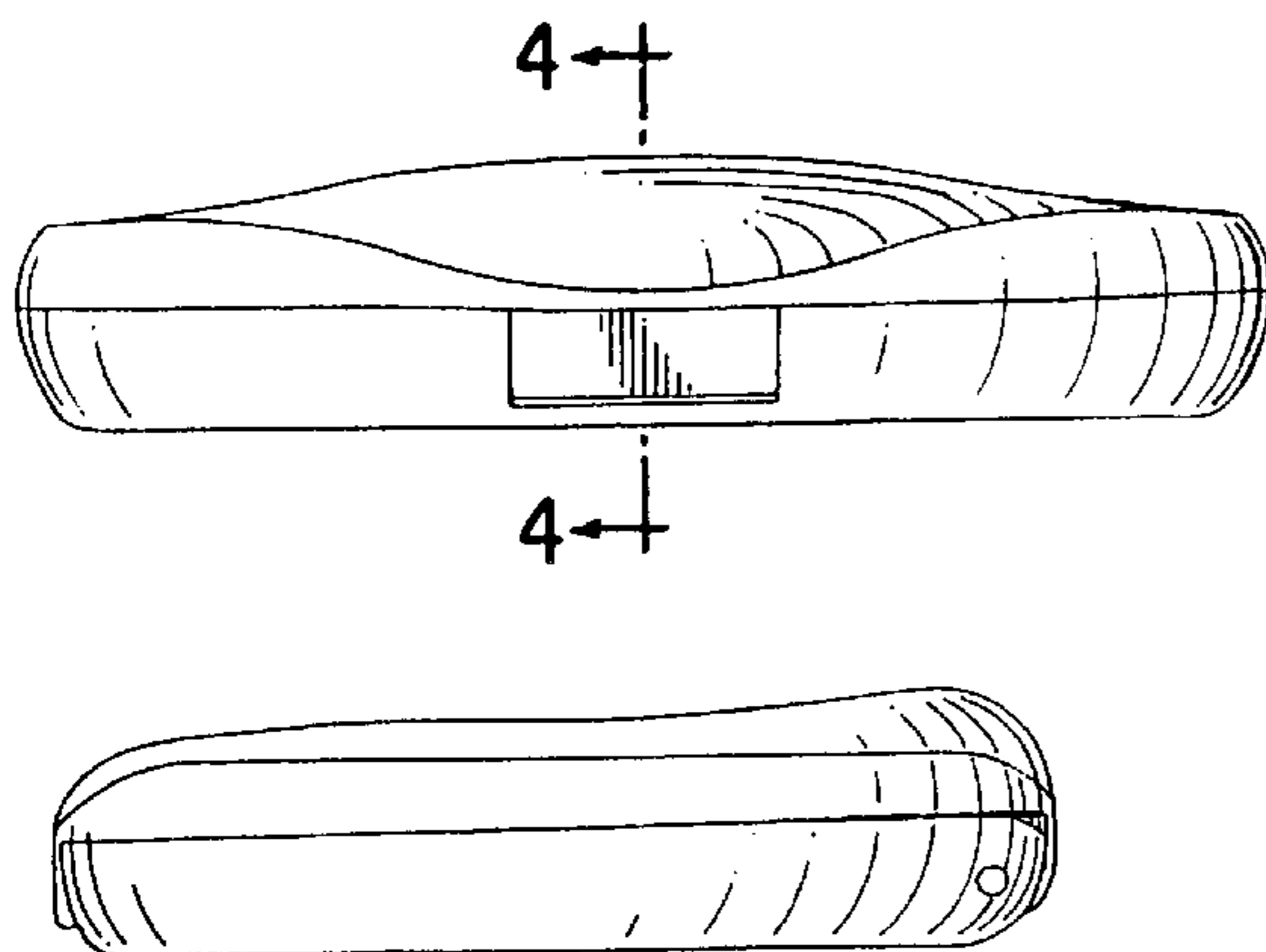
FIG. 4 is a cross sectional view taken along line 4—4 in FIG. 1;

FIG. 5 is a top plan view thereof;

FIG. 6 is a bottom plan view thereof; and,

FIG. 7 is a top plan view thereof, wherein the cover is opened.

1 Claim, 3 Drawing Sheets



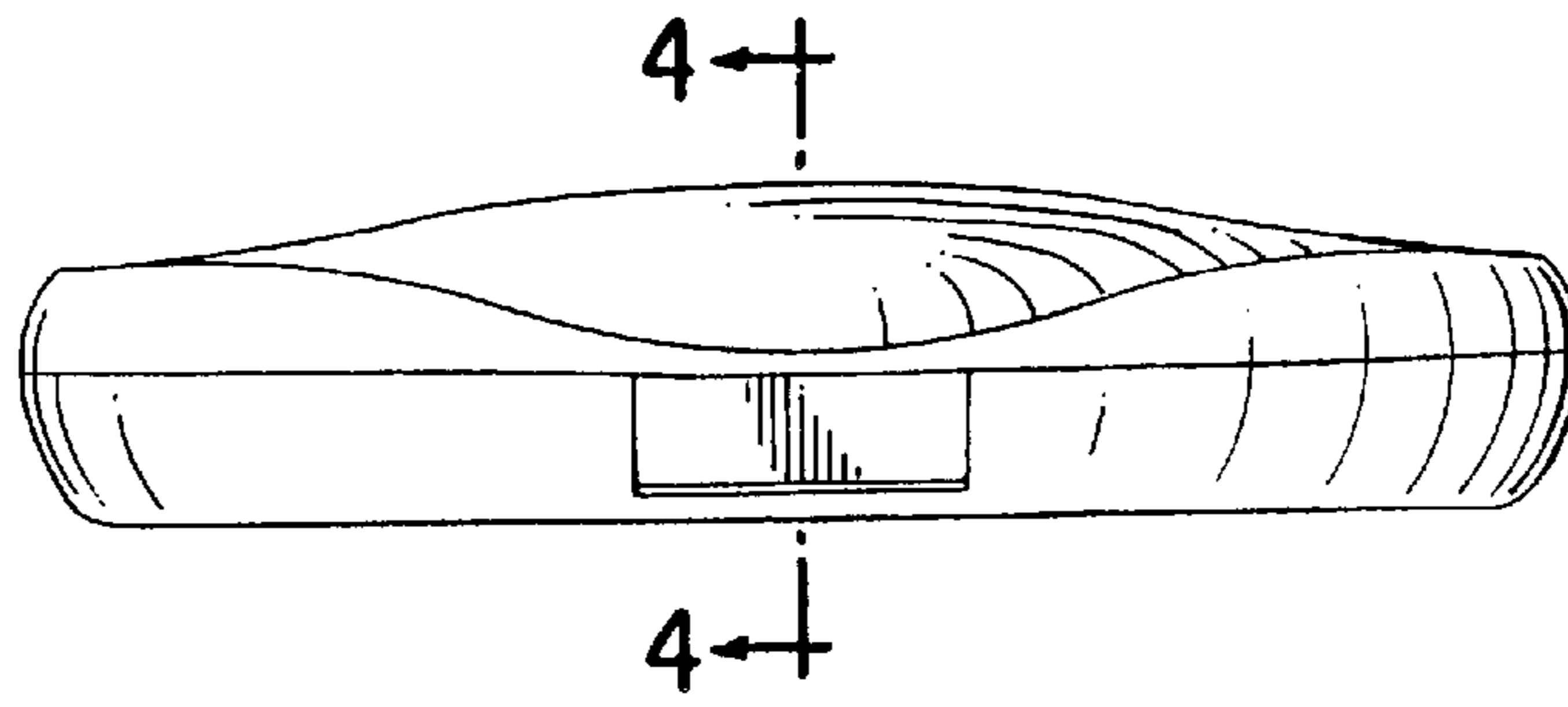


FIG. 1

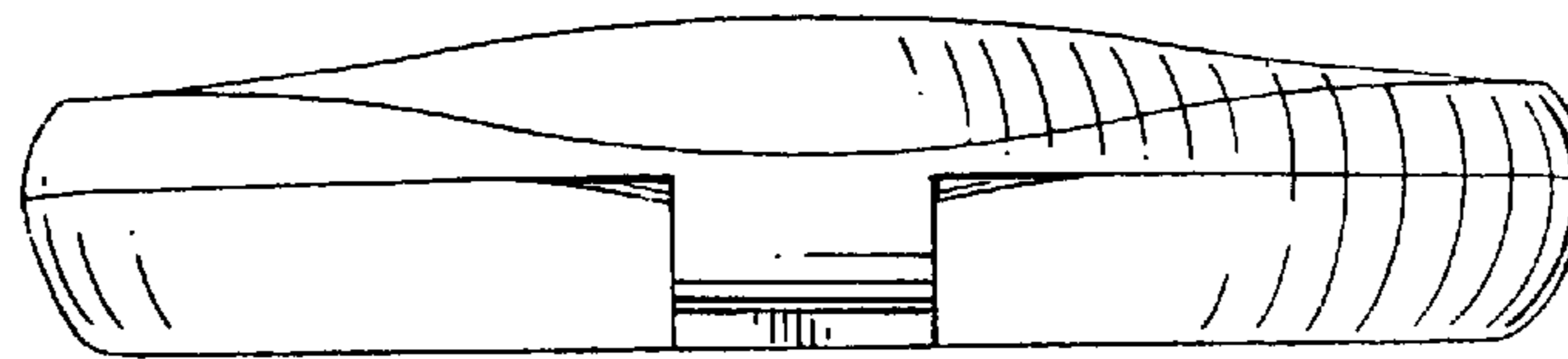


FIG. 2

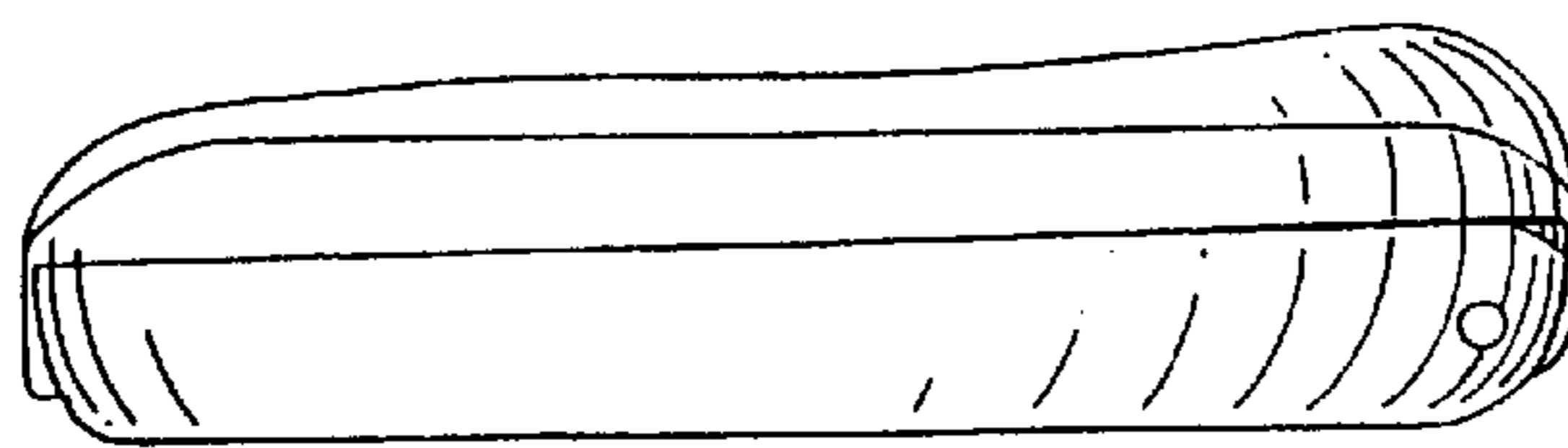


FIG. 3

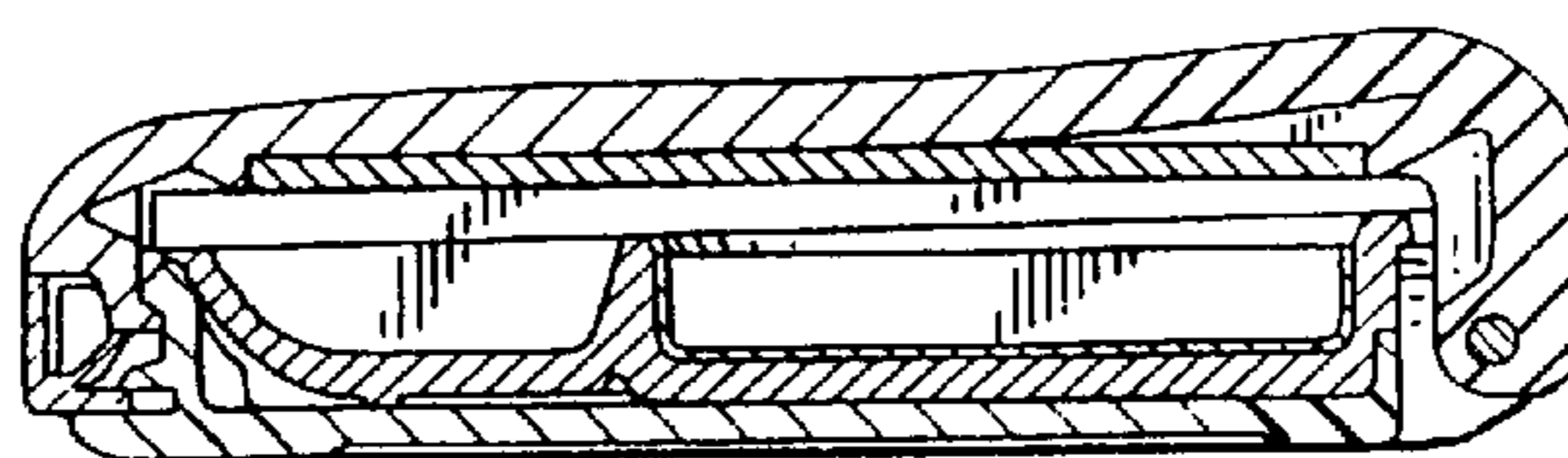


FIG. 4

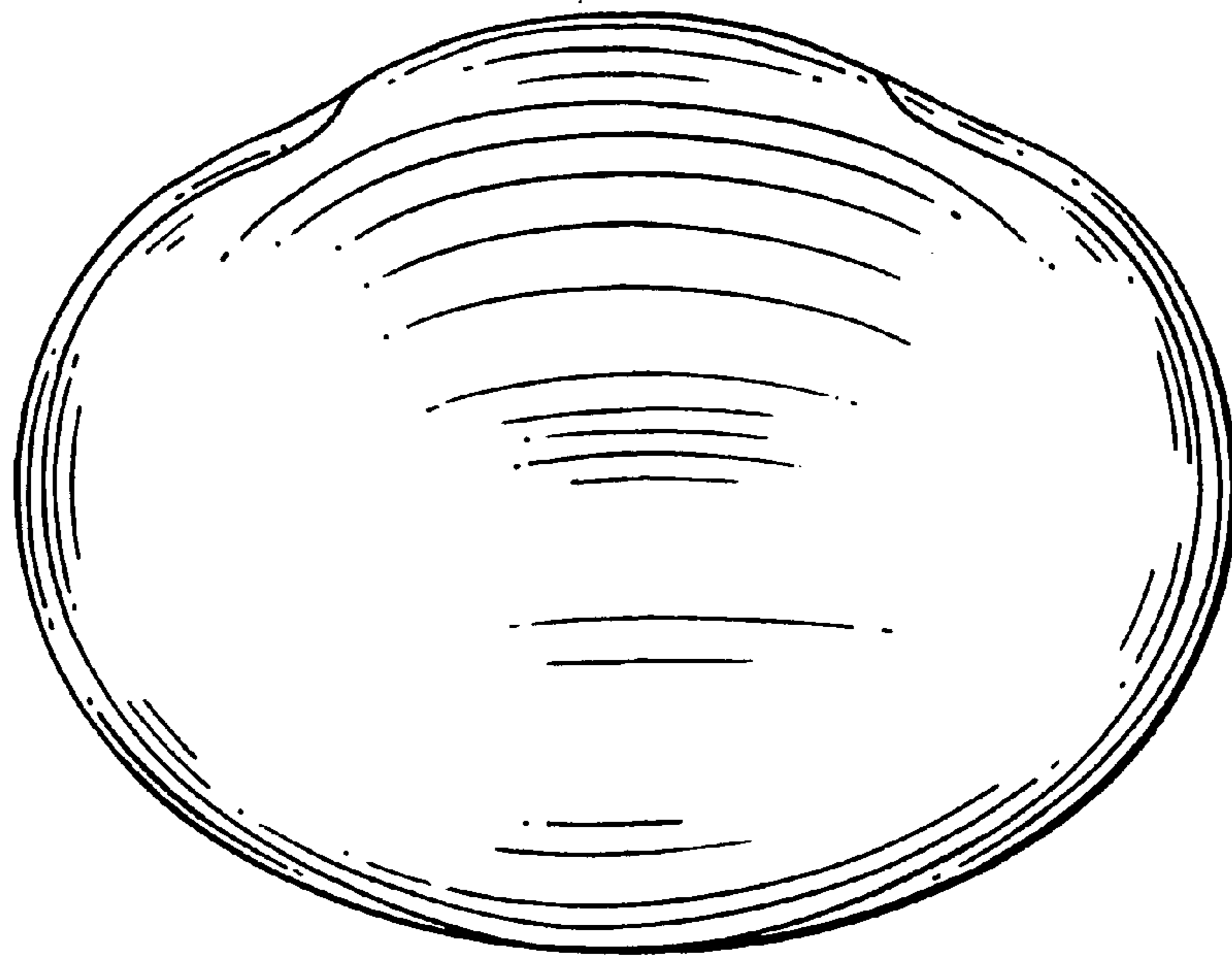


FIG. 5

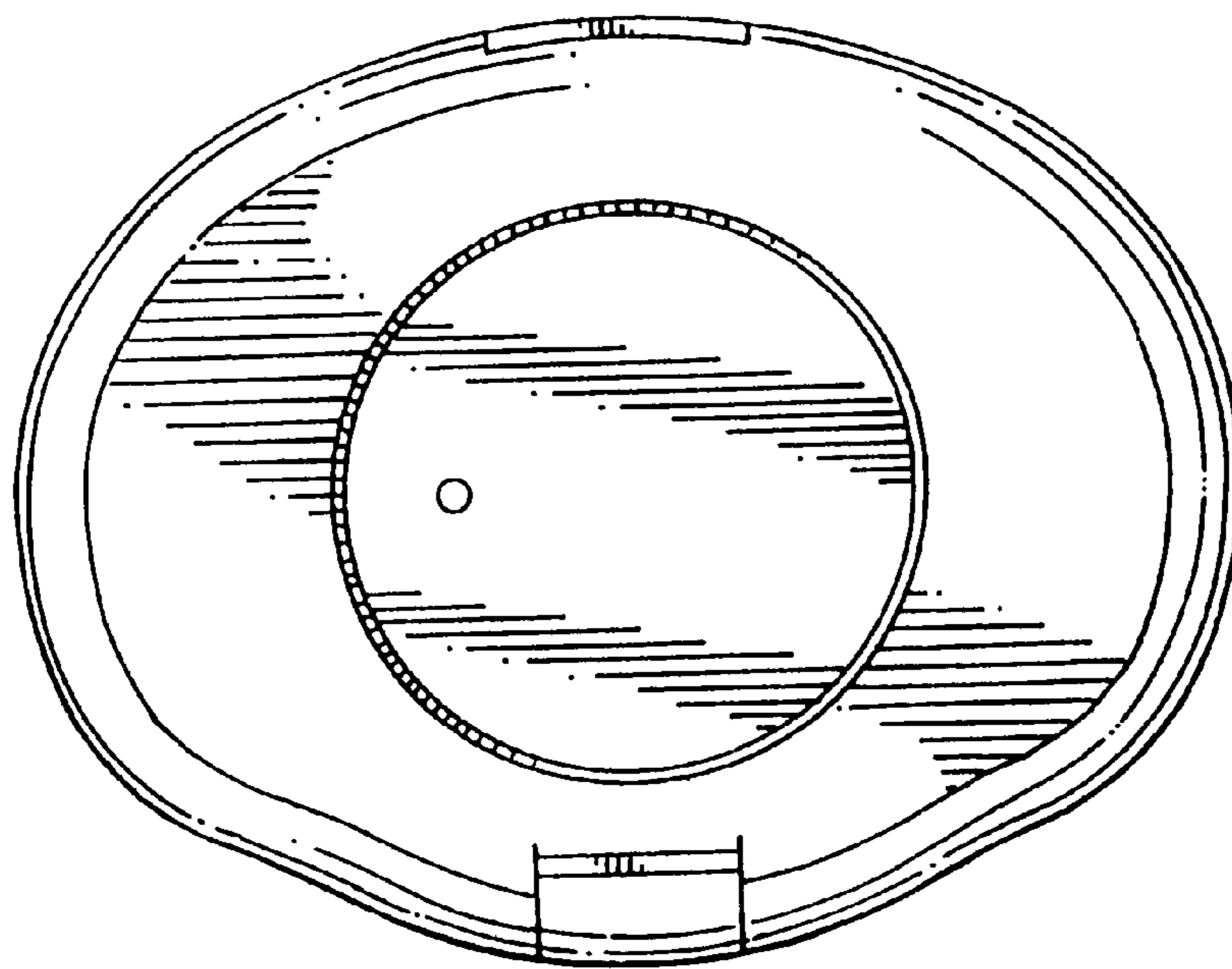


FIG. 6

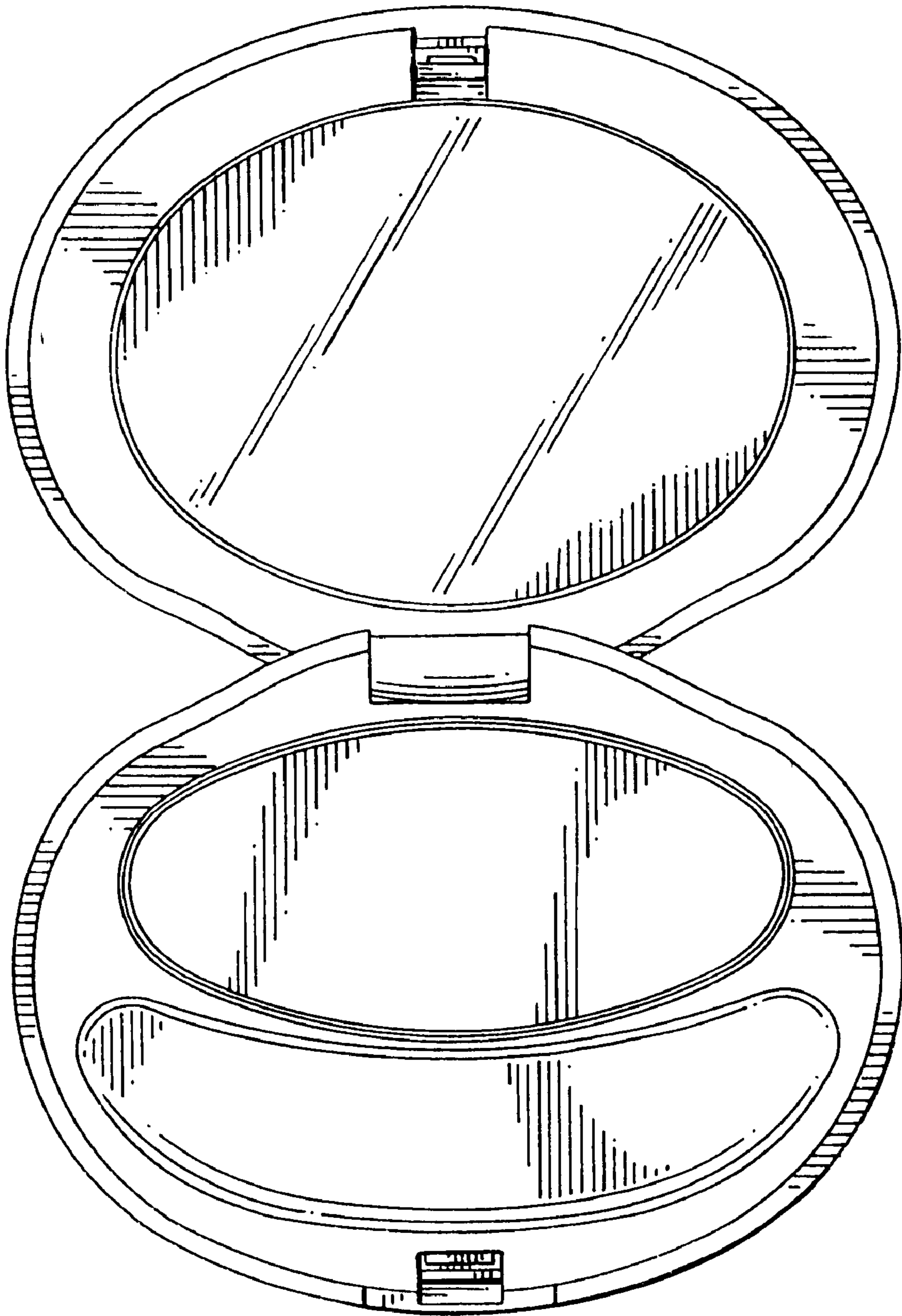


FIG. 7