



US00D428208S

United States Patent [19]

[11] **Patent Number: Des. 428,208**

Nodarse

[45] **Date of Patent: ** Jul. 11, 2000**

[54] **PICTURE HOLDER WITH PIVOTING COMPARTMENT**

Primary Examiner—Raphael Barkai
Attorney, Agent, or Firm—J. Sanchelima

[76] **Inventor: Magaly Nodarse**, 13480 SW. 30 St.,
Miami, Fla. 33175

[57] **CLAIM**

[**] **Term: 14 Years**

The ornamental design for picture holder with pivoting compartment, as shown and described.

[21] **Appl. No.: 29/108,612**

DESCRIPTION

[22] **Filed: Jul. 30, 1999**

FIG. 1 is a top plan view of a picture holder with pivoting compartment showing my new design when it is closed;
FIG. 2 is a front elevational view thereof;
FIG. 3 is a bottom plan view thereof;
FIG. 4 is a left side elevational view thereof;
FIG. 5 is a back view thereof; and
FIG. 6 is a right side elevational view thereof.
FIG. 7 is a right side view of a picture holder with pivoting compartment showing my design when it is open;
FIG. 8 is a back view thereof thereof;
FIG. 9 is a left side elevational view thereof;
FIG. 10 is a top plan view thereof;
FIG. 11 is a front elevational view thereof; and,
FIG. 12 is a bottom plan view thereof.

[51] **LOC (7) Cl. 28-03**

[52] **U.S. Cl. D28/77; D28/83**

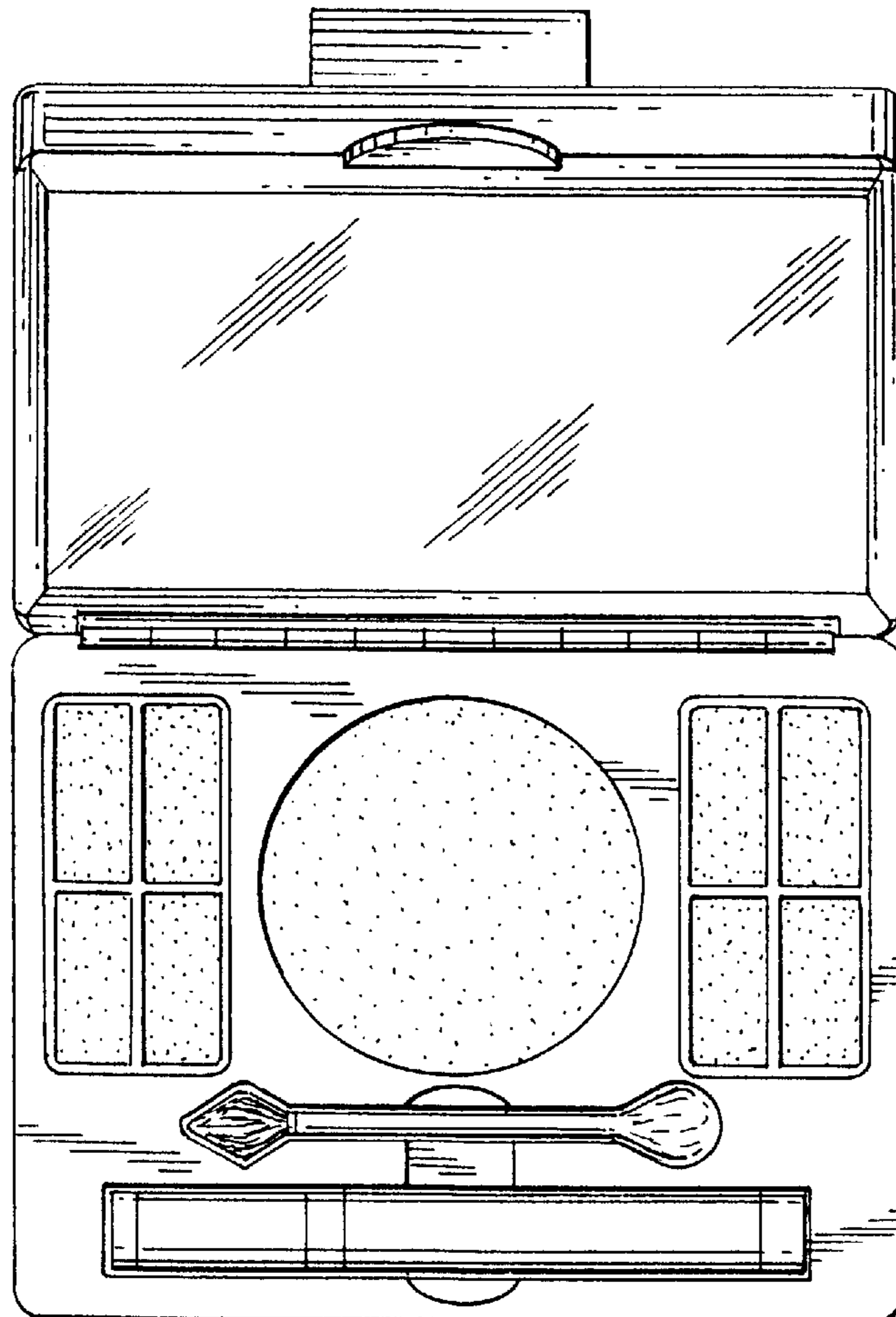
[58] **Field of Search D28/76-83; 132/293-307;**
220/DIG. 26; 206/235, 581

[56] **References Cited**

U.S. PATENT DOCUMENTS

| | | | | |
|------------|---------|---------------|-------|---------|
| D. 283,853 | 5/1986 | Wistrand | | D28/83 |
| D. 332,328 | 1/1993 | Lombardi, Jr. | | D28/83 |
| D. 383,569 | 9/1997 | Arbree | | D28/77 |
| D. 404,532 | 1/1999 | Castagna | | D28/77 |
| 5,092,354 | 3/1992 | Pacelli, Jr. | | 206/581 |
| 5,363,969 | 11/1994 | Shen | | 132/305 |
| 5,655,553 | 8/1997 | Giese et al. | | 132/293 |

1 Claim, 4 Drawing Sheets



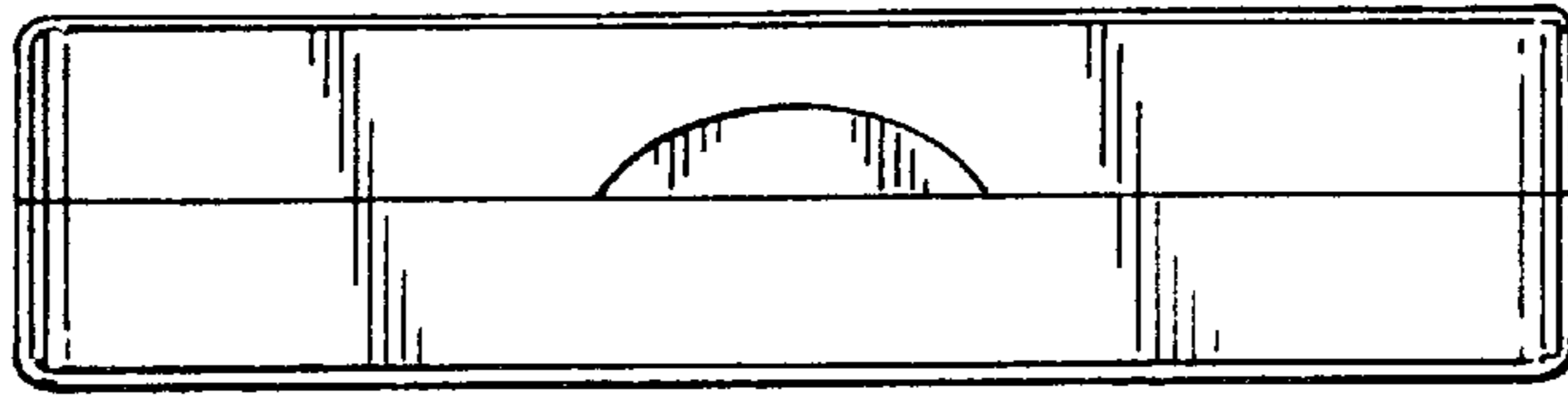


FIG. 1.

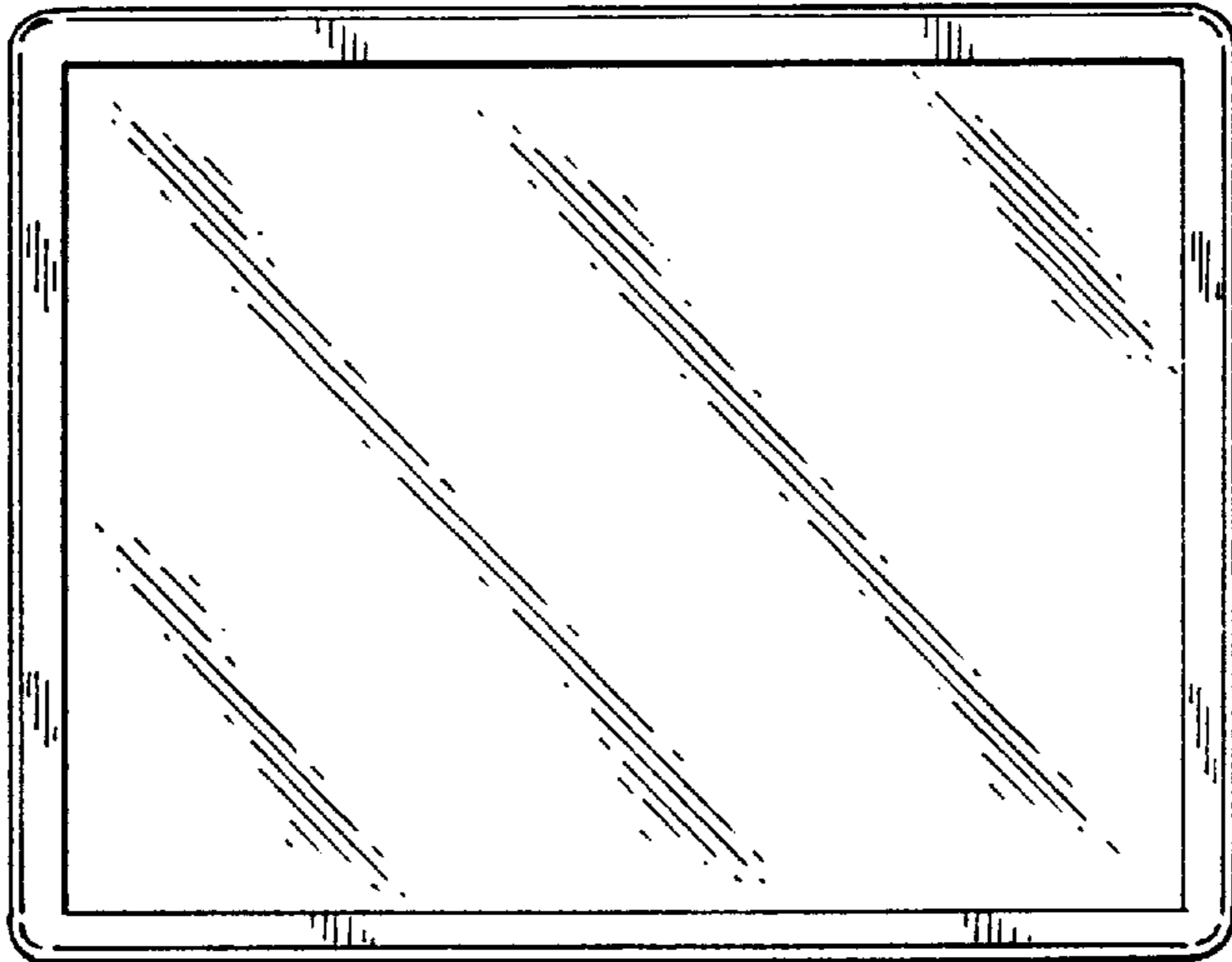


FIG. 2.

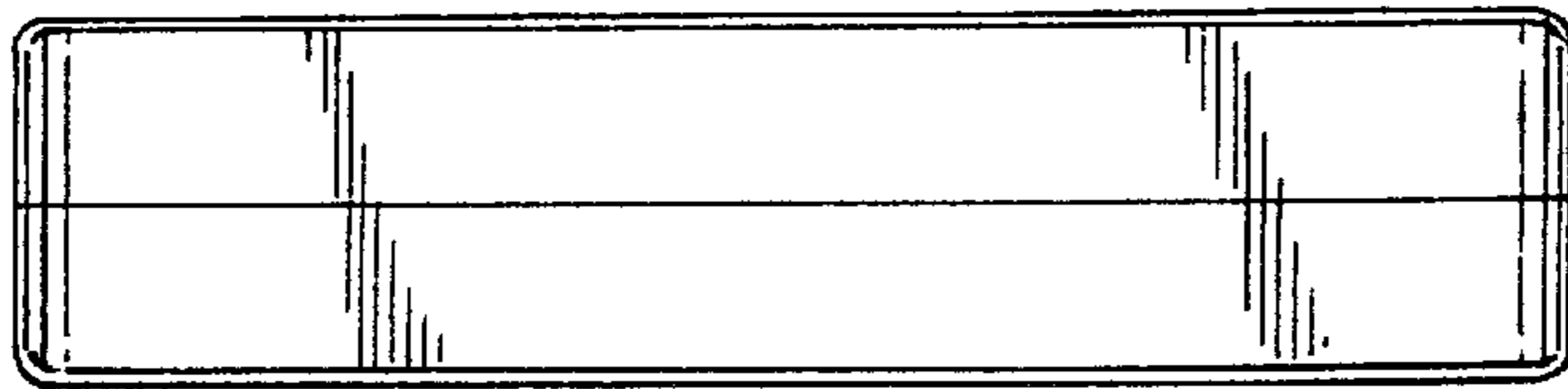


FIG. 3.

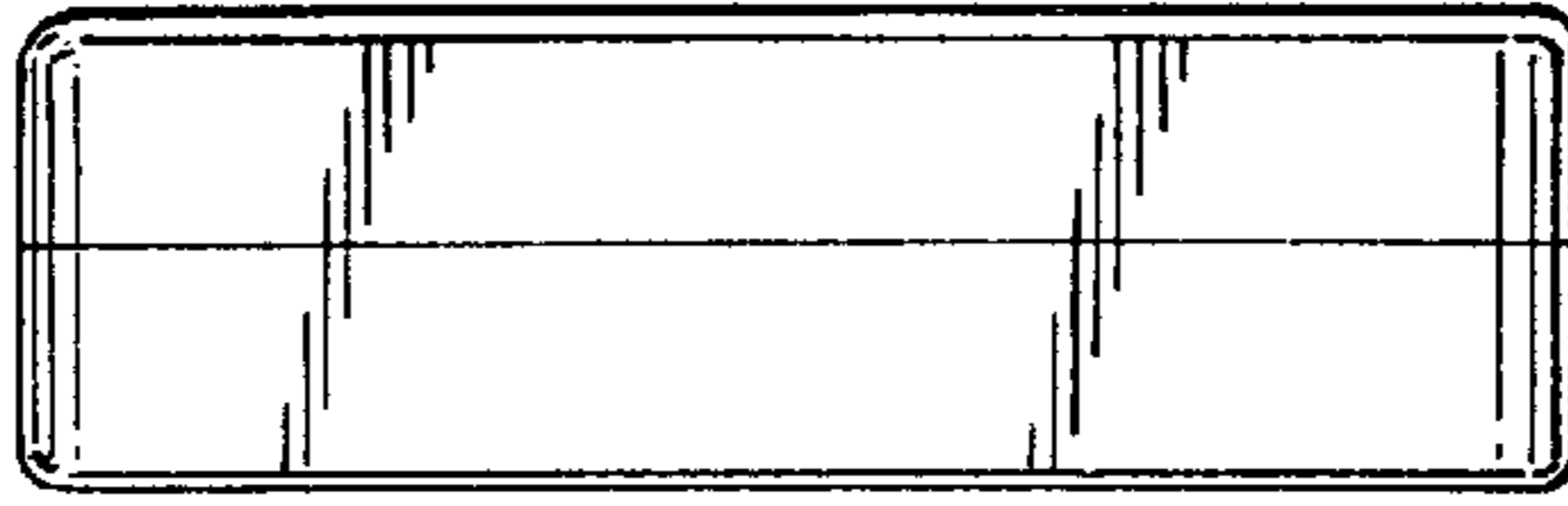


FIG. 6.

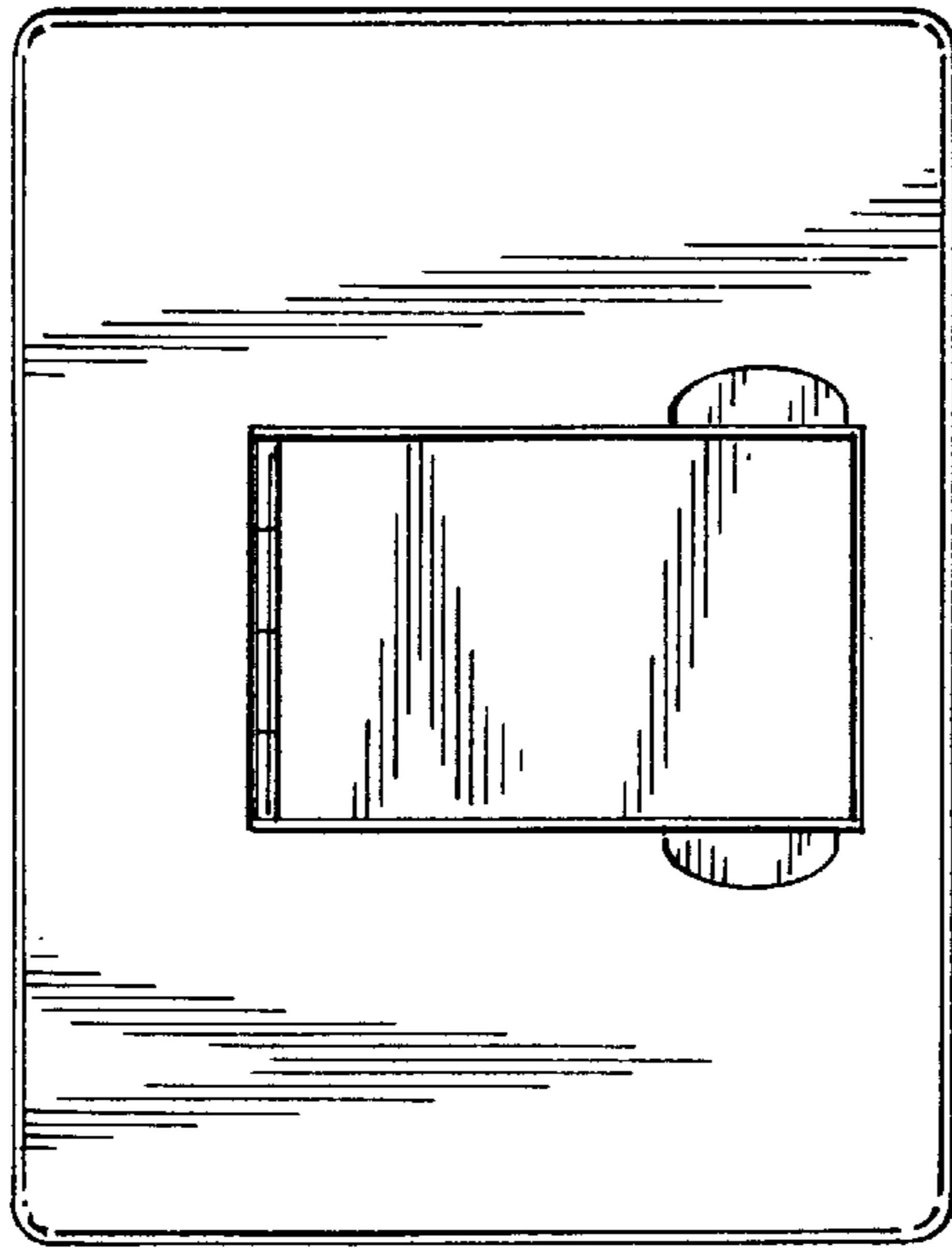


FIG. 5.

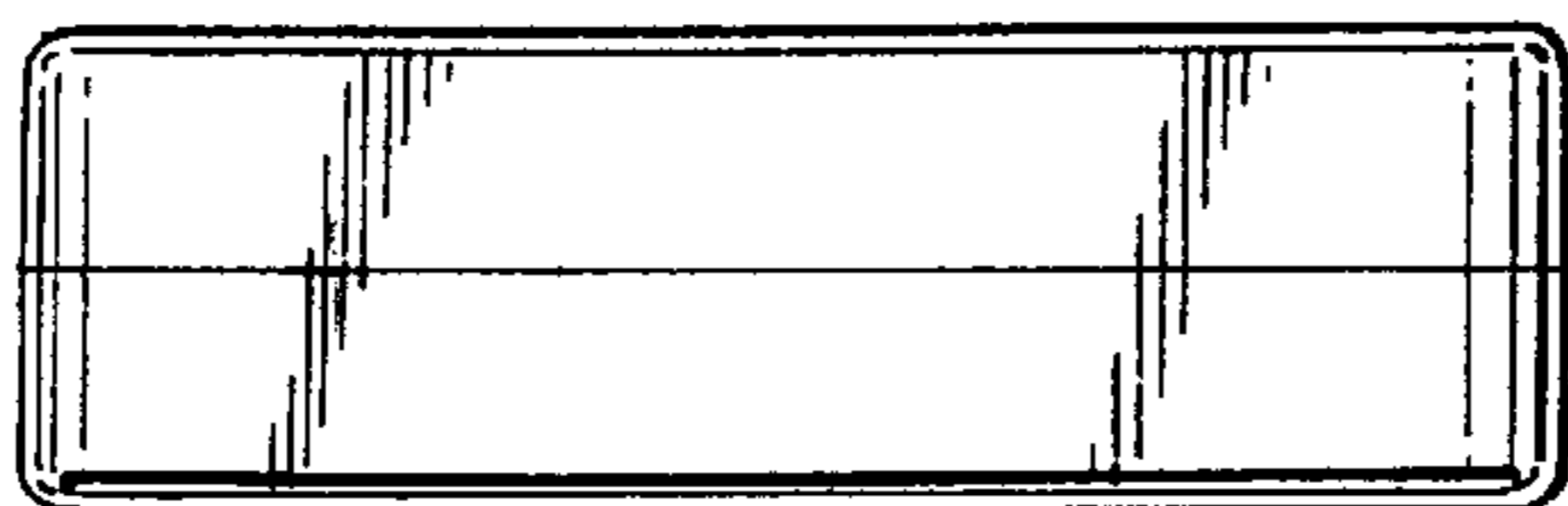


FIG. 4.

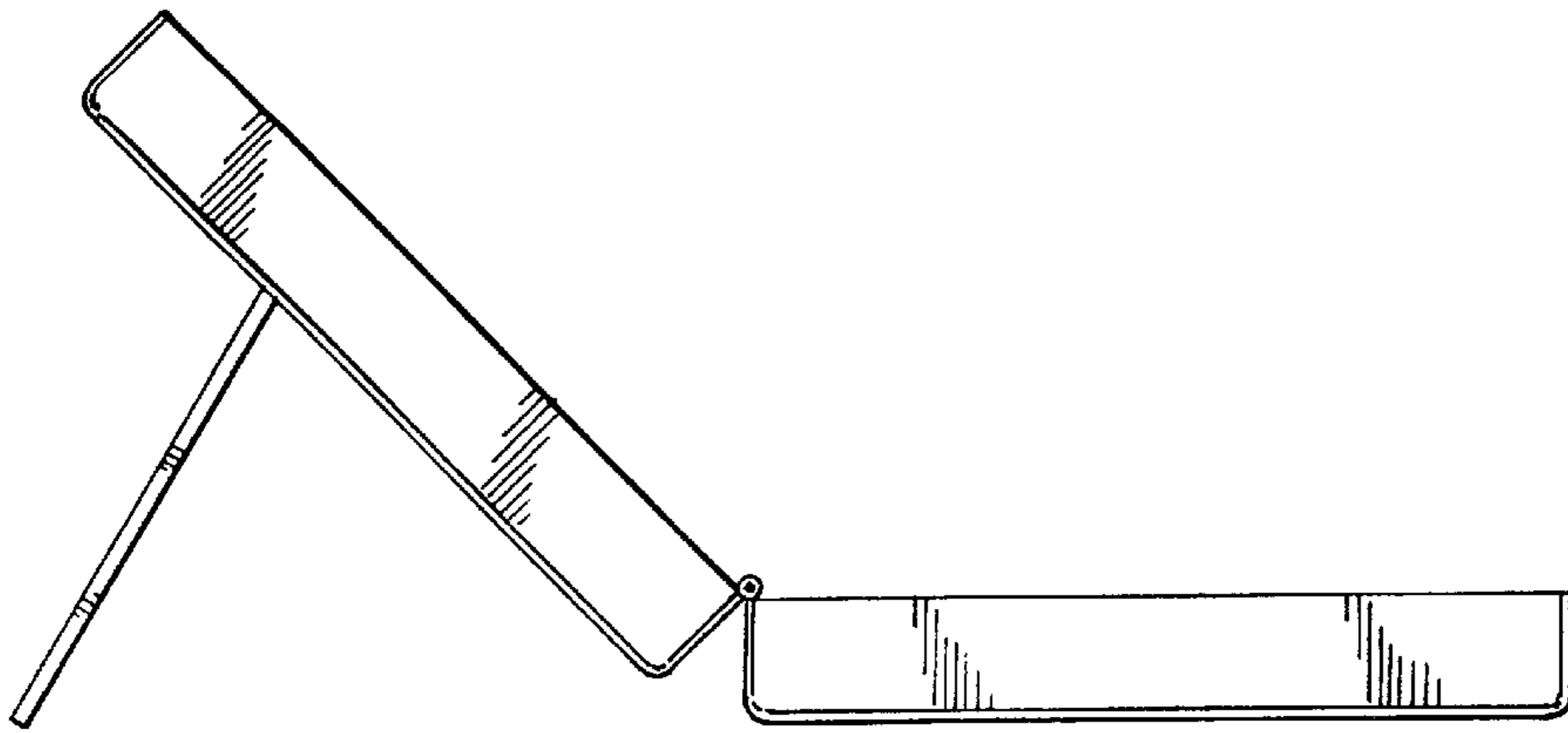


FIG. 7.

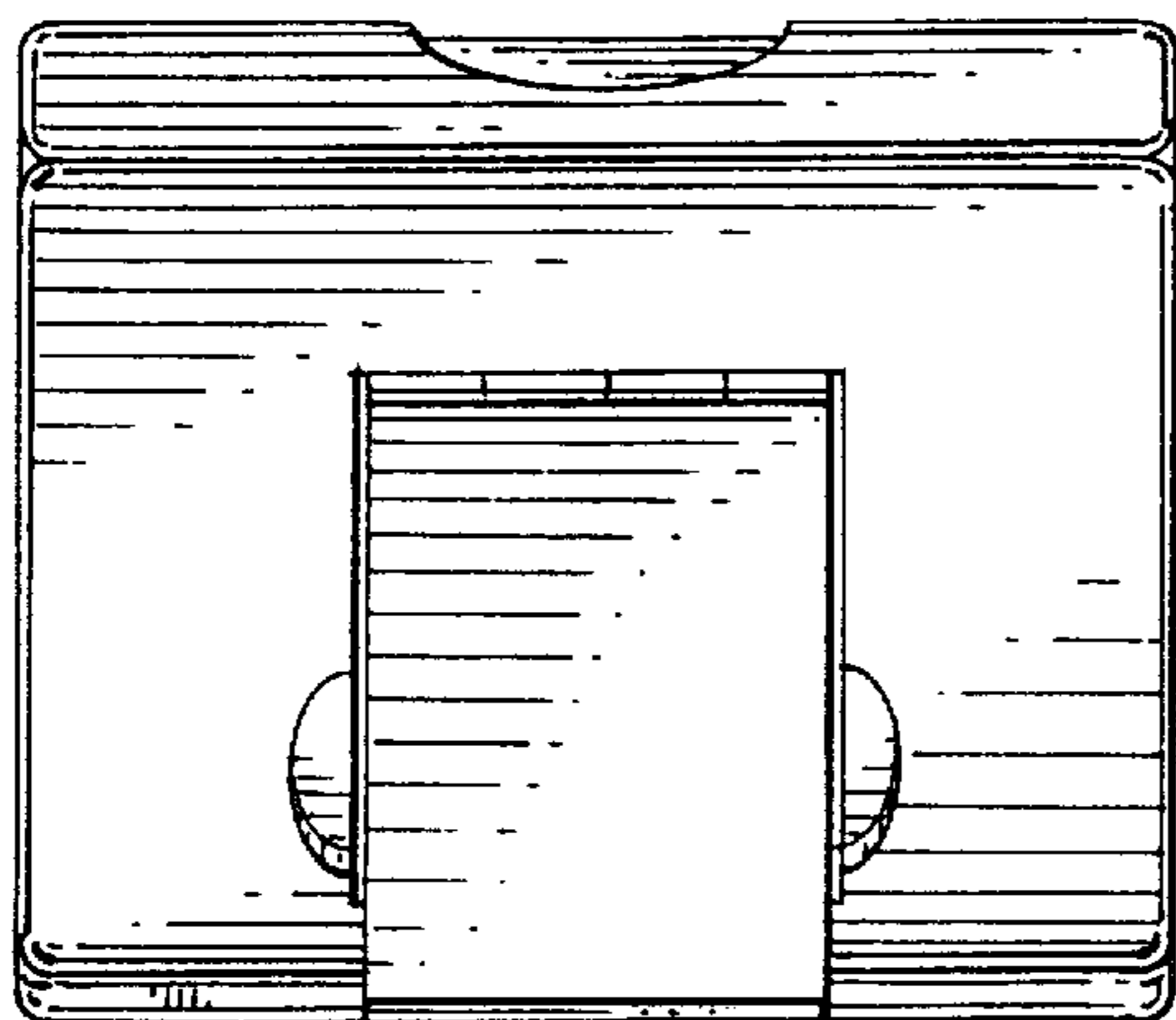


FIG. 8.

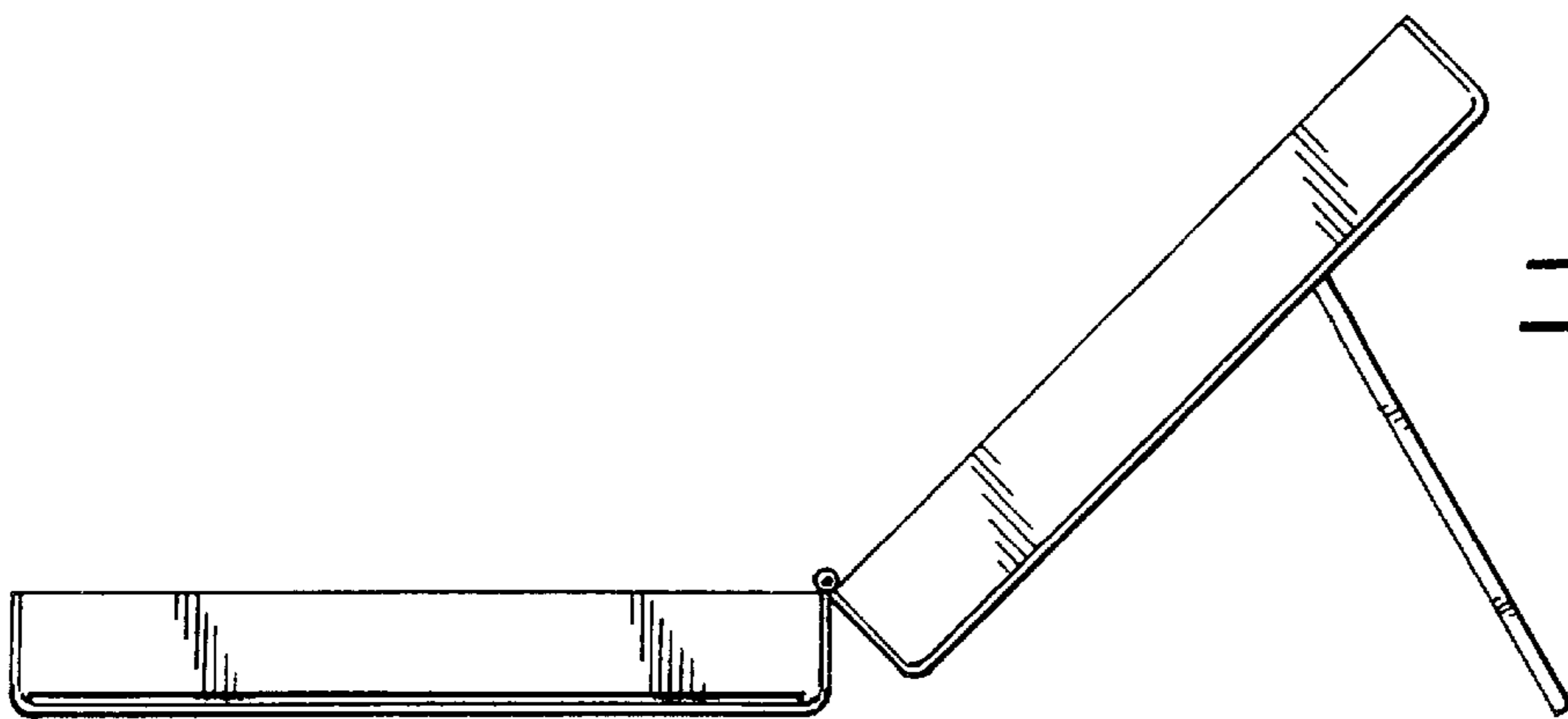


FIG. 9.

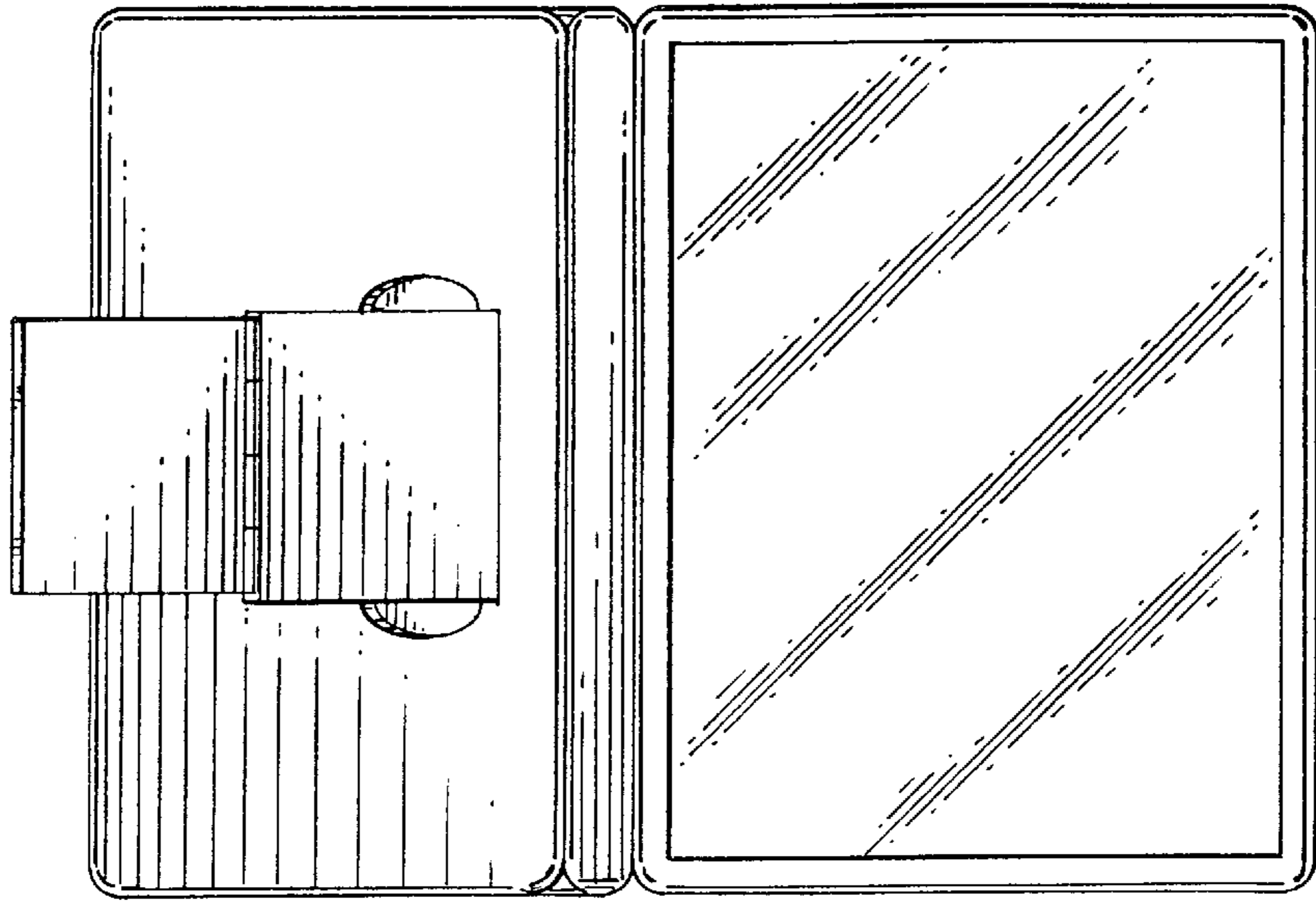


FIG. 12.

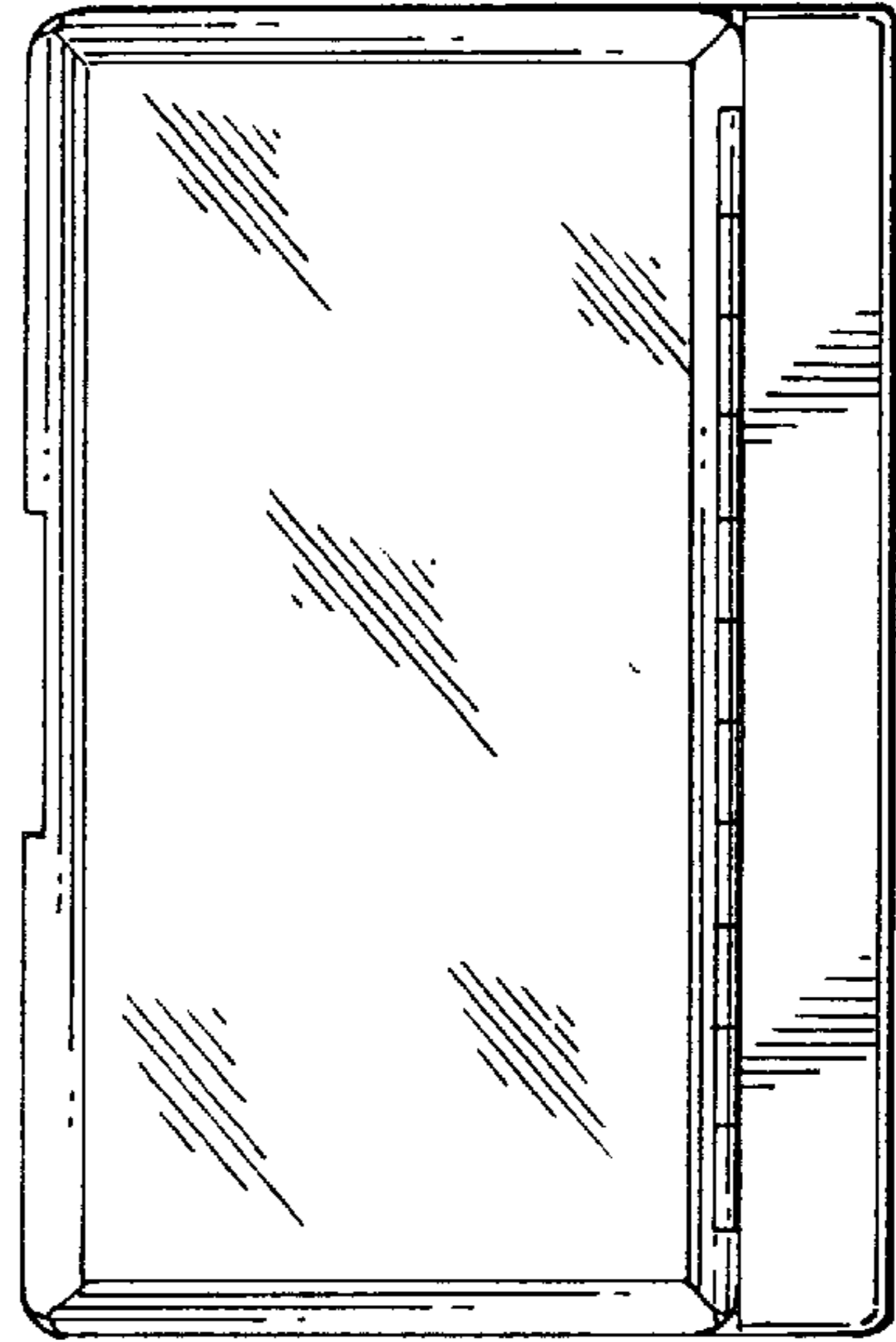


FIG. 11.

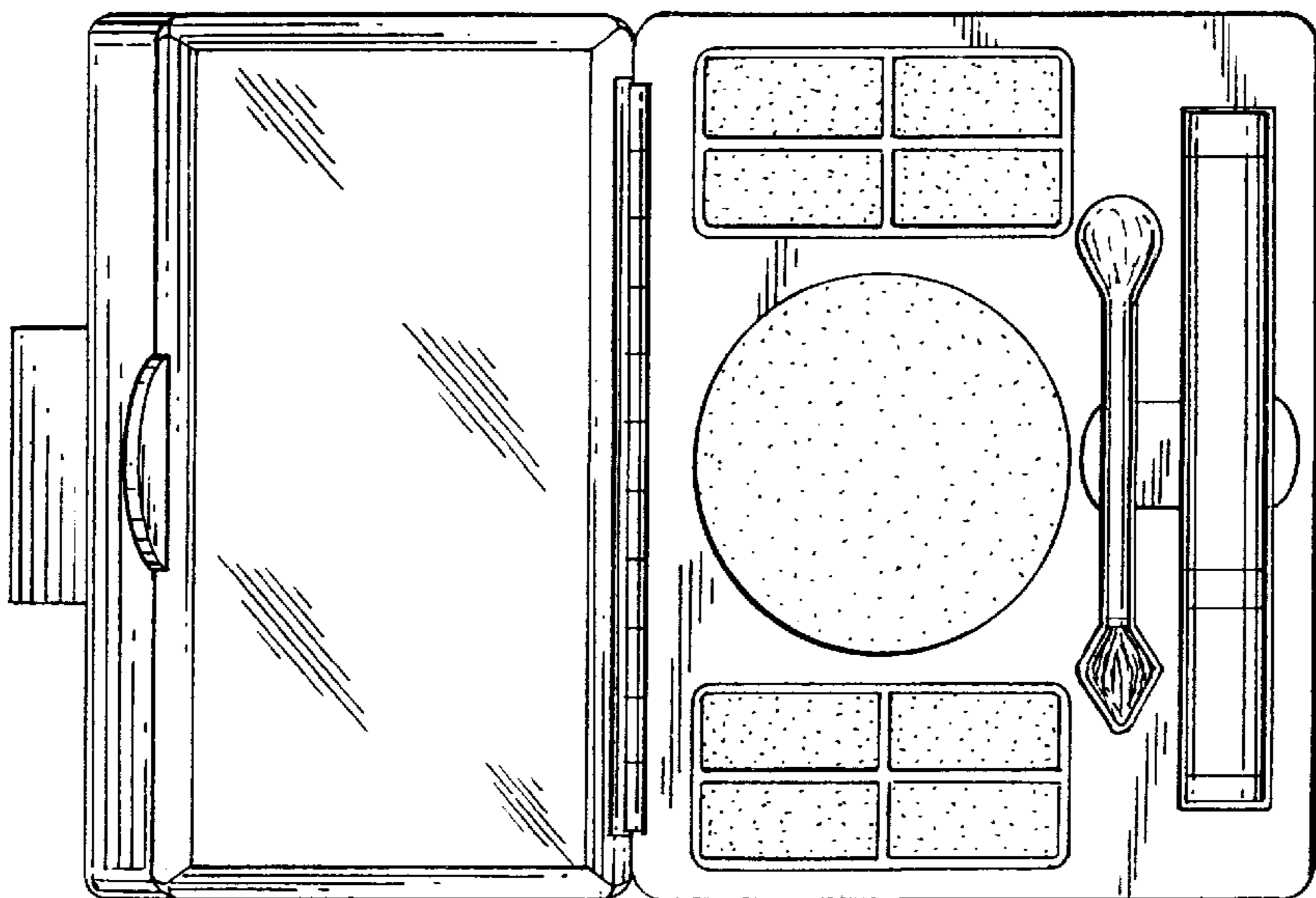


FIG. 10.