



US00D428206S

United States Patent [19]
Lillbacka

[11] **Patent Number: Des. 428,206**

[45] **Date of Patent: ** Jul. 11, 2000**

[54] **DENTAL FLOSSER**

[76] Inventor: **Antti Lillbacka**, Akerlundinkatu 2,
FIN-33100 Tampere, Finland

[**] Term: **14 Years**

[21] Appl. No.: **29/105,716**

[22] Filed: **May 28, 1999**

[51] **LOC (7) Cl.** **28-03**

[52] **U.S. Cl.** **D28/65; D28/68**

[58] **Field of Search** D28/65, 66, 68;
132/321, 322, 323, 324, 325, 326, 327

[56] **References Cited**

U.S. PATENT DOCUMENTS

D. 240,830	8/1976	Murphy	D28/65
D. 265,004	6/1982	Davis	D28/65
D. 380,869	7/1997	Bergman	D28/65
2,872,929	2/1959	Rice	D28/65
5,020,554	6/1991	Feinberg	132/323
5,052,420	10/1991	Chen	132/325
5,411,041	5/1995	Ritter	132/322

Primary Examiner—Paula A. Mortimer
Attorney, Agent, or Firm—Louis Woo

[57] **CLAIM**

The ornamental design for a dental flosser, as shown and described.

DESCRIPTION

FIG. 1 is a perspective view of a dental flosser with its cover on;
FIG. 2 is a perspective view of the FIG. 1 dental flosser with its cover off;
FIG. 3 is a side view of the dental flosser of FIG. 2;
FIG. 4 is the reverse side view of the dental flosser of FIG. 2;
FIG. 5 is a top view of the dental flosser of FIG. 2;
FIG. 6 is a bottom view of the dental flosser of the instant invention;
FIG. 7 is a front view of the dental flosser of the instant invention; and,
FIG. 8 is an end view of the dental flosser of the instant invention.

1 Claim, 2 Drawing Sheets

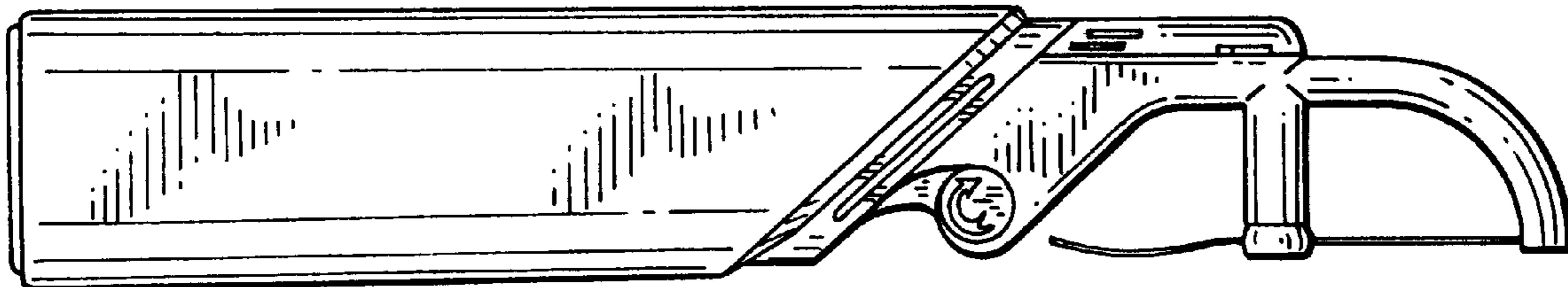


FIG. 1

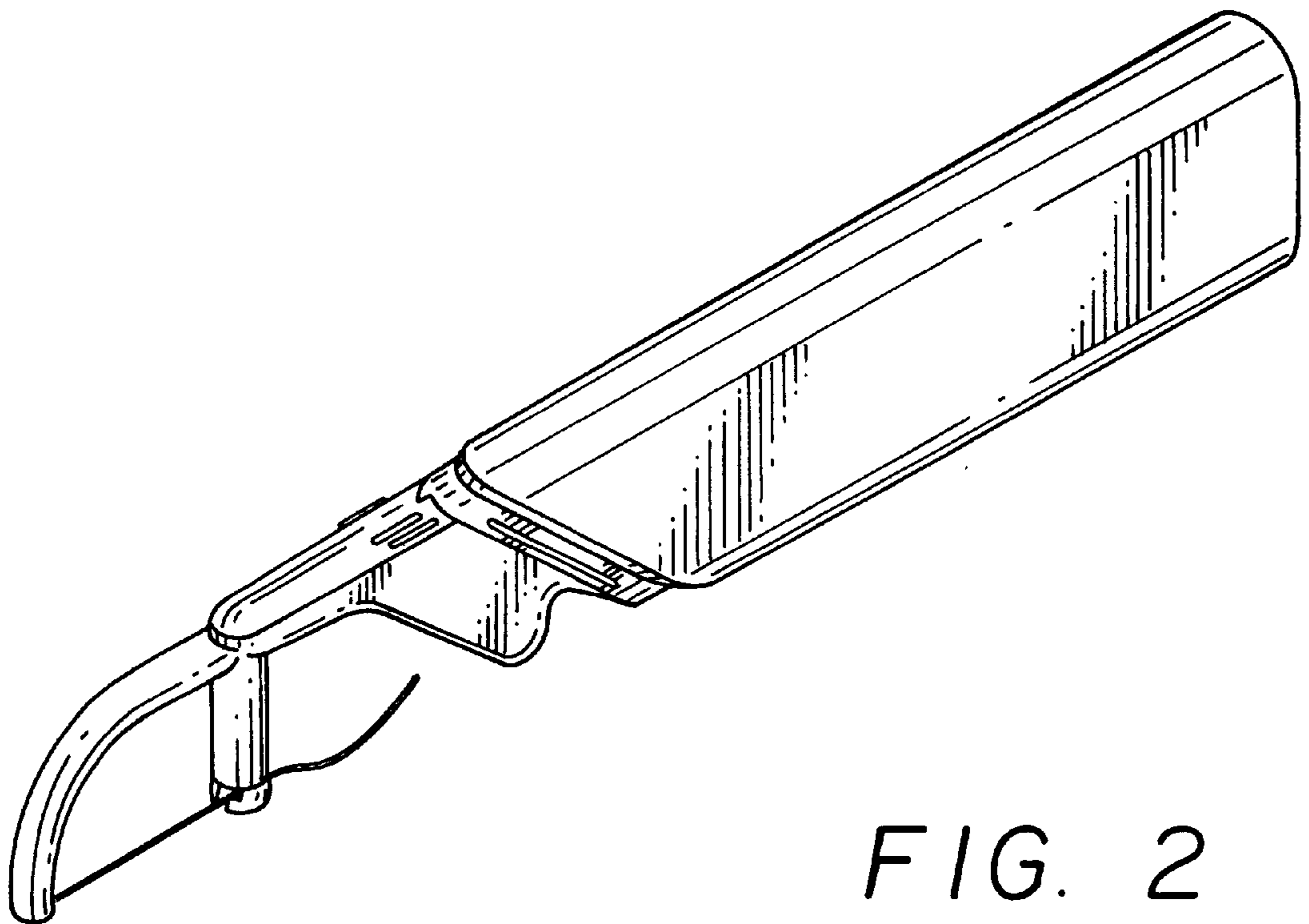
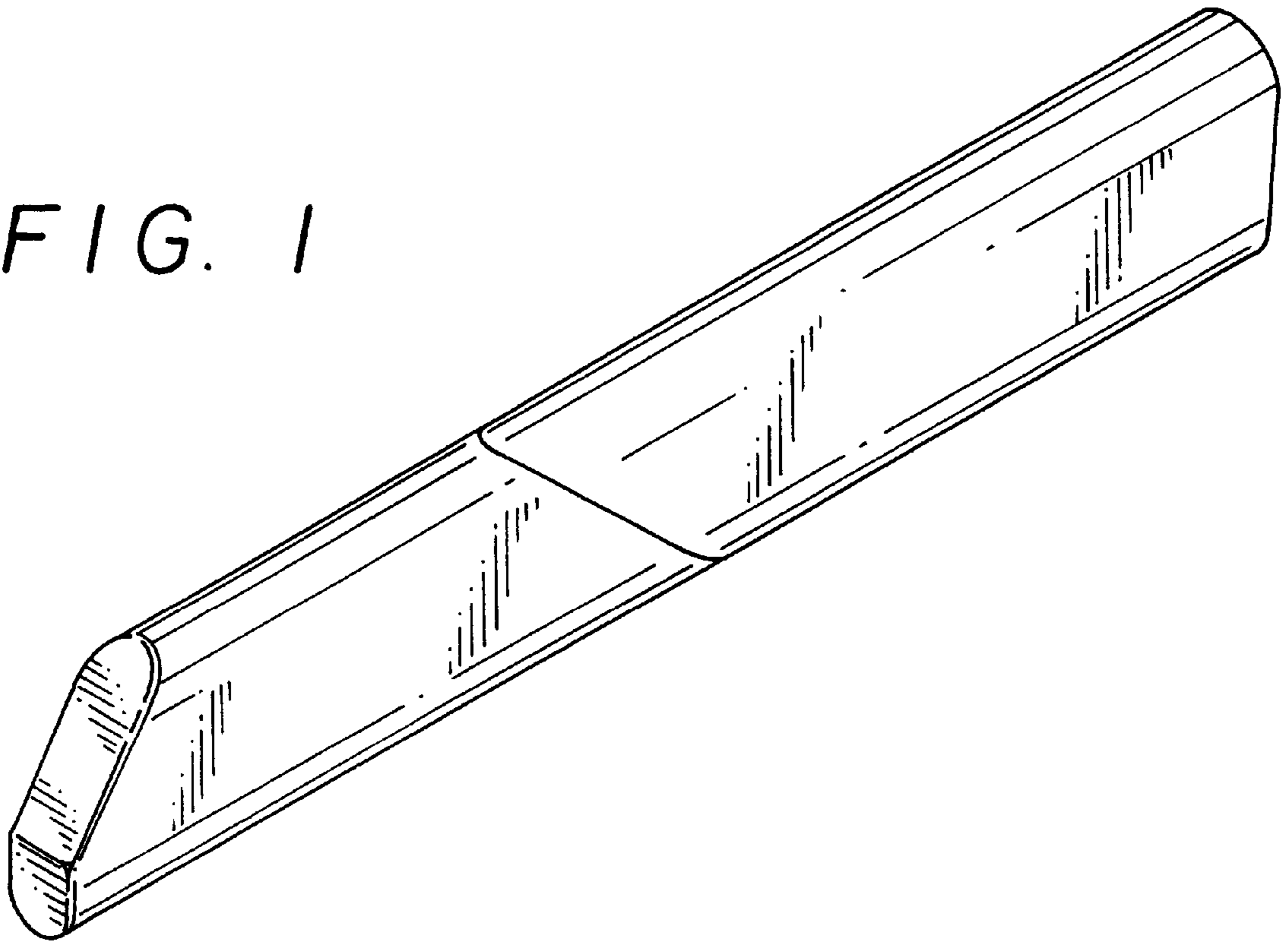


FIG. 2

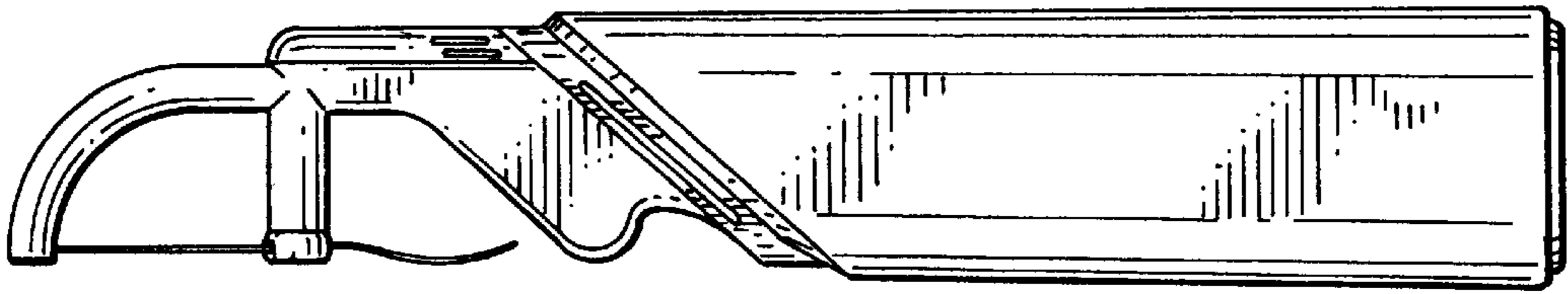


FIG. 3

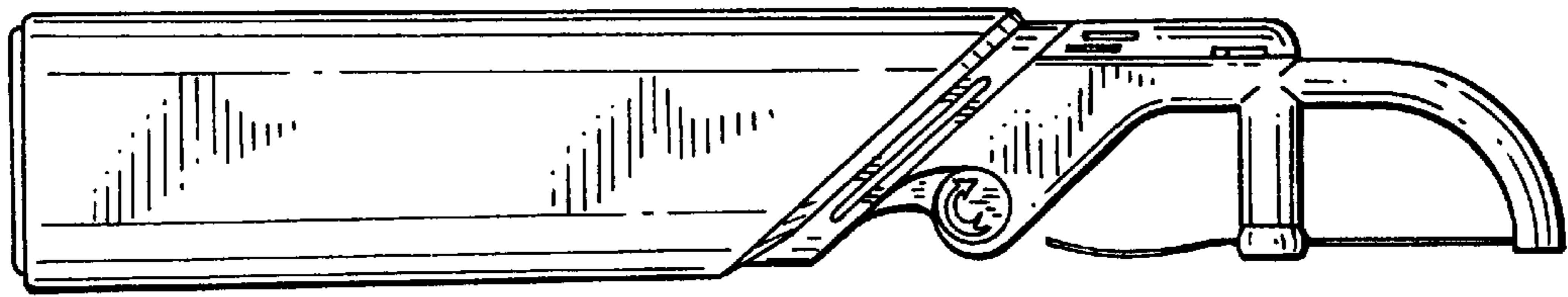


FIG. 4

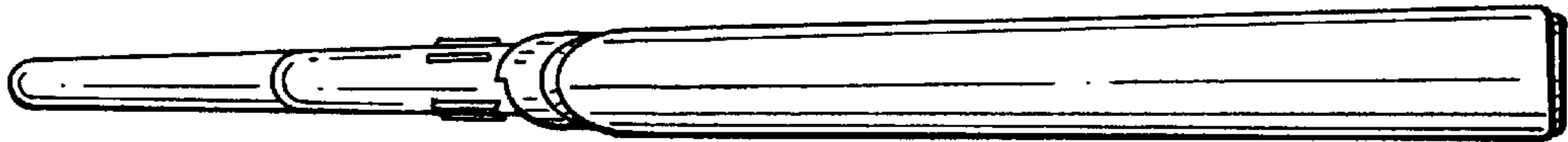


FIG. 5



FIG. 6

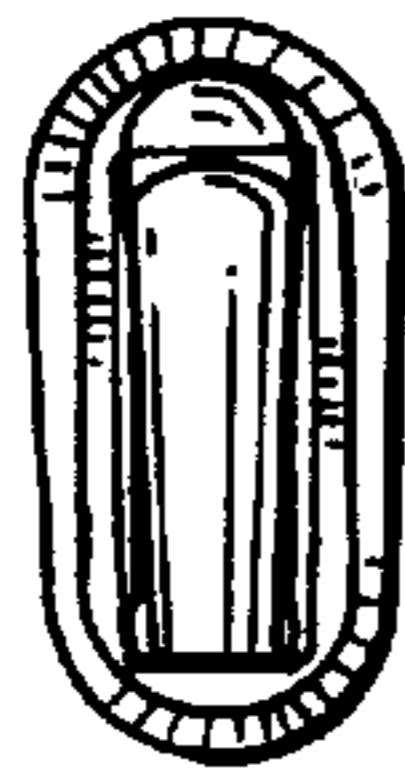


FIG. 7



FIG. 8