



US00D428204S

United States Patent [19] Elliott

[11] **Patent Number: Des. 428,204**

[45] **Date of Patent: ** Jul. 11, 2000**

[54] **HAND DRYER**

5,459,944 10/1995 Tatsutani et al. .

[75] Inventor: **Linda Emily Elliott**, Westmount,
Canada

FOREIGN PATENT DOCUMENTS

[73] Assignee: **Avmor Ltd.**, Montreal, Canada

0382521 8/1990 European Pat. Off. .

0505116 9/1992 European Pat. Off. .

0589568 10/1996 European Pat. Off. .

9105503 5/1991 WIPO .

[**] Term: **14 Years**

Primary Examiner—Terry A. Wallace

Attorney, Agent, or Firm—Darby & Darby

[21] Appl. No.: **29/106,002**

[22] Filed: **Jun. 4, 1999**

[57] CLAIM

[51] **LOC (7) Cl.** **28-03**

The ornamental design for hand-dryer, as shown and described.

[52] **U.S. Cl.** **D28/54.1**

[58] **Field of Search** D28/54.1; 34/97,
34/201, 202, 241; 219/490, 492, 512; 392/360,
363, 367, 370, 381

DESCRIPTION

[56] References Cited

U.S. PATENT DOCUMENTS

- 3,305,938 2/1967 Goldstein .
- 3,643,346 2/1972 Lester .
- 3,744,146 7/1973 Nichols .
- 4,707,933 11/1987 Keck et al. .
- 5,031,337 7/1991 Pillolla et al. .
- 5,146,695 9/1992 Yang .

FIG. 1 is a top perspective view of a hand-dryer, showing our new design;

FIG. 2 is a front elevational view thereof;

FIG. 3 is a top elevational view thereof;

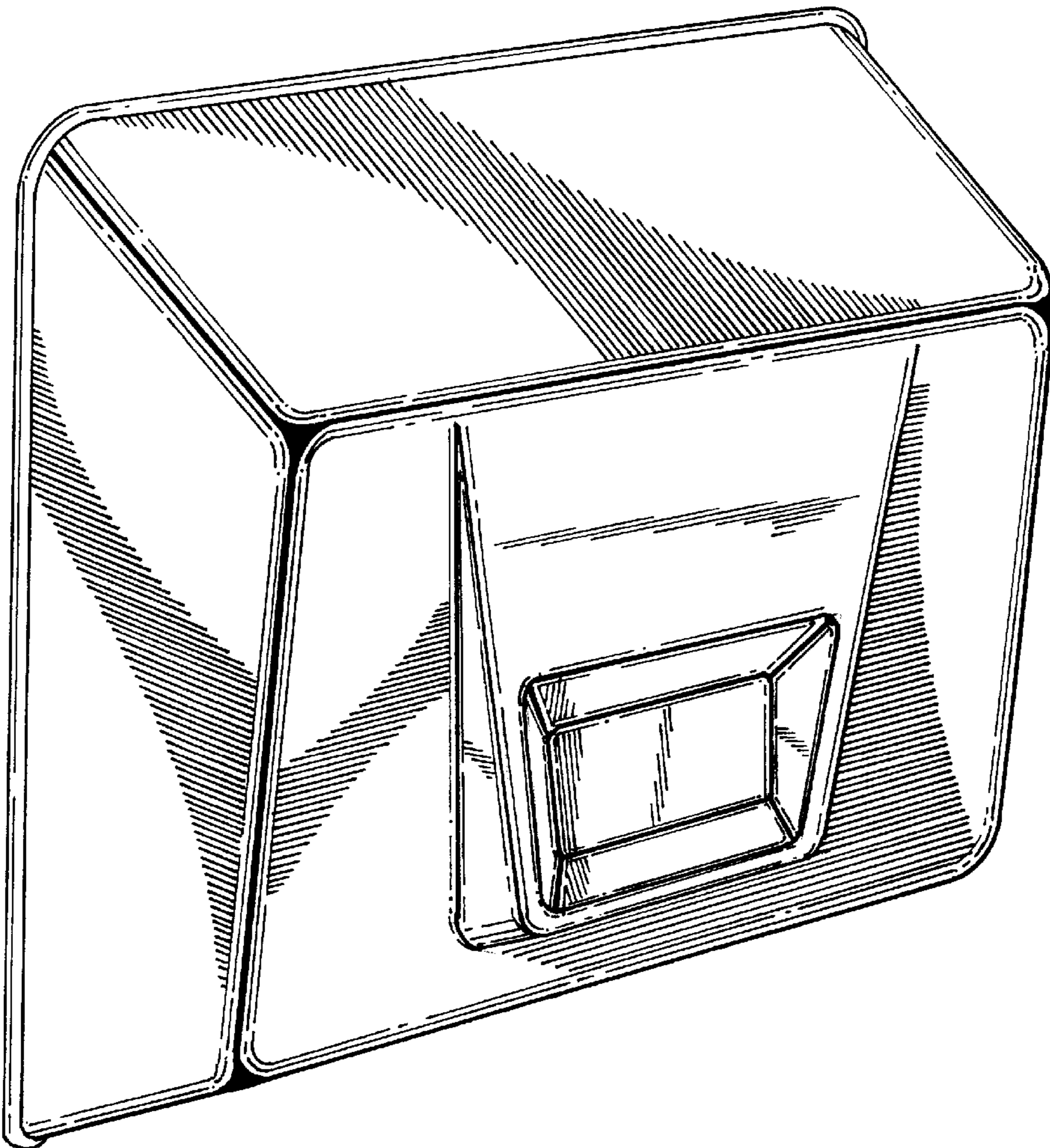
FIG. 4 is a bottom plan view thereof;

FIG. 5 is a right hand side elevational view thereof;

FIG. 6 is a left hand side elevational view thereof; and,

FIG. 7 is a bottom perspective view thereof.

1 Claim, 6 Drawing Sheets



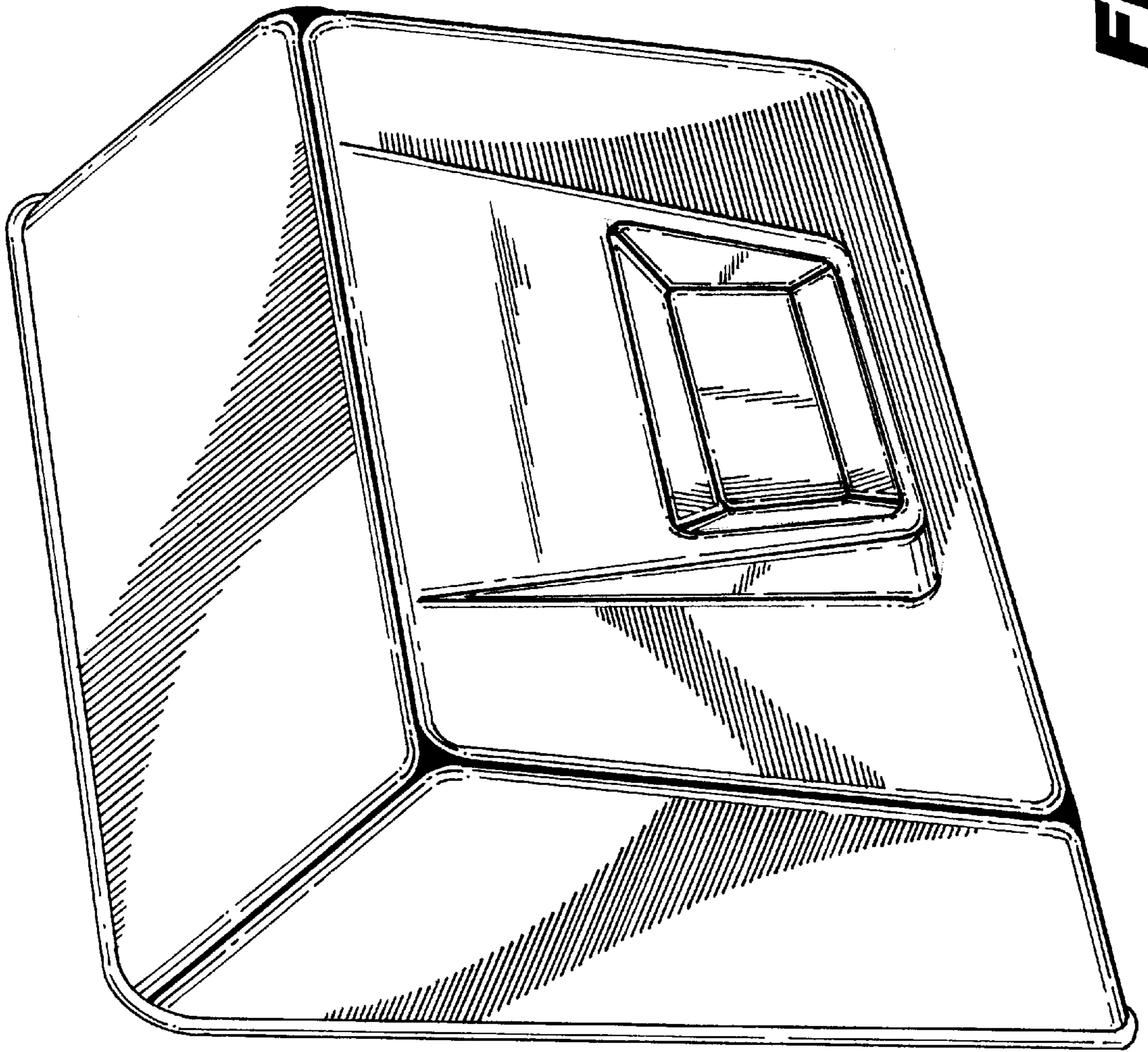


Fig. 1

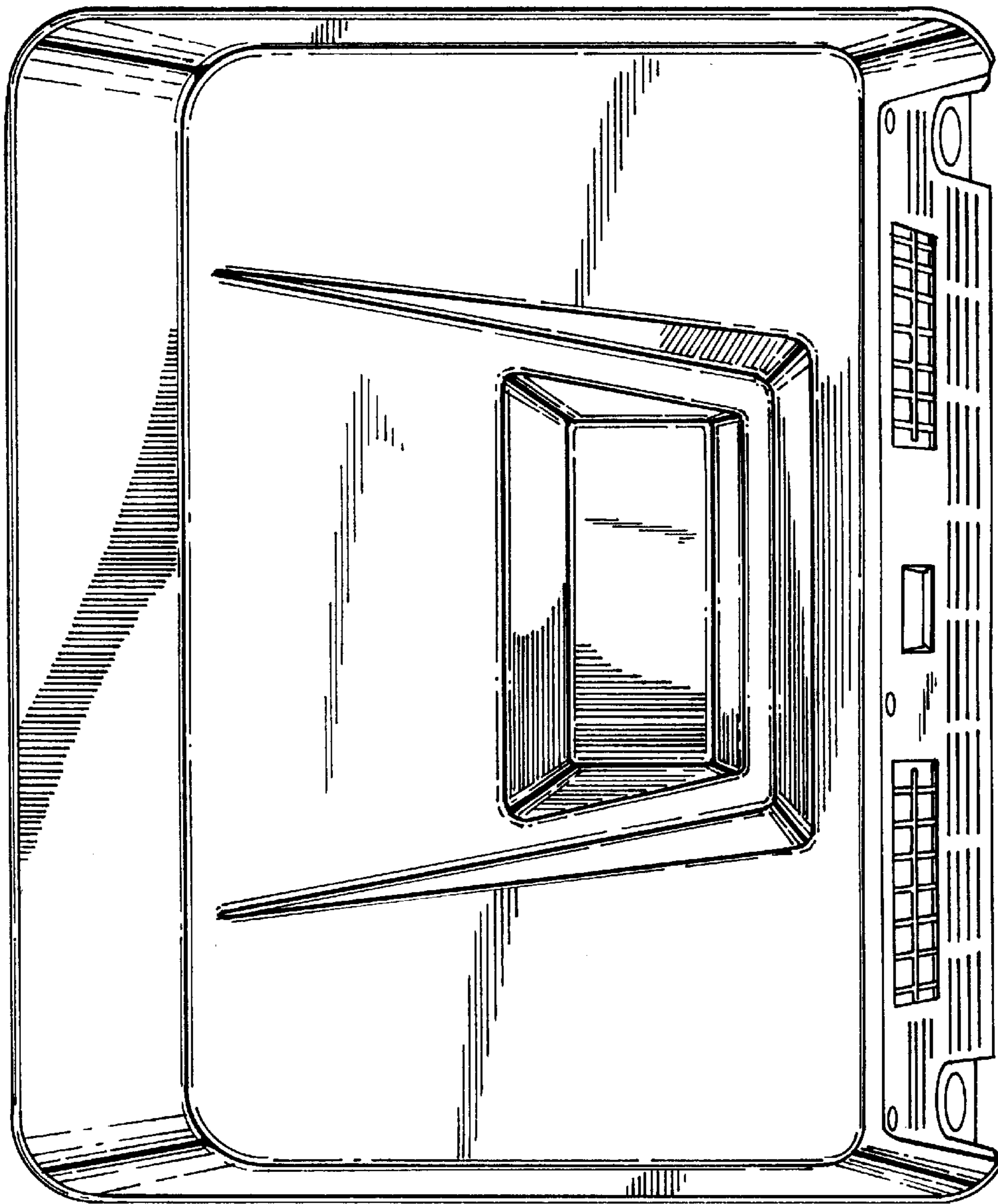


Fig. 2

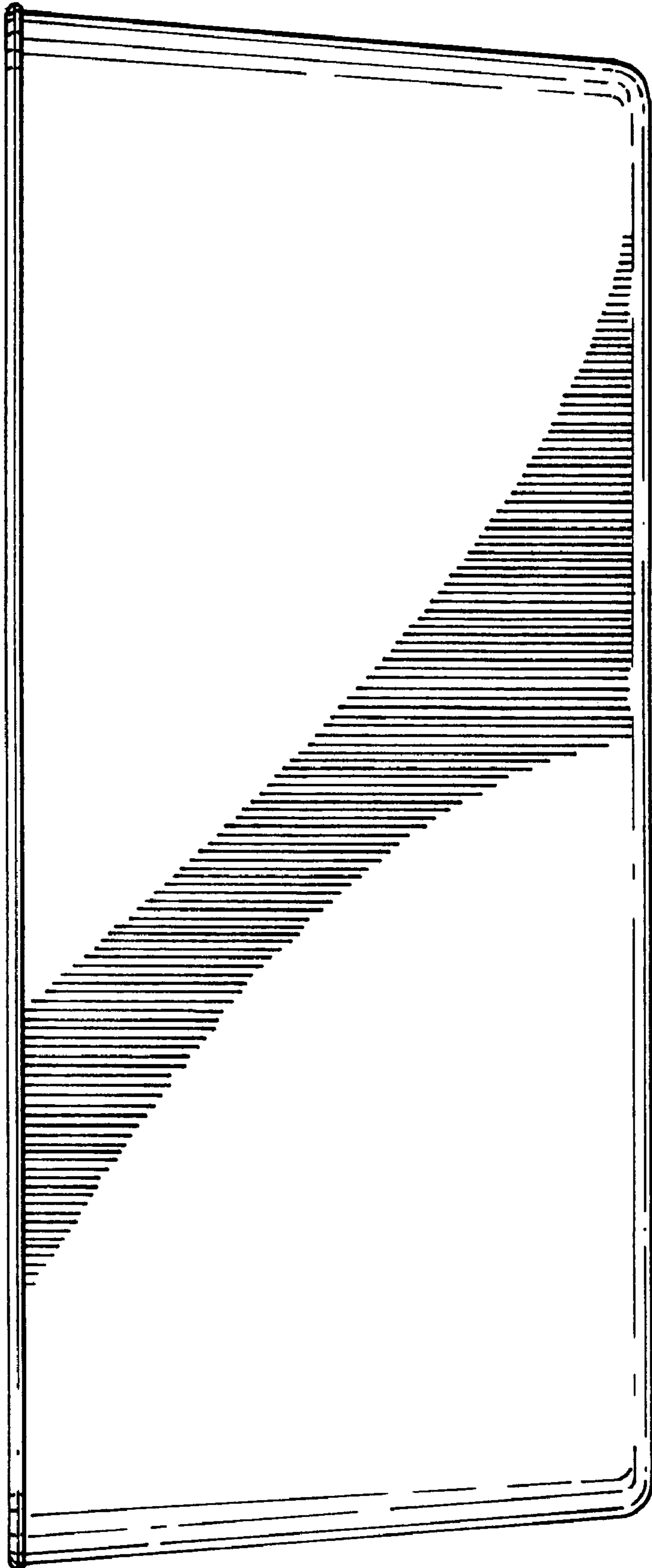


Fig. 3

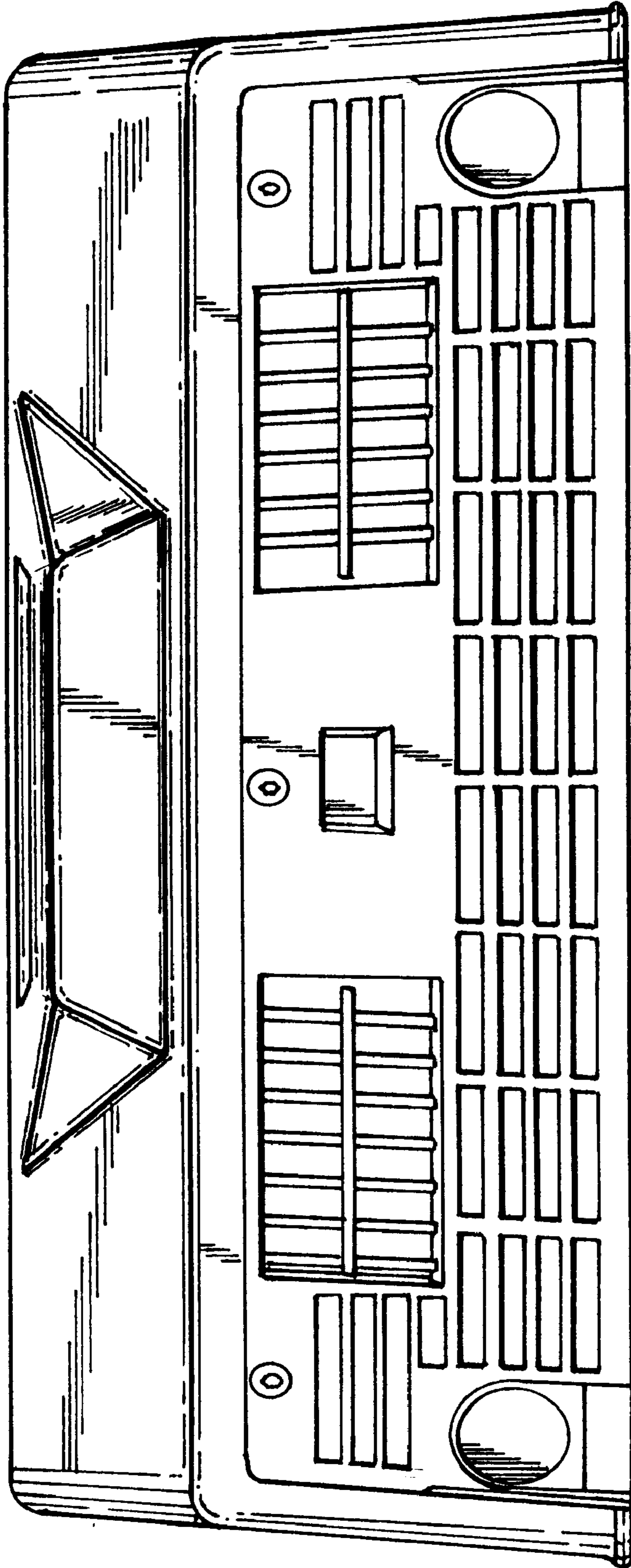


Fig. 4

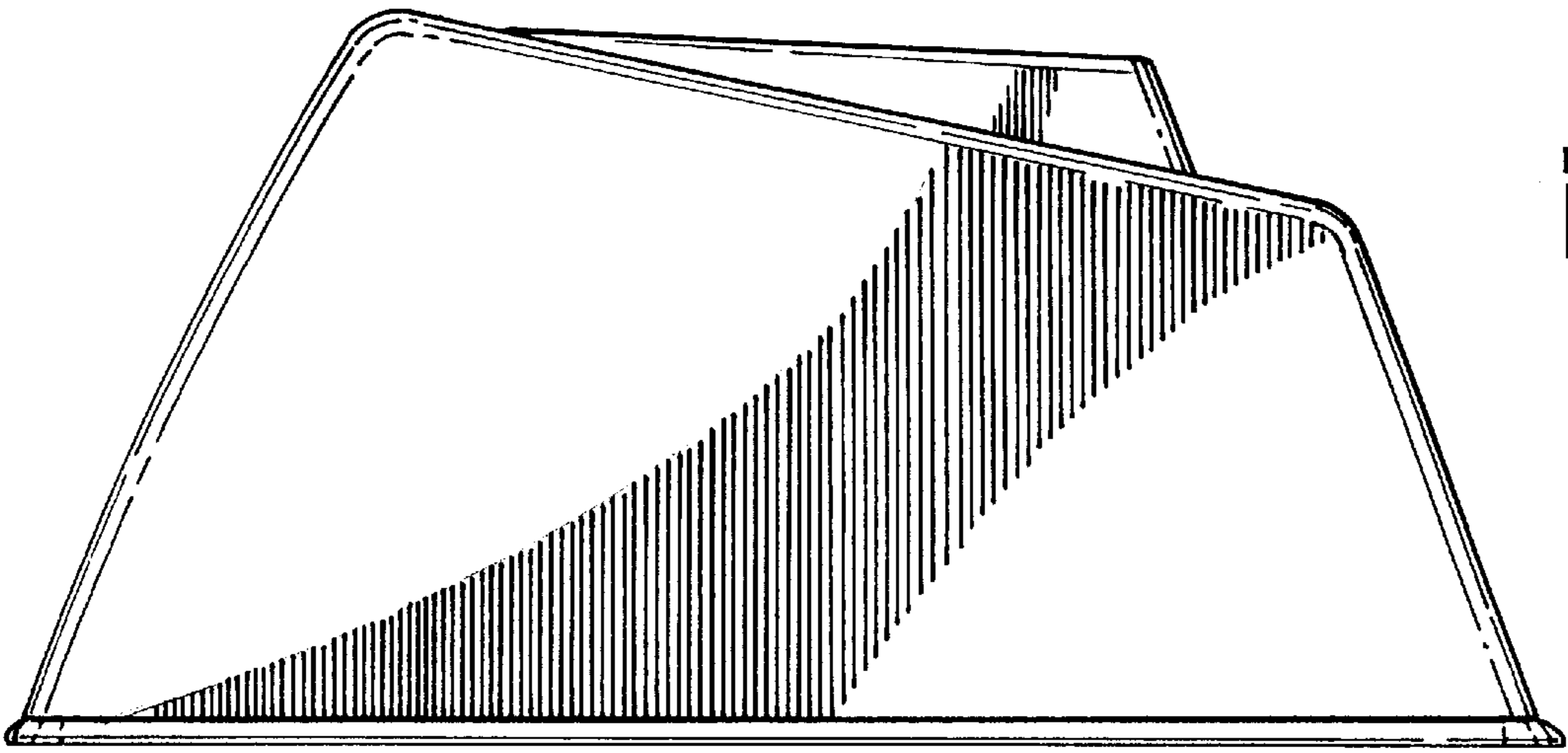


Fig. 6

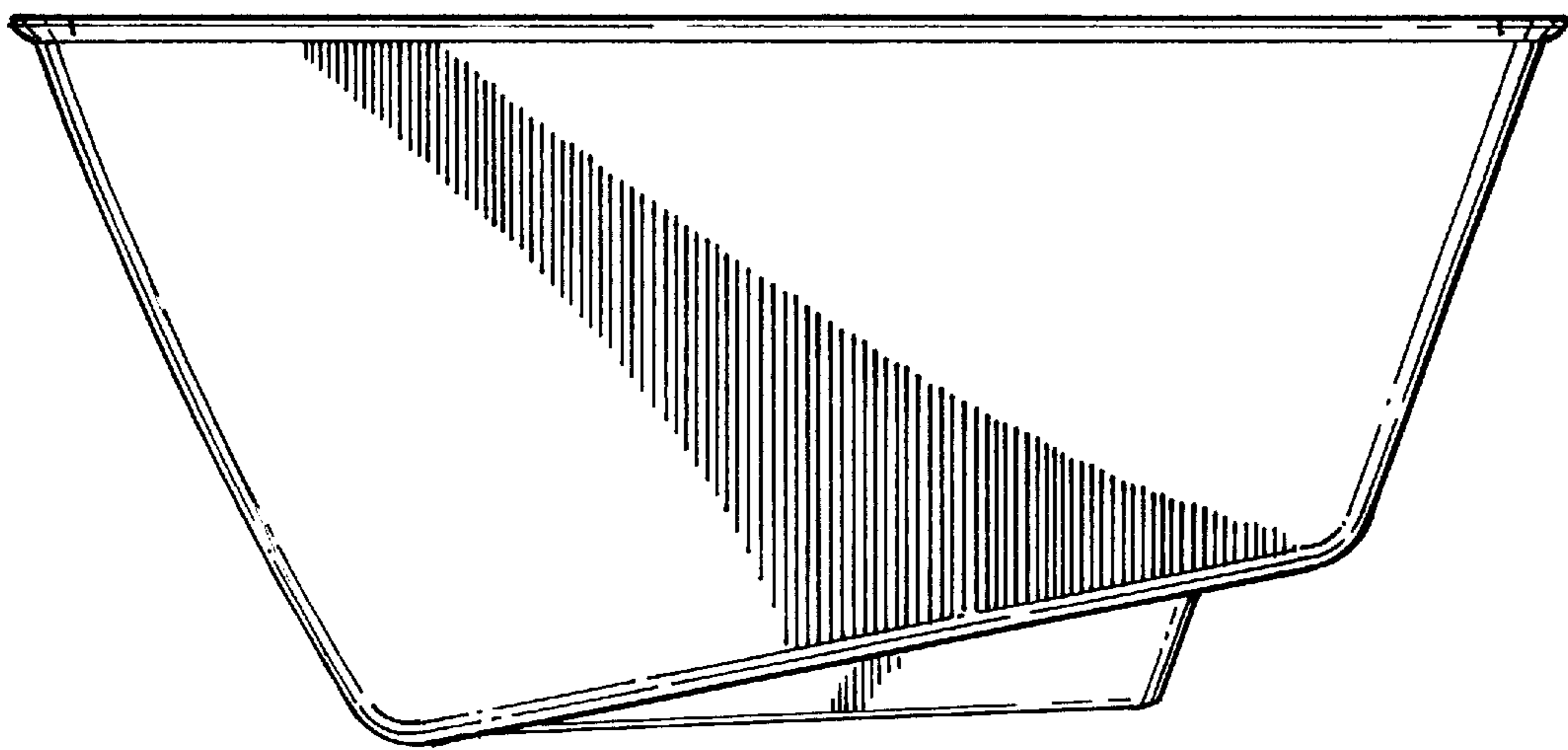


Fig. 5

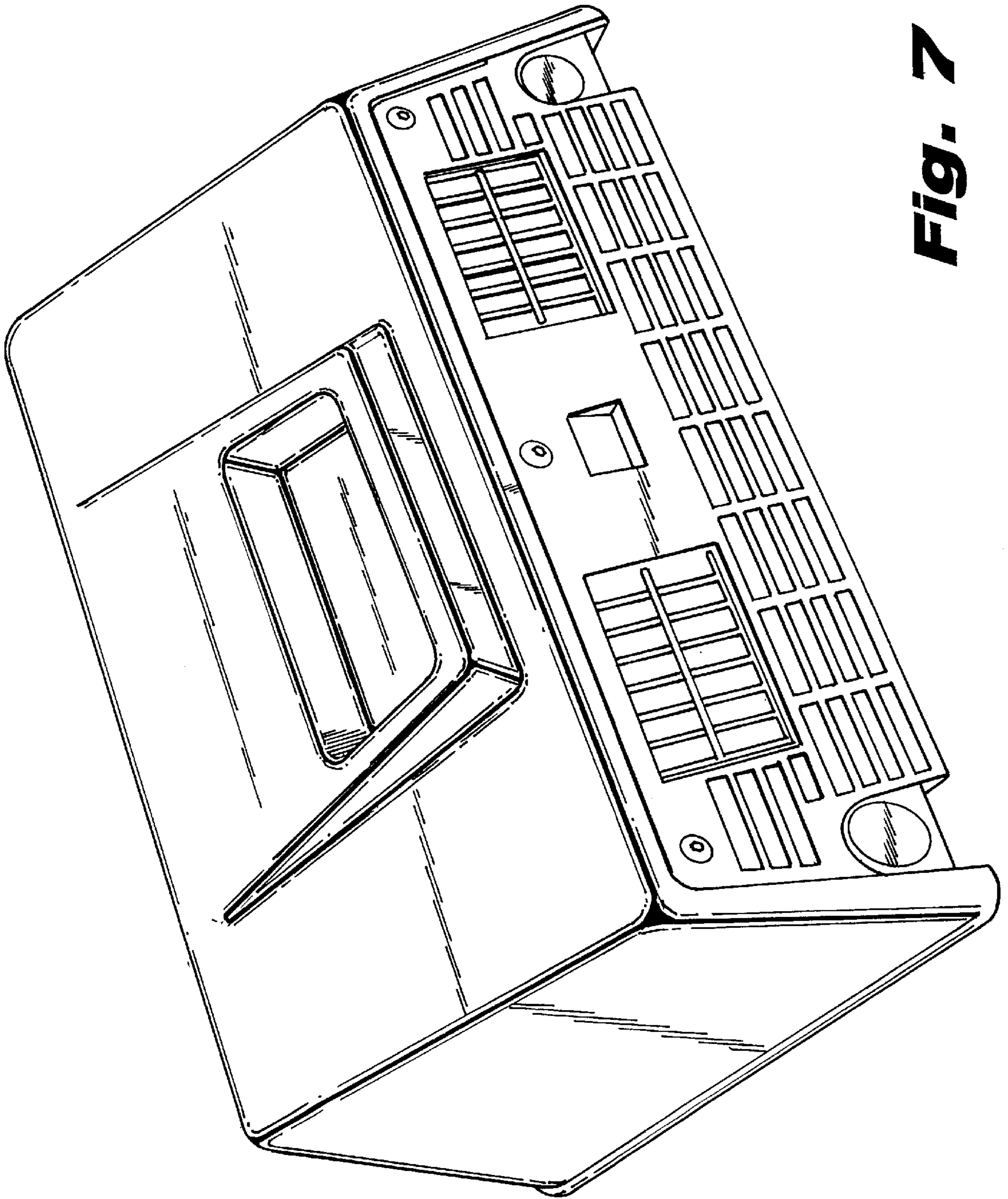


Fig. 7