



US00D428198S

United States Patent [19] Beaujean

[11] Patent Number: **Des. 428,198**

[45] Date of Patent: **** Jul. 11, 2000**

[54] **DETERGENT TABLET**

[75] Inventor: **Hans-Josef Beaujean**, Dormagen, Germany

[73] Assignee: **Henkel Kommanditgesellschaft auf Aktien**, Duesseldorf, Germany

[**] Term: **14 Years**

[21] Appl. No.: **29/097,249**

[22] Filed: **Dec. 2, 1998**

[30] **Foreign Application Priority Data**

Jun. 2, 1998 [XH] Hague Agreement DM/044 197

[51] **LOC (7) Cl.** **28-02**

[52] **U.S. Cl.** **D28/8.1**

[58] **Field of Search** D28/8.1; D23/207, D23/208; D24/100, 101; D32/35; 510/133, 137-149, 191, 194, 224, 225, 294, 298, 440, 441, 445-449

[56] **References Cited**

U.S. PATENT DOCUMENTS

- D. 283,649 4/1986 Casberg D23/207
- D. 335,704 5/1993 Casberg D24/101
- D. 407,463 3/1999 Outlaw et al. D23/207
- 683,181 9/1901 Mereness 510/440

- 1,601,775 10/1926 Scherieble 264/245
- 3,557,003 1/1971 Morris et al. 510/298
- 4,217,331 8/1980 Schaub 422/265
- 4,350,666 9/1982 Klutts 422/263
- 4,996,000 2/1991 Redeker 510/146 X
- 5,972,870 10/1999 Anderson 510/298

FOREIGN PATENT DOCUMENTS

- 977194 3/1951 France 40/635
- 3265698 3/1951 Japan 252/FOR 115

Primary Examiner—Ted Shooman
Assistant Examiner—C Tuttle
Attorney, Agent, or Firm—Wayne C. Jaeschke; Kenneth Watov; Glenn E. J. Murphy

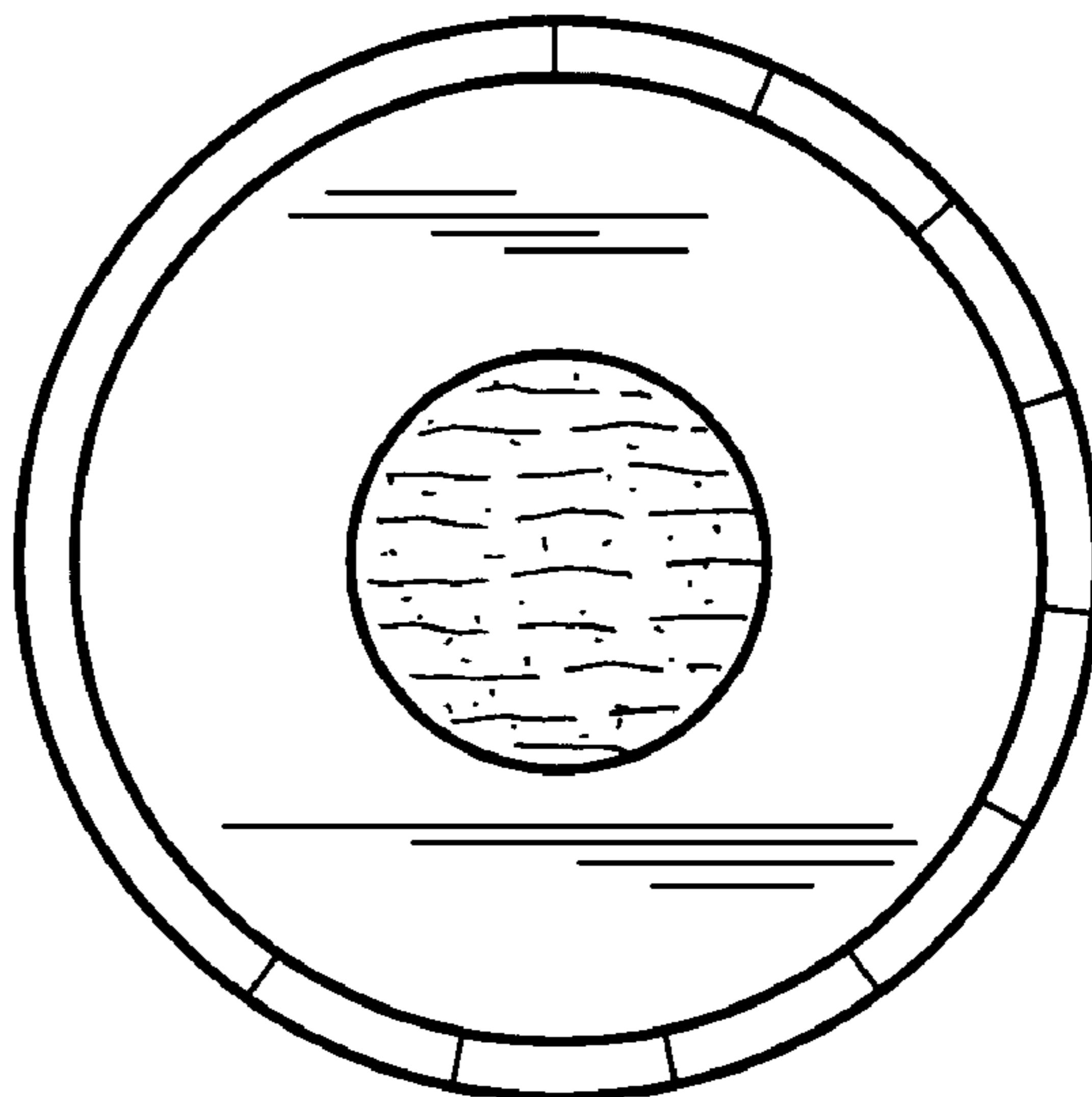
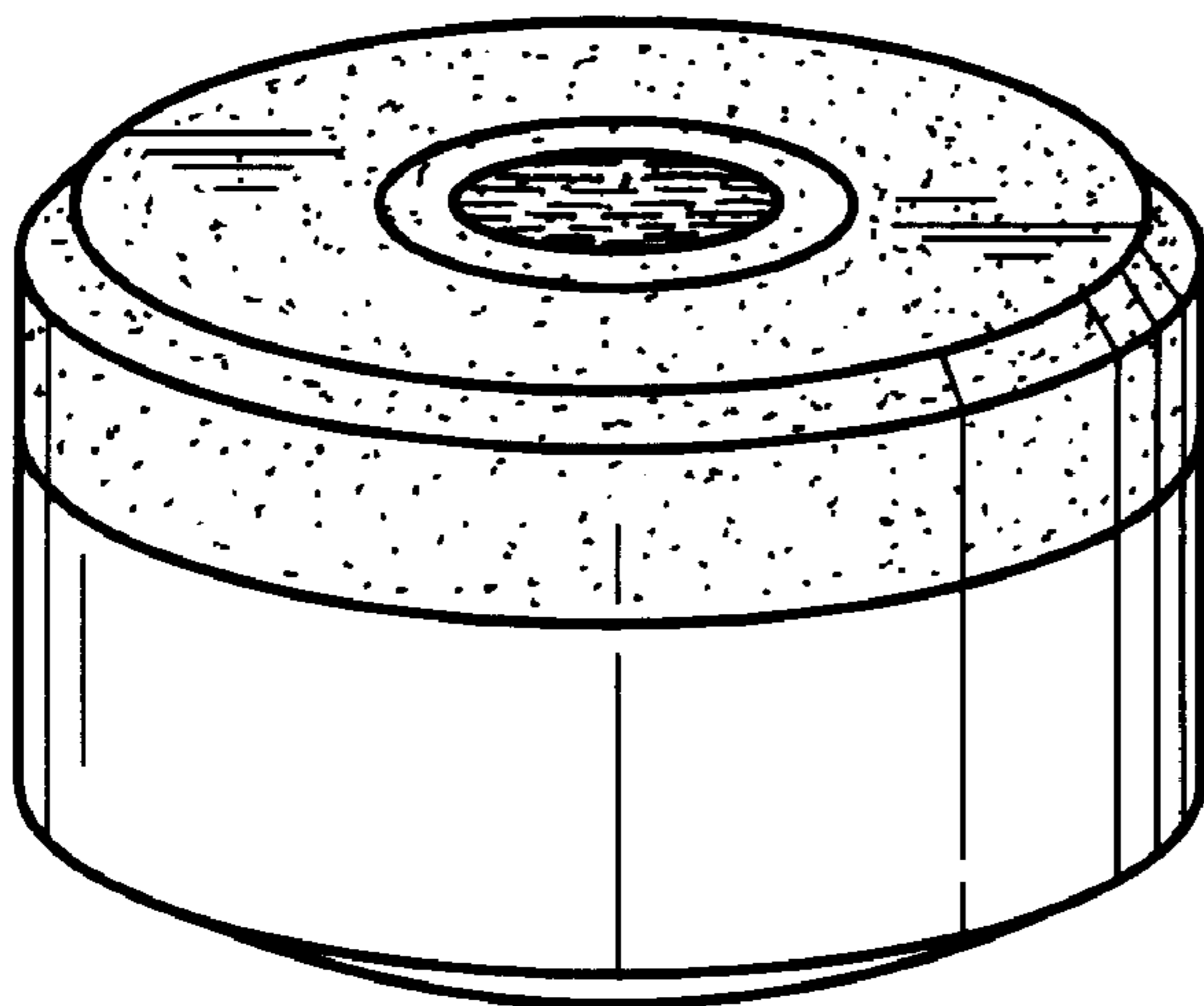
[57] **CLAIM**

The ornamental design for a detergent tablet, as shown and described.

DESCRIPTION

FIG. 1 is a perspective view of the detergent tablet showing my new design;
FIG. 2 is a front elevational view thereof, the back, right side, and left side elevational views, respectively, being identical thereto;
FIG. 3 is a top plan view thereof; and,
FIG. 4 is bottom plan view thereof.

1 Claim, 1 Drawing Sheet



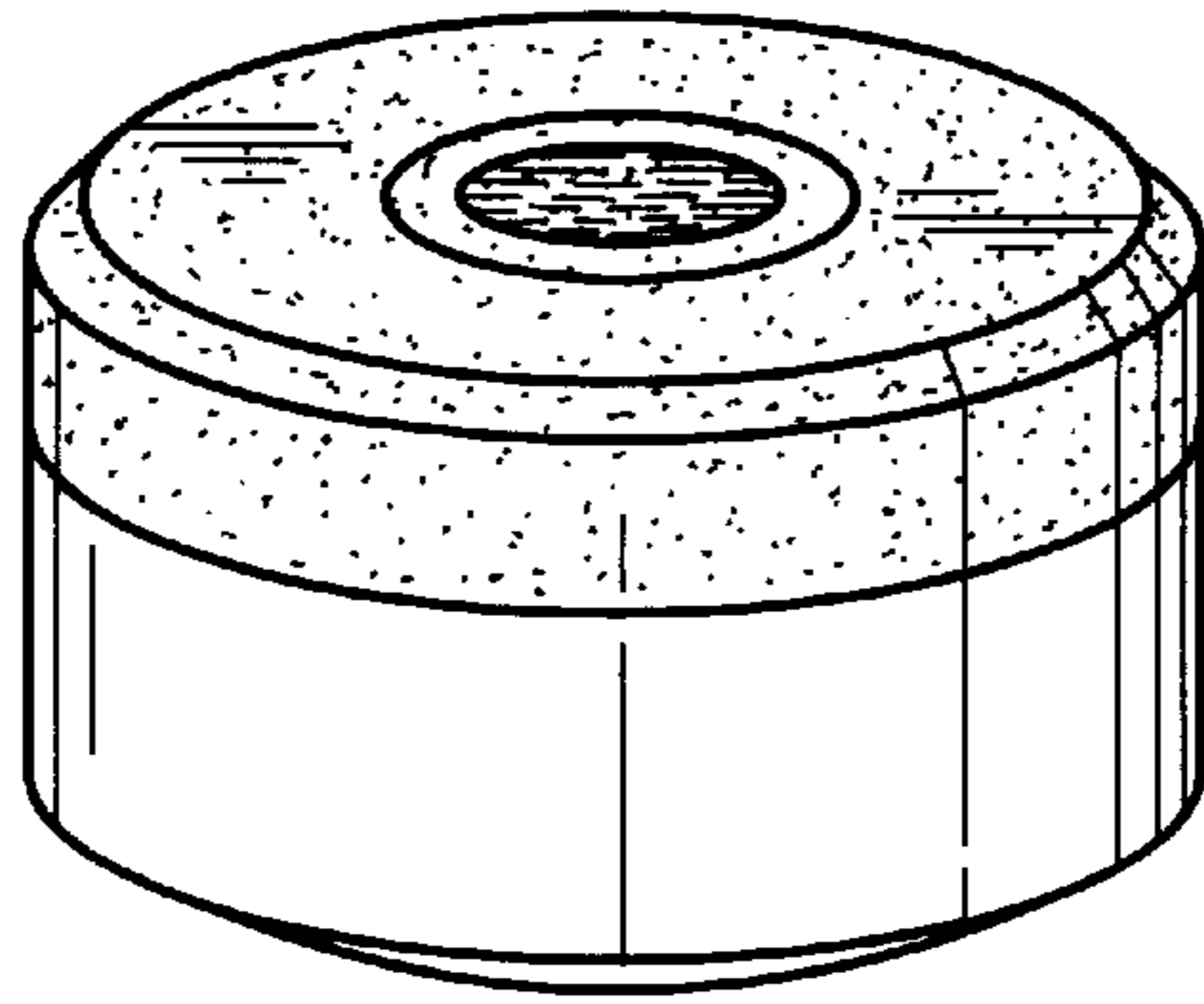


FIG. 1

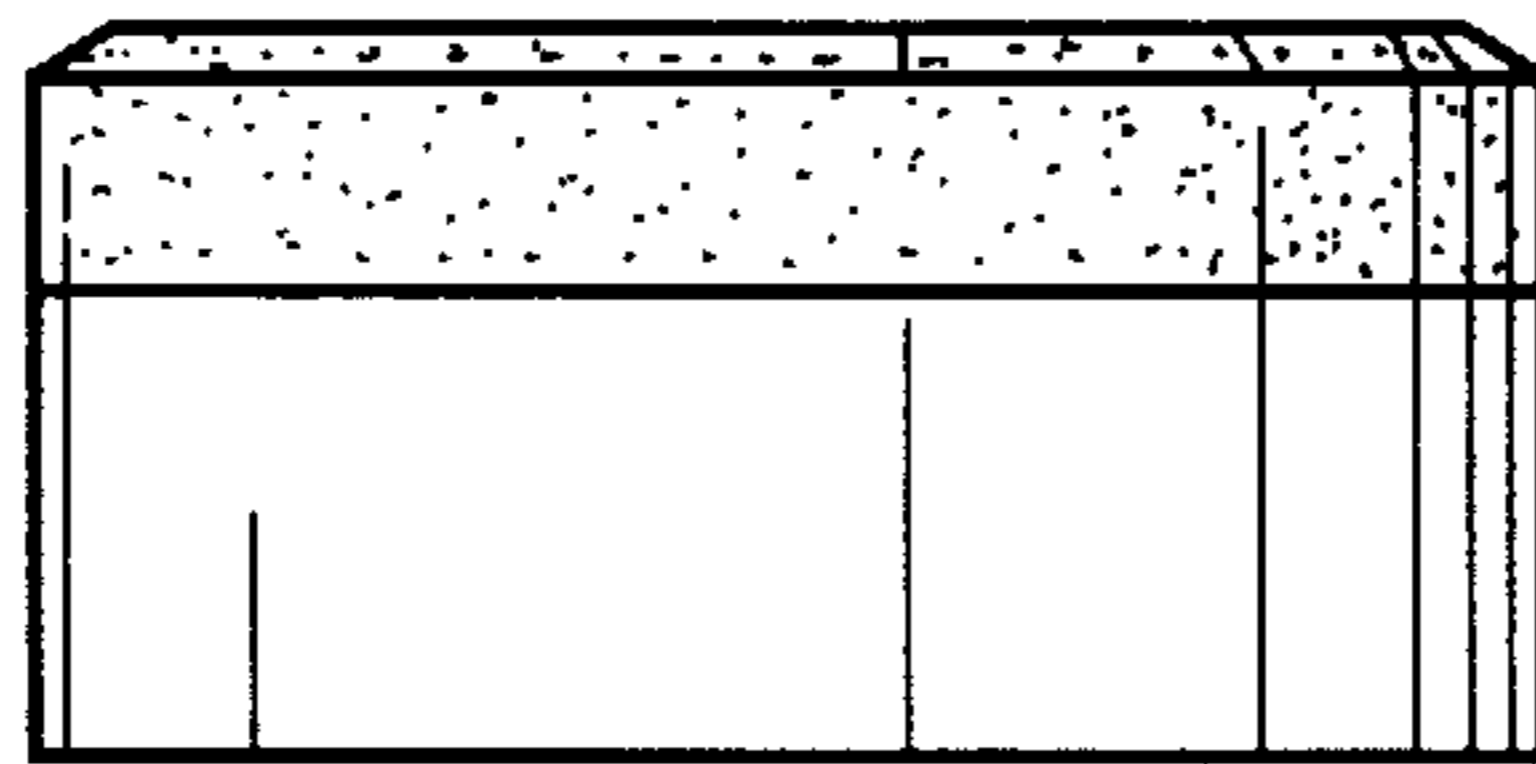


FIG. 2

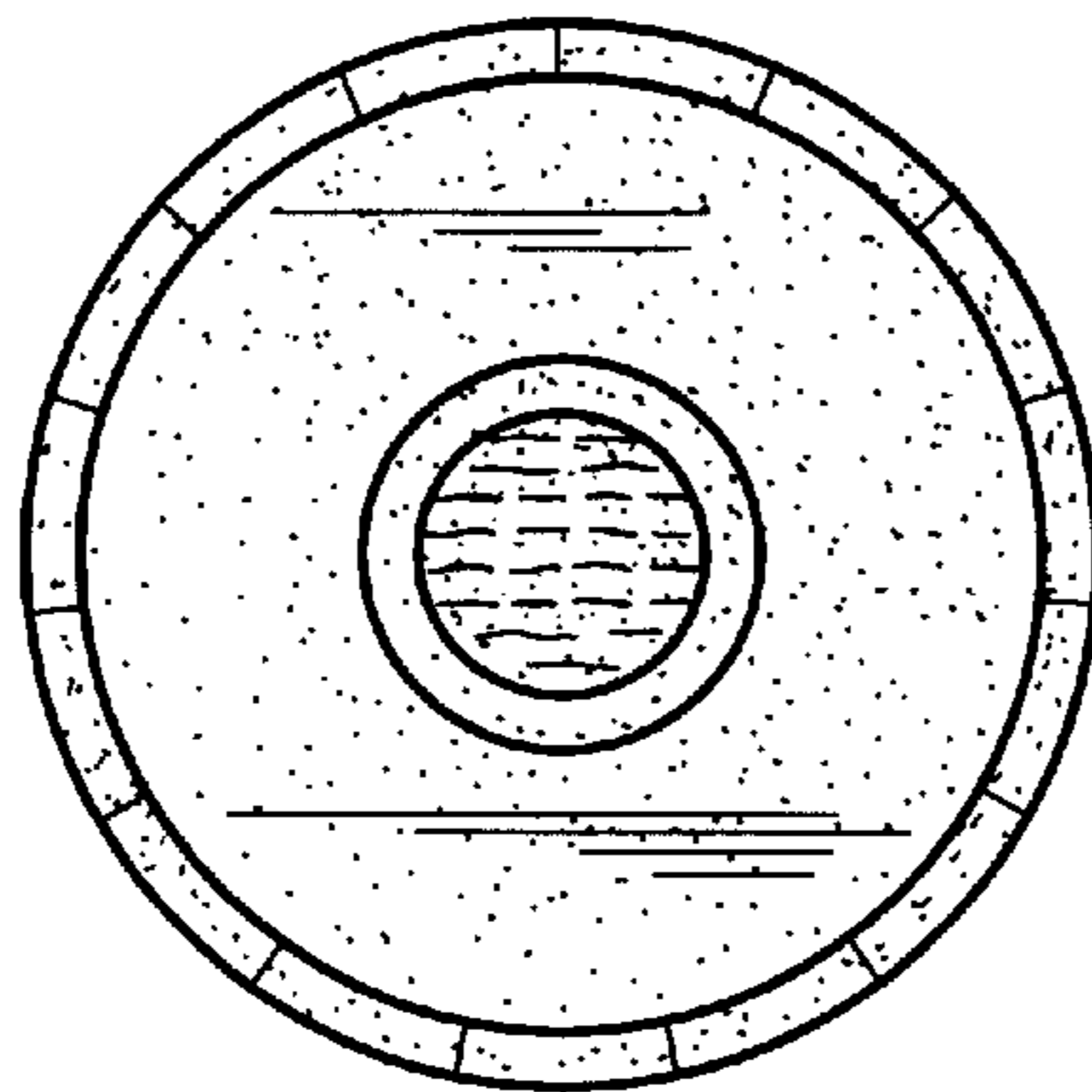


FIG. 3

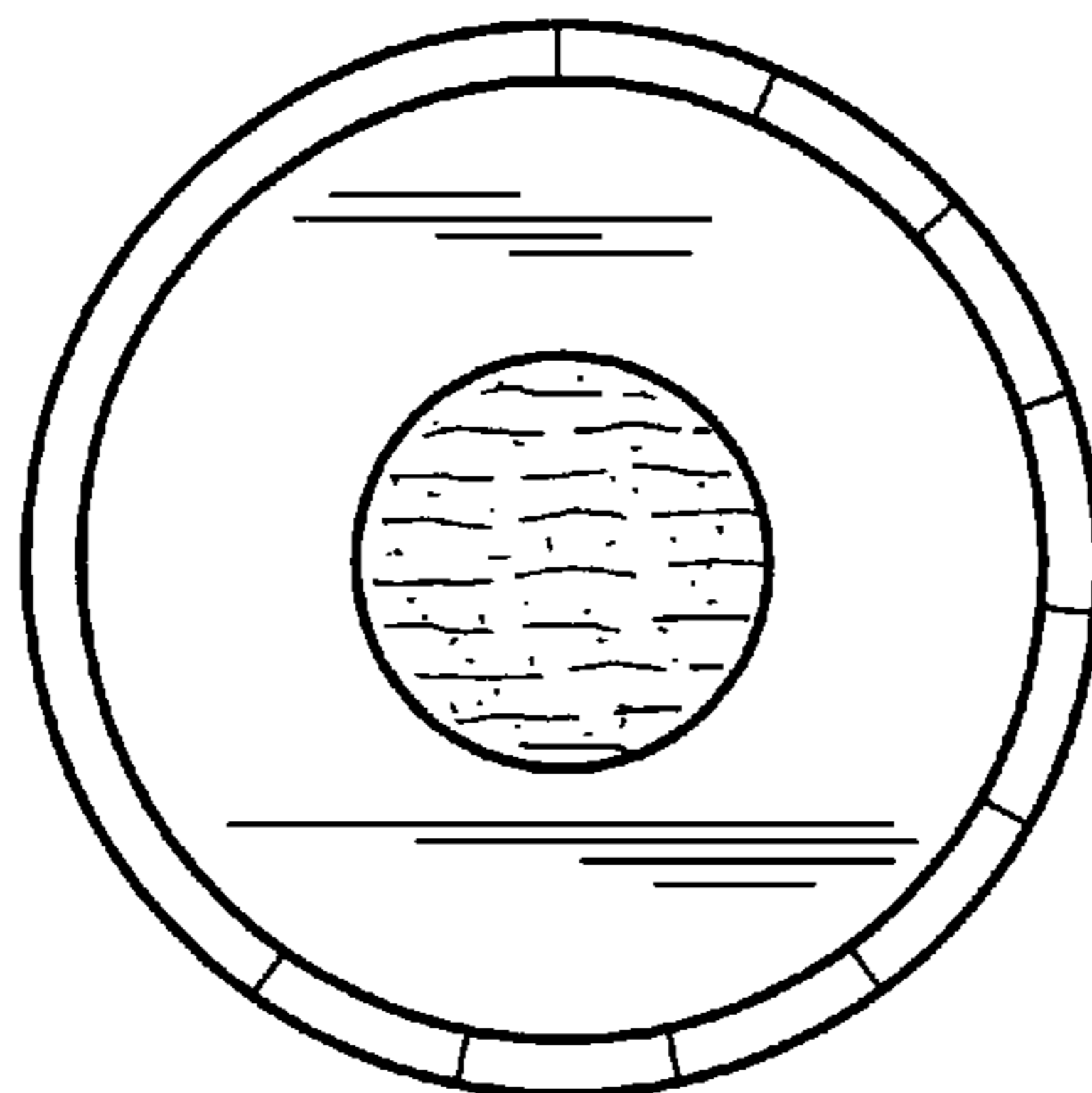


FIG. 4