



US00D428181S

United States Patent [19]

Nicholas

[11] Patent Number: Des. 428,181

[45] Date of Patent: ** Jul. 11, 2000

[54] WALL LAMP

[75] Inventor: Kenneth J. Nicholas, Parma, Ohio

[73] Assignee: The L. D. Kichler Co., Cleveland, Ohio

[**] Term: 14 Years

[21] Appl. No.: 29/100,924

[22] Filed: Feb. 22, 1999

[51] LOC (7) Cl. 26-05

[52] U.S. Cl. D26/86

[58] Field of Search D26/80-92; 362/147, 362/431, 432, 404-408

[56] References Cited

U.S. PATENT DOCUMENTS

D. 403,101 12/1998 Bayer et al. D26/85 X

OTHER PUBLICATIONS

Abitare magazine, p. 40, ceiling lamp, Sep. 1985.
Manning lighting catalog, p. 13, wall lamp, top, right, Feb. 1992.

Primary Examiner—Susan J. Lucas

Attorney, Agent, or Firm—Watts, Hoffmann, Fisher & Heinke, Co., LPA

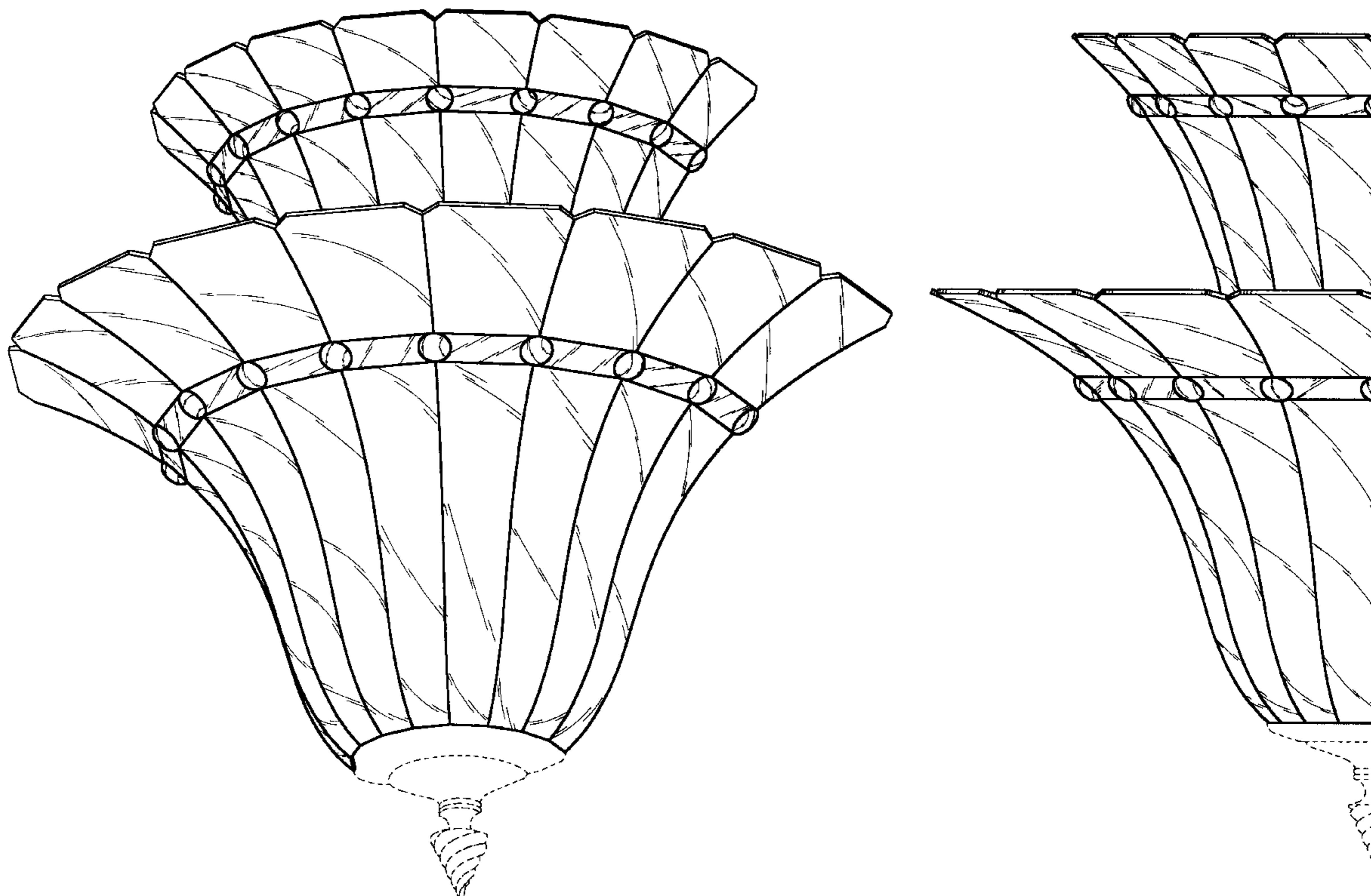
[57] CLAIM

I claim the ornamental design for a wall lamp, as shown and described.

DESCRIPTION

FIG. 1 is a perspective view of a wall lamp showing my new design;
FIG. 2 is a front elevational view of a wall lamp;
FIG. 3 is a rear elevational view of a wall lamp;
FIG. 4 is a right side elevational view of a wall lamp, the left side elevational view being a mirror image;
FIG. 5 is a top plan view of a wall lamp;
FIG. 6 is a bottom plan view of a wall lamp;
FIG. 7 is a perspective view of the second embodiment of a wall lamp showing my new design;
FIG. 8 is a front elevational view of a wall lamp;
FIG. 9 is a rear elevational view of a wall lamp;
FIG. 10 is a right side elevational view of a wall lamp, the left side elevational view being a mirror image;
FIG. 11 is a top plan view of a wall lamp; and
FIG. 12 is a bottom plan view of a wall lamp.
The broken lines shown are for illustrative purposes only and form no part of the claimed design.

1 Claim, 8 Drawing Sheets



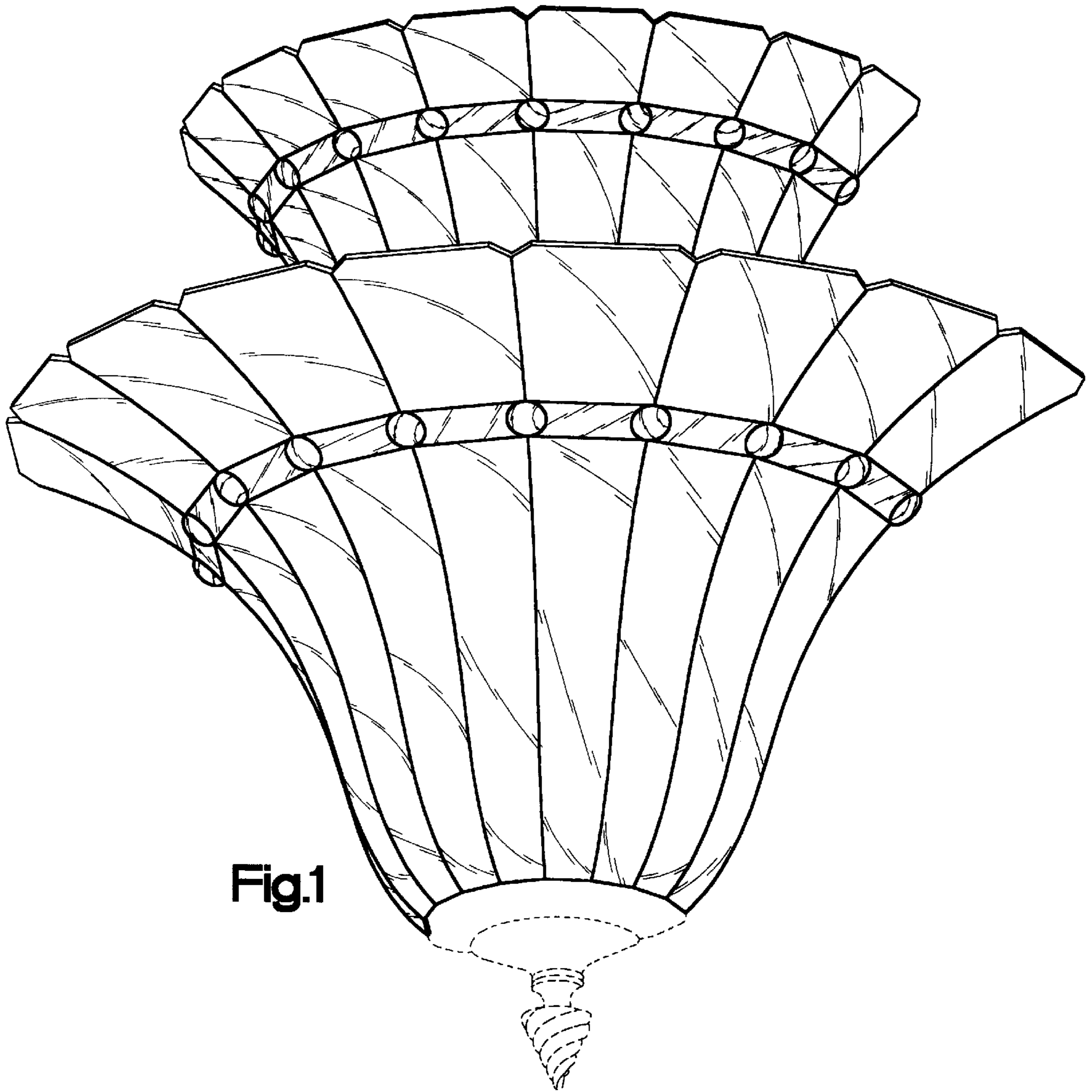


Fig.1

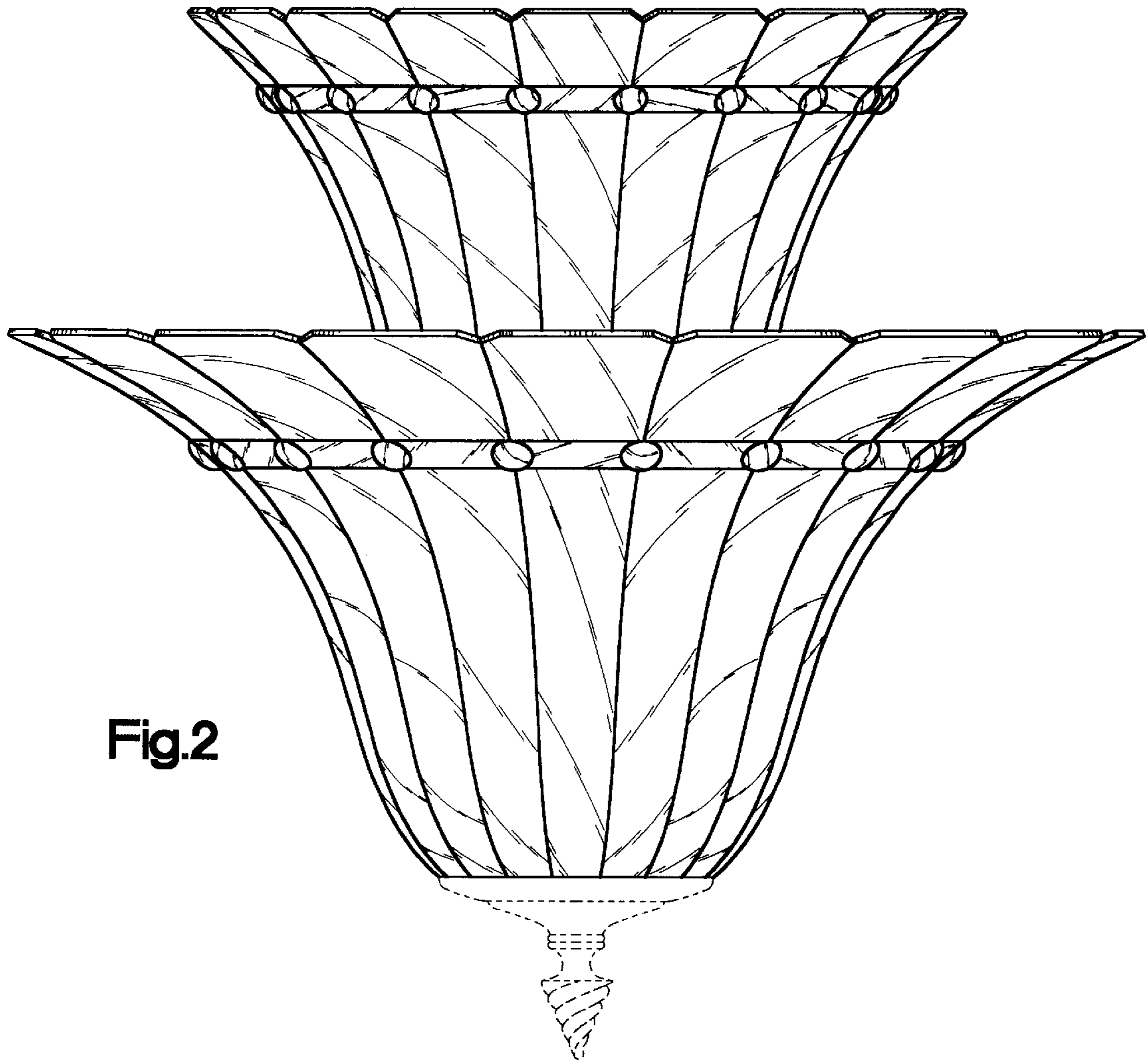


Fig.2

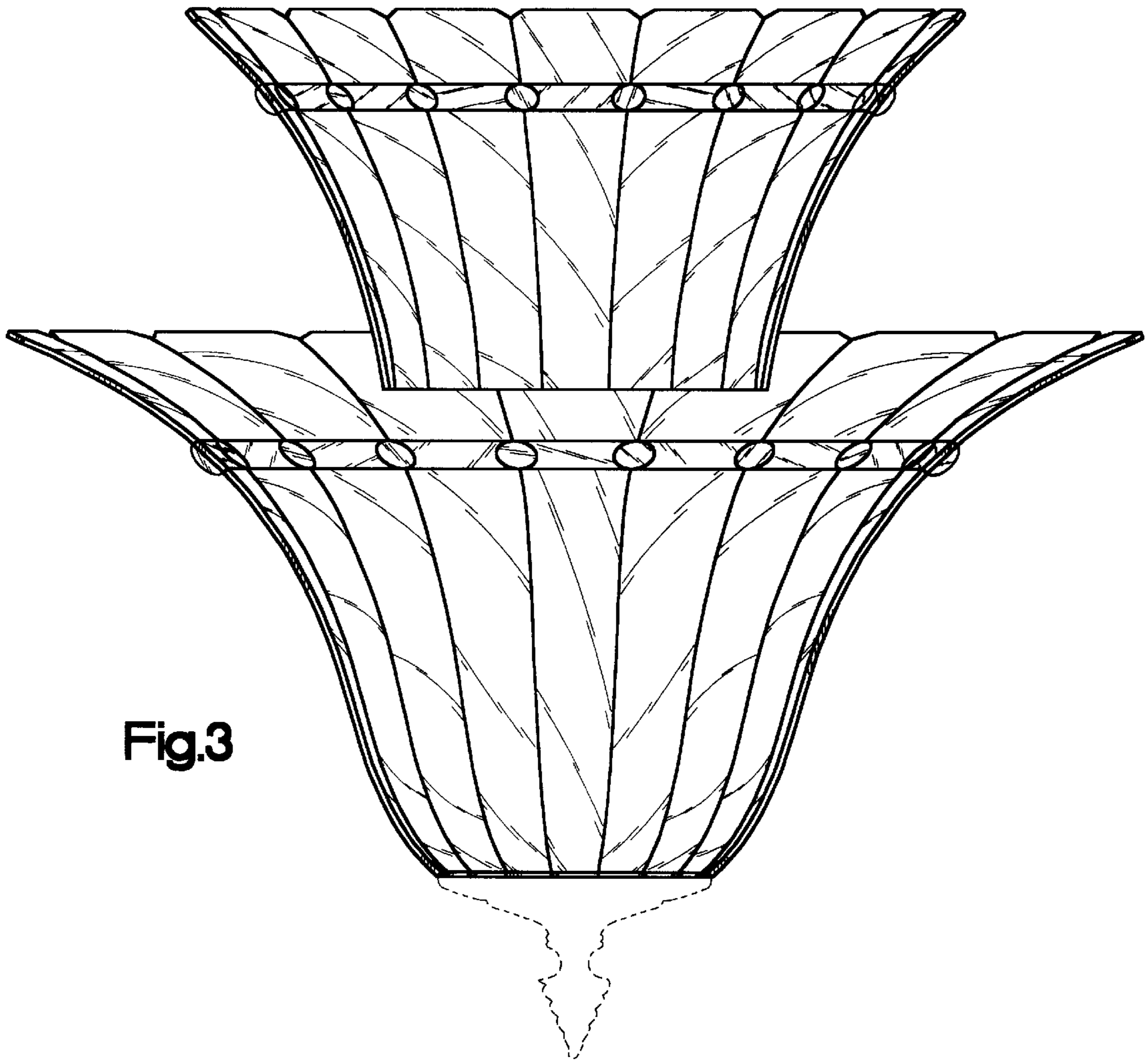


Fig.3

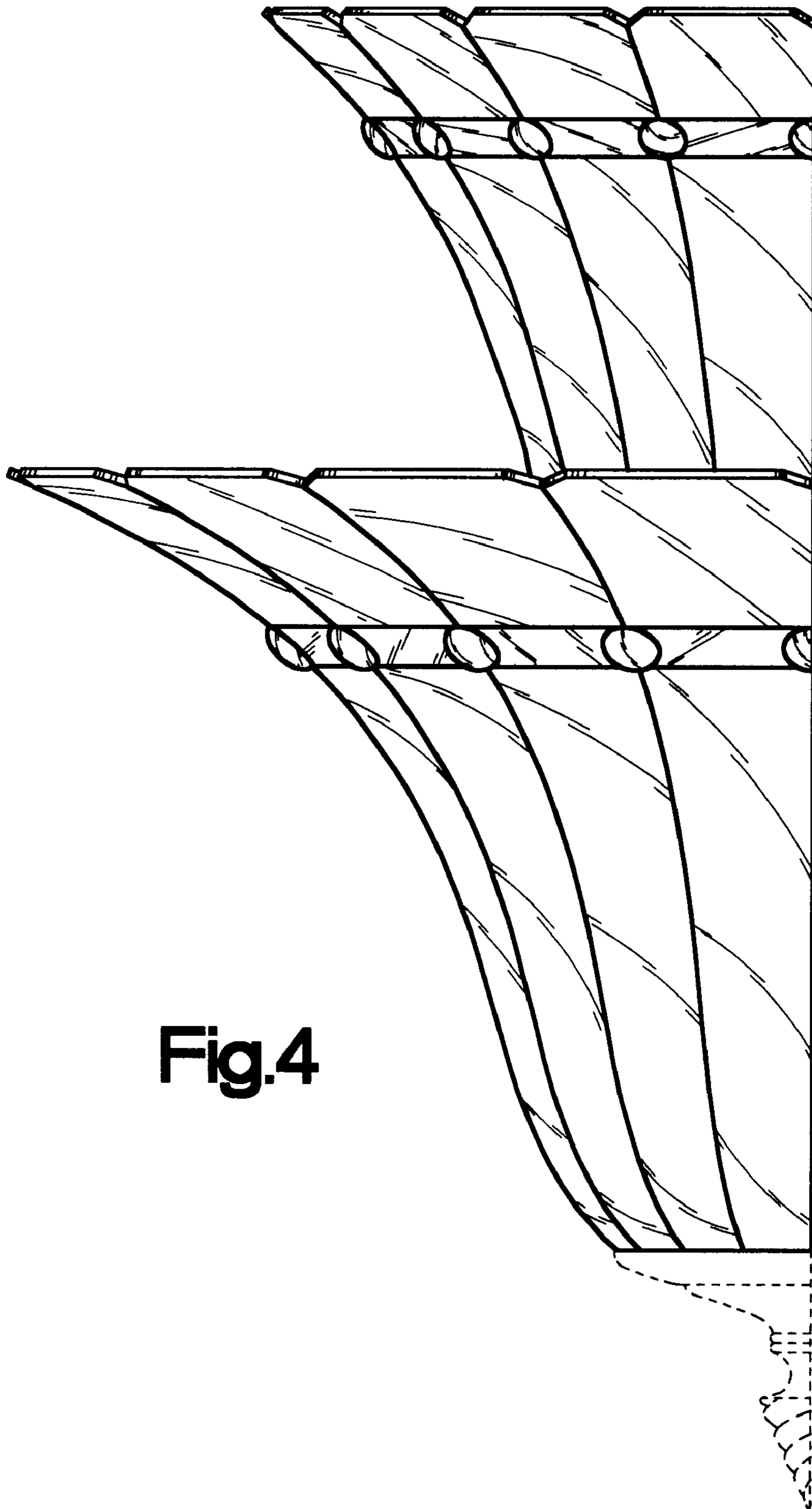


Fig.4

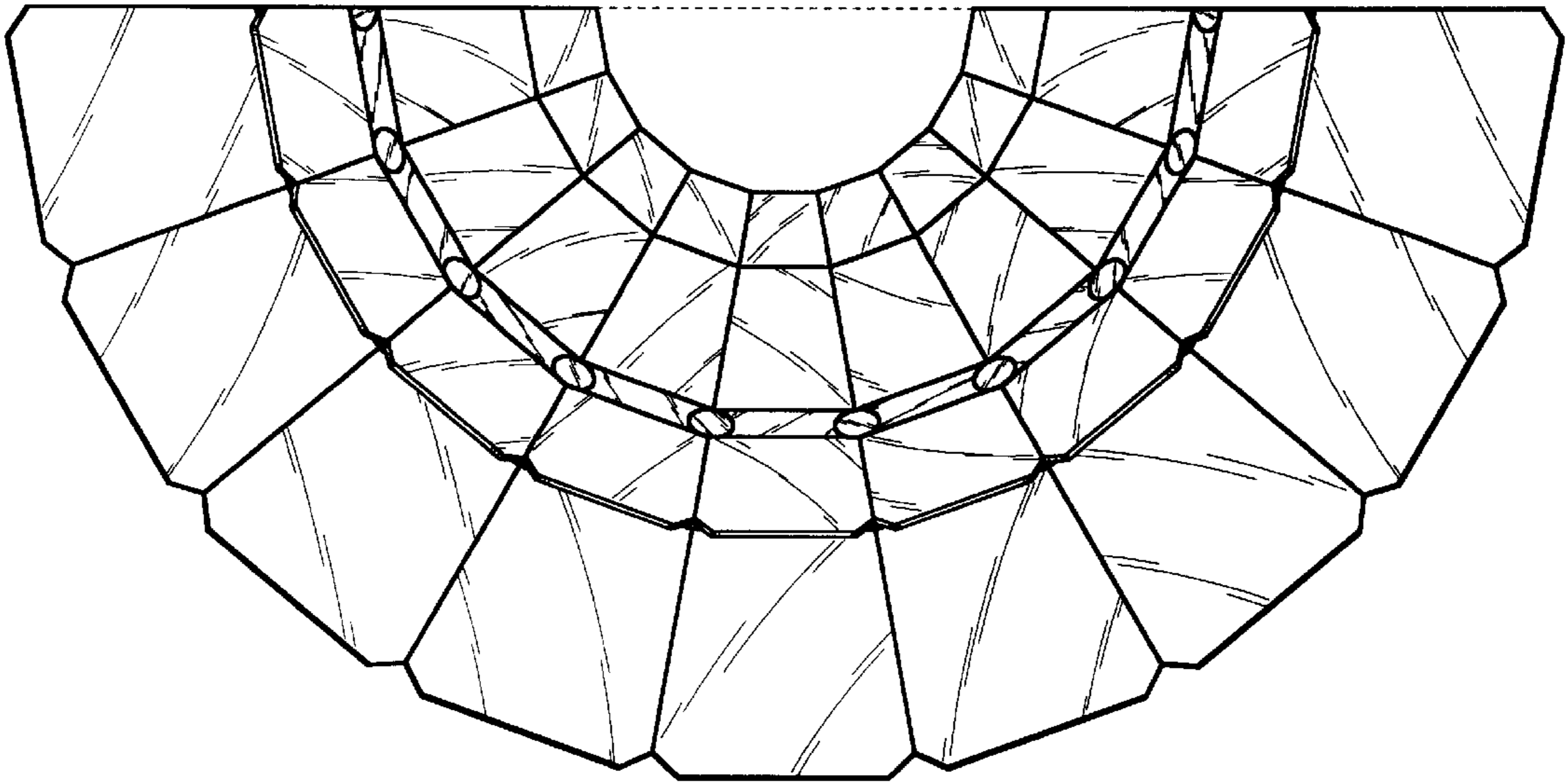


Fig.5

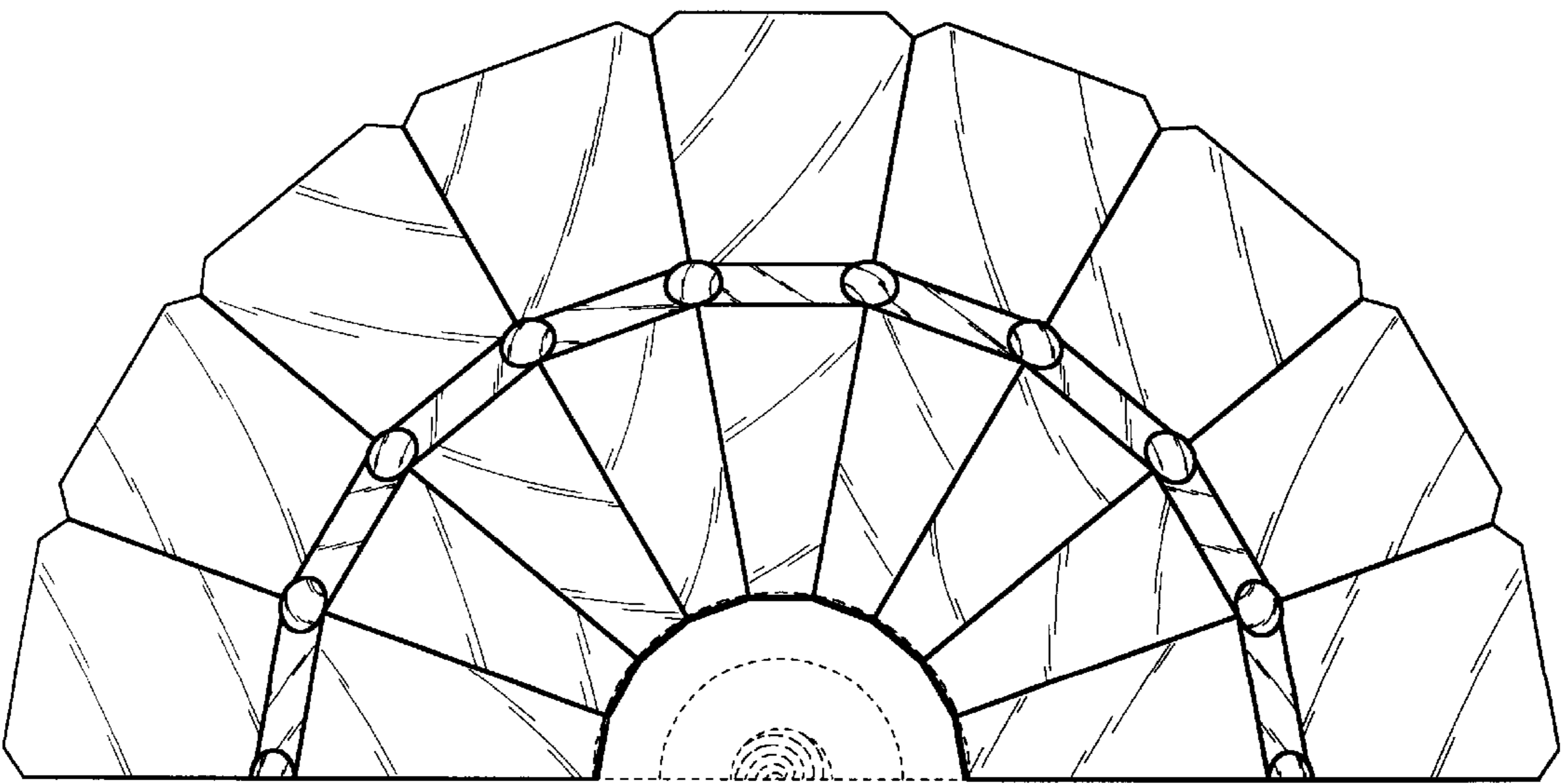


Fig.6

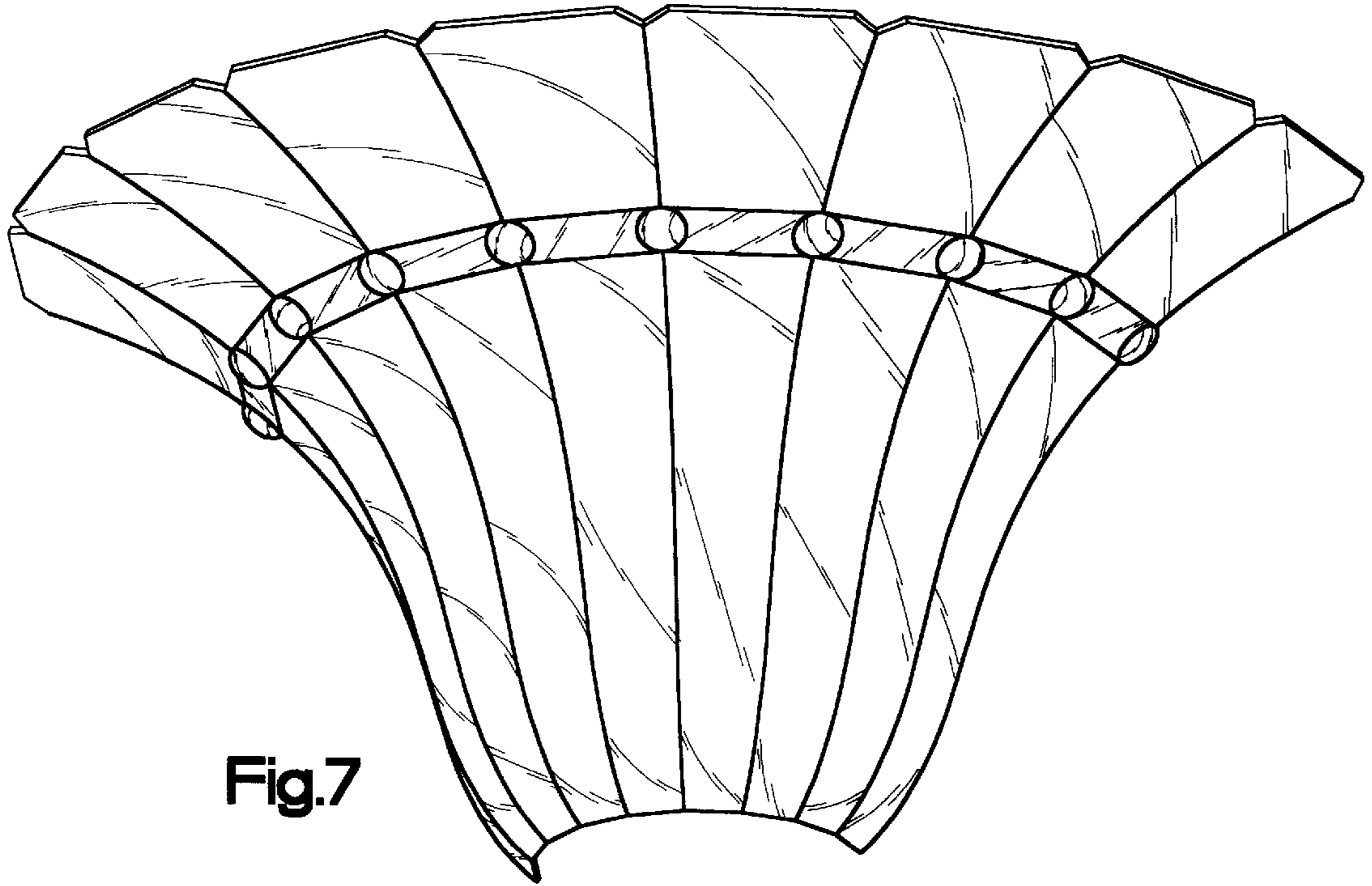


Fig.7

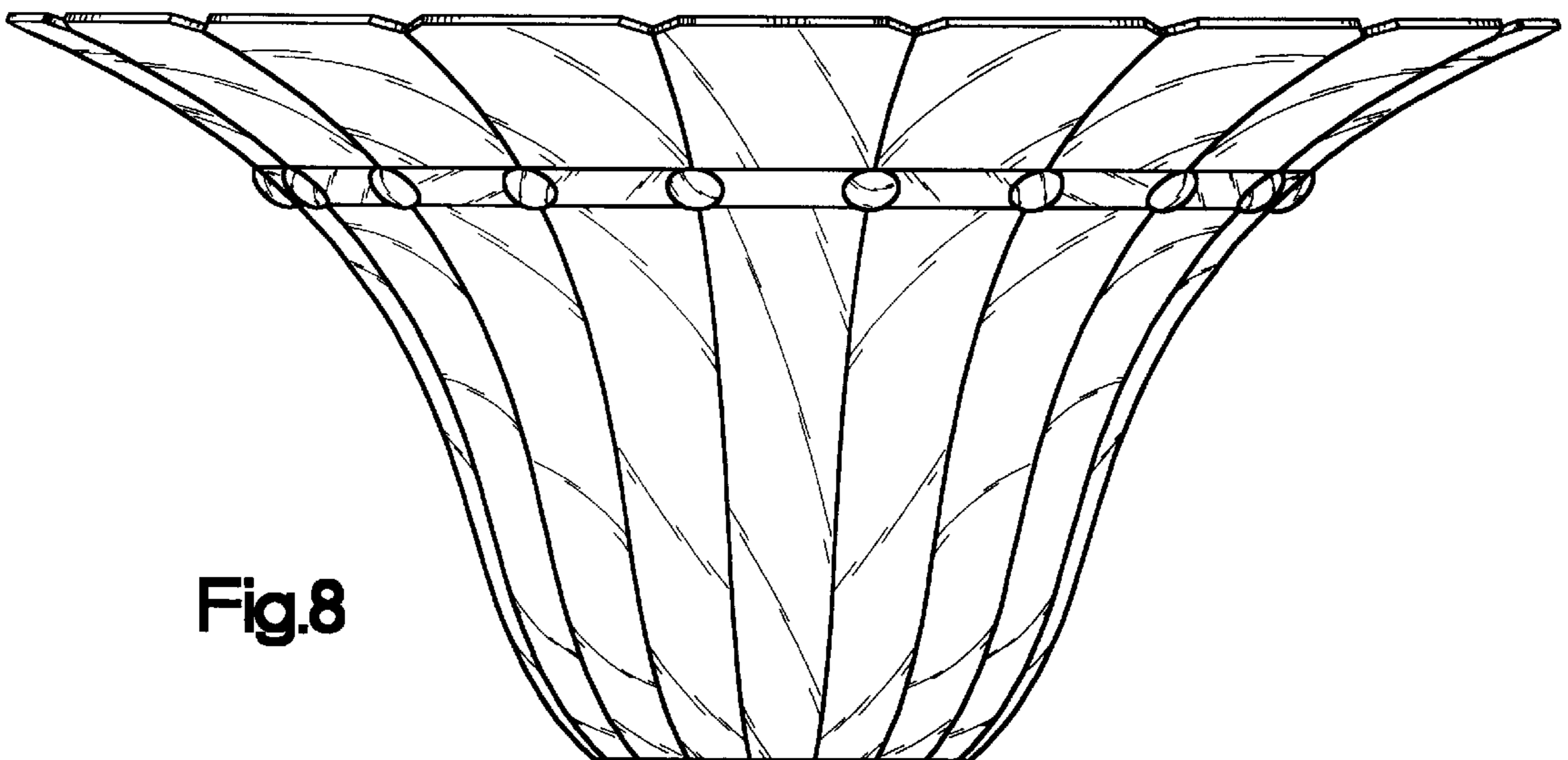


Fig.8

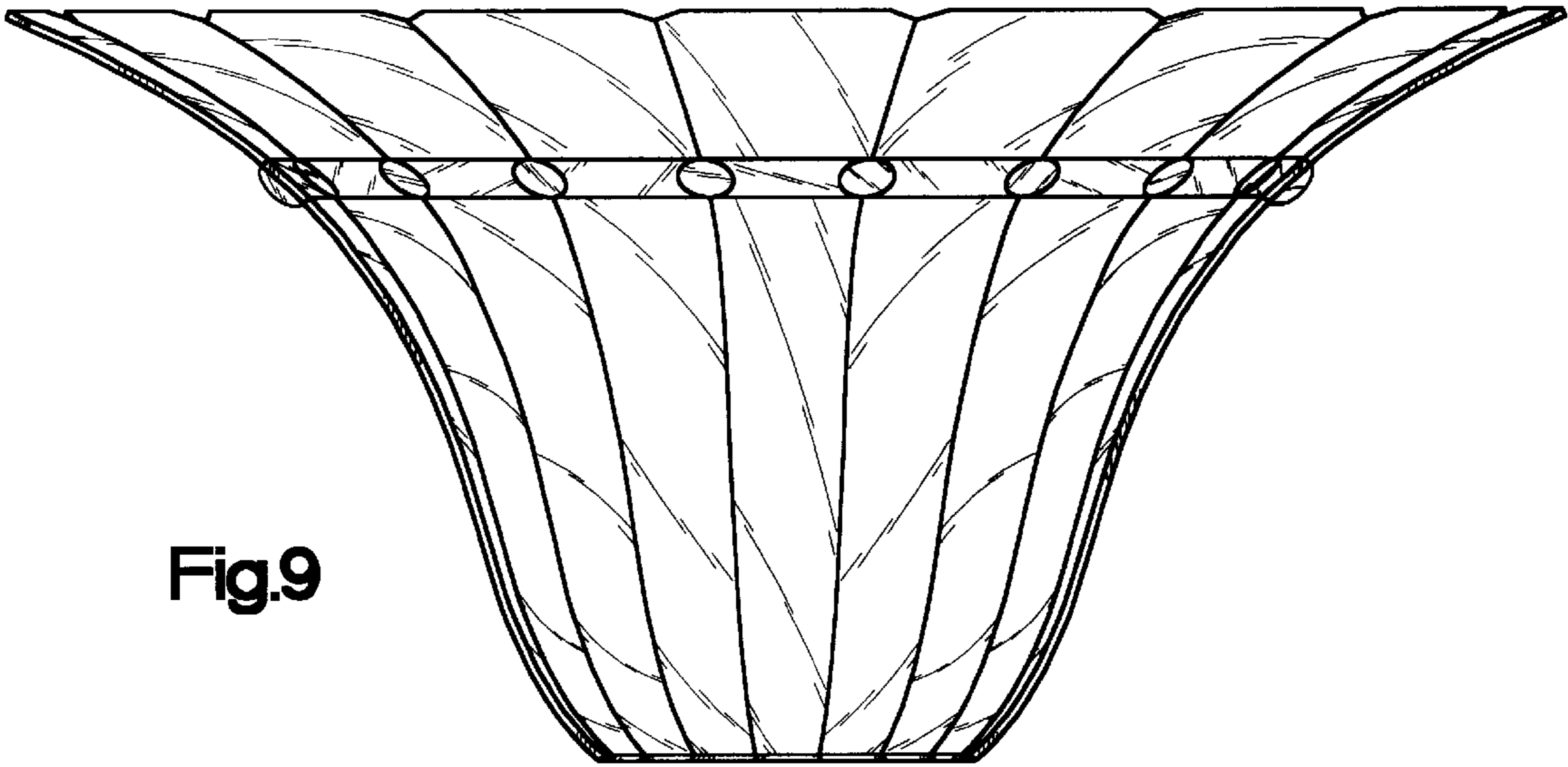


Fig.9

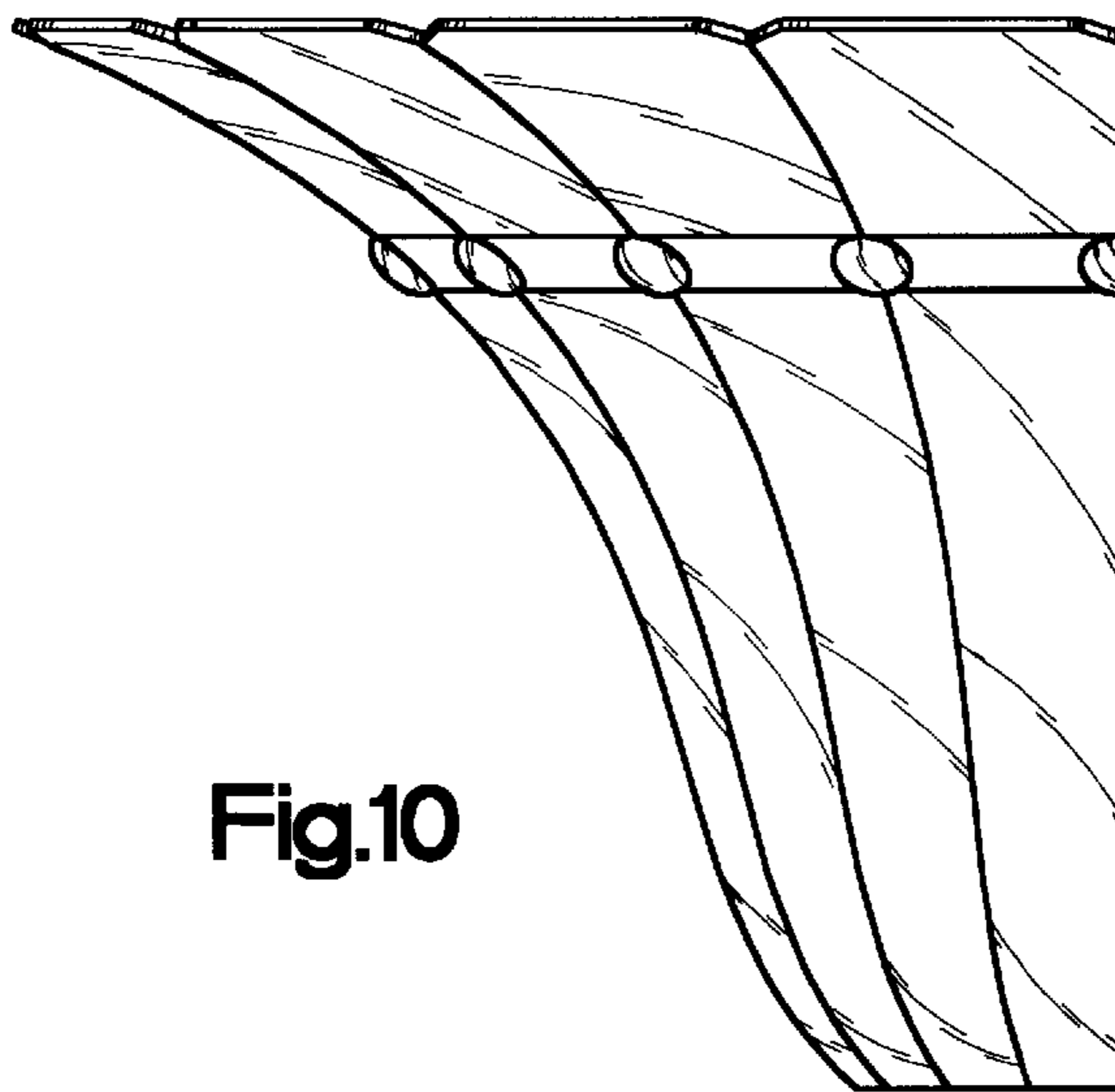


Fig.10

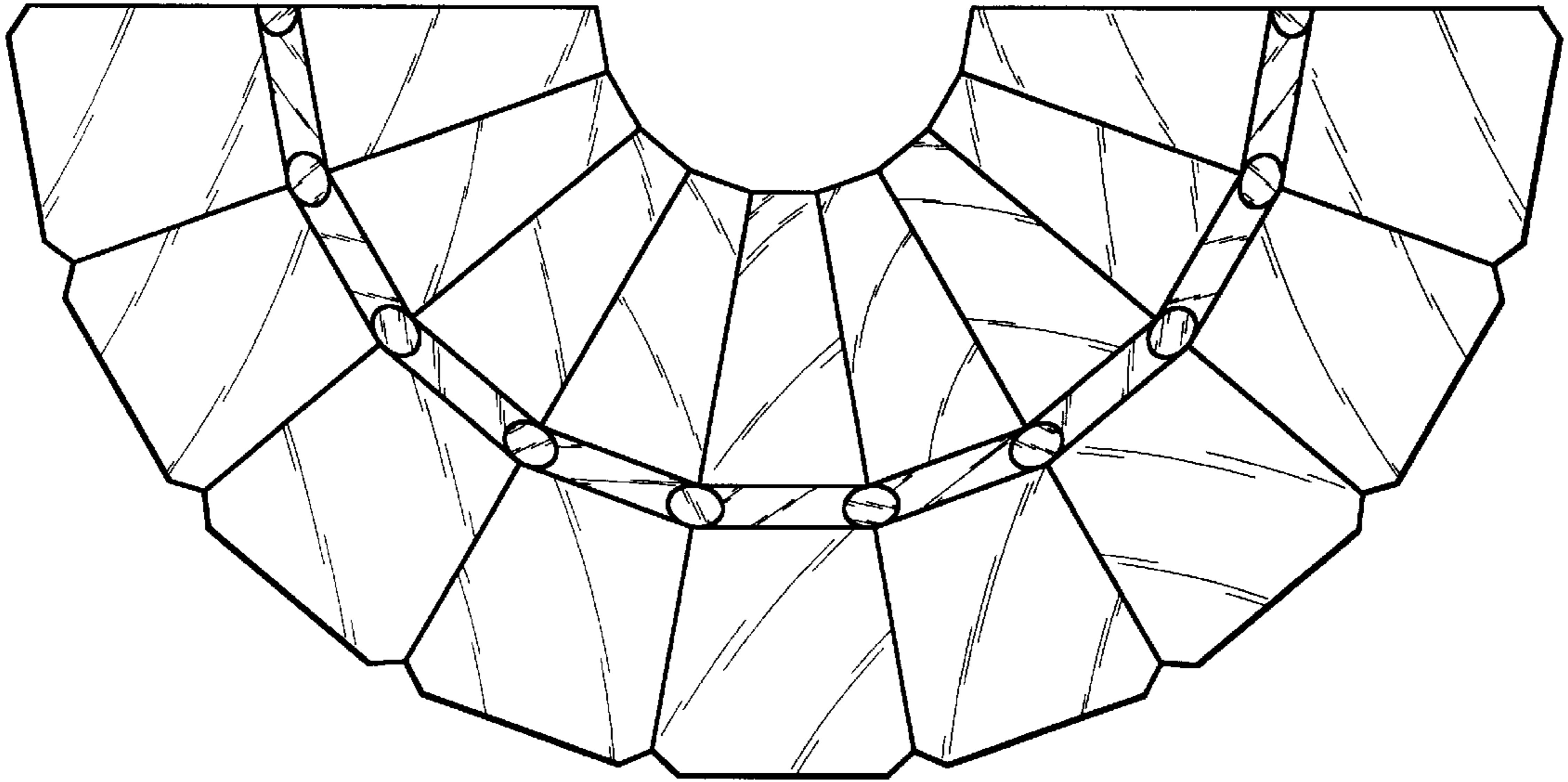


Fig.11

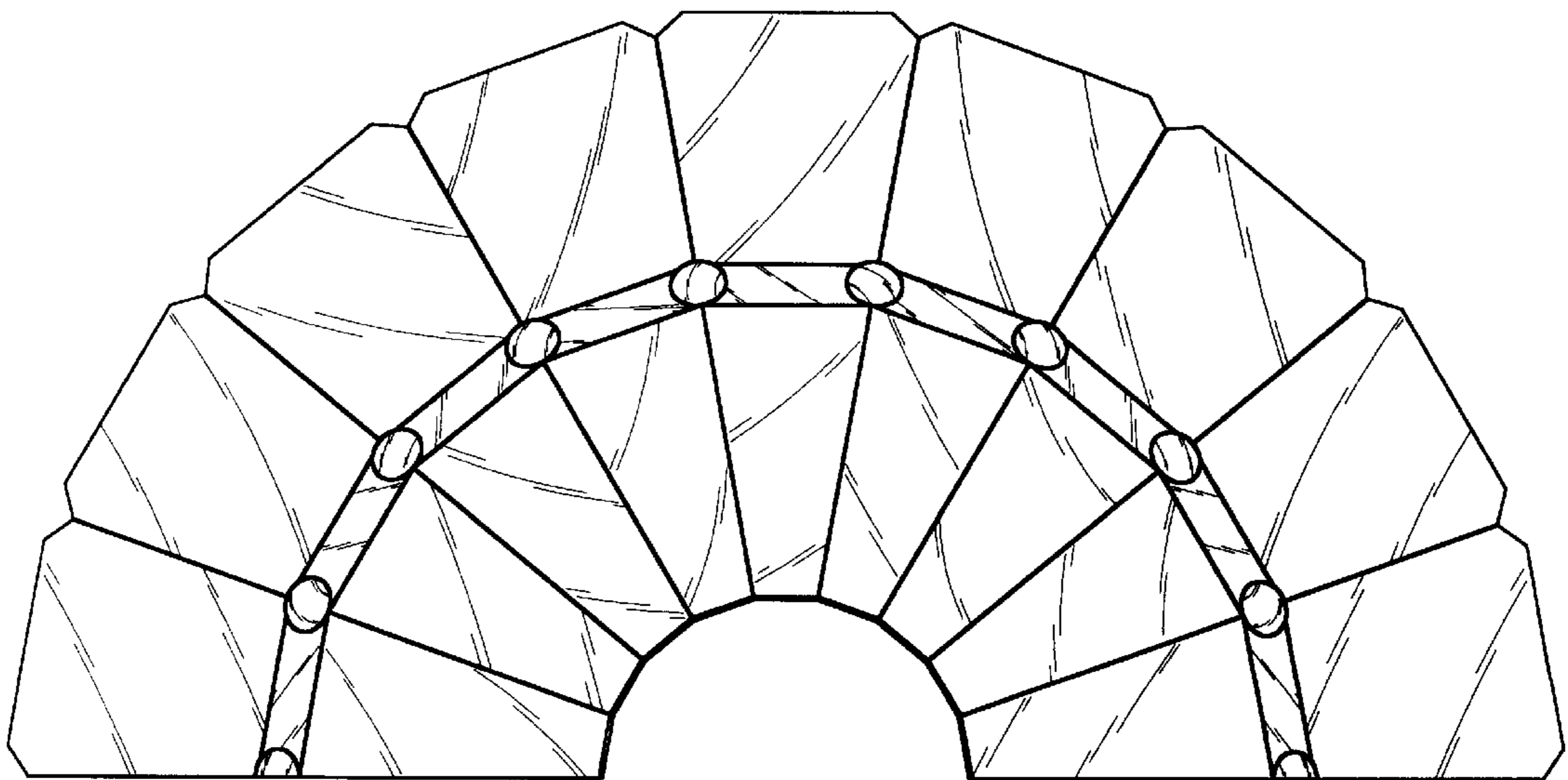


Fig.12