



US00D428180S

United States Patent [19]

Orellana et al.

[11] Patent Number: Des. 428,180

[45] Date of Patent: ** Jul. 11, 2000

[54] **OUTDOOR LUMINAIRE**

[75] Inventors: **Angel Orellana; Joseph Straus**, both of Sun Valley, Calif.

[73] Assignee: **U.S. Pole Company, Inc.**, Sun Valley, Calif.

[**] Term: **14 Years**

[21] Appl. No.: **29/096,196**

[22] Filed: **Nov. 6, 1998**

[51] **LOC (7) Cl.** **26-05**

[52] **U.S. Cl.** **D26/67; D26/71**

[58] **Field of Search** **D26/67-71, 87, D26/92; 200/303; 362/147, 153, 153.1, 431, 432, 345**

[56] **References Cited**

U.S. PATENT DOCUMENTS

D. 100,102	6/1936	Halvorson	D26/85
D. 165,326	12/1951	Cross	D26/71
D. 248,503	7/1978	Grindle	D26/67
D. 321,406	11/1991	Schlesselman	D26/67

OTHER PUBLICATIONS

Architectural Area Lighting brochure entitled Promenade Series pp. 1-12, publication date unknown.

Thomas EMCO Lighting brochure, pp. 1-11, Feb. 1979.

Primary Examiner—Freda Nunn

Attorney, Agent, or Firm—Christie, Parker & Hale, LLP

[57] **CLAIM**

The ornamental design for an outdoor luminaire, as shown and described.

DESCRIPTION

FIG. 1 is a perspective view of an outdoor luminaire showing our new design;

FIG. 2 is a side view of the first embodiment shown in FIG. 1;

FIG. 3 is a top view of the first embodiment shown in FIG. 1;

FIG. 4 is a bottom view of the first embodiment shown in FIG. 1;

FIG. 5 is perspective view of a second embodiment of the invention;

FIG. 6 is a side view of the second embodiment shown in FIG. 5;

FIG. 7 is a bottom view of the second embodiment shown in FIG. 5, a top view of the second embodiment being identical to FIG. 3;

FIG. 8 is perspective view of a third embodiment of the invention;

FIG. 9 is a side view of the third embodiment shown in FIG. 8;

FIG. 10 is a bottom view of the third embodiment shown in FIG. 8, a top view of the third embodiment being identical to FIG. 3;

FIG. 11 is perspective view of a fourth embodiment of the invention;

FIG. 12 is a side view of the fourth embodiment shown in FIG. 11;

FIG. 13 is a bottom view of the fourth embodiment shown in FIG. 11, a top view of the fourth embodiment being identical to FIG. 3;

FIG. 14 is perspective view of a fifth embodiment of the invention;

FIG. 15 is a side view of the fifth embodiment shown in FIG. 14;

FIG. 16 is a top view of the fifth embodiment shown in FIG. 14, a bottom view of the fifth embodiment being identical to FIG. 4;

FIG. 17 is perspective view of a sixth embodiment of the invention;

FIG. 18 is a side view of the sixth embodiment shown in FIG. 17, a top view of the sixth embodiment being identical to FIG. 16 and a bottom view of the sixth embodiment being identical to FIG. 7;

FIG. 19 is perspective view of a seventh embodiment of the invention;

FIG. 20 is a side view of the seventh embodiment shown in FIG. 19, a top view of the seventh embodiment being identical to FIG. 16 and a bottom view of the sixth embodiment being identical to FIG. 10;

FIG. 21 is perspective view of an eighth embodiment of the invention;

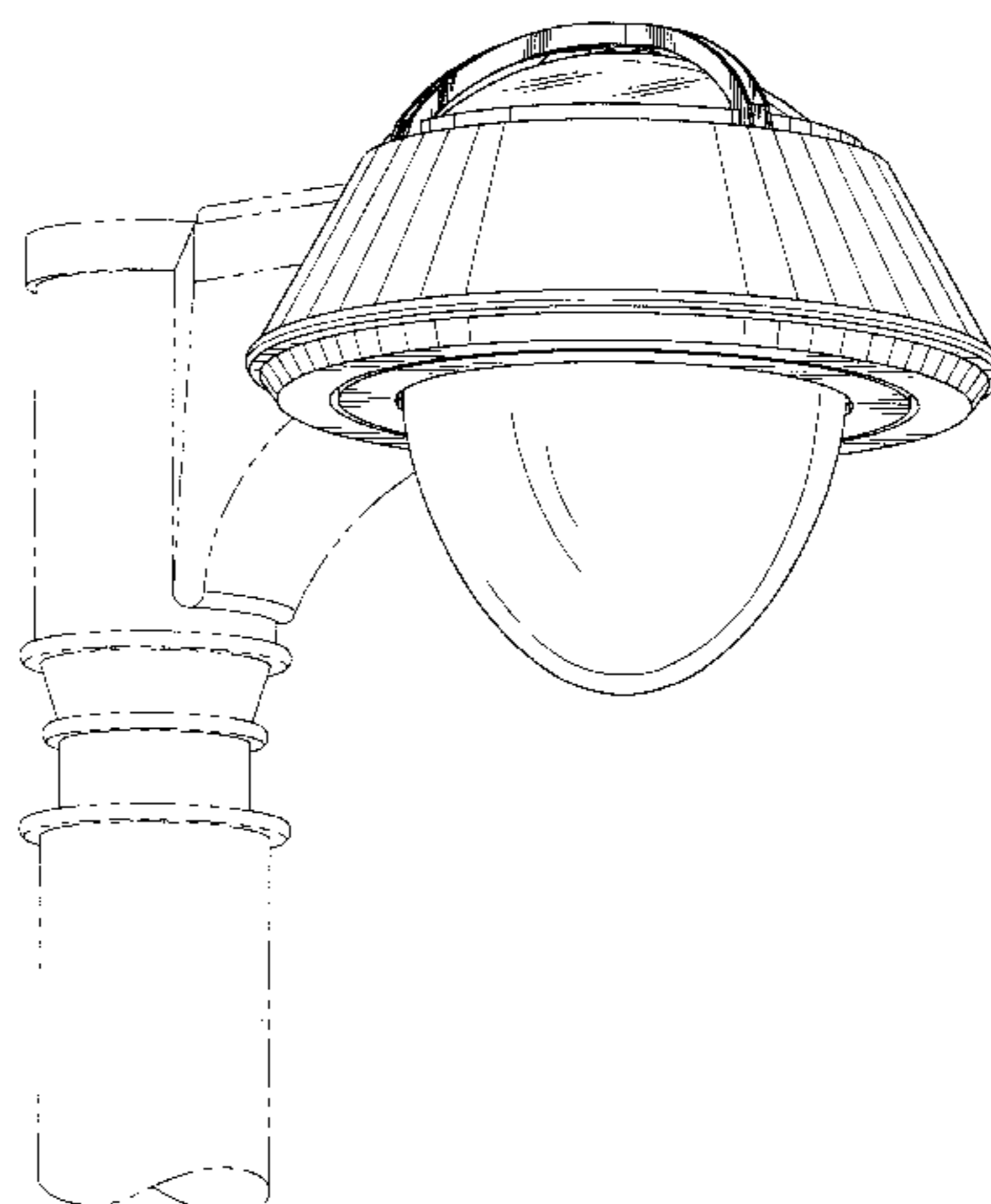
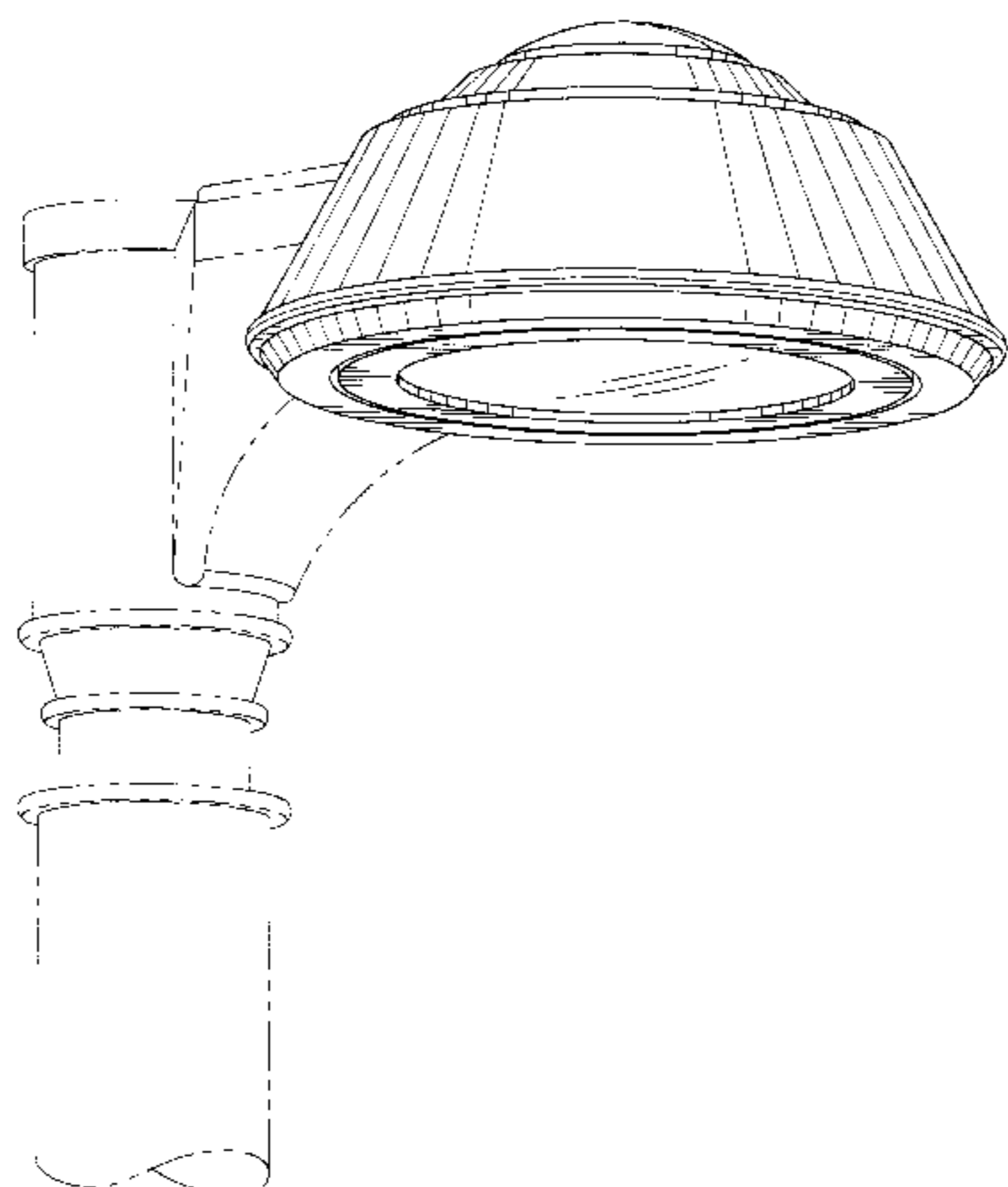


FIG. 22 is a side view of the eighth embodiment shown in FIG. 21, a top view of the eighth embodiment being identical to FIG. 16 and a bottom view of the eighth embodiment being identical to FIG. 13;

FIG. 23 is perspective view of a ninth embodiment of the invention;

FIG. 24 is a side view of the ninth embodiment shown in FIG. 23;

FIG. 25 is a top view of the ninth embodiment shown in FIG. 23, a bottom view of the ninth embodiment being identical to FIG. 4;

FIG. 26 is perspective view of a tenth embodiment of the invention;

FIG. 27 is a side view of the tenth embodiment shown in FIG. 26, a top view of the tenth embodiment being identical to FIG. 25 and a bottom view of the tenth embodiment being identical to FIG. 7;

FIG. 28 is perspective view of an eleventh embodiment of the invention;

FIG. 29 is a side view of the eleventh embodiment shown in FIG. 28, a top view of the eleventh embodiment being identical to FIG. 25 and a bottom view of the eleventh embodiment being identical to FIG. 10;

FIG. 30 is perspective view of a twelfth embodiment of the invention;

FIG. 31 is a side view of the twelfth embodiment shown in FIG. 30, a top view of the twelfth embodiment being identical to FIG. 25 and a bottom view of the twelfth embodiment being identical to FIG. 13; and,

FIG. 32 is a top view of a thirteenth embodiment of the invention, which is identical to the fifth embodiment, except that the dome top is transparent or translucent, instead of opaque.

The broken lines are shown in the views for illustrative purposes only and form no part of the claimed design.

1 Claim, 32 Drawing Sheets

FIG. 1

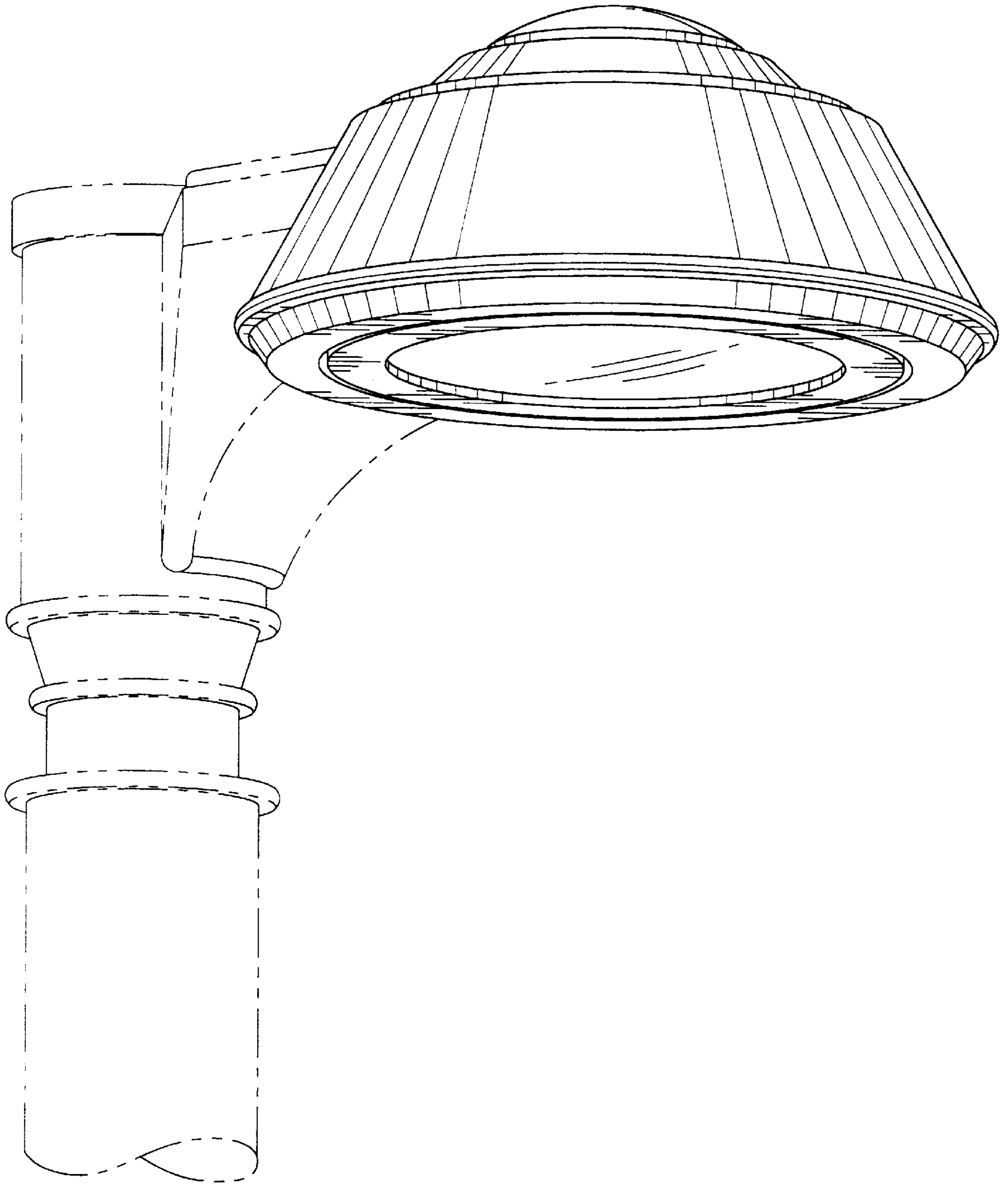


FIG. 2

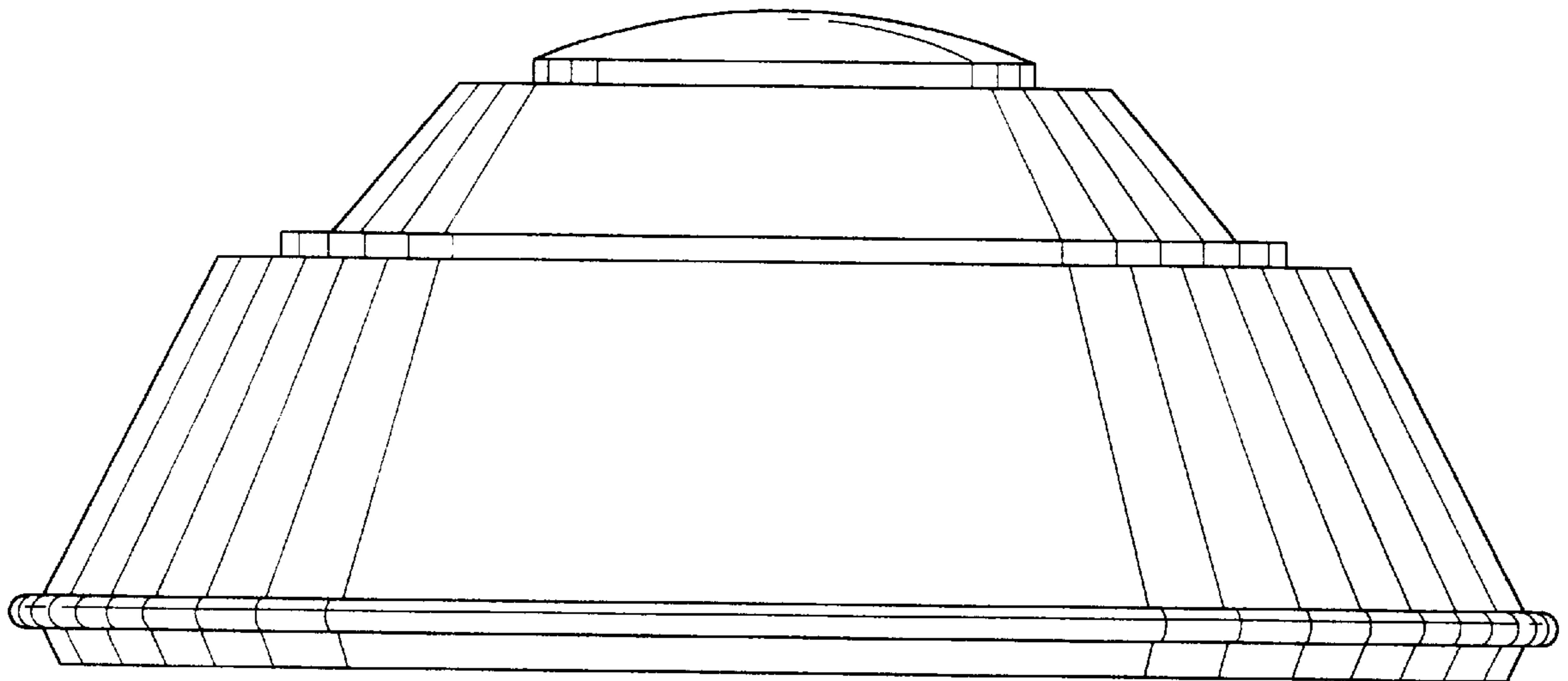


FIG. 3

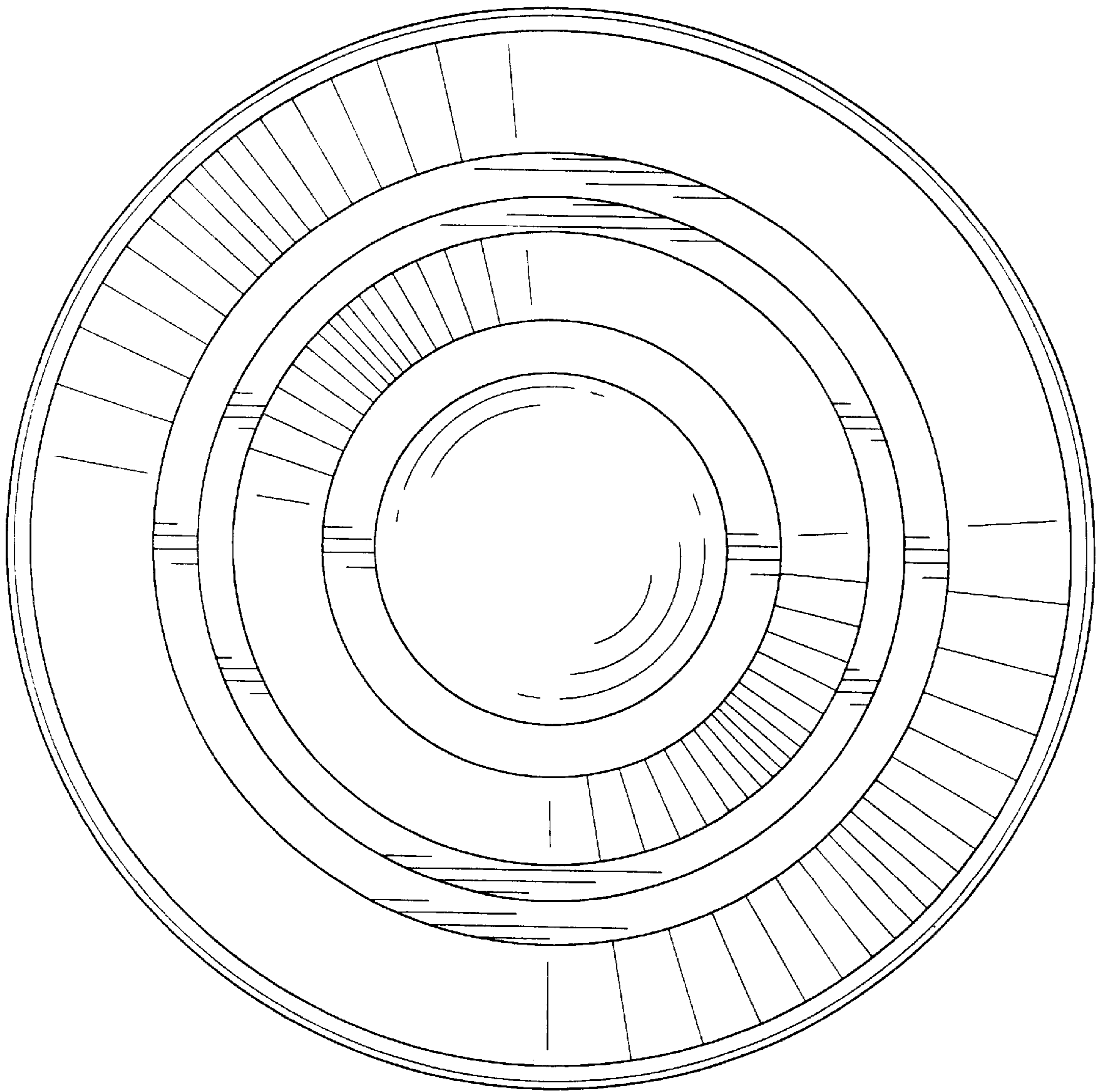


FIG. 4

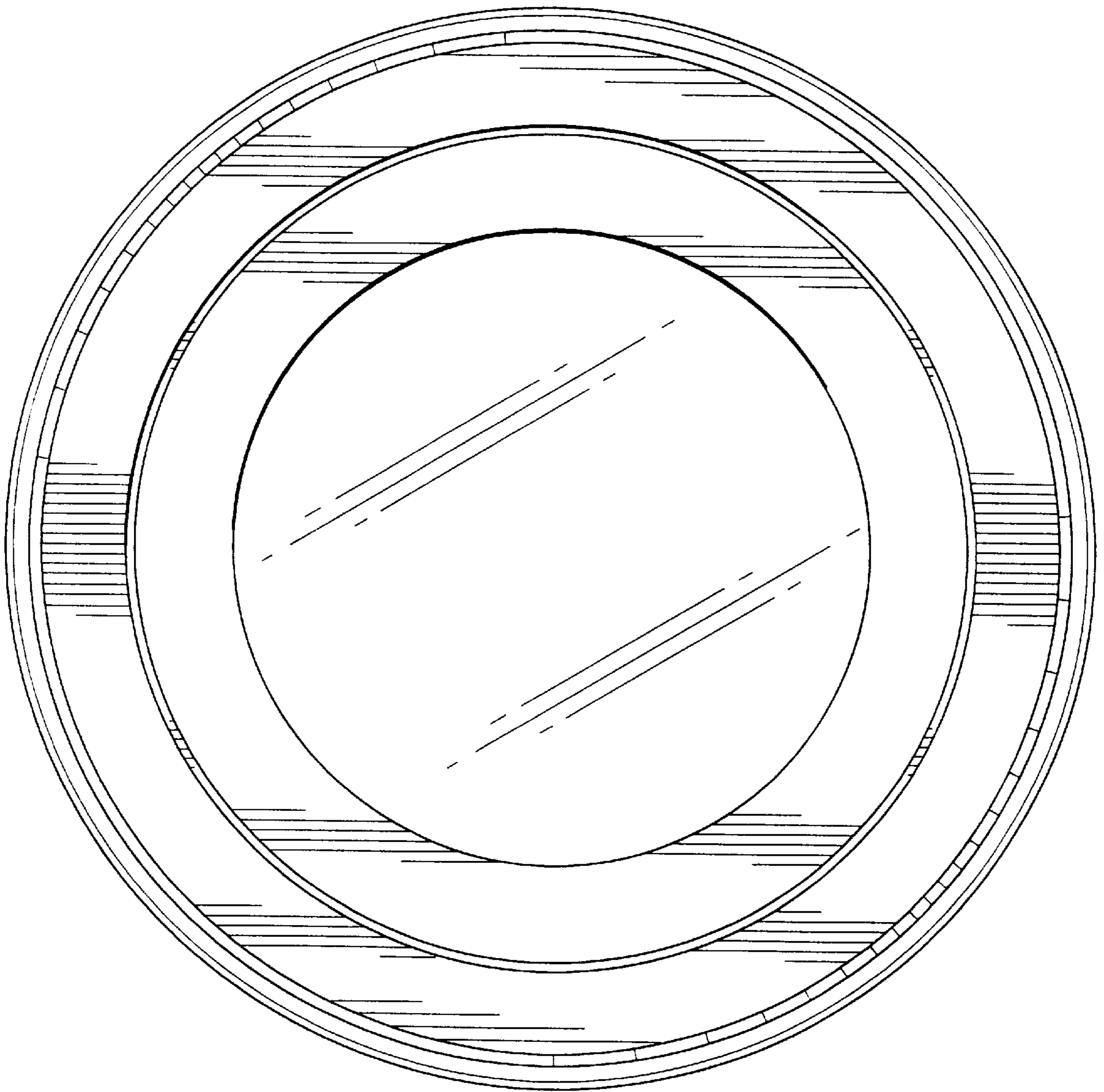


FIG. 5

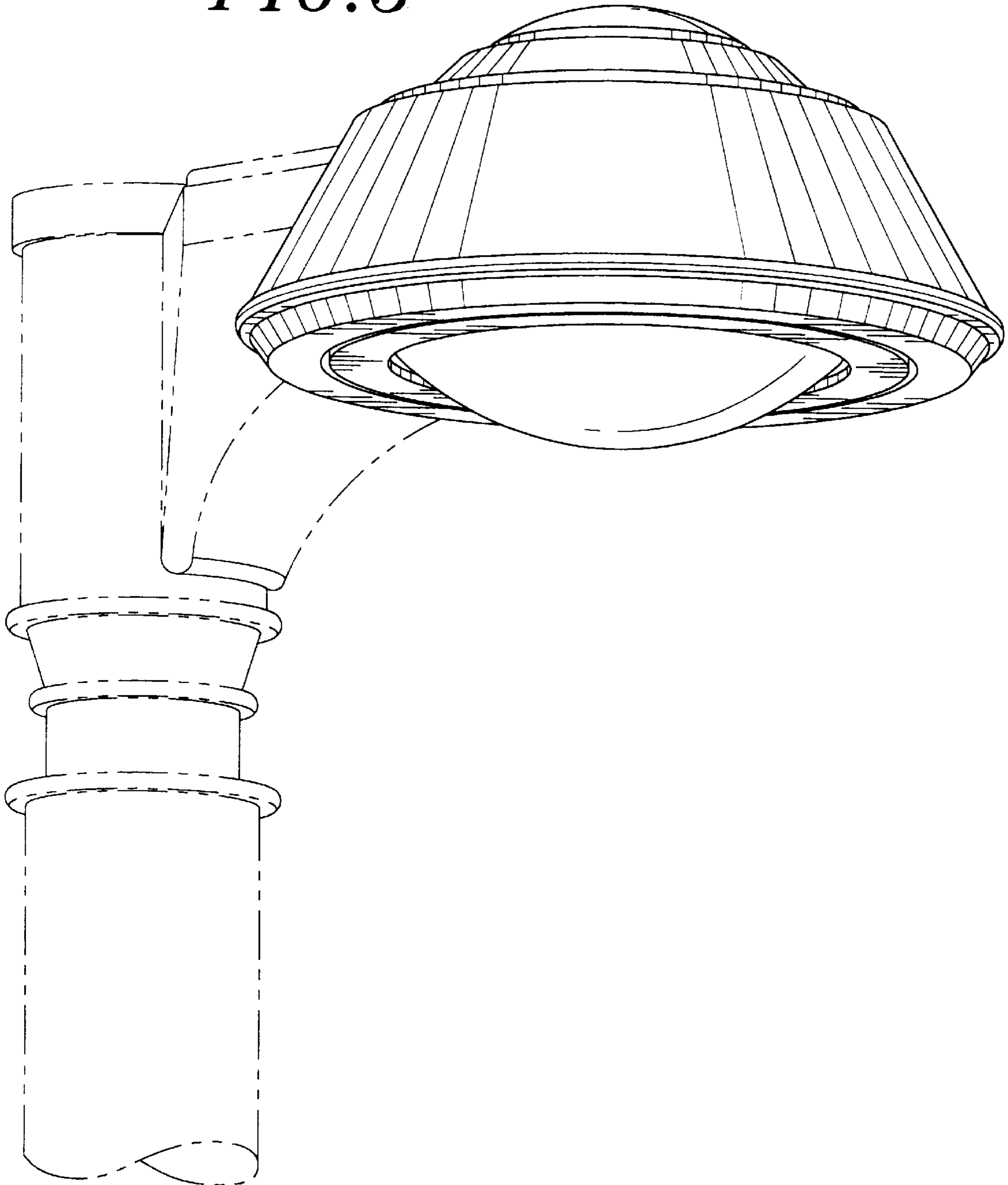


FIG. 6

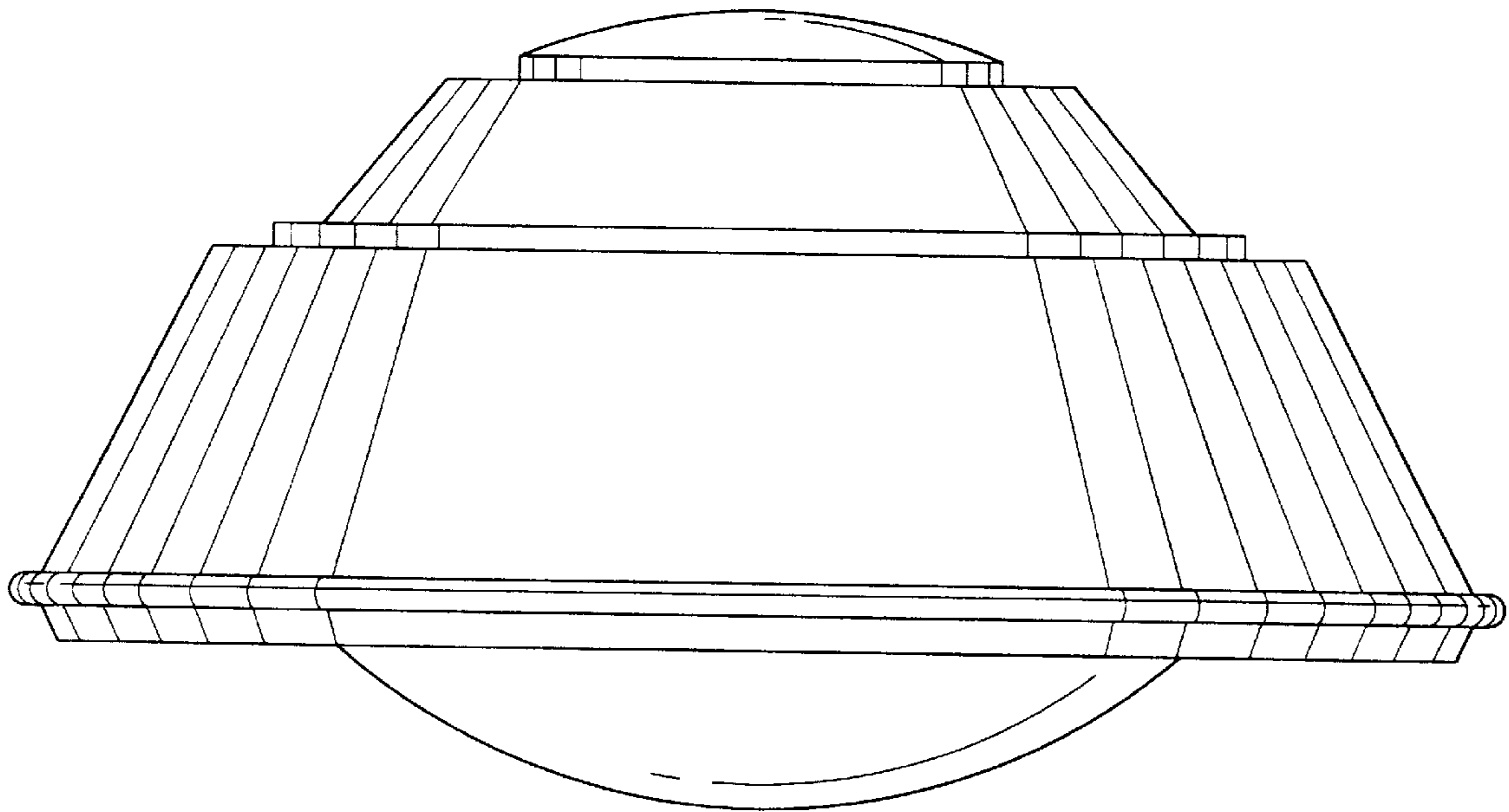


FIG. 7

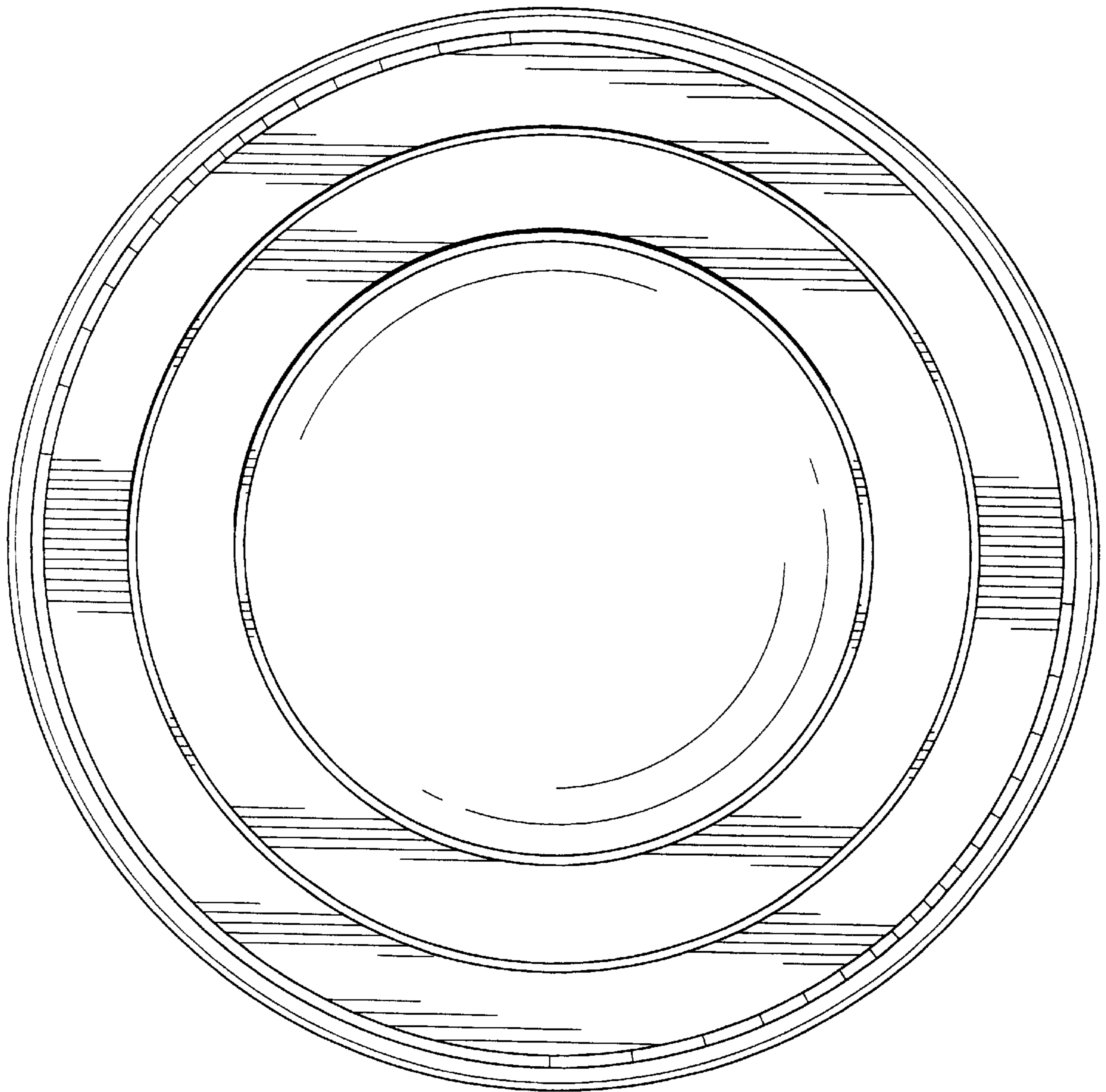


FIG. 8

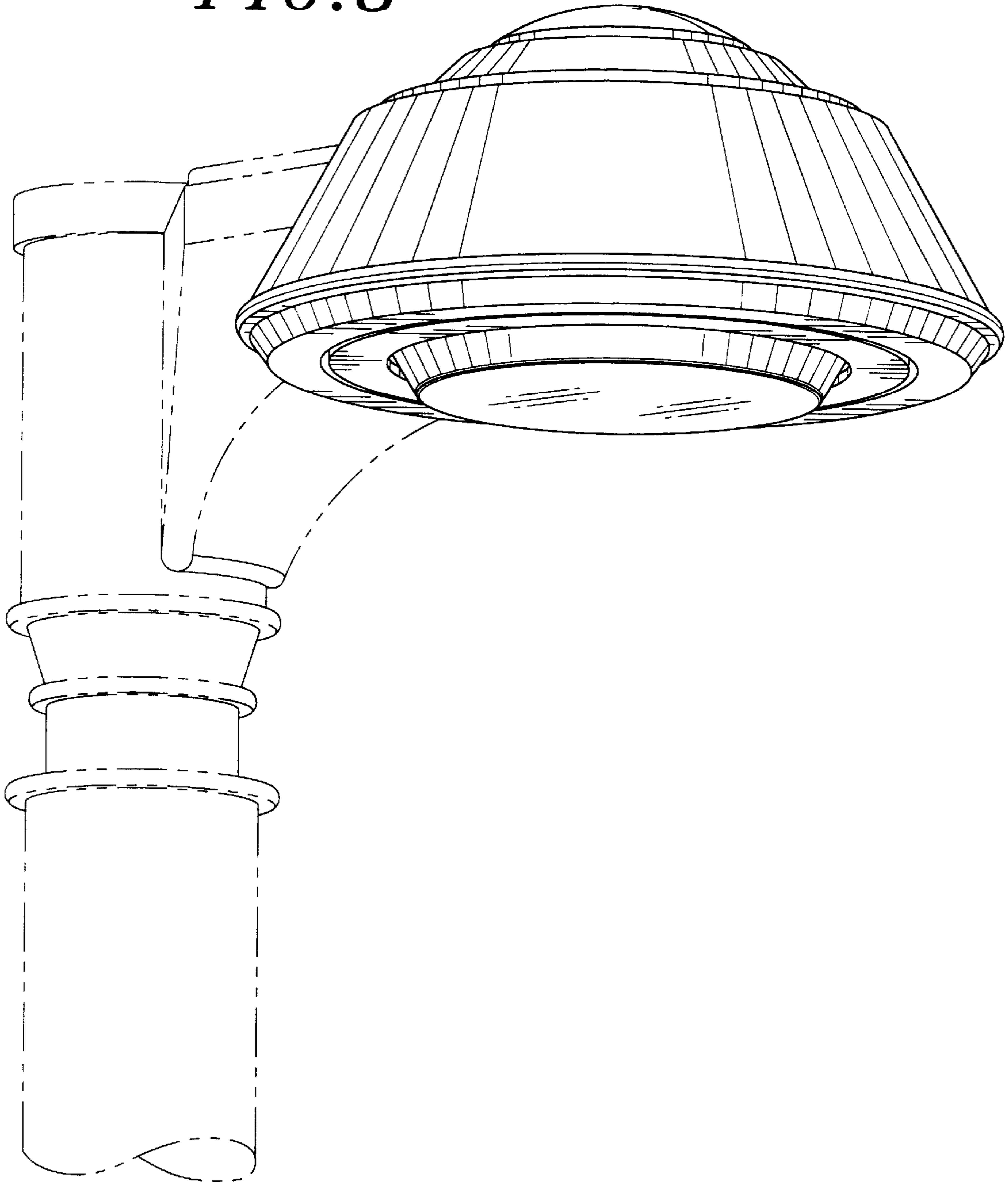


FIG. 9

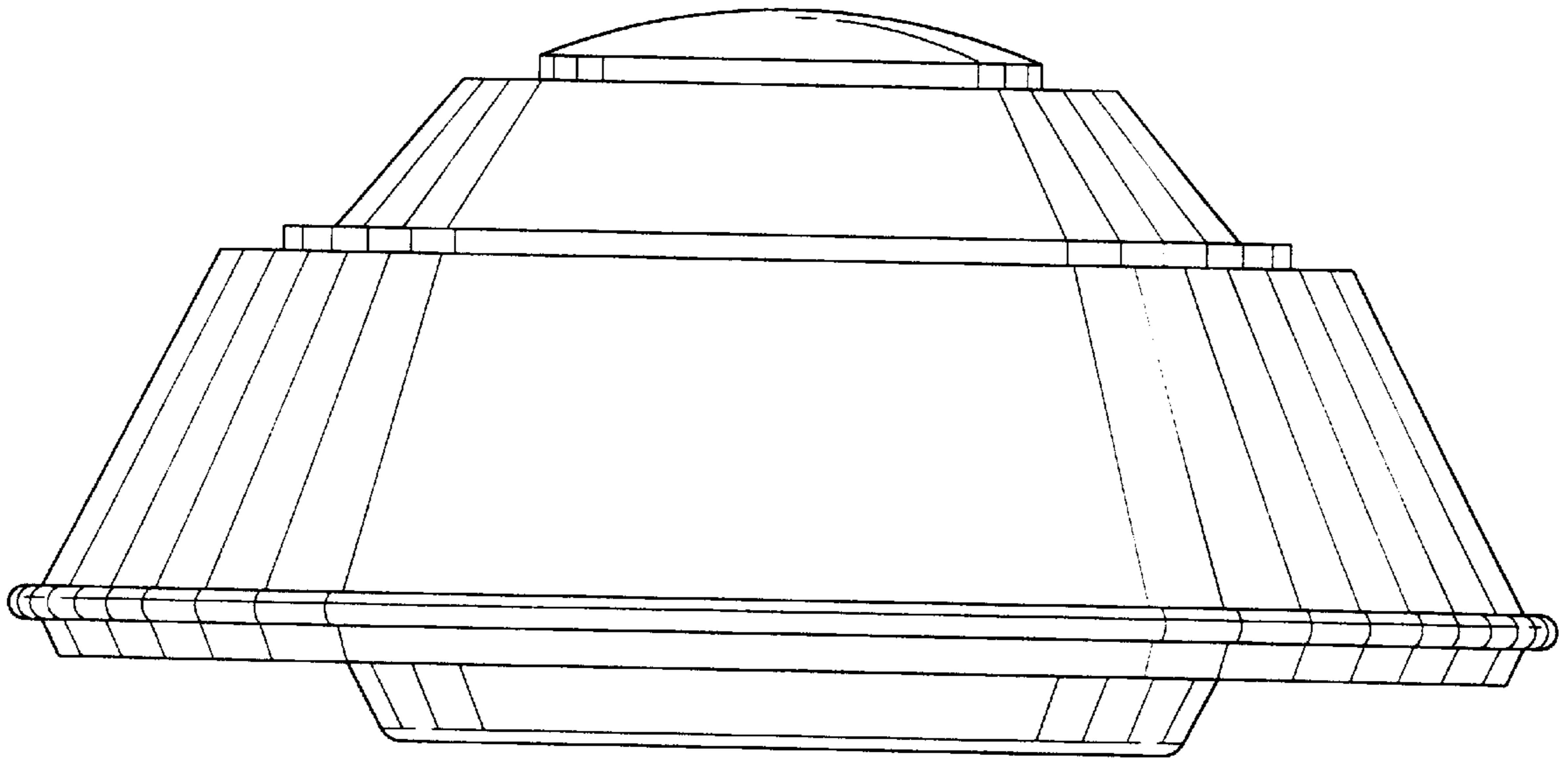


FIG. 10

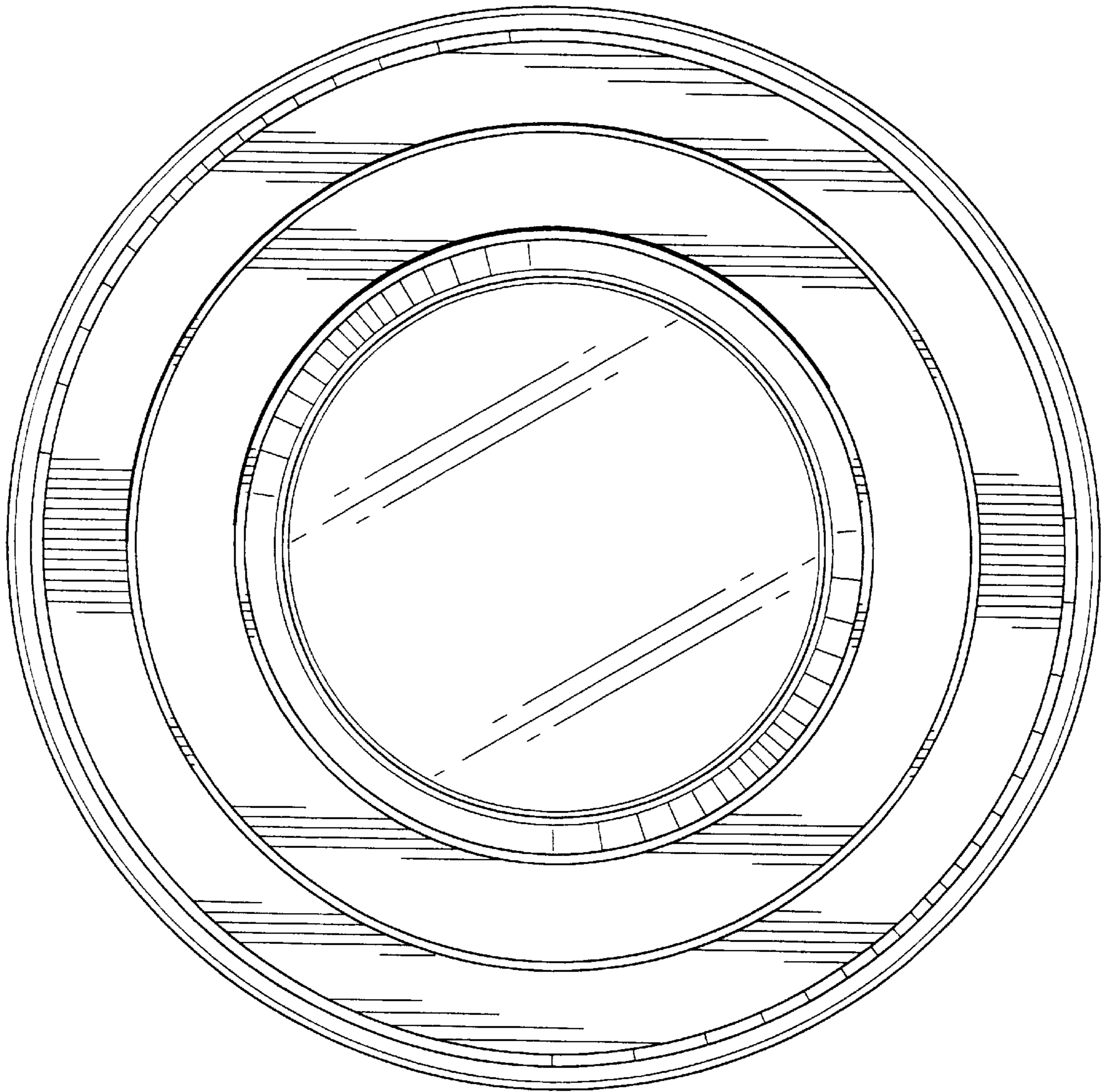


FIG. 11

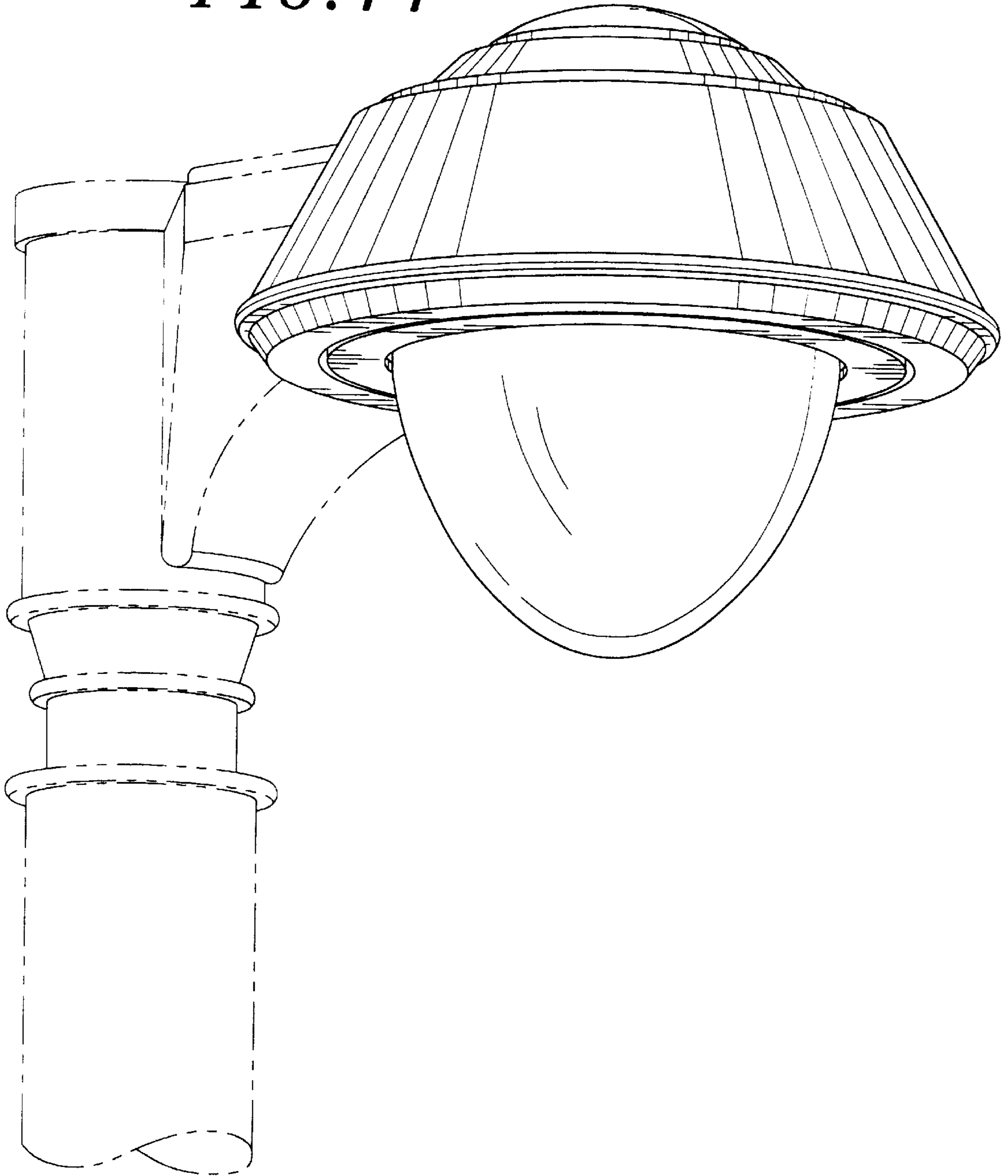


FIG. 12

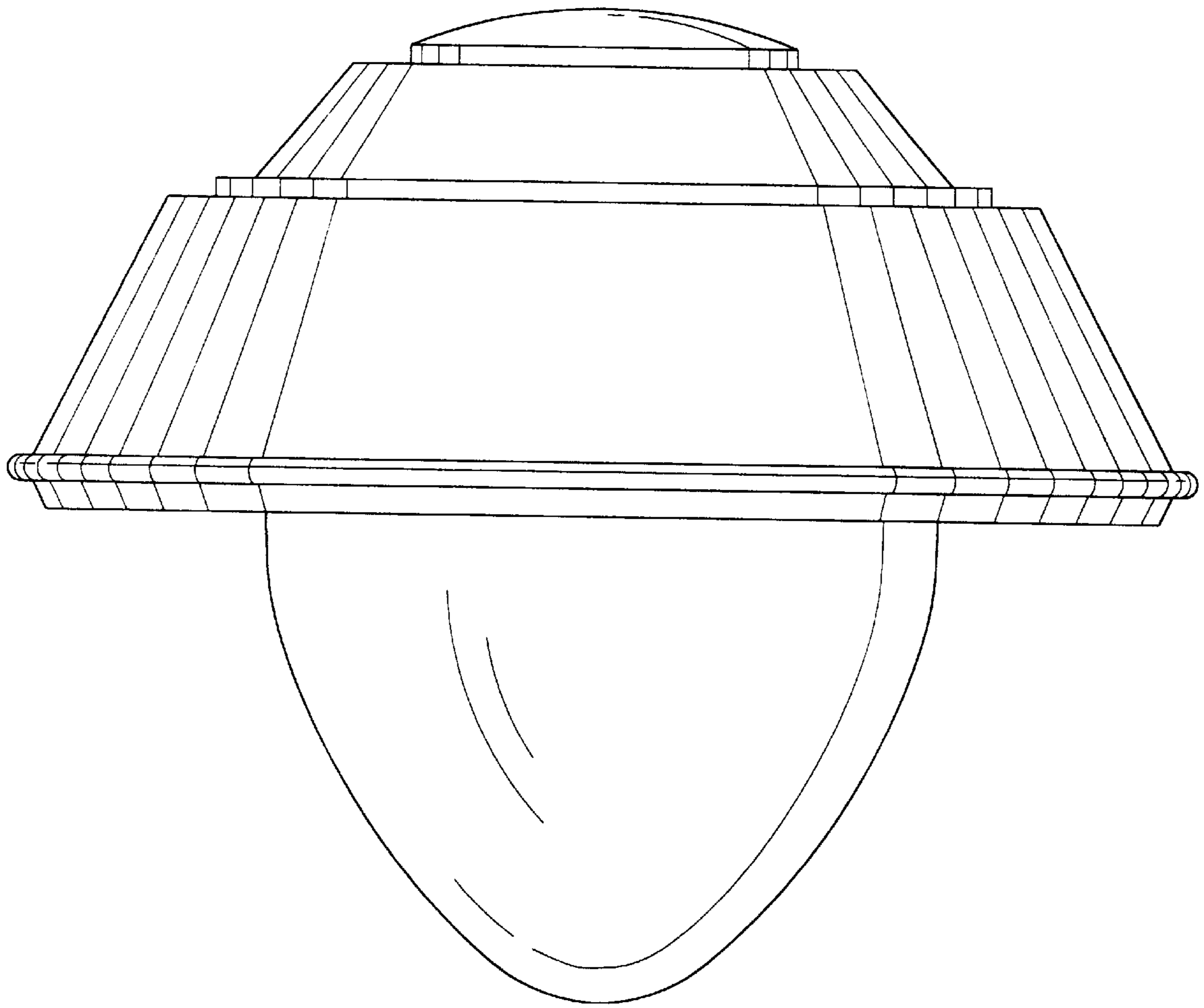


FIG. 13

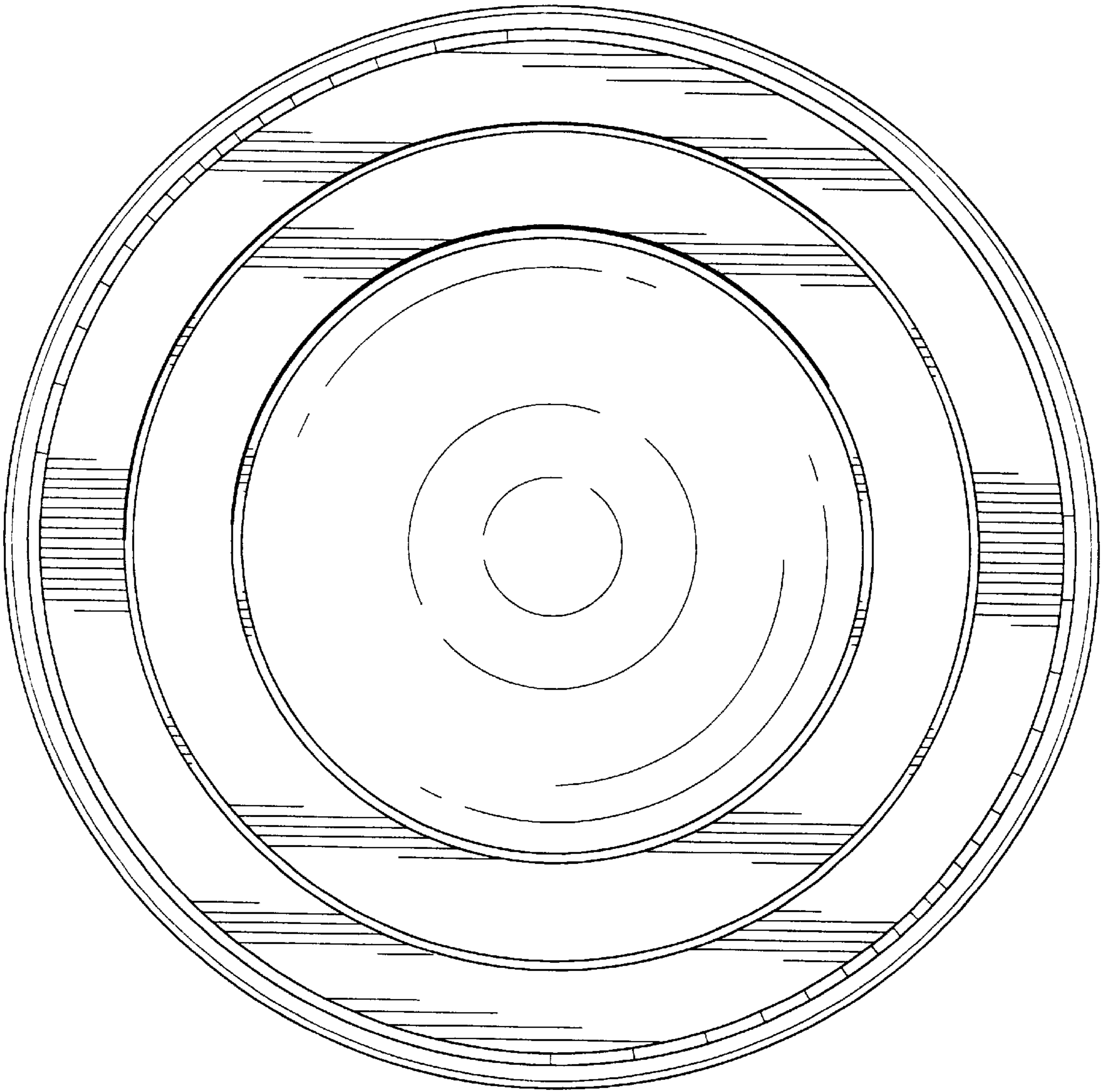


FIG. 14

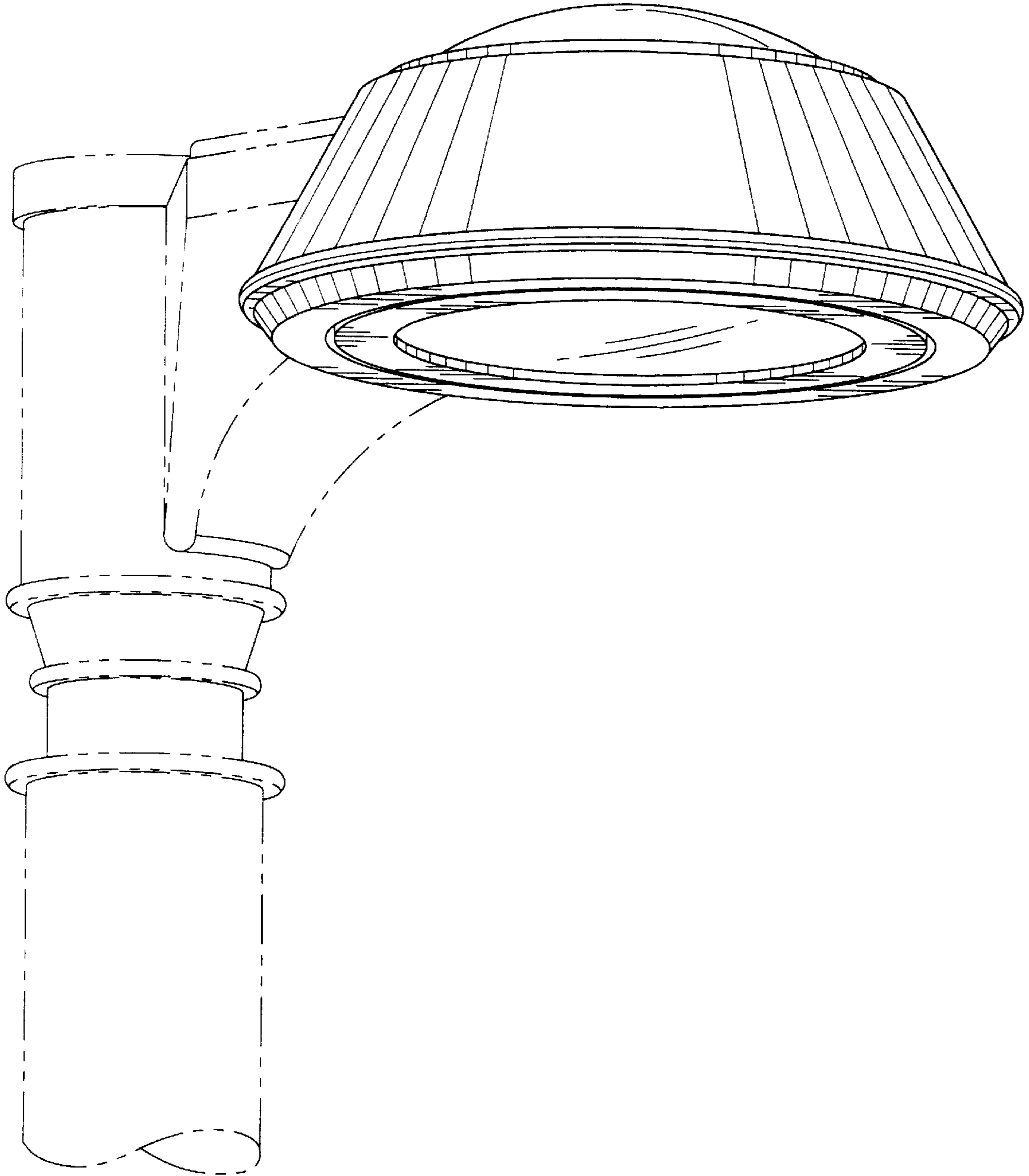


FIG. 15

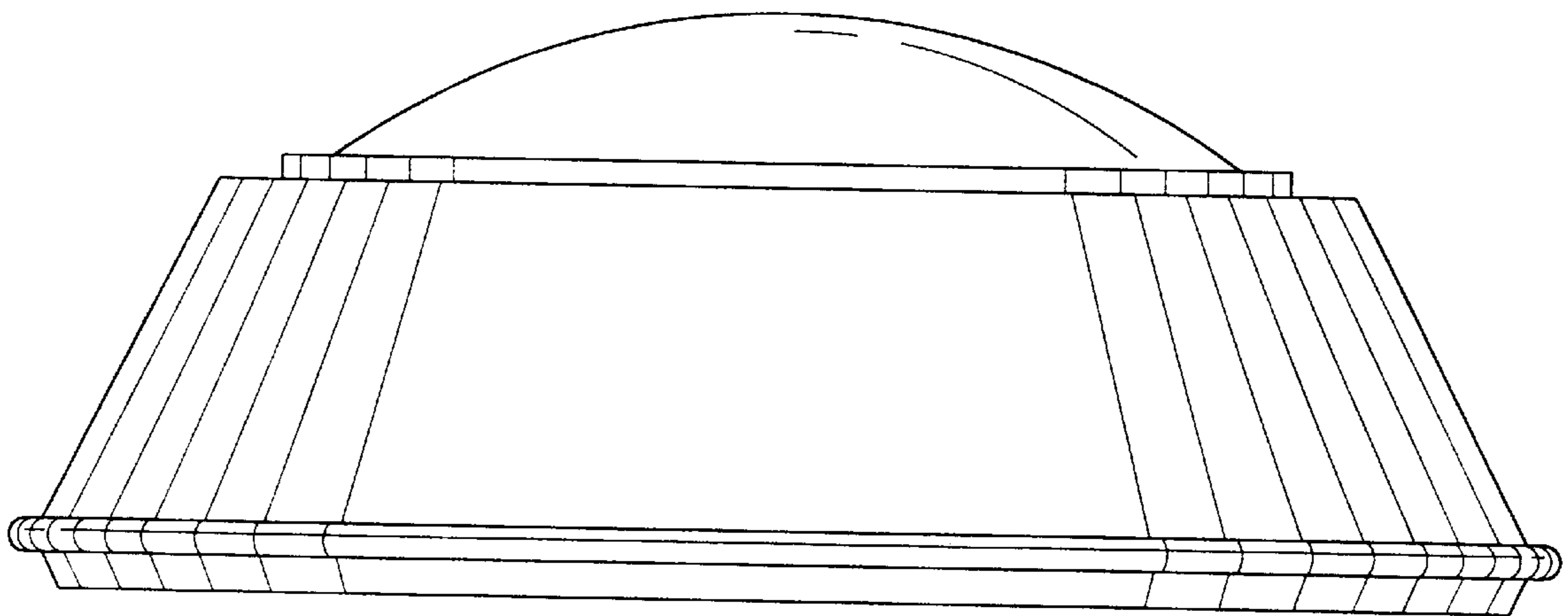


FIG. 16

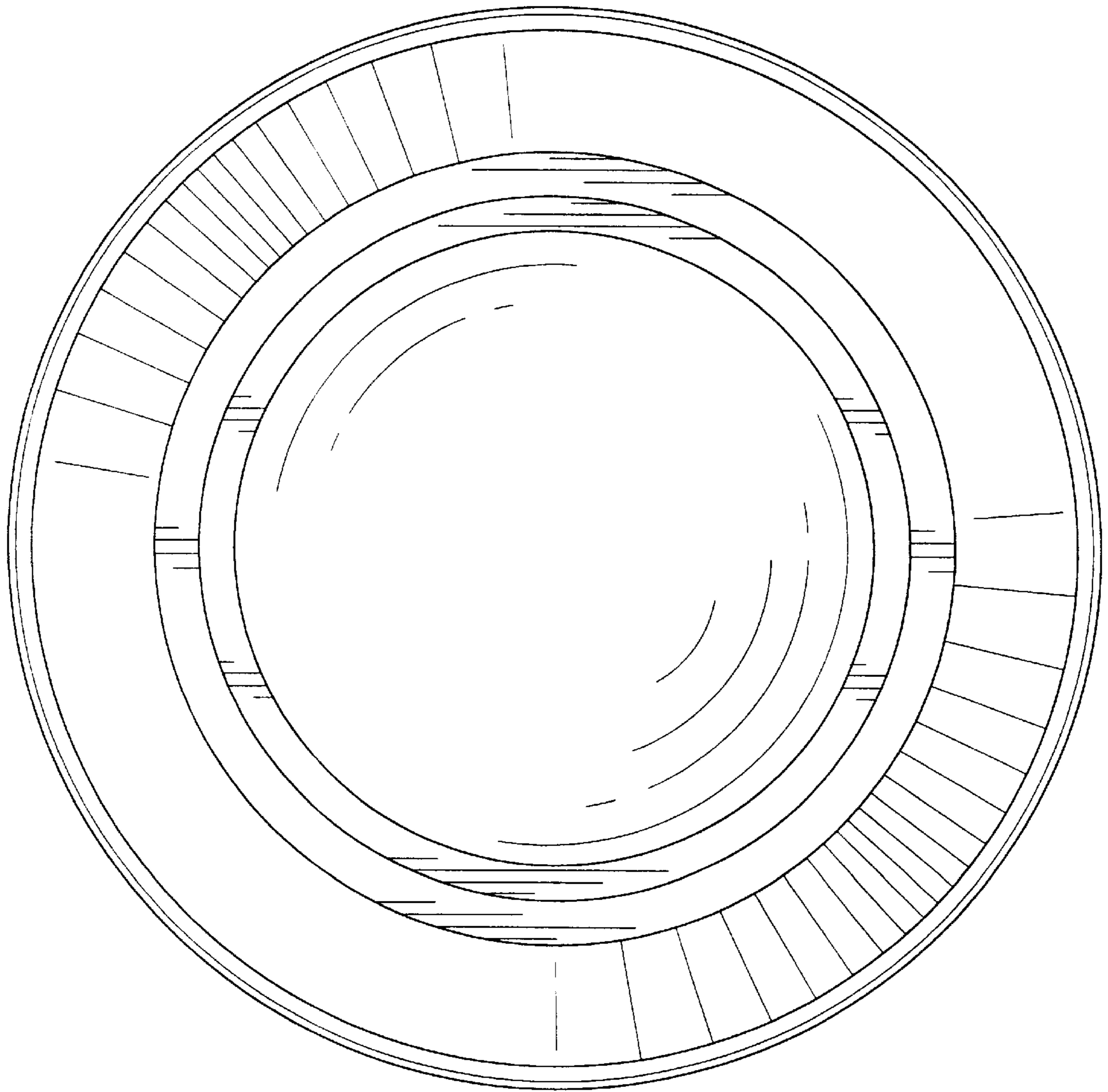


FIG. 17

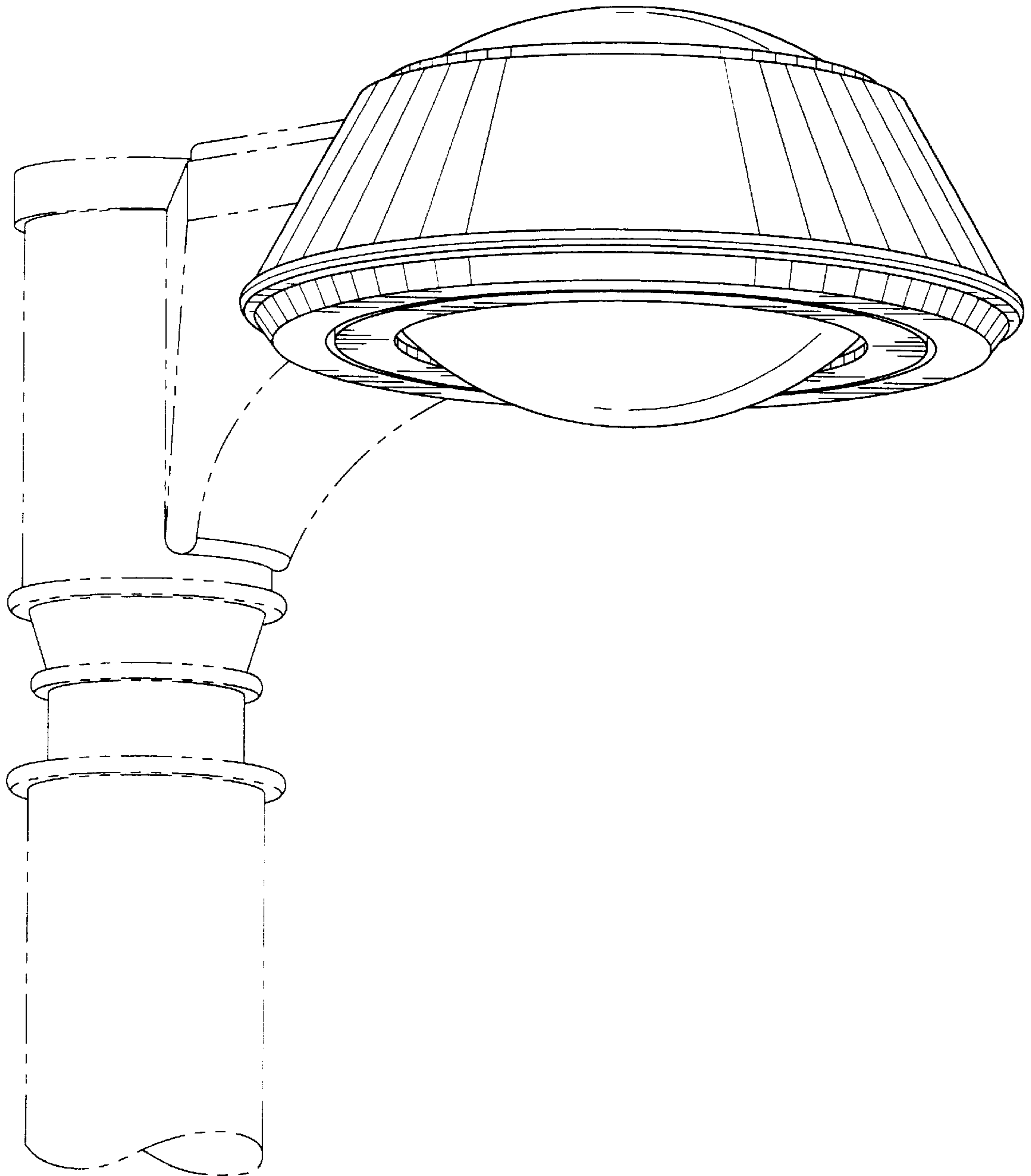


FIG. 18

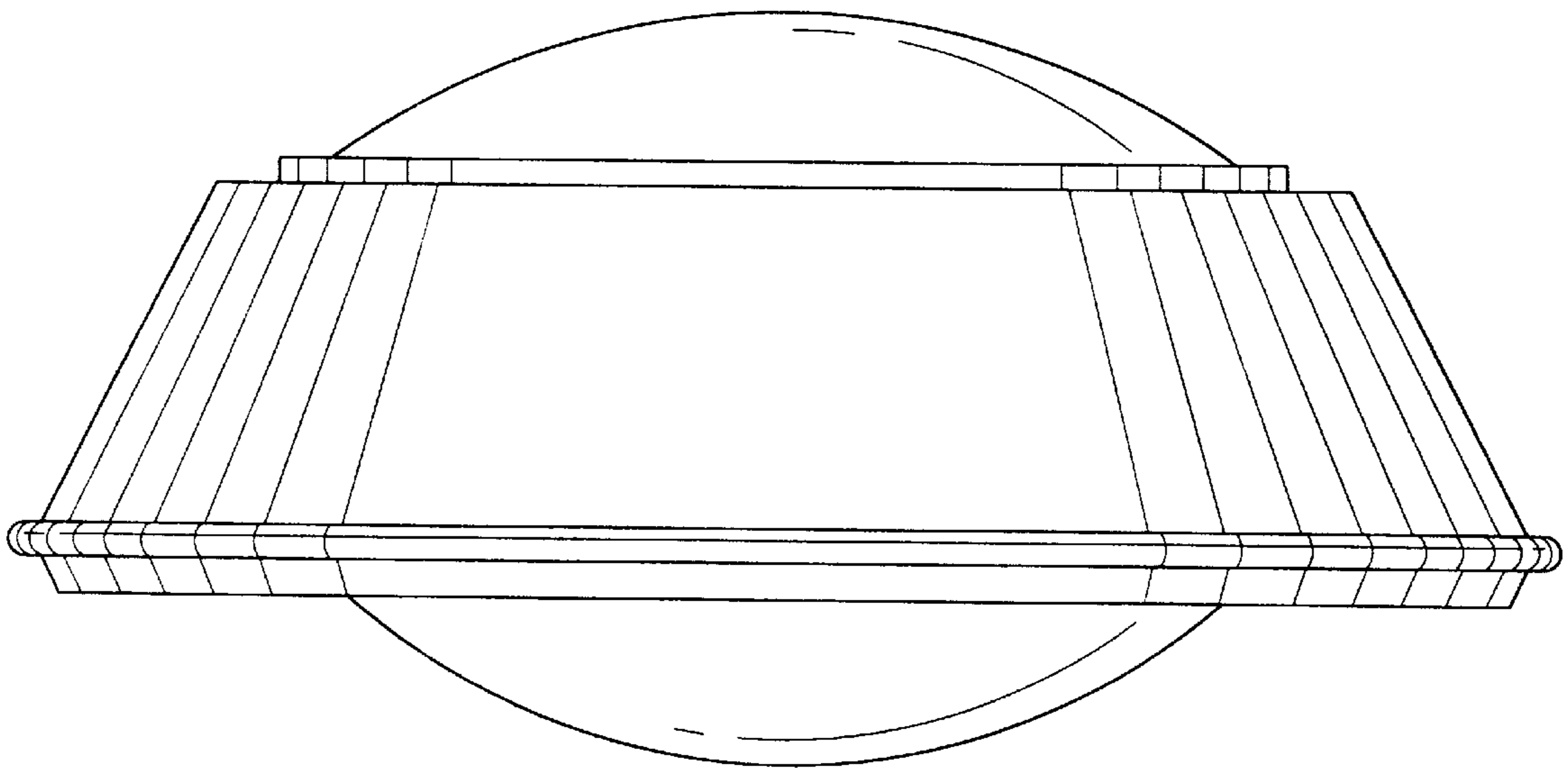


FIG. 19

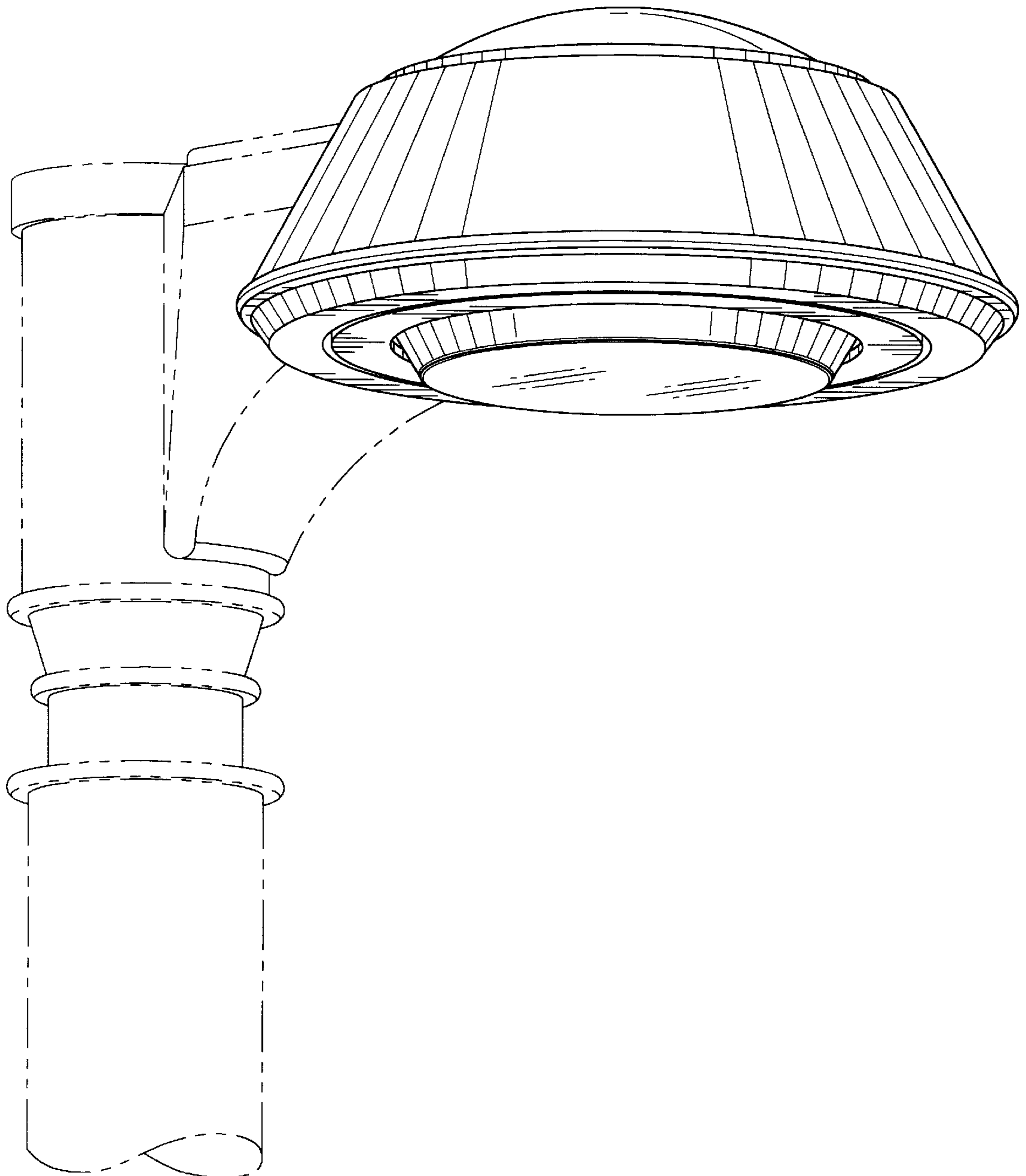


FIG. 20

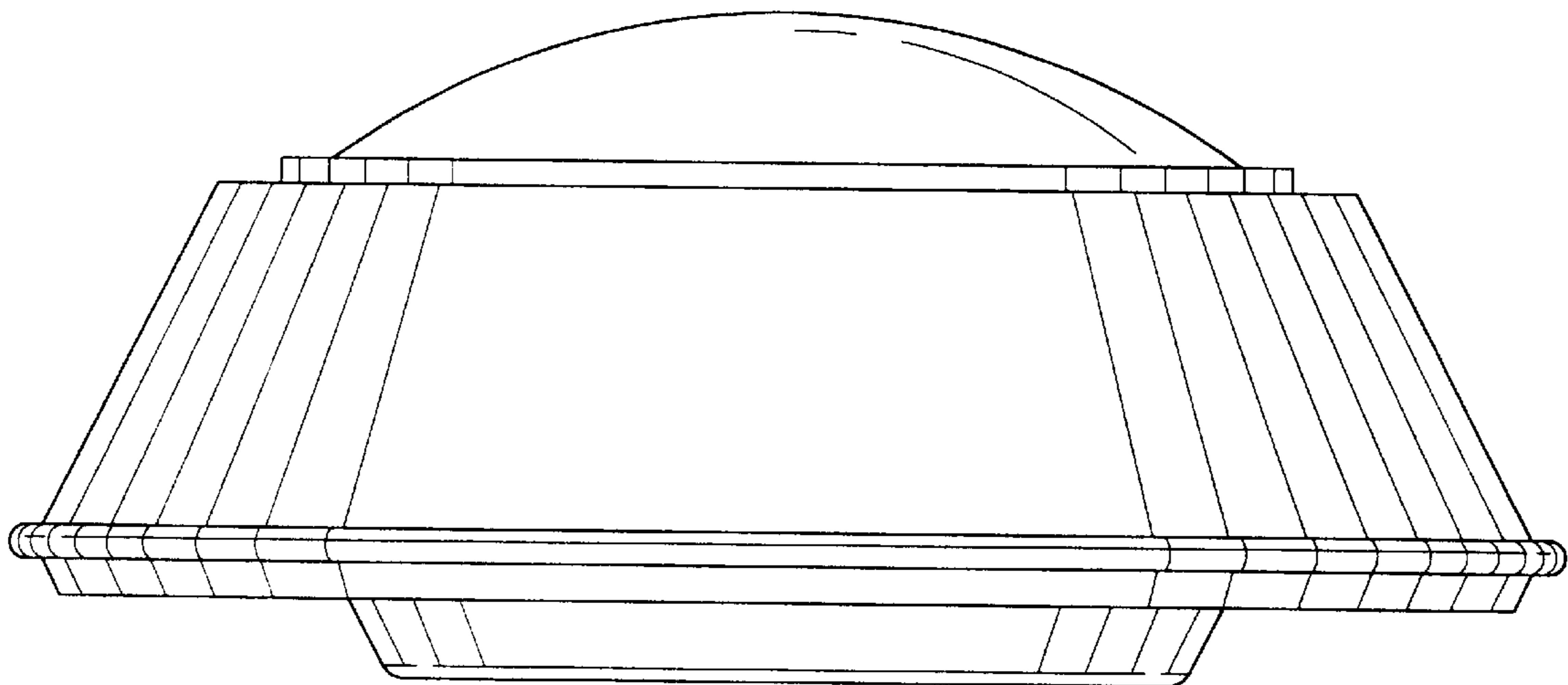


FIG. 21

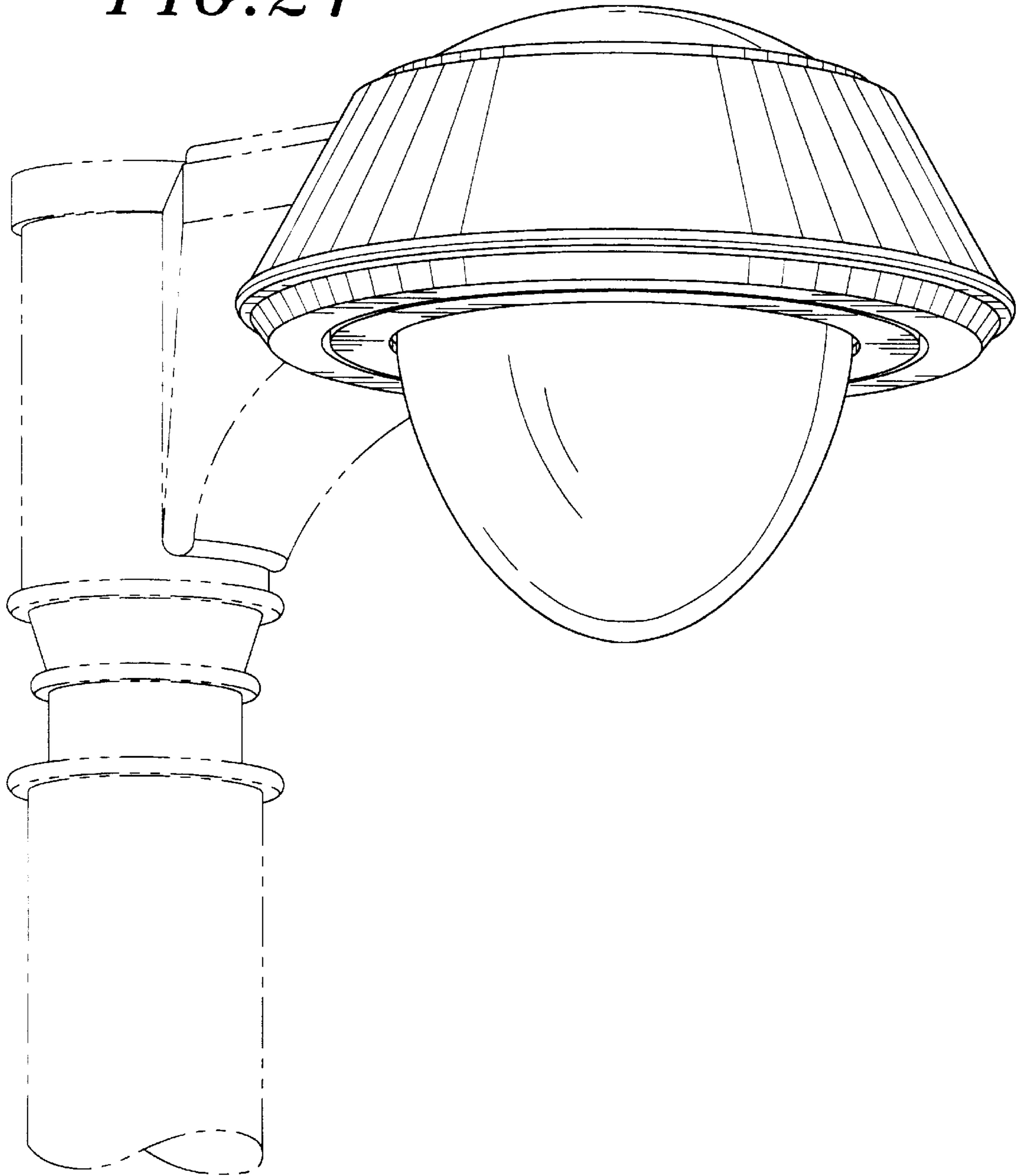


FIG. 22

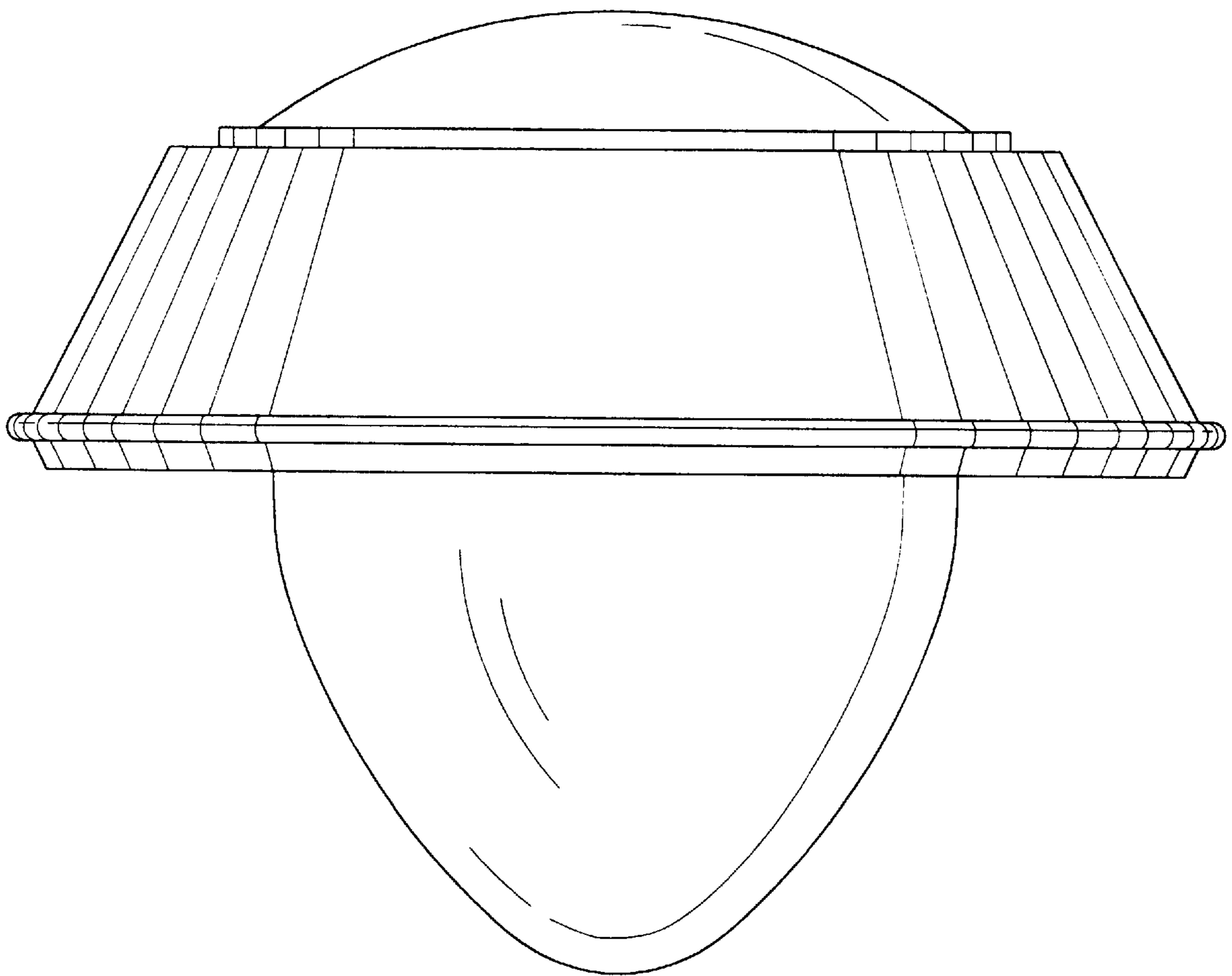


FIG. 23

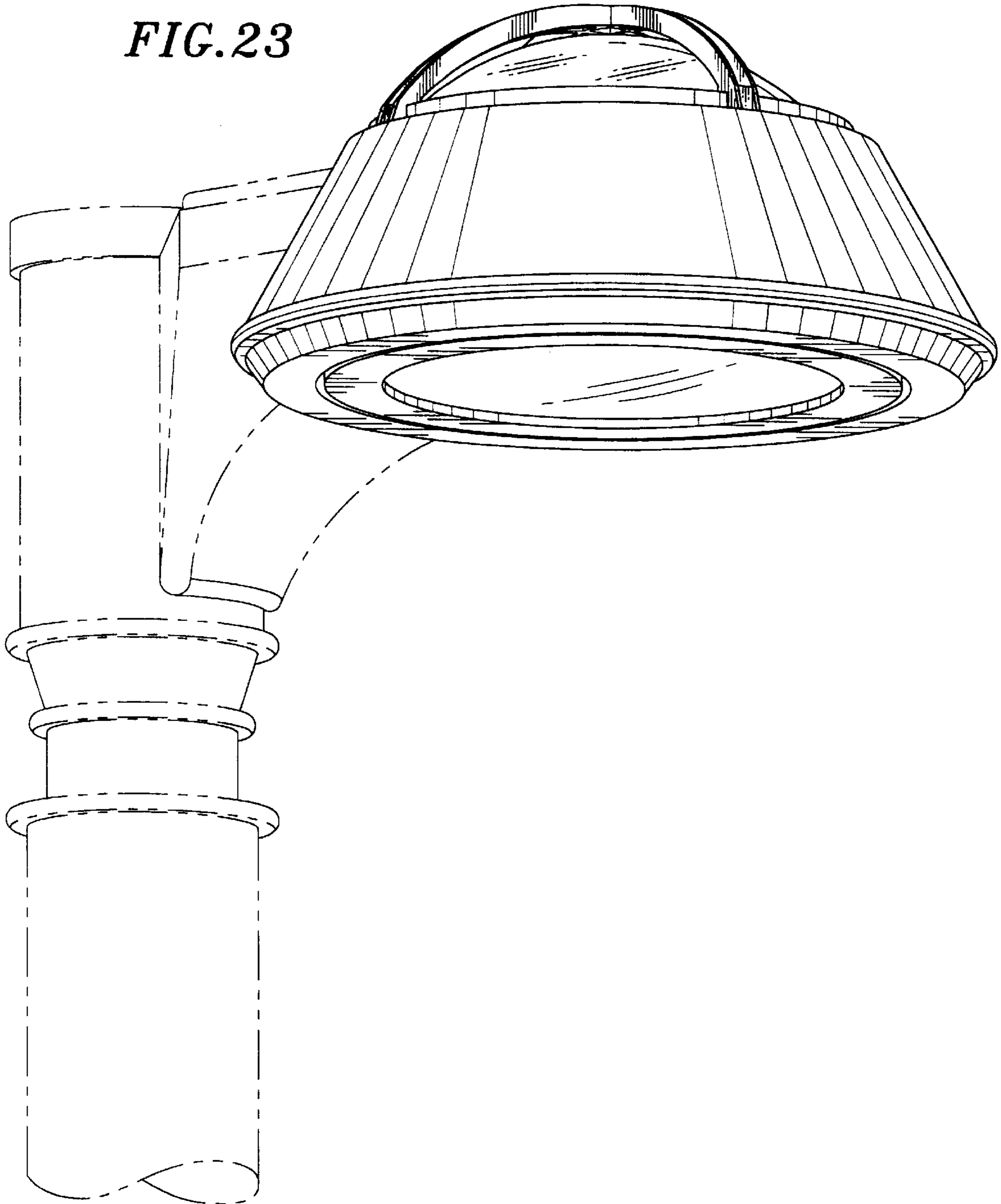


FIG. 24

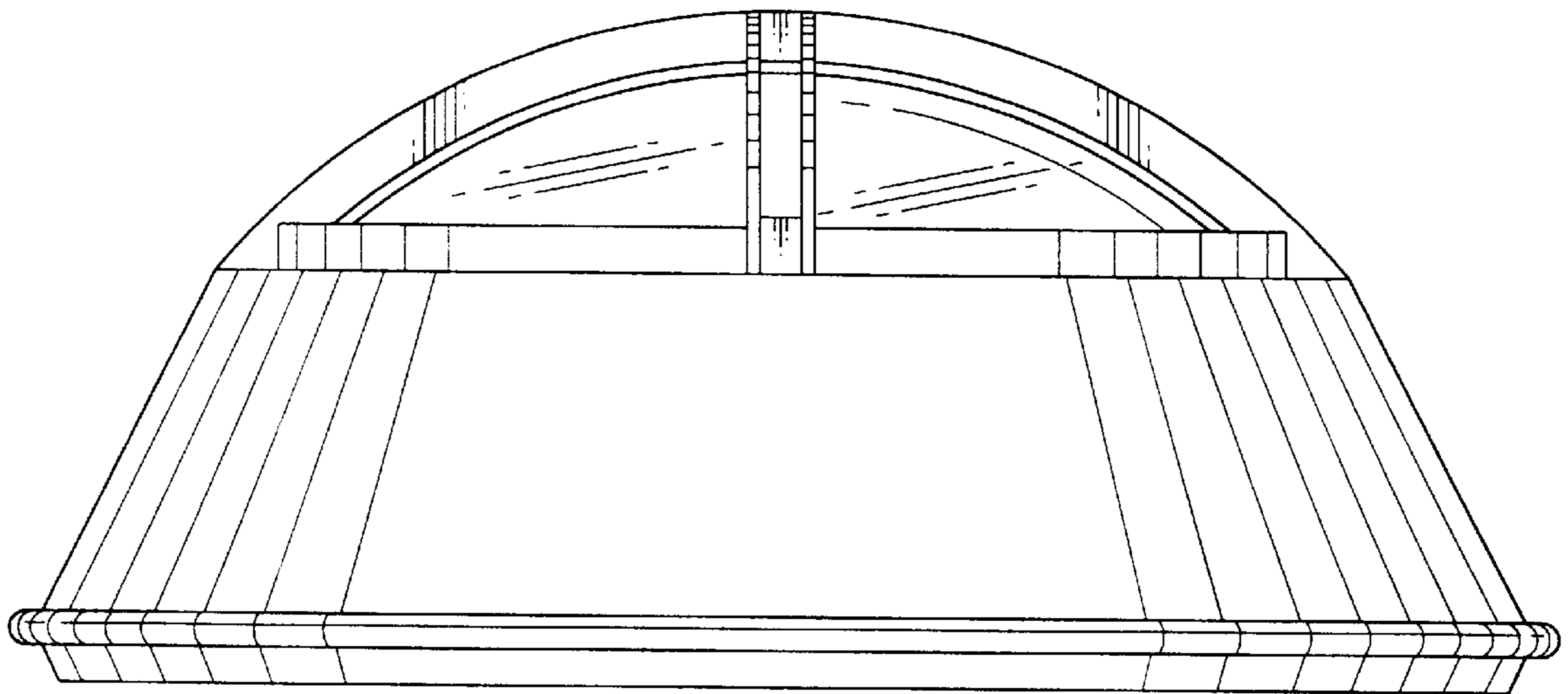


FIG. 25

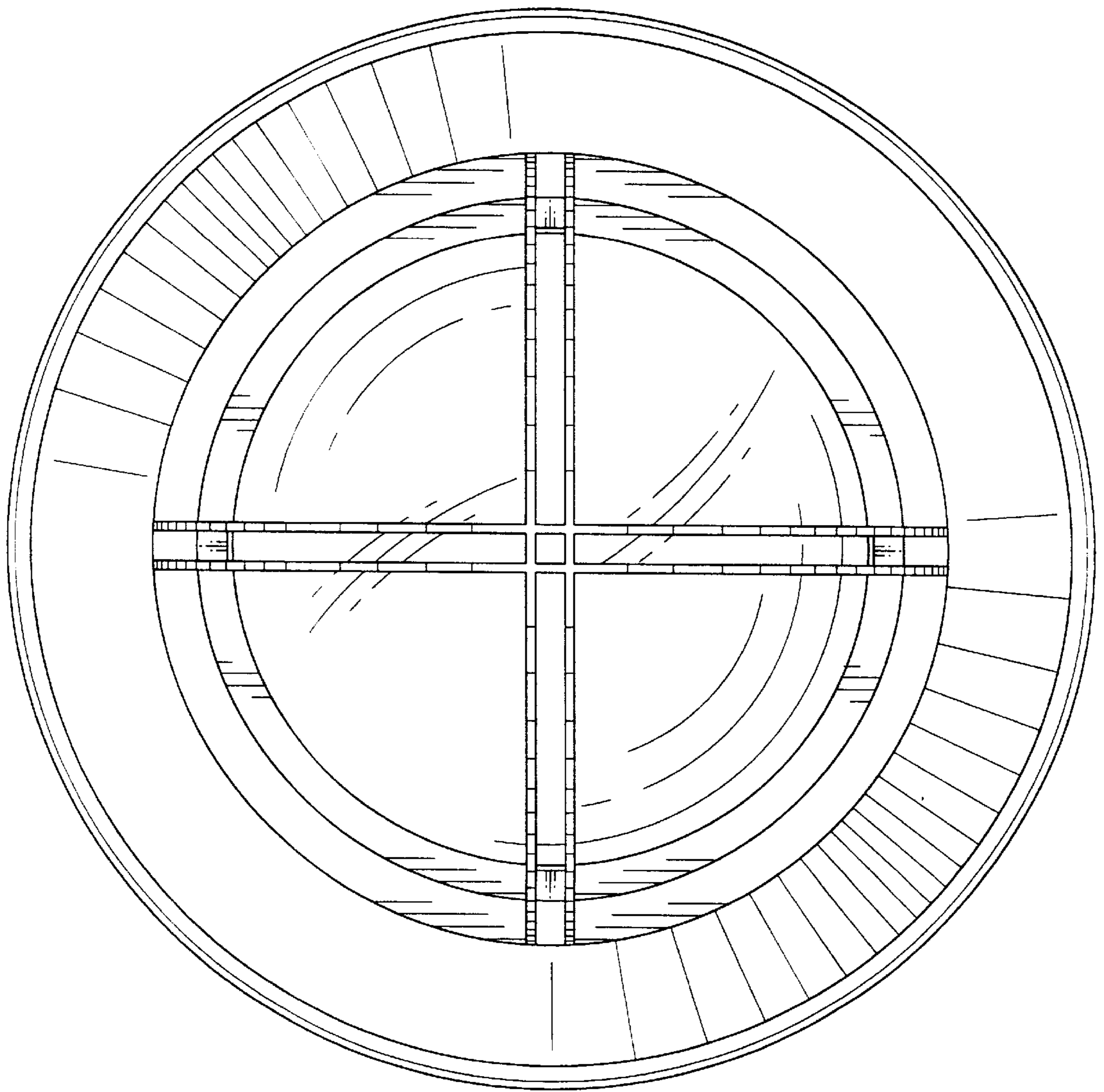


FIG. 26

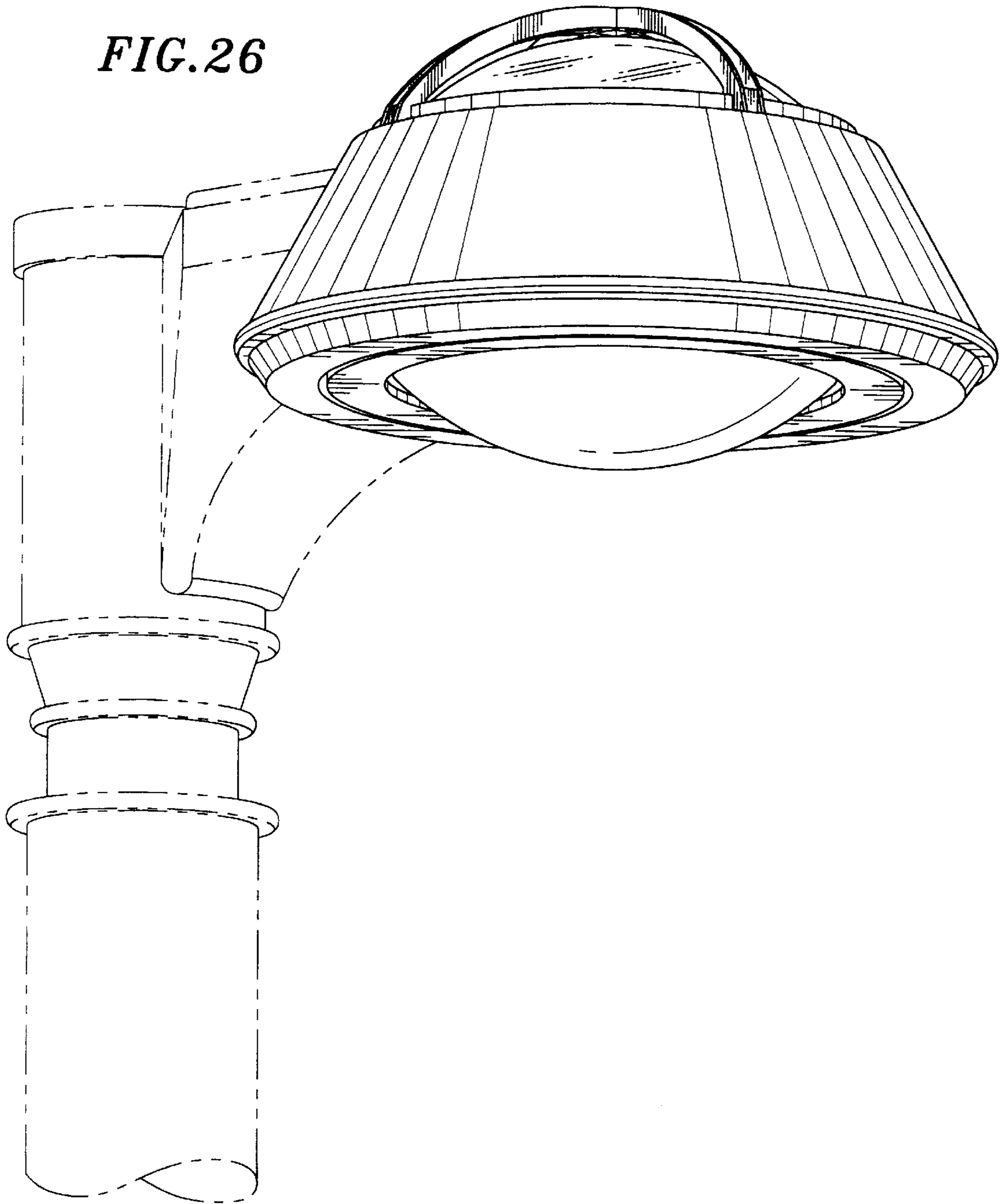


FIG. 27

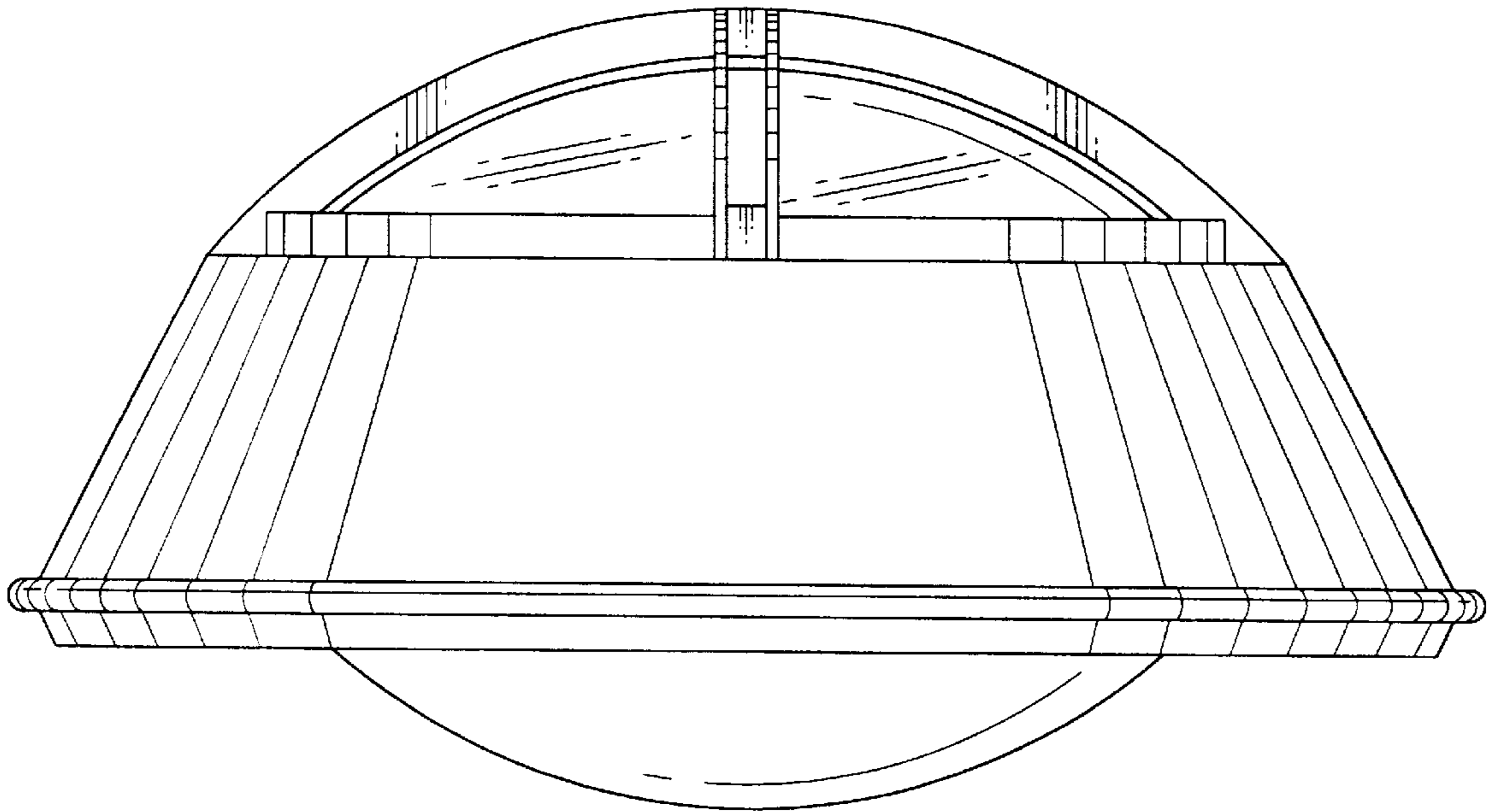


FIG. 28

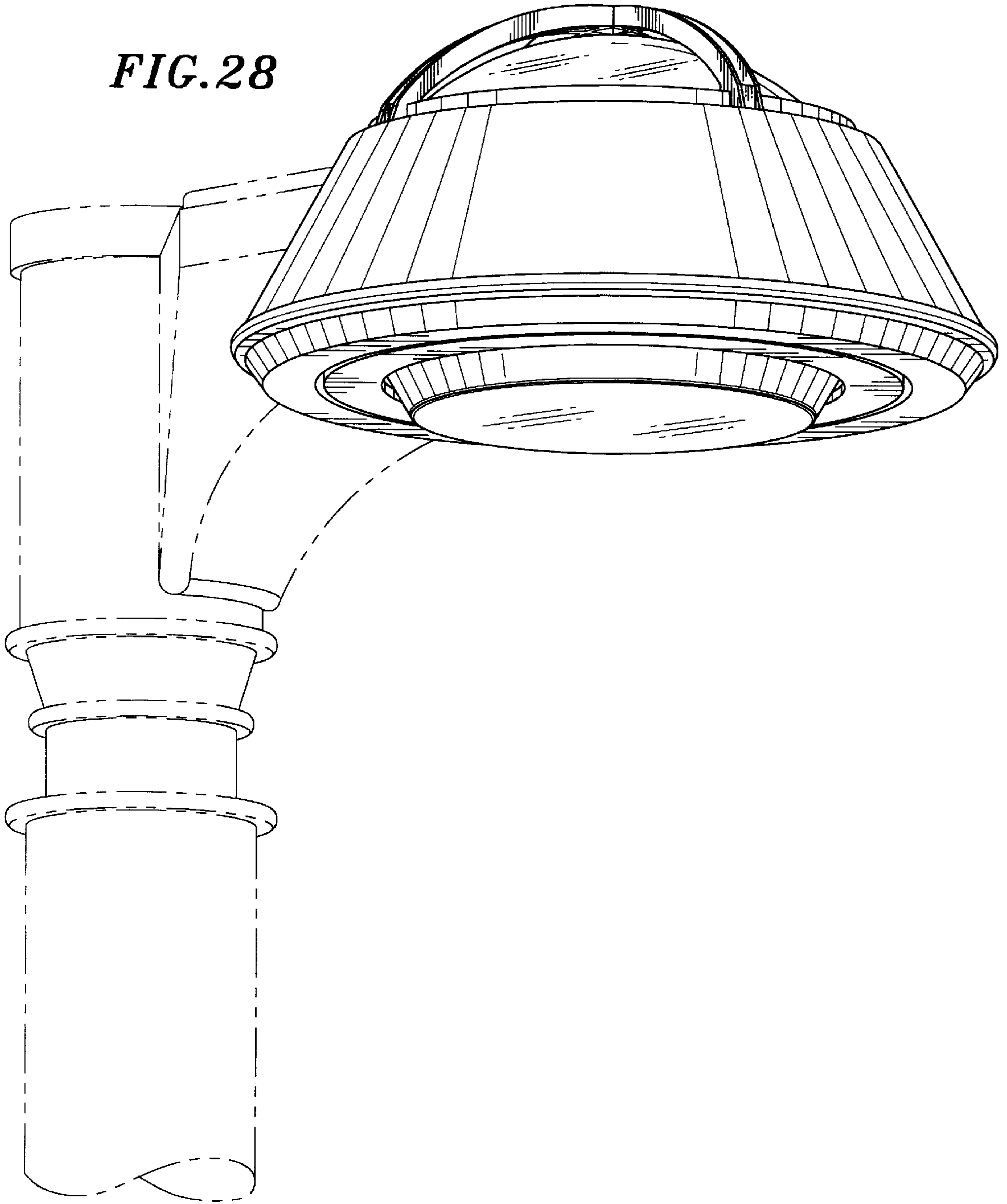


FIG. 29

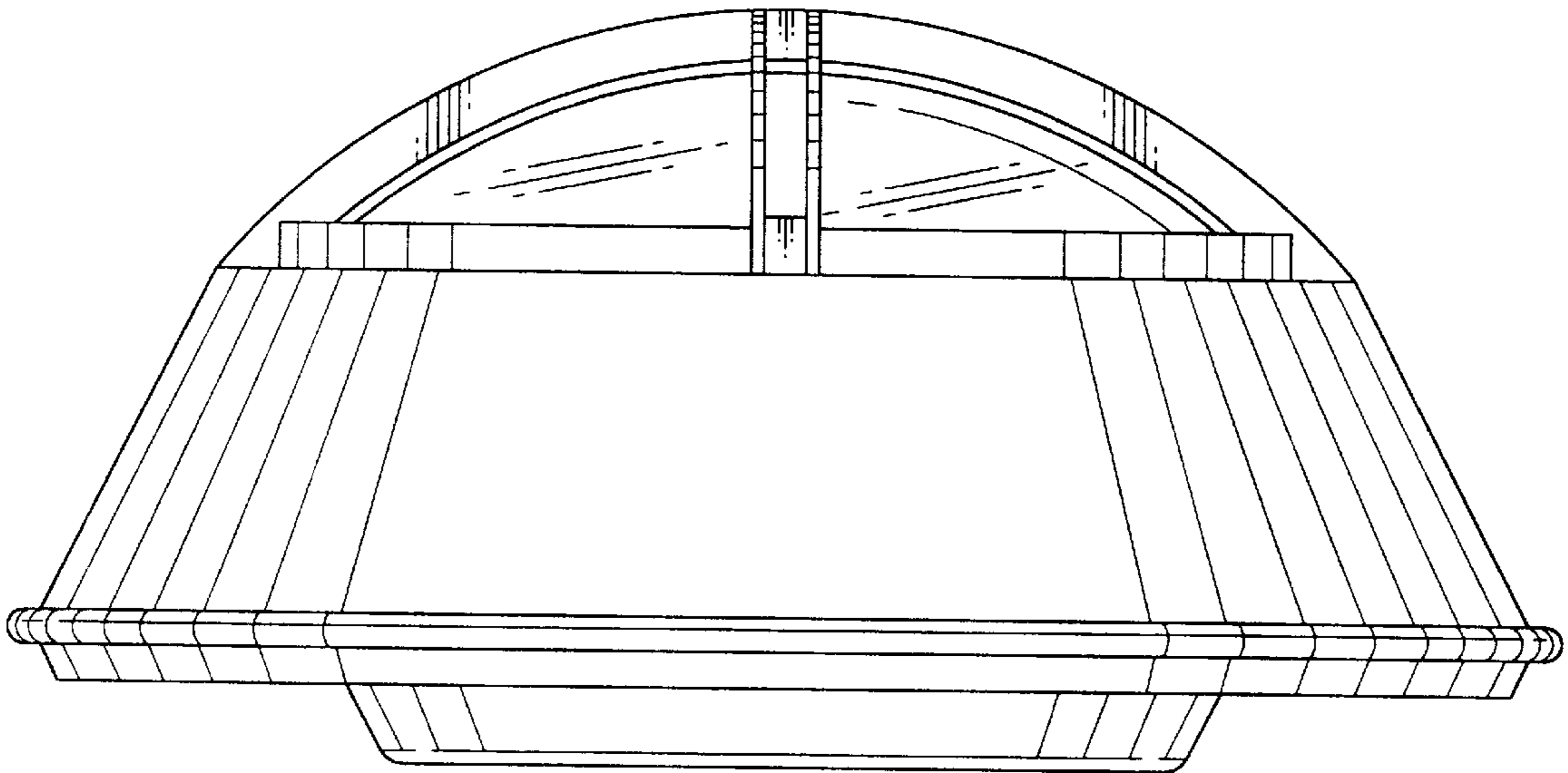


FIG. 30

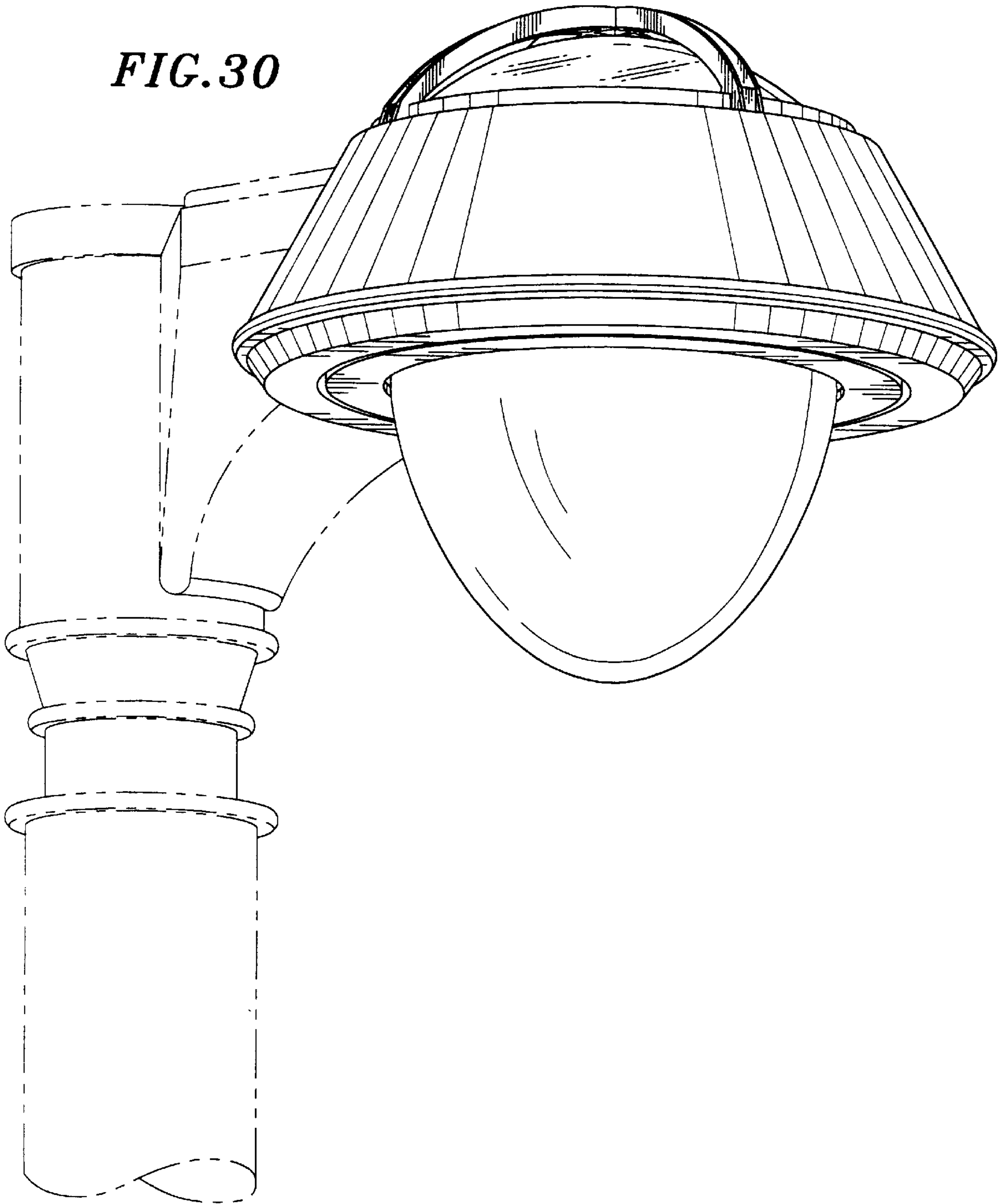


FIG. 31

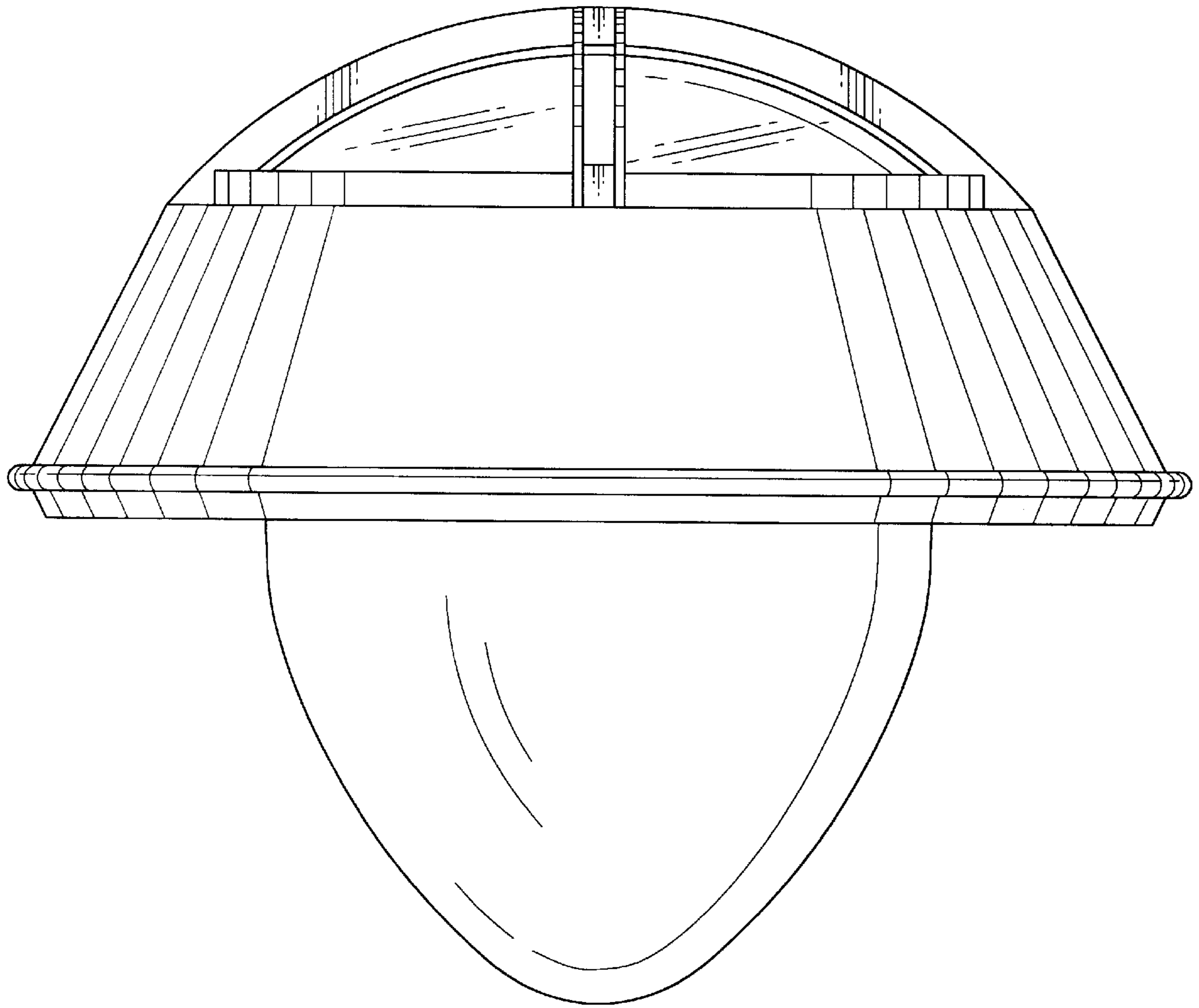


FIG. 32

