



US00D428179S

United States Patent [19] Huang

[11] **Patent Number: Des. 428,179**

[45] **Date of Patent: ** Jul. 11, 2000**

[54] **DESK LAMP**

[76] Inventor: **Huo-Tu Huang**, No.9, Lane379, Chung-Hwa, Rd., Su-Lin, Taipei, Taiwan

[**] Term: **14 Years**

[21] Appl. No.: **29/114,599**

[22] Filed: **Nov. 30, 1999**

[51] **LOC (7) Cl.** **26-05**

[52] **U.S. Cl.** **D26/65**

[58] **Field of Search** D26/60-66; 362/413, 362/418, 419, 427, 269, 271, 274, 275, 277, 282, 283, 285, 287, 396, 401

[56] **References Cited**

U.S. PATENT DOCUMENTS

- D. 287,412 12/1986 Fung D26/60
- D. 397,468 8/1998 Zeller D26/60

OTHER PUBLICATIONS

Hong Kong Enterprise catalog, Oct. 1997, p. 584, book light.

Primary Examiner—Susan J. Lucas
Attorney, Agent, or Firm—Bacon & Thomas, PLLC

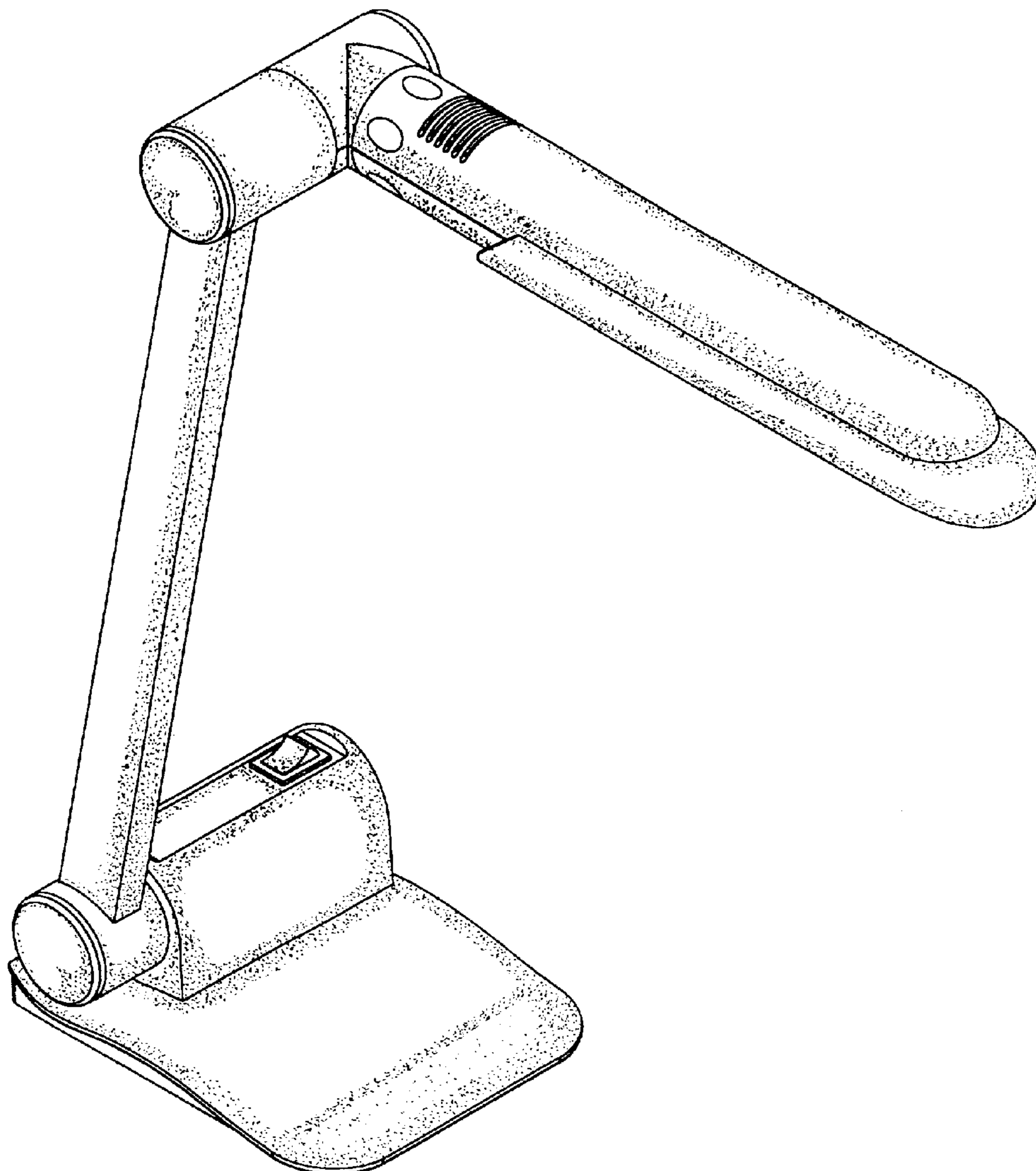
[57] **CLAIM**

The ornamental design for desk lamp, as shown and described.

DESCRIPTION

FIG. 1 is a top, front right side perspective view thereof; FIG. 2 is a front elevational view thereof; FIG. 3 is a rear elevational view thereof; FIG. 4 is a left elevational view thereof; FIG. 5 is a right elevational view thereof; FIG. 6 is a top plan view thereof; and, FIG. 7 is a bottom plan view thereof.

1 Claim, 7 Drawing Sheets



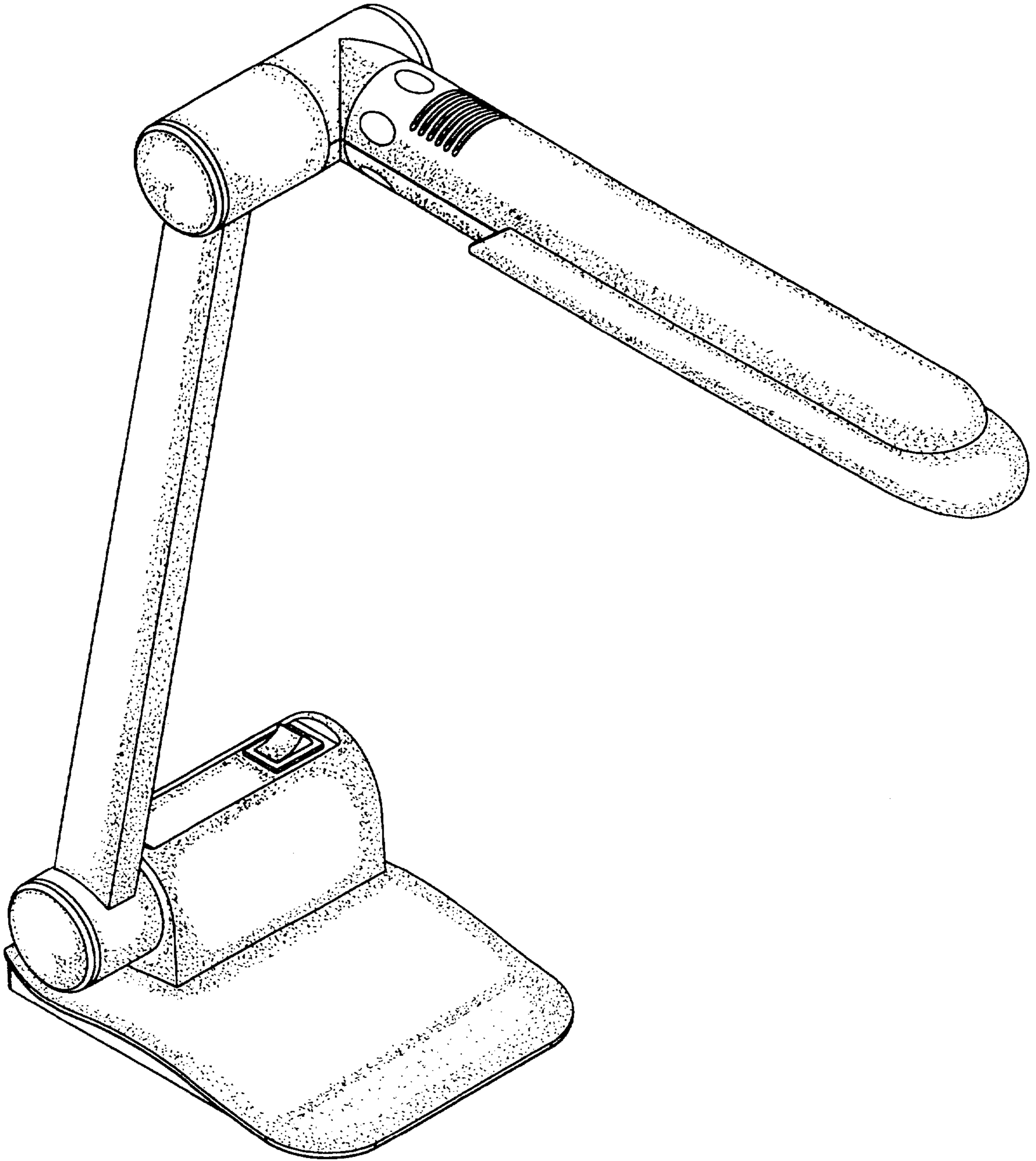


FIG. 1

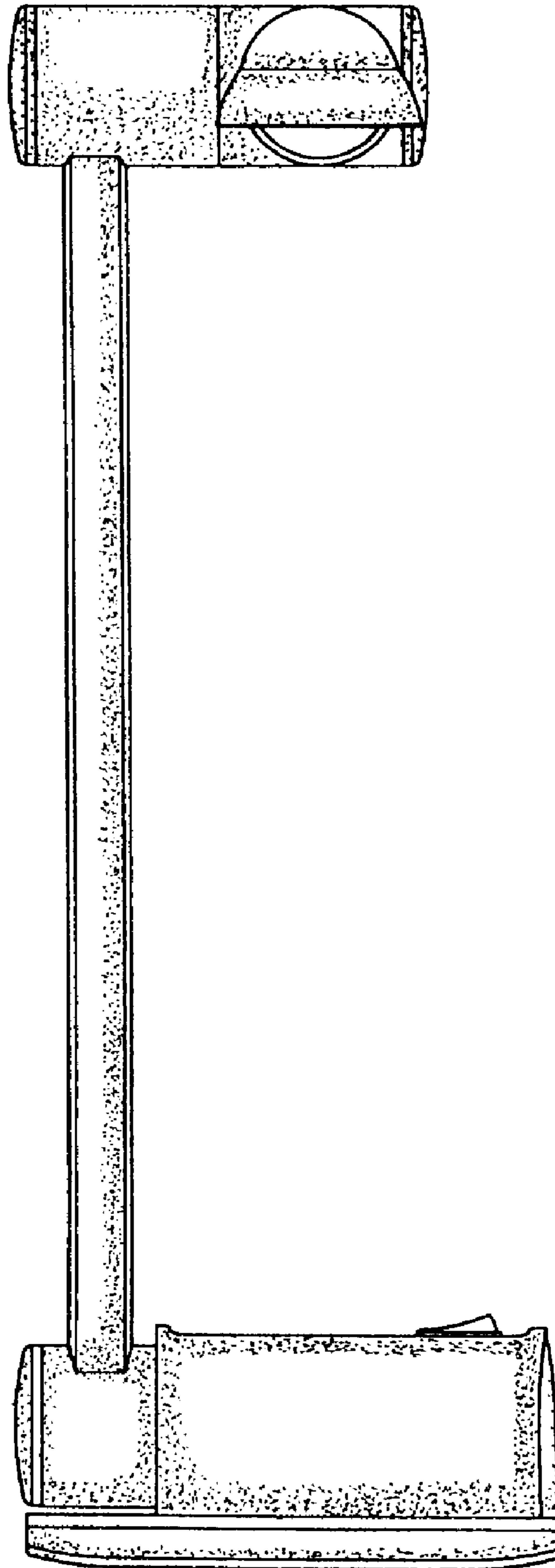


FIG. 2

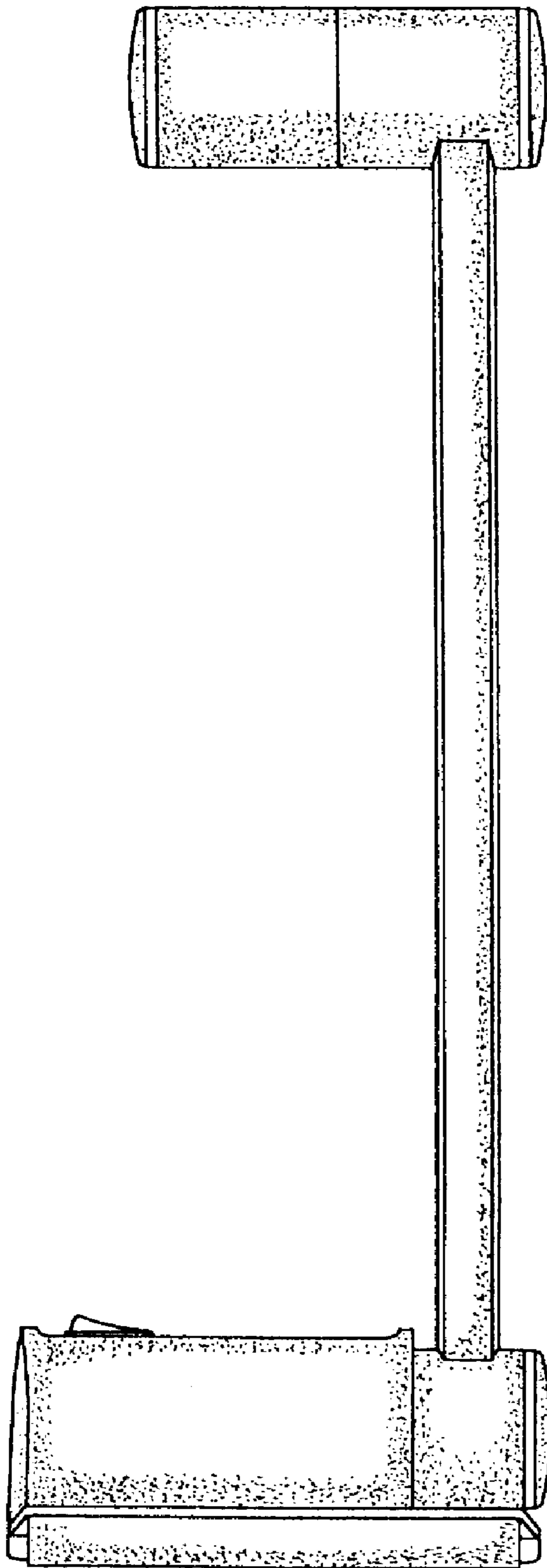


FIG. 3

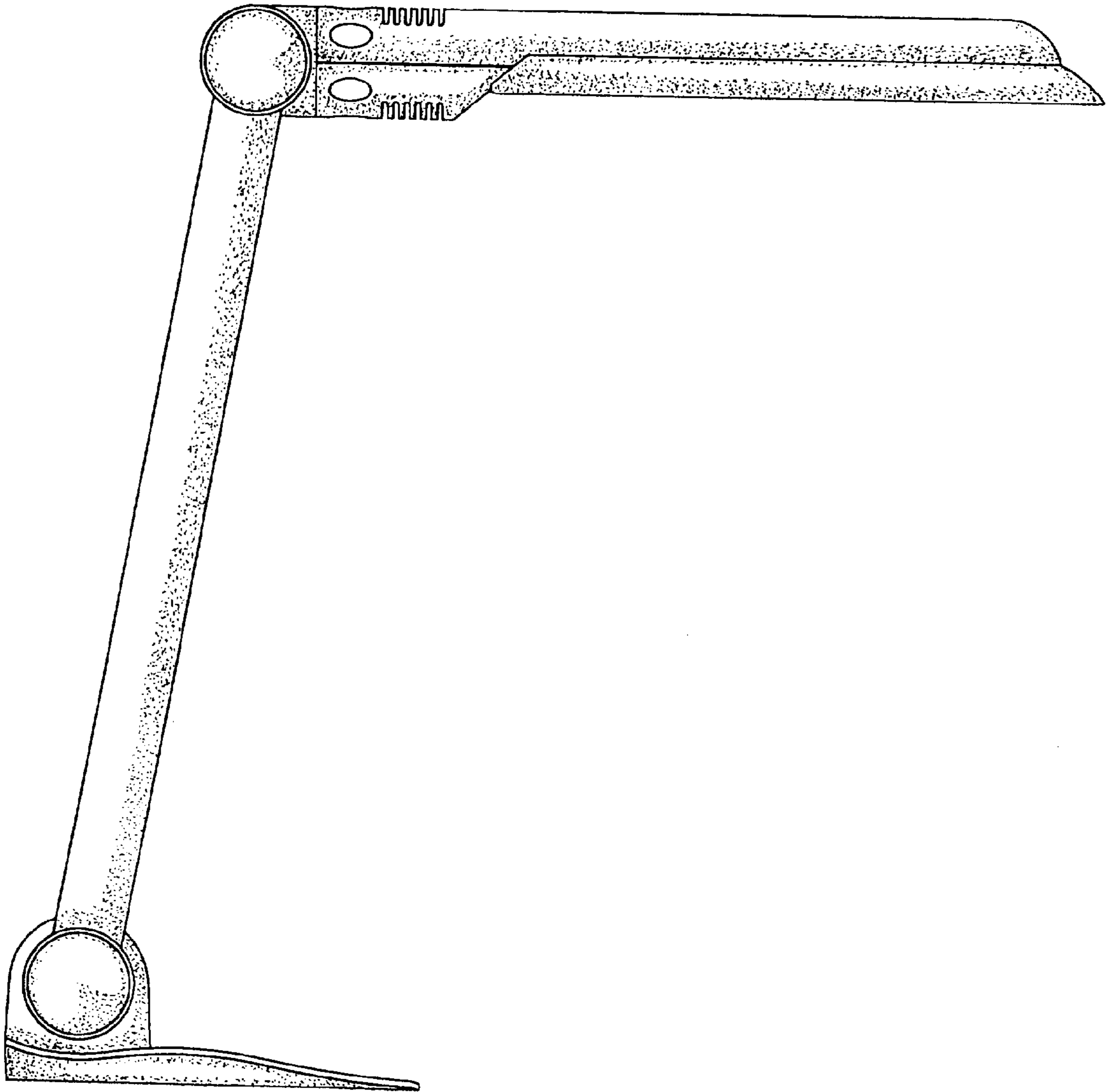


FIG. 4

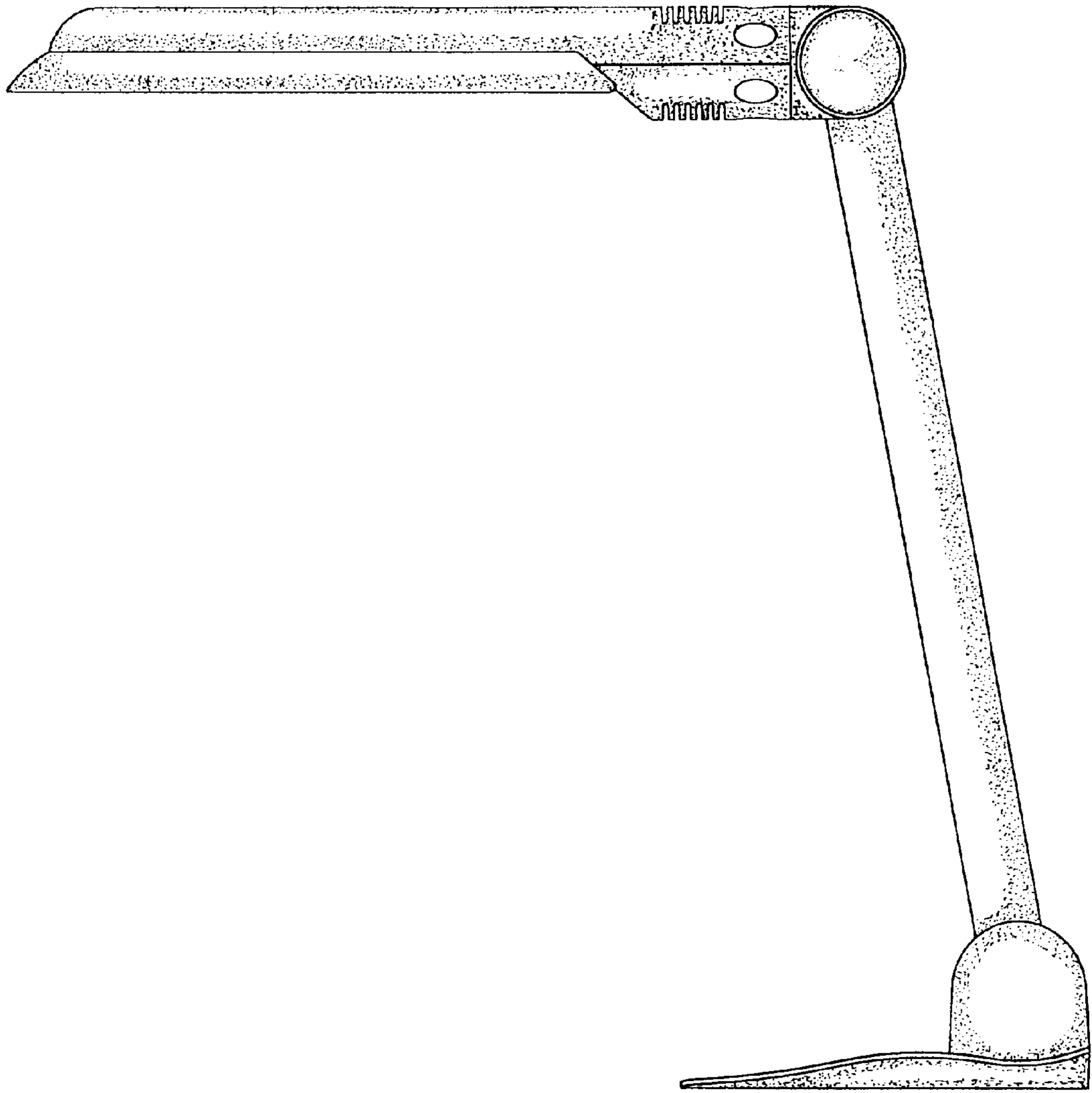


FIG. 5

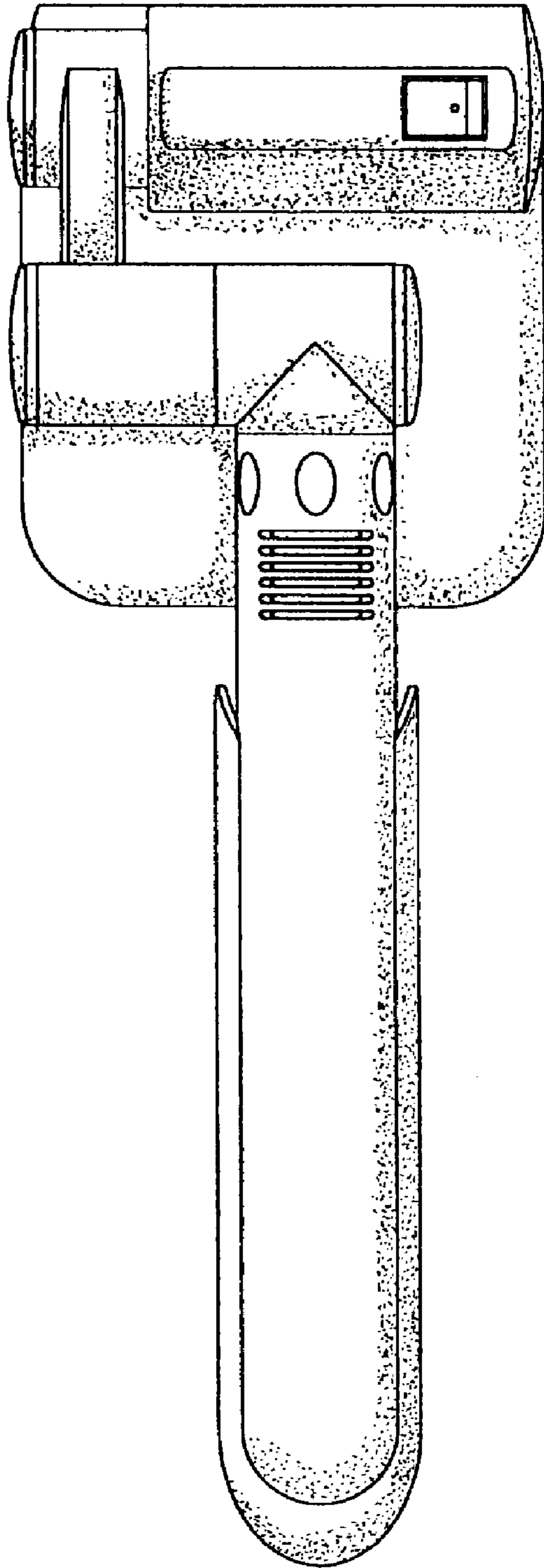


FIG. 6

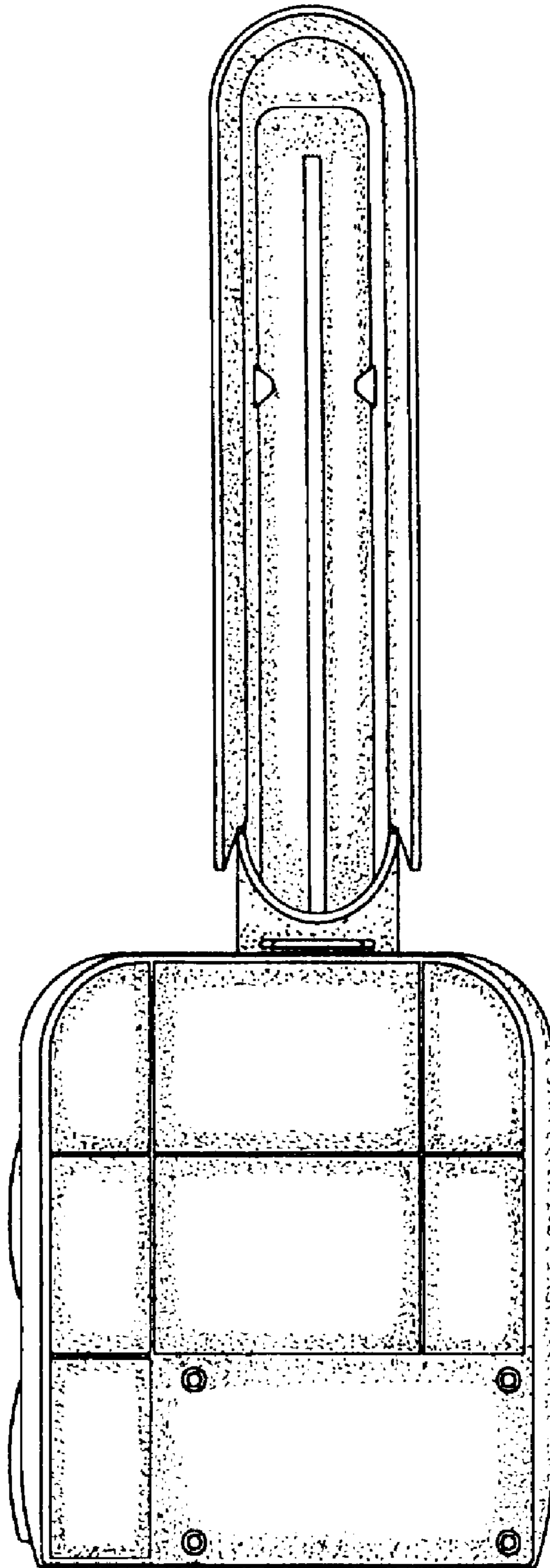


FIG. 7