



US00D428178S

United States Patent [19]
Swanson

[11] **Patent Number: Des. 428,178**
[45] **Date of Patent: ** Jul. 11, 2000**

[54] **DESK LAMP HAVING ADJUSTABLE TASK LIGHTS AND GENERAL AREA LIGHTING**

D. 370,549 6/1996 Huang D26/62
D. 381,104 7/1997 Linstone D26/62
5,632,553 5/1997 Huang 362/410

[75] Inventor: **Dennis K. Swanson**, Woodland Hills, Calif.

OTHER PUBLICATIONS

Home Lighting and Accessories, Jun. 1993, p. 70, floor lamp top, left hand side.

[73] Assignee: **Pacific Coast Lighting**, Chatsworth, Calif.

Primary Examiner—Susan J. Lucas
Attorney, Agent, or Firm—Fulbright & Jaworski L.L.P.

[**] Term: **14 Years**

[21] Appl. No.: **29/102,039**

[57] **CLAIM**

[22] Filed: **Mar. 16, 1999**

The ornamental design of a desk lamp having adjustable task lights and general area lighting, as shown and described.

[51] **LOC (7) Cl.** **26-05**

DESCRIPTION

[52] **U.S. Cl.** **D26/62**

[58] **Field of Search** D26/93, 102–112,
D26/61, 62, 63, 64, 65; 362/410–414, 269,
277, 287, 418, 419, 427

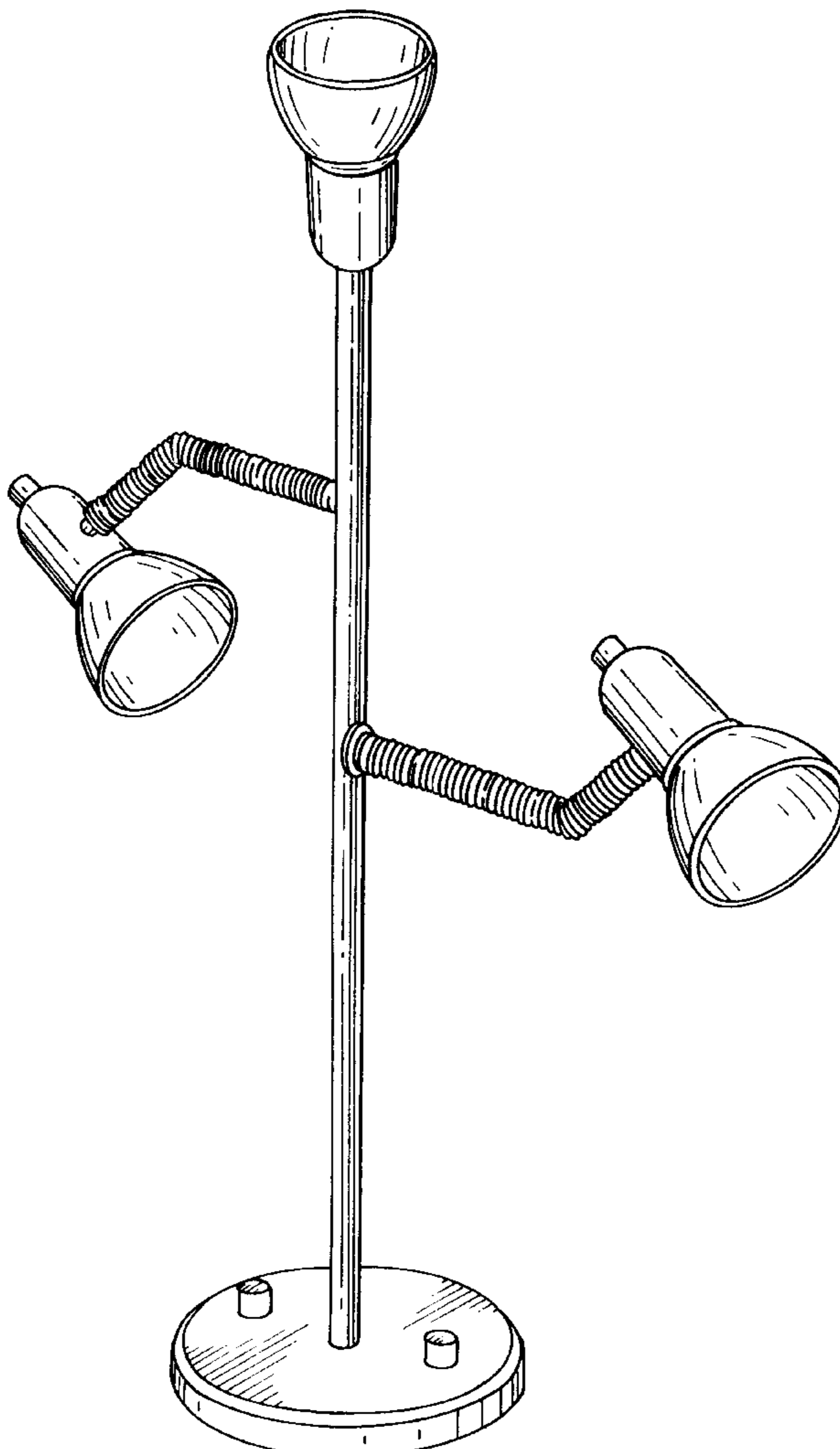
FIG. 1 is a perspective view of a desk lamp having adjustable task lights and general area lighting of my invention; FIG. 2 is a front elevational view thereof; FIG. 3 is a rear elevational view thereof; FIG. 4 is a top plan view thereof; FIG. 5 is a right elevational view thereof; and, FIG. 6 is a left elevational view thereof.

[56] **References Cited**

U.S. PATENT DOCUMENTS

D. 369,429 4/1996 Huang D26/62 X
D. 370,077 5/1996 Huang D26/62 X

1 Claim, 4 Drawing Sheets



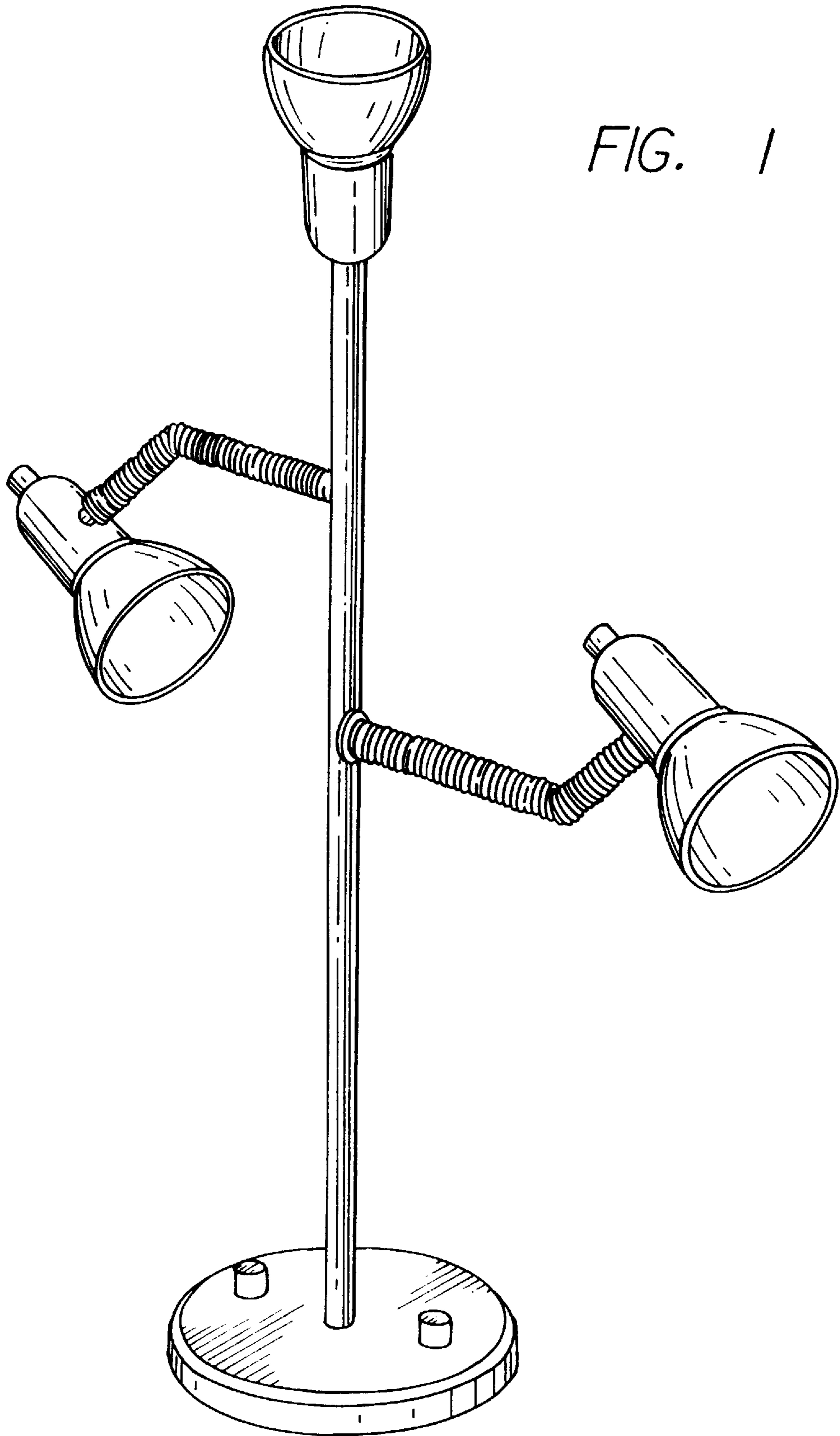


FIG. 1

FIG. 2

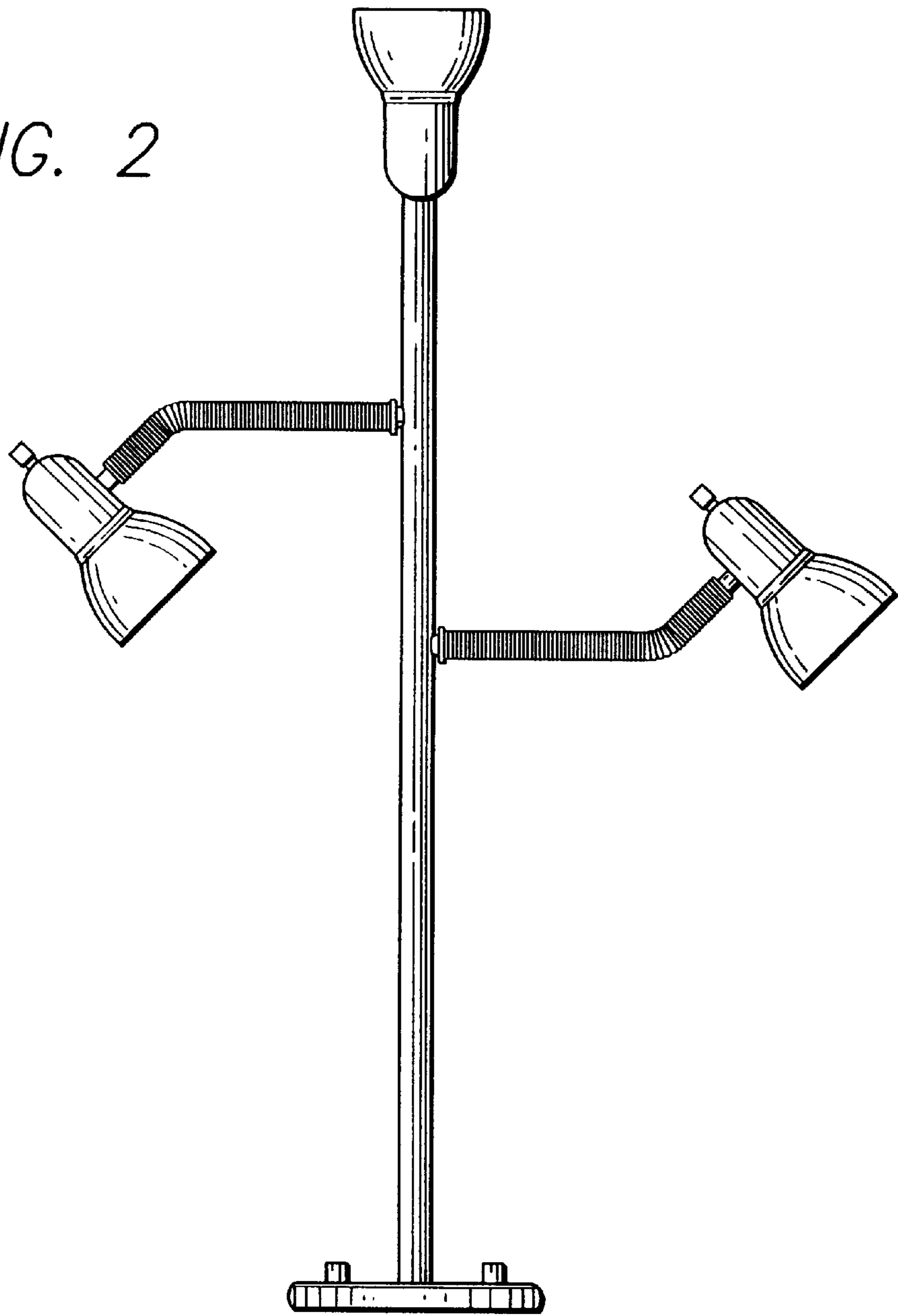


FIG. 4

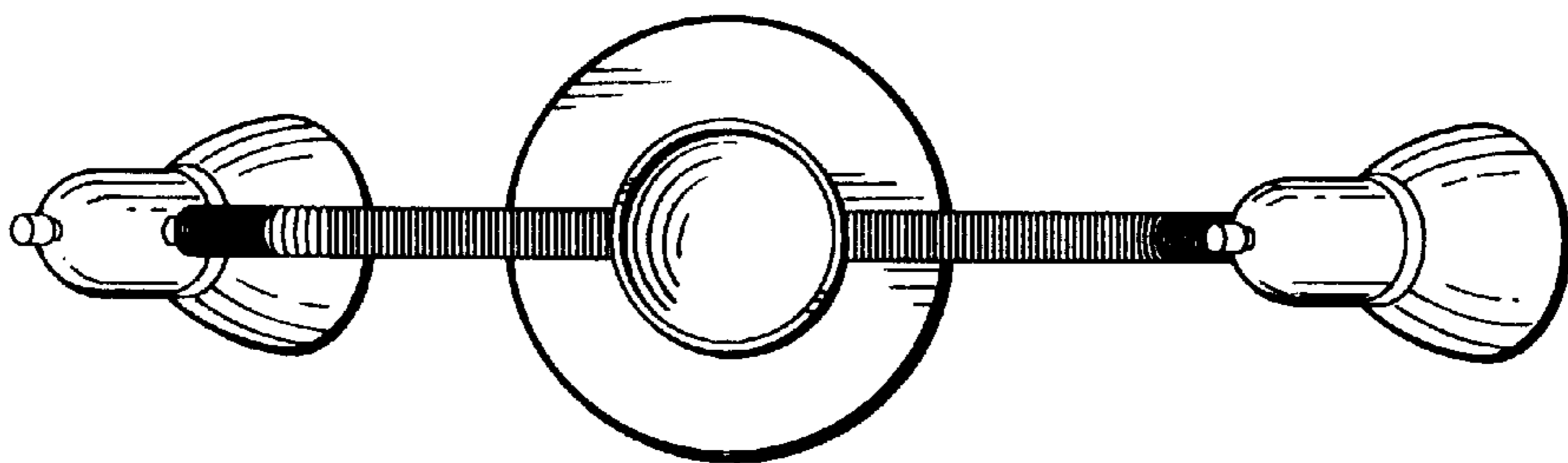
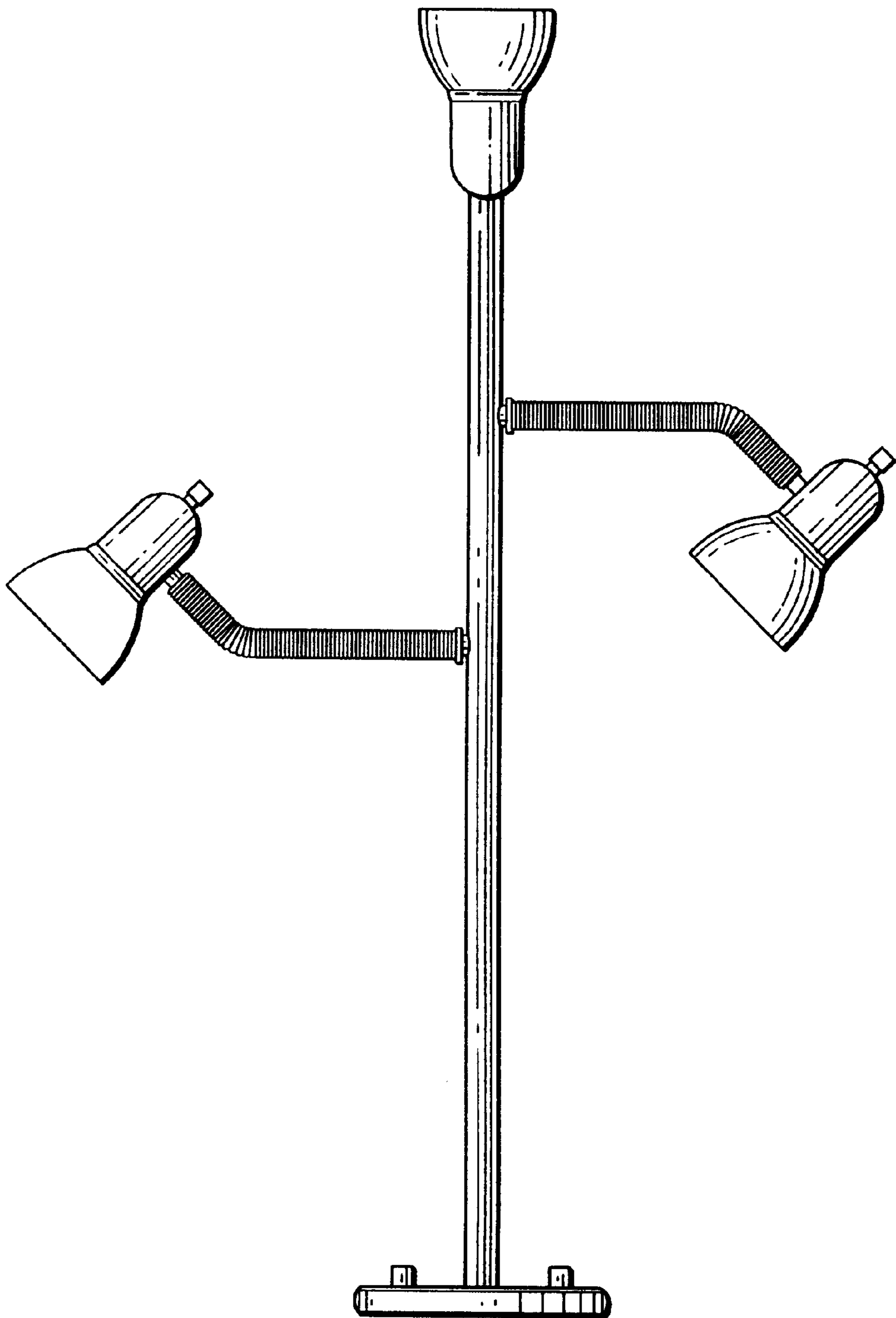


FIG. 3



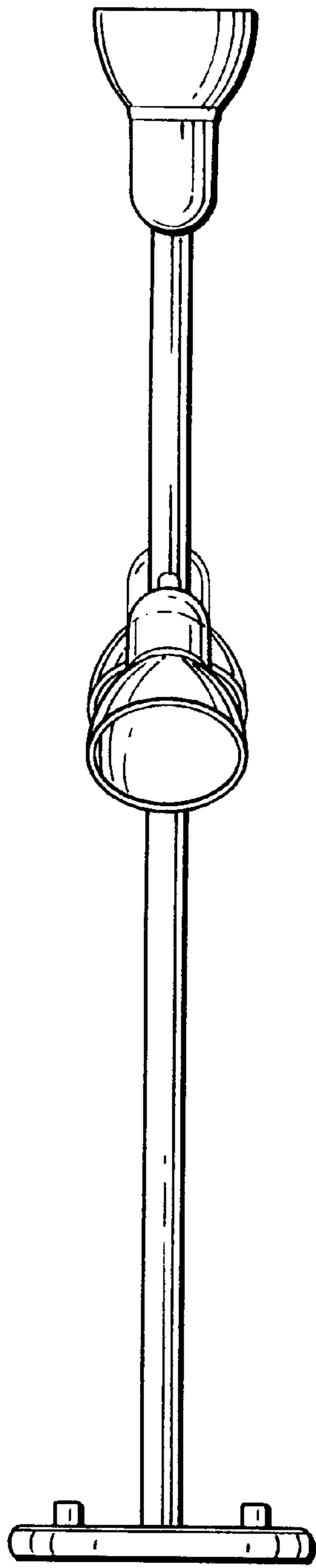


FIG. 5

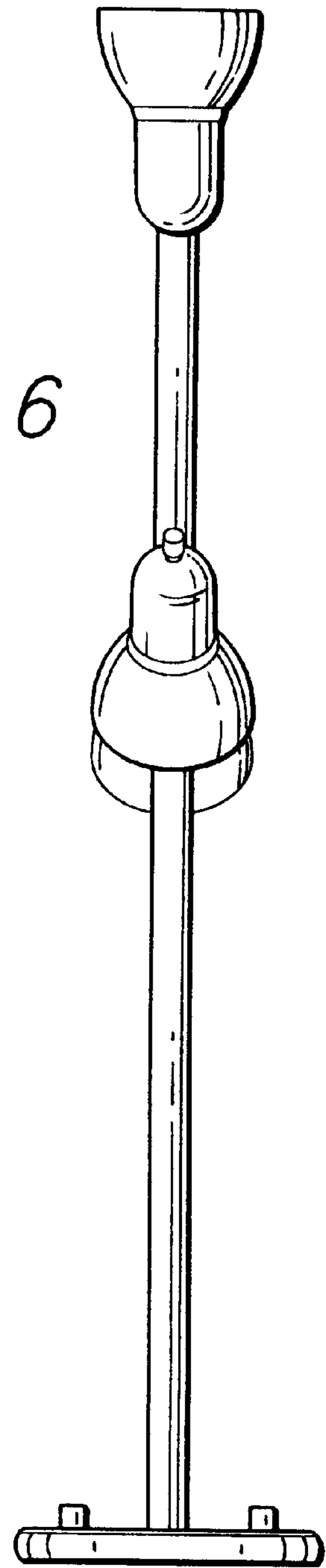


FIG. 6