



US00D428172S

United States Patent [19]

Yuen

[11] Patent Number: Des. 428,172

[45] Date of Patent: ** Jul. 11, 2000

[54] MULTI FUNCTION RADIO, FAN AND FLUORESCENT LANTERN

D. 388,203 12/1997 Wan D26/38

[75] Inventor: John Se-Kit Yuen, Kowloon, The Hong Kong Special Administrative Region of the People's Republic of China

Primary Examiner—Marcus A. Jackson
Attorney, Agent, or Firm—Beall Law Offices

[73] Assignee: John Manufacturing Limited, Kowloon, The Hong Kong Special Administrative Region of the People's Republic of China

[57] CLAIM

The ornamental design for a "multi function radio, fan and fluorescent lantern", as shown and described.

[**] Term: 14 Years

DESCRIPTION

[21] Appl. No.: 29/112,170

FIG. 1 is a right side elevational view of a multi function radio, fan & fluorescent lantern showing my new design;

[22] Filed: Oct. 13, 1999

FIG. 2 is a rear elevational view thereof;

[30] Foreign Application Priority Data

Apr. 14, 1999 [GB] United Kingdom 2082649

FIG. 3 is a left side elevational view thereof;

[51] LOC (7) Cl. 26-02

FIG. 4 is a front elevational view thereof;

[52] U.S. Cl. D26/38

FIG. 5 is a top plan elevational view thereof;

[58] Field of Search D26/37-50; D23/328, D23/370; 362/157, 158, 183-208

FIG. 6 is a bottom plan elevational view thereof;

FIG. 7 is a right side elevational view showing fluorescent lantern in an alternative position thereof; and,

FIG. 8 is a front elevational view showing fluorescent compartment and spotlight in alternative positions thereof.

[56] References Cited

U.S. PATENT DOCUMENTS

D. 351,901 10/1994 Boruch et al. D26/38

1 Claim, 4 Drawing Sheets

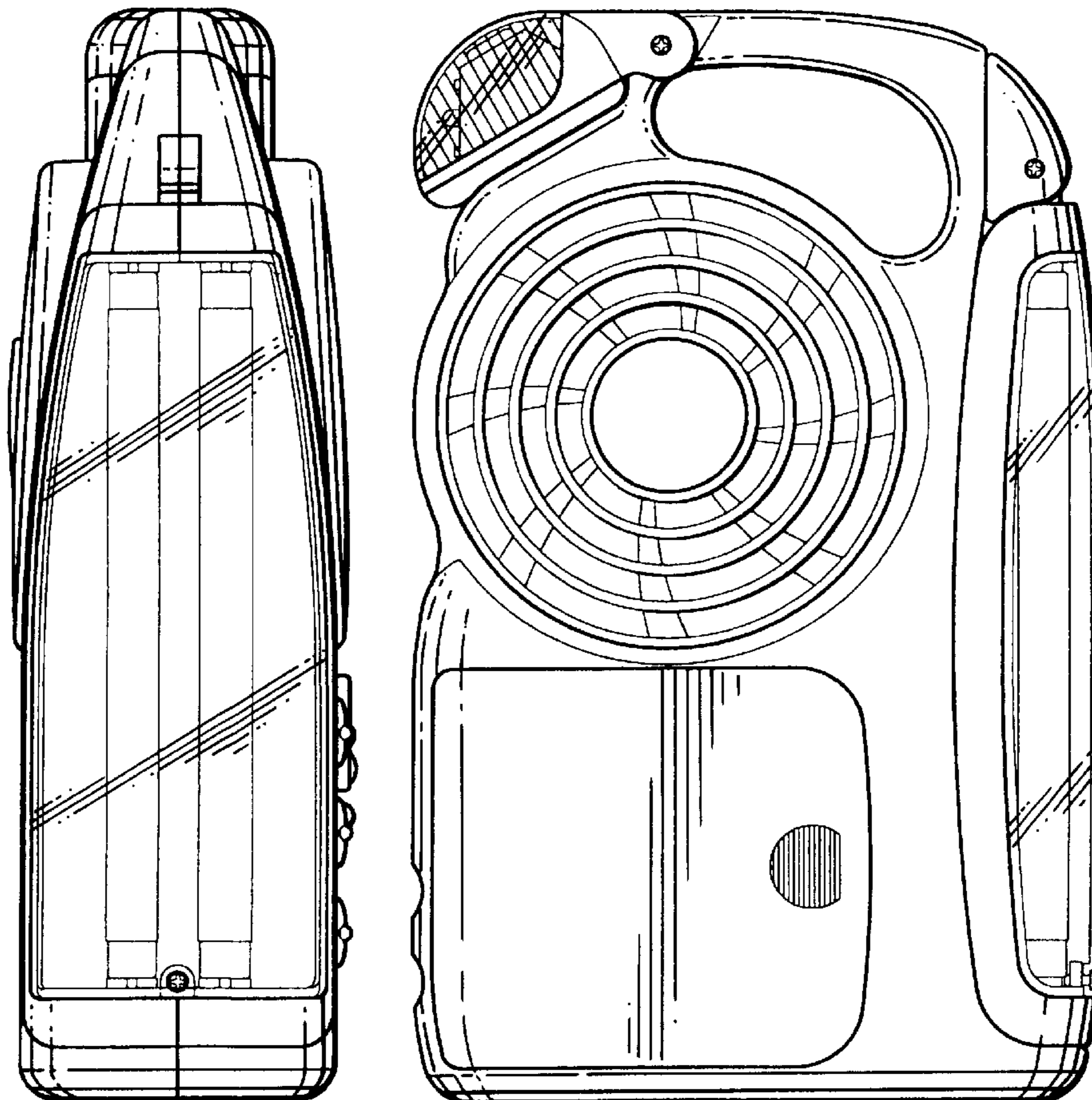


FIG. 3

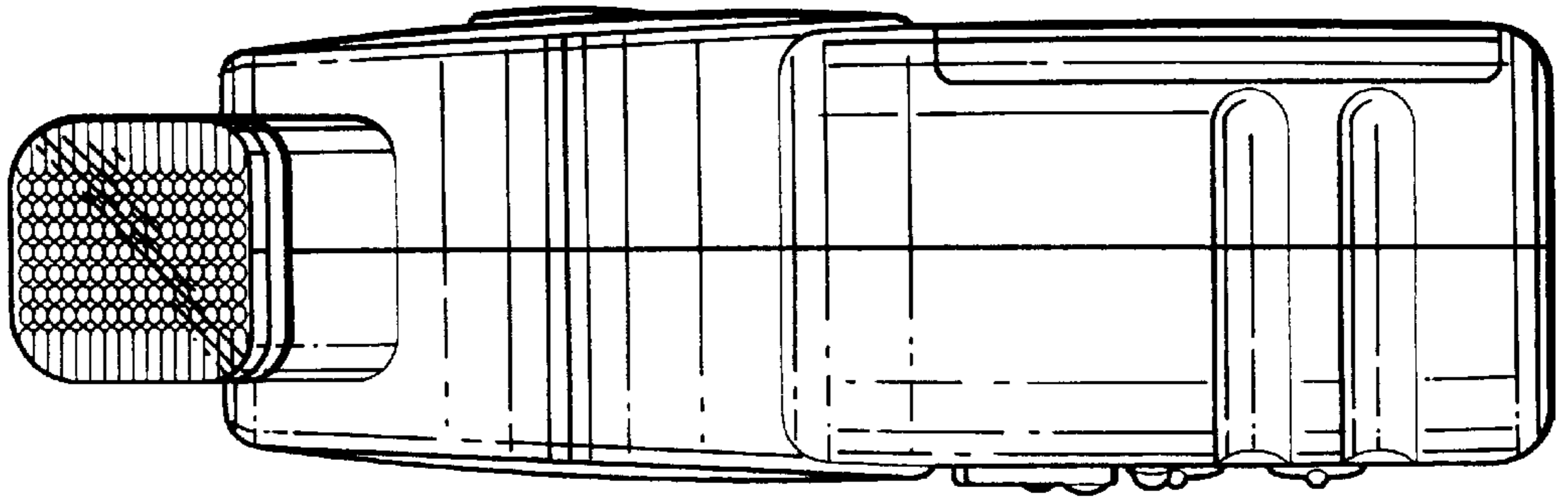


FIG. 2

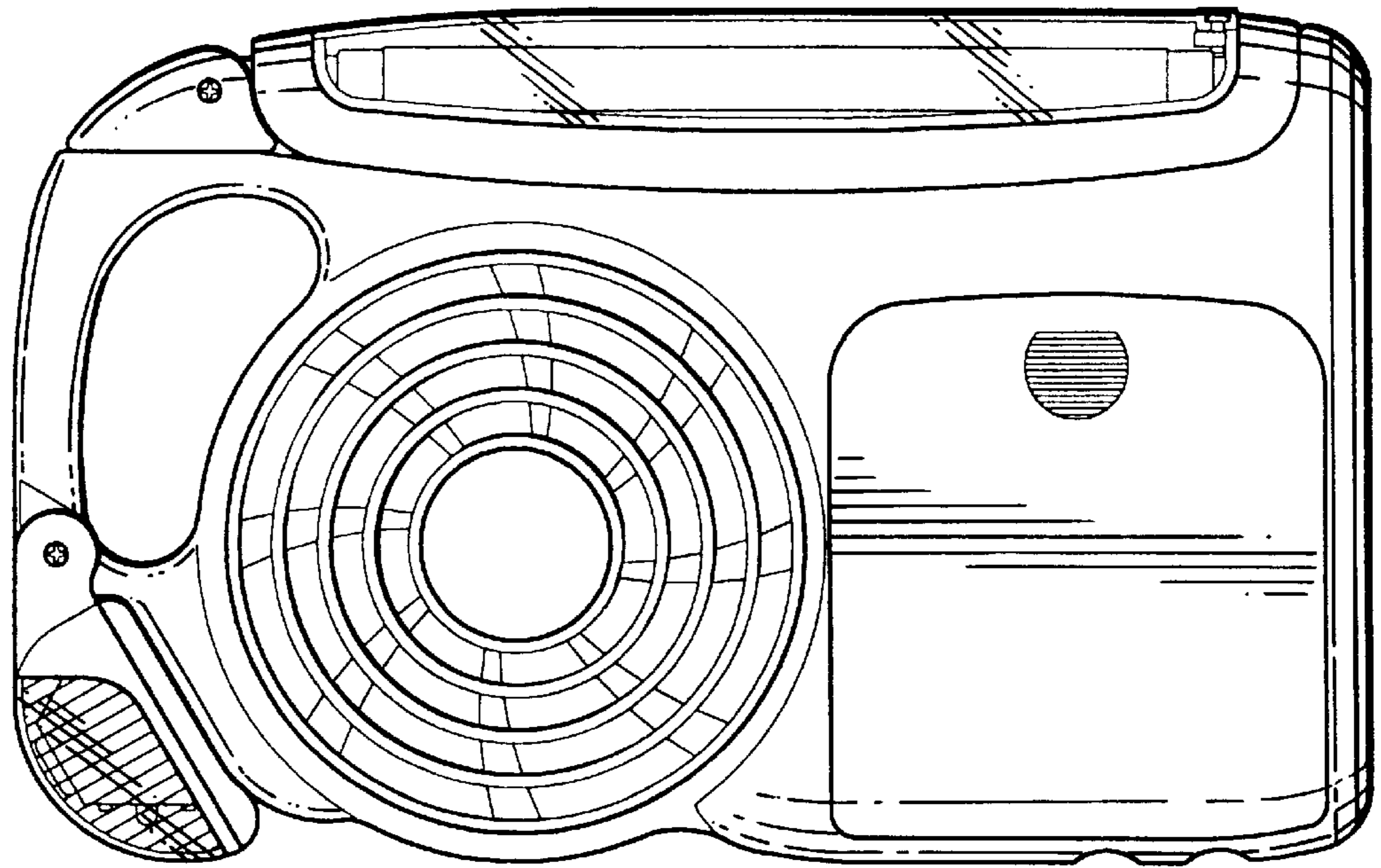


FIG. 1

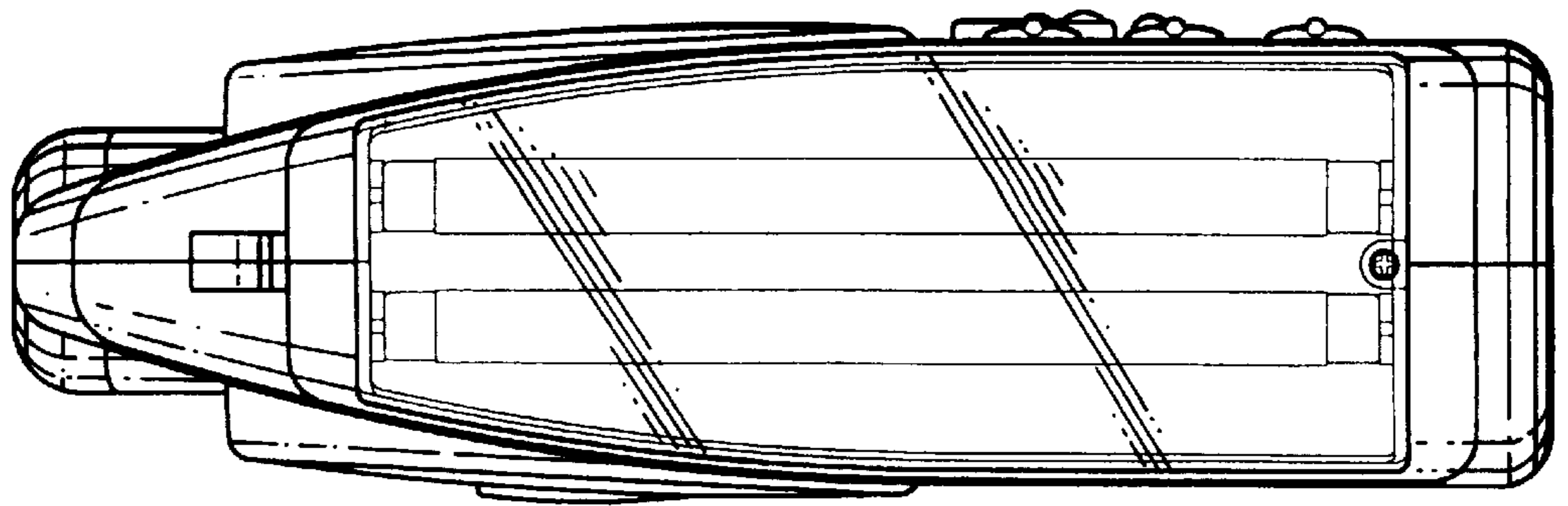


FIG. 5

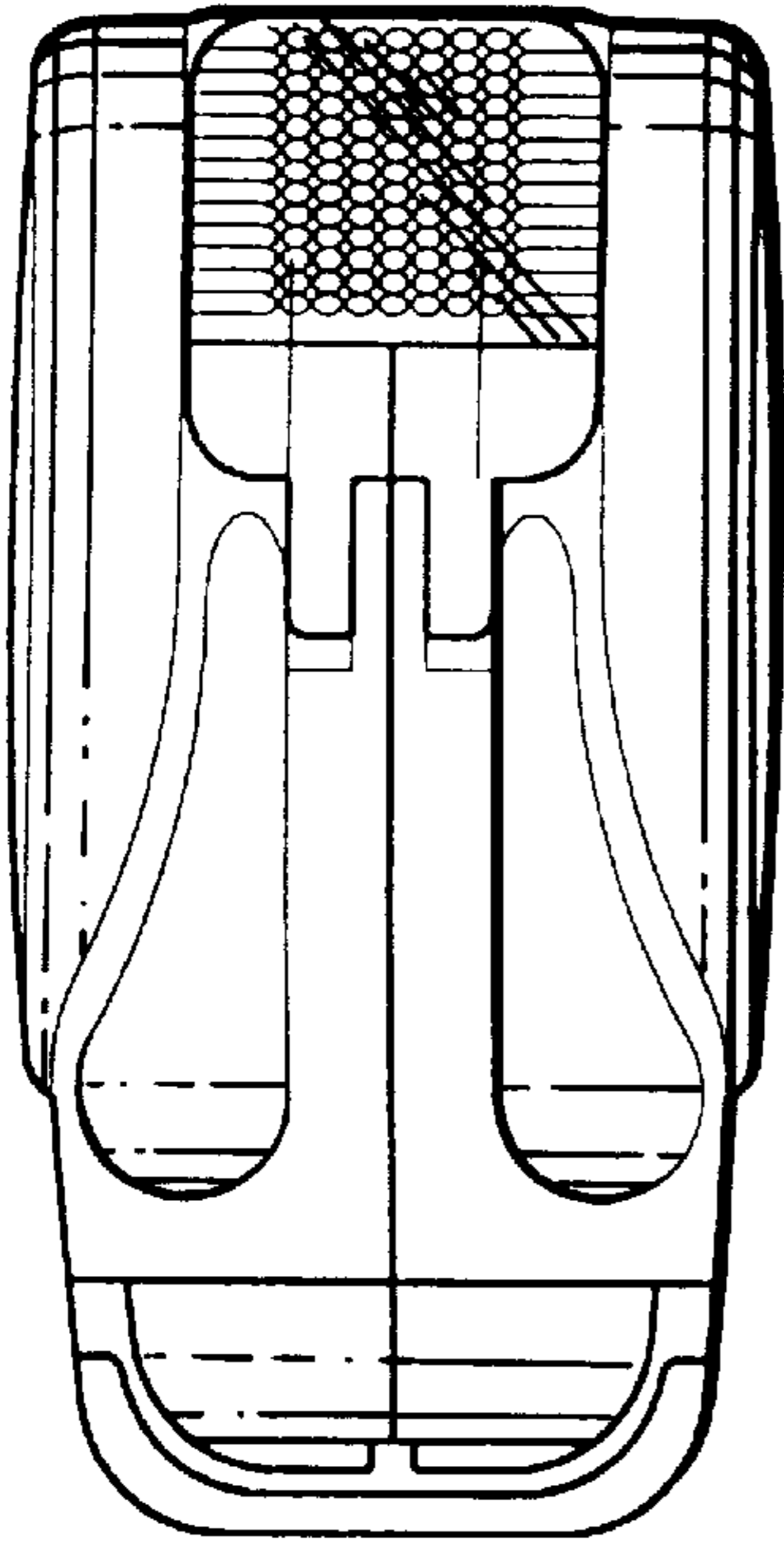


FIG. 6

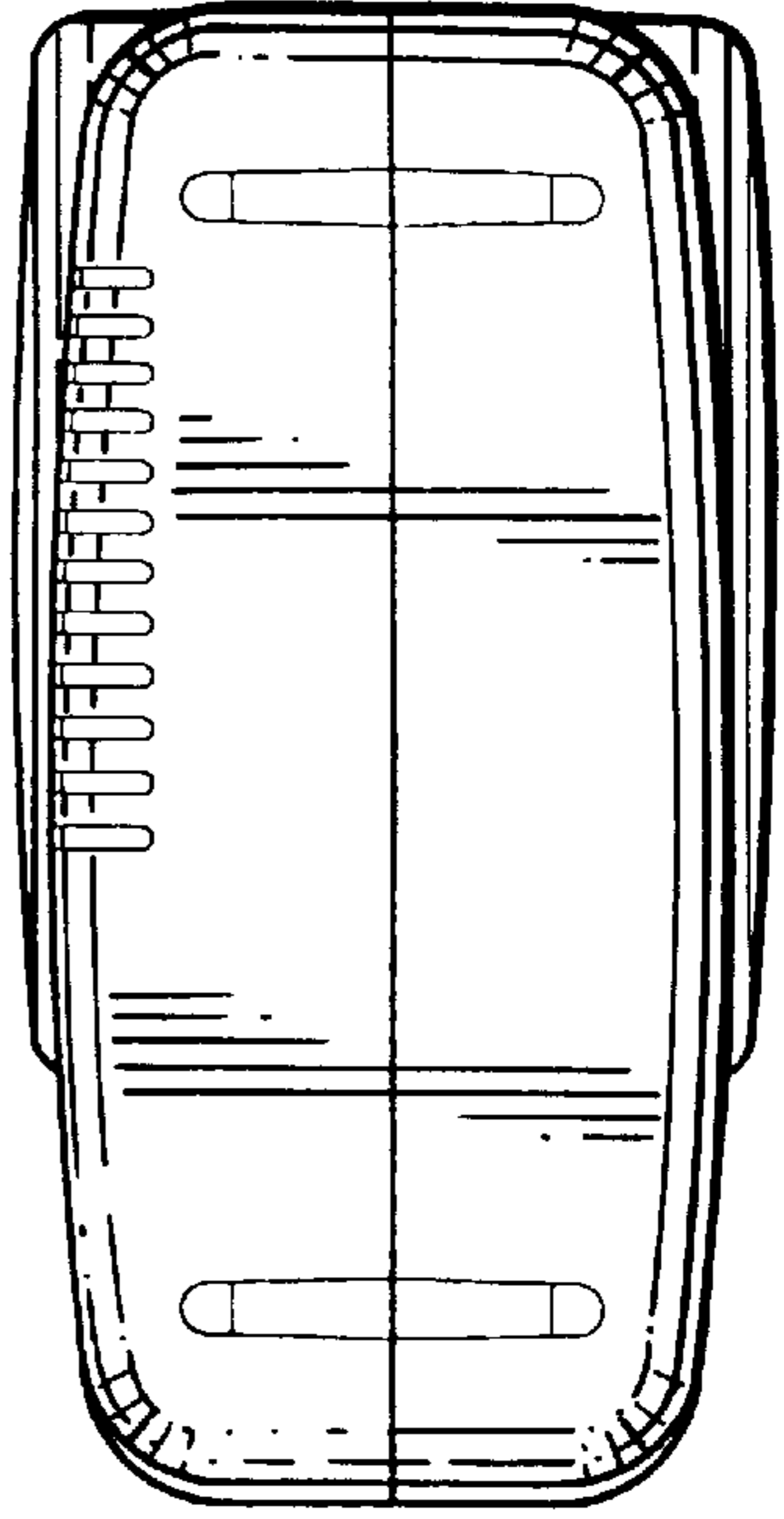


FIG. 4

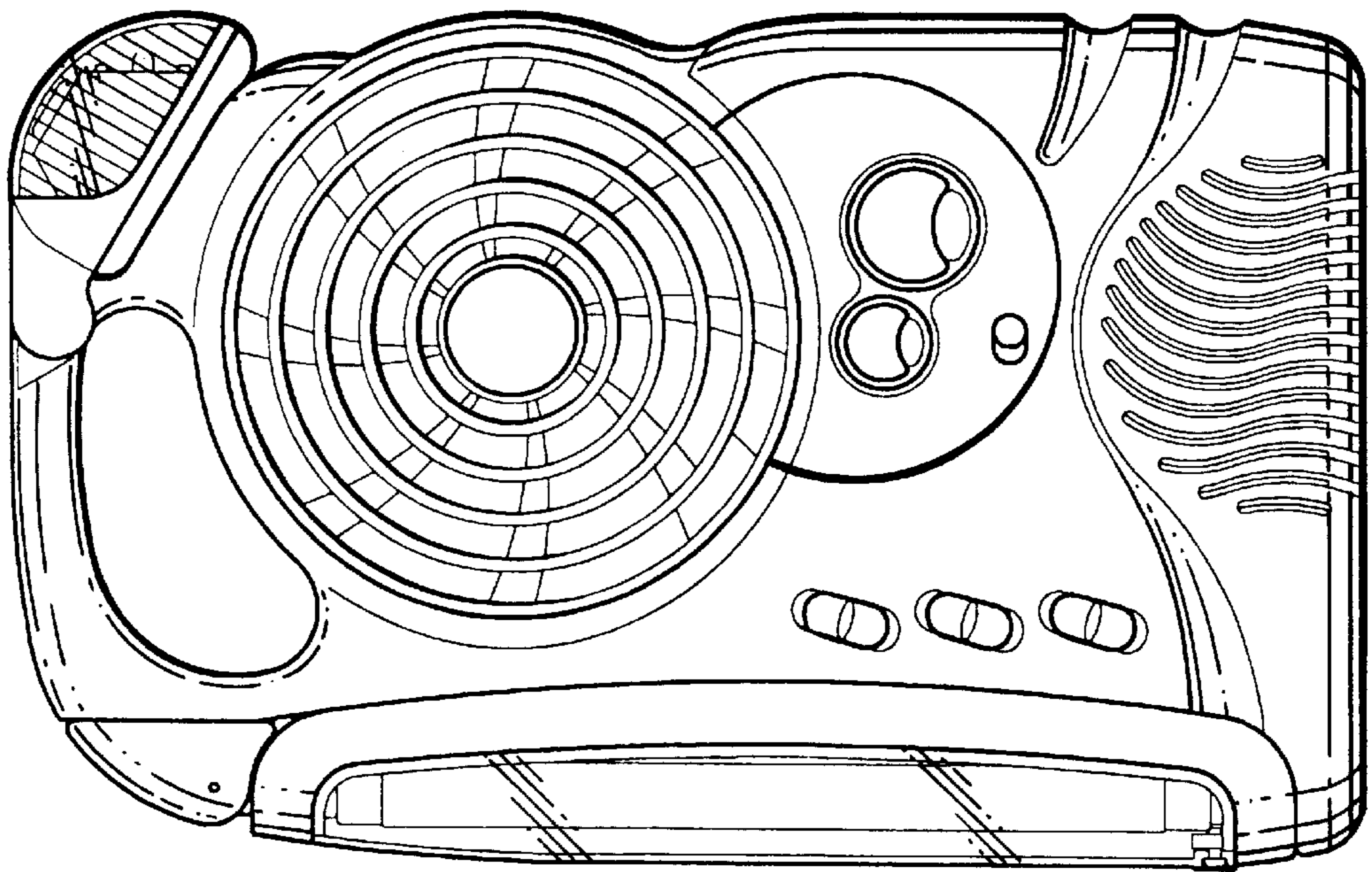
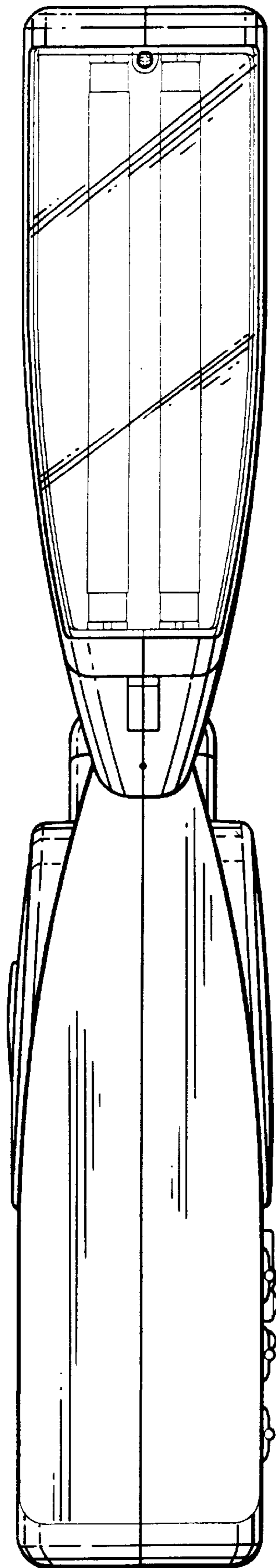


FIG. 7



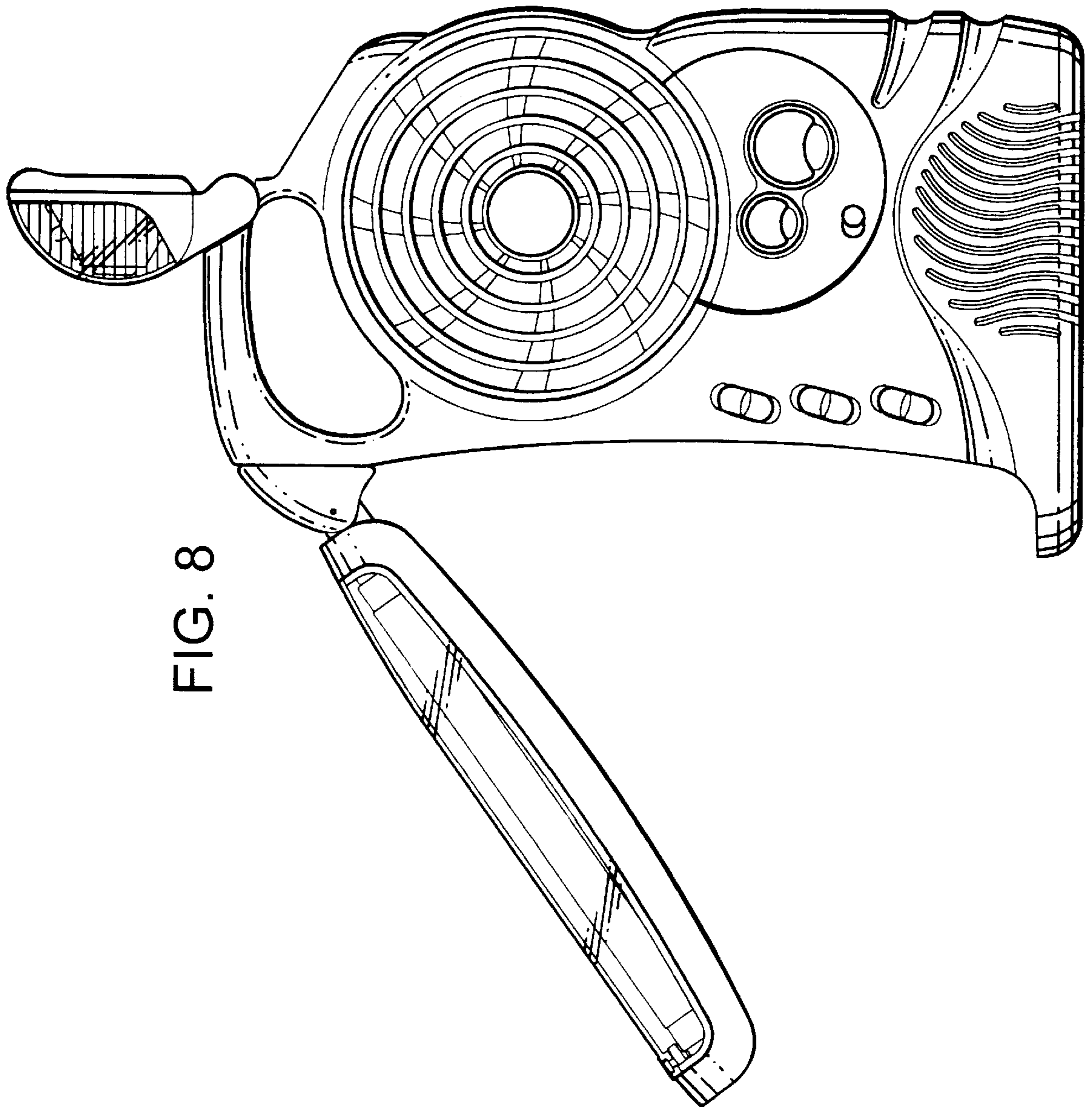


FIG. 8