



US00D428169S

# United States Patent [19]

**Veach et al.**

[11] **Patent Number: Des. 428,169**

[45] **Date of Patent: \*\* Jul. 11, 2000**

[54] **NIGHT LIGHT**

[75] Inventors: **Wayne Veach**, Antioch, Ill.; **Robert D. Giese**, Kenosha, Wis.

[73] Assignee: **Brinks Hofer Gilson & Lione**, Spring Grove, Ill.

[\*\*] Term: **14 Years**

[21] Appl. No.: **29/109,315**

[22] Filed: **Aug. 12, 1999**

[51] **LOC (7) Cl.** ..... **26-05**

[52] **U.S. Cl.** ..... **D26/26**

[58] **Field of Search** ..... D26/24, 25, 26, D26/37, 72, 73, 80, 81, 85, 87, 88, 89, 92; 962/226, 147, 432, 200, 222, 223, 404, 367

[56] **References Cited**

**U.S. PATENT DOCUMENTS**

D. 169,960	7/1953	Brill et al.	.....	D26/24
D. 293,136	12/1987	Joerger	.....	D26/87
D. 328,801	8/1992	Emmerling	.....	D26/26 X
D. 367,087	2/1996	Mathews	.....	D26/37 X

D. 374,492	10/1996	Coe	.....	D26/37
D. 393,911	4/1998	Stekelenburg	.....	D26/26
D. 401,367	11/1998	DeLay	.....	D26/26
D. 403,786	1/1999	Lai	.....	D26/24
5,556,192	9/1996	Wang	.....	362/226 X

**OTHER PUBLICATIONS**

Intermatic Catalog, pp. 47, 50, 54 & 55 (Jan. 1999).

*Primary Examiner*—Cynthia Ramirez

*Attorney, Agent, or Firm*—Brinks Hofer Gilson & Lione

[57] **CLAIM**

We claim the ornamental design for a night light, as shown and described.

**DESCRIPTION**

FIG. 1 is a perspective view showing our new design; FIG. 2 is a front view of the embodiment shown in FIG. 1; FIG. 3 is a top view of the embodiment shown in FIGS. 1-2; FIG. 4 is a bottom view of the embodiment shown in FIGS. 1-3; FIG. 5 is a side view of the embodiment shown in FIGS. 1-4; and, FIG. 6 is a rear view of the embodiment shown in FIGS. 1-5.

**1 Claim, 2 Drawing Sheets**

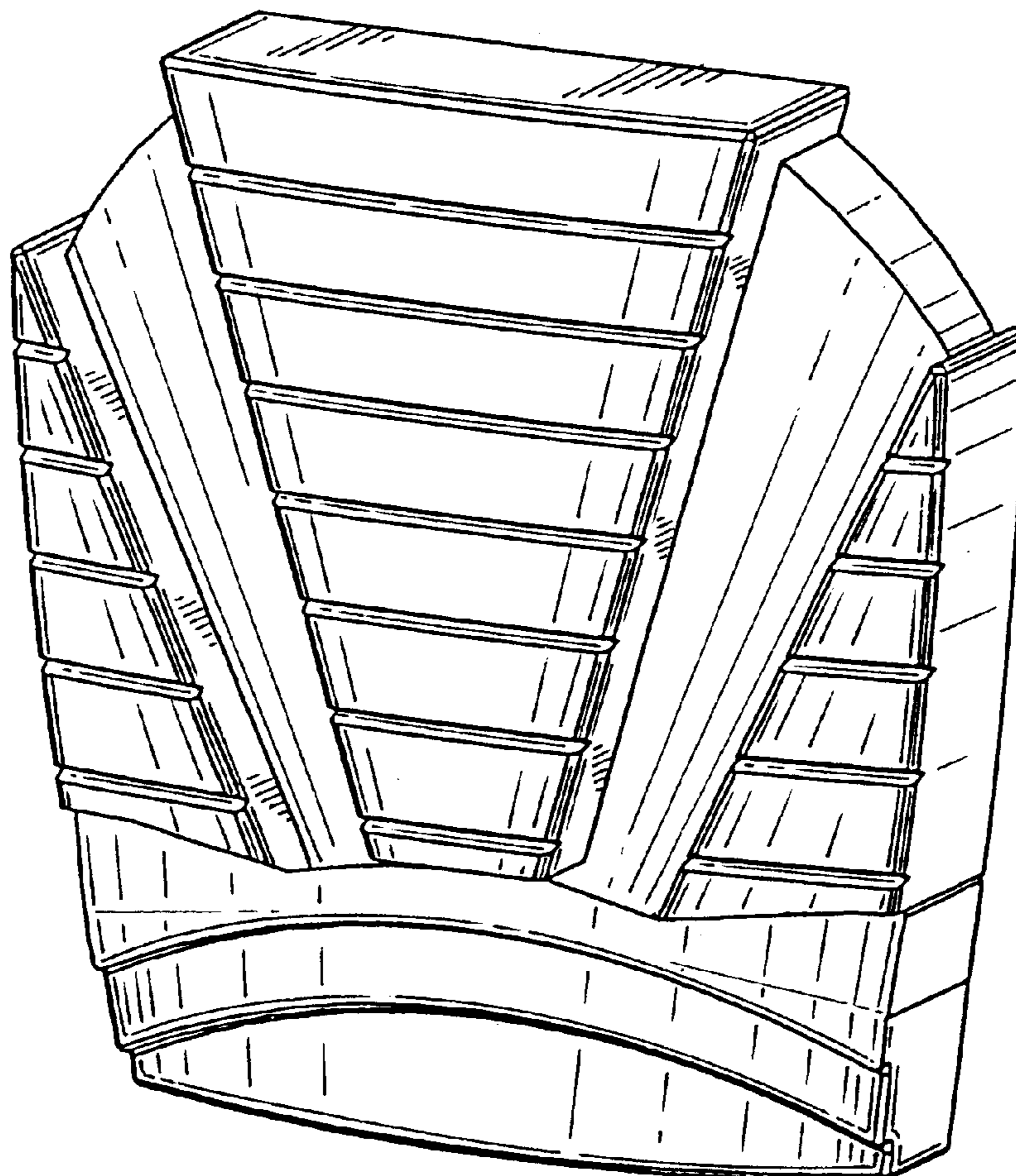


FIG. 2

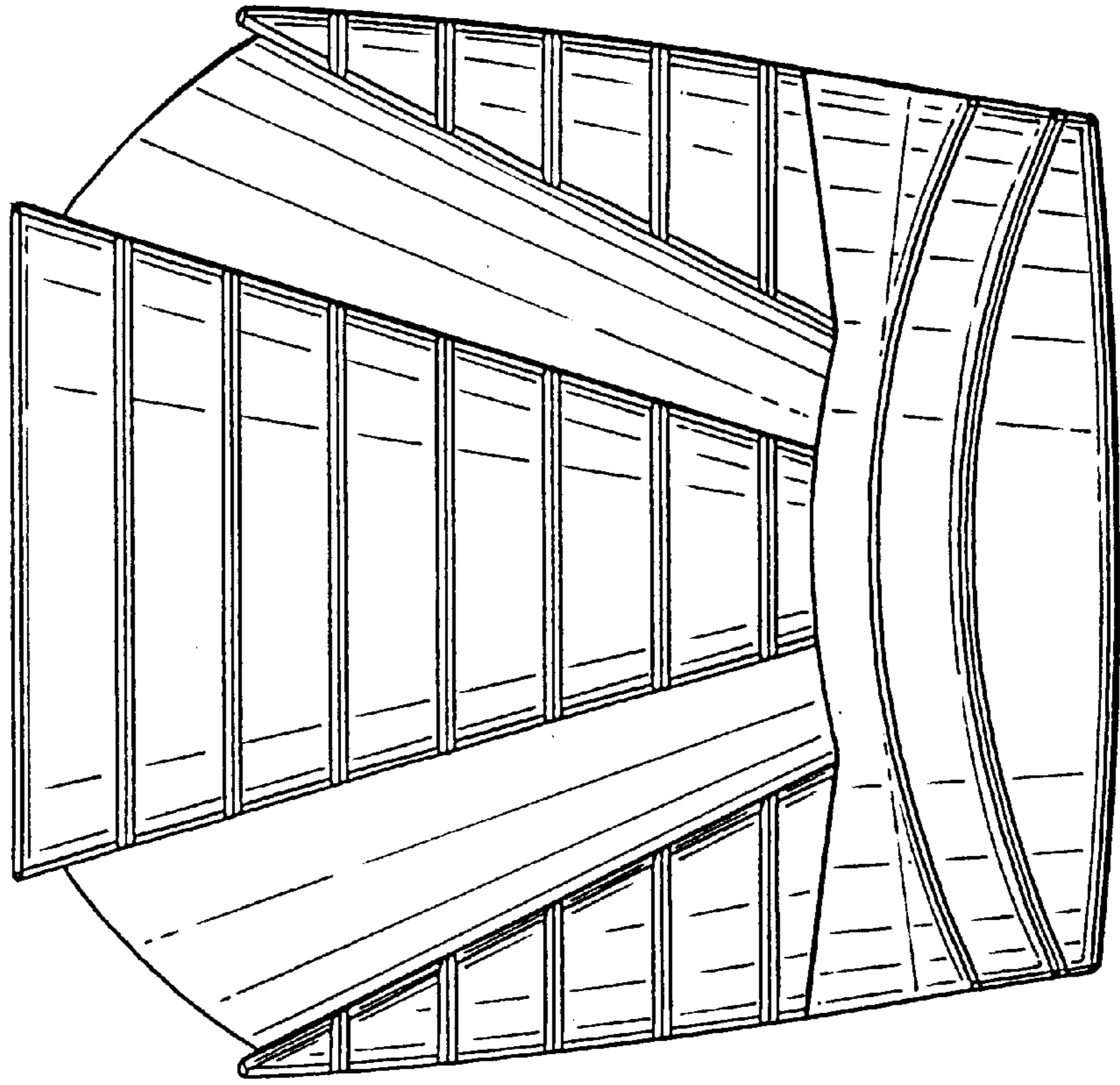


FIG. 1

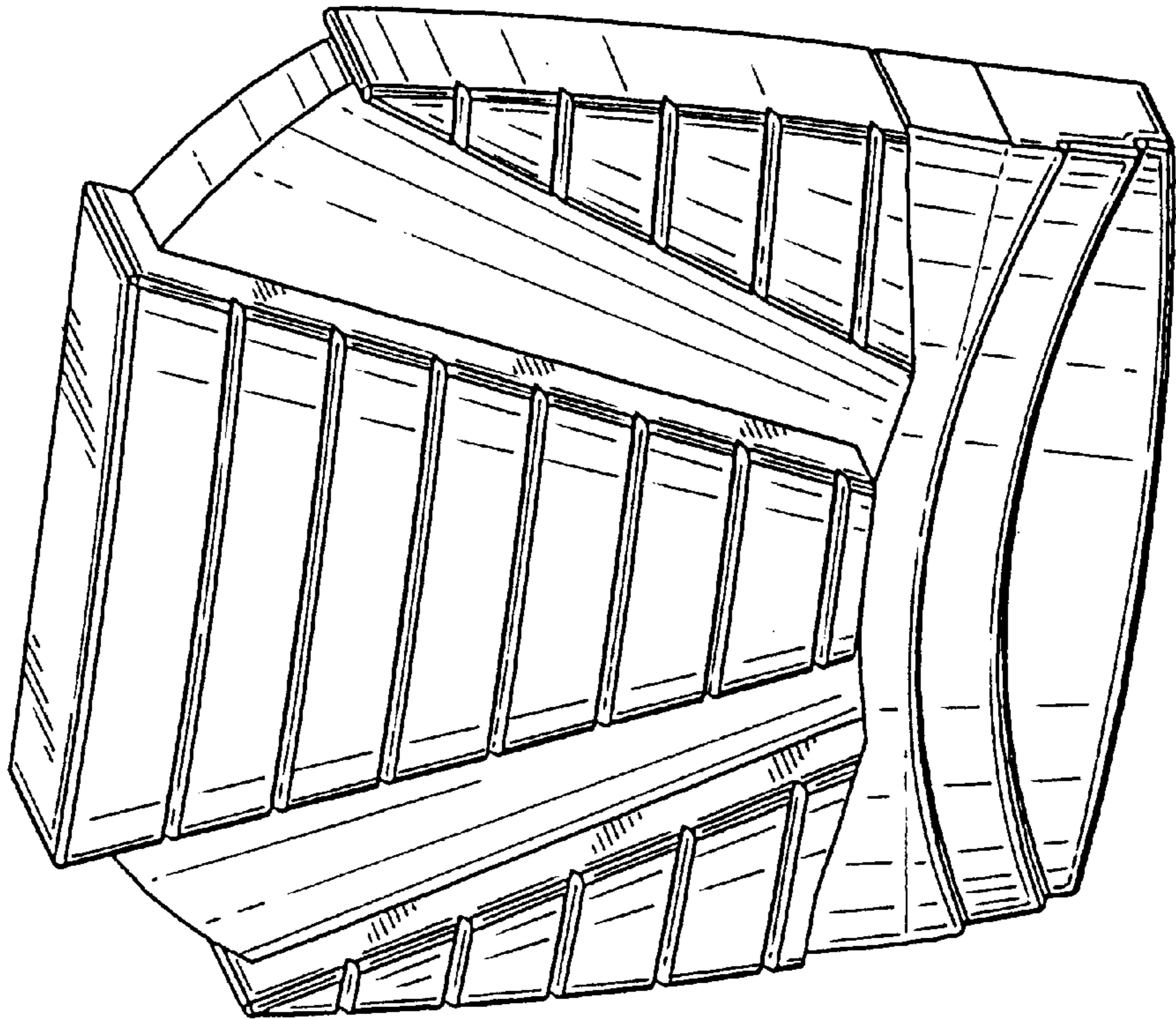


FIG. 3

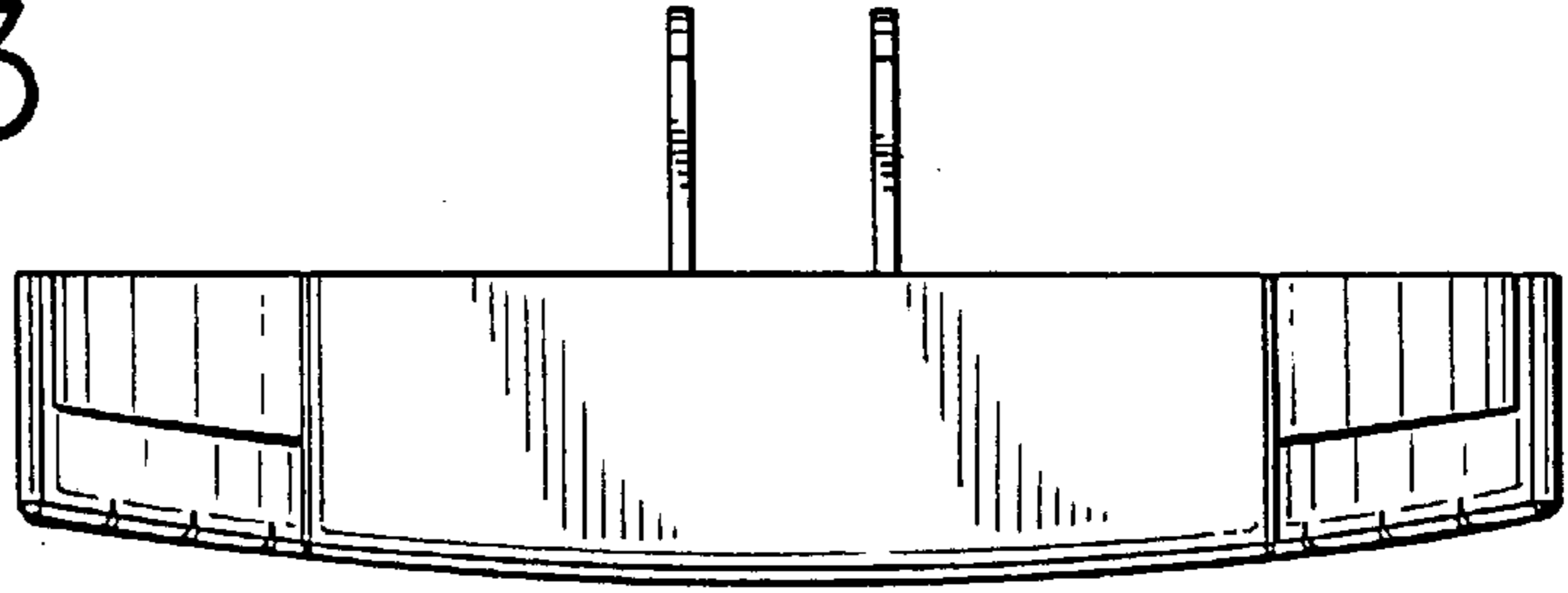


FIG. 4

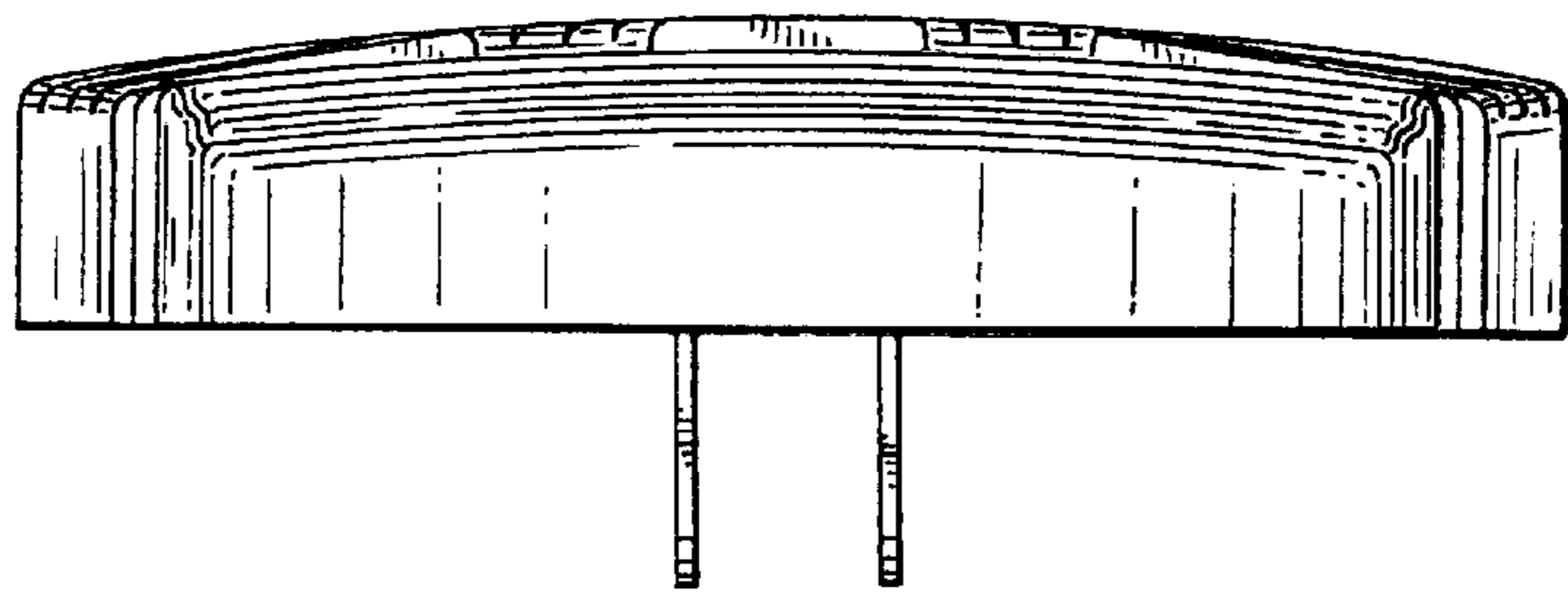


FIG. 5

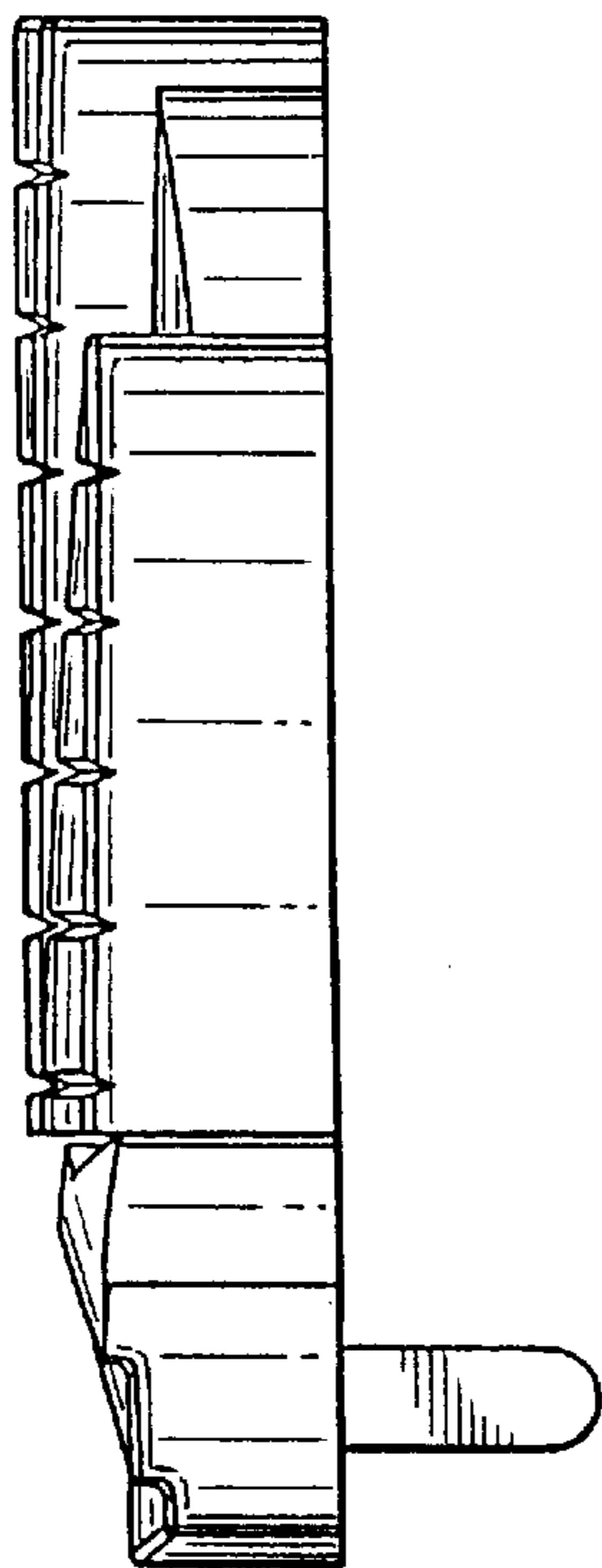
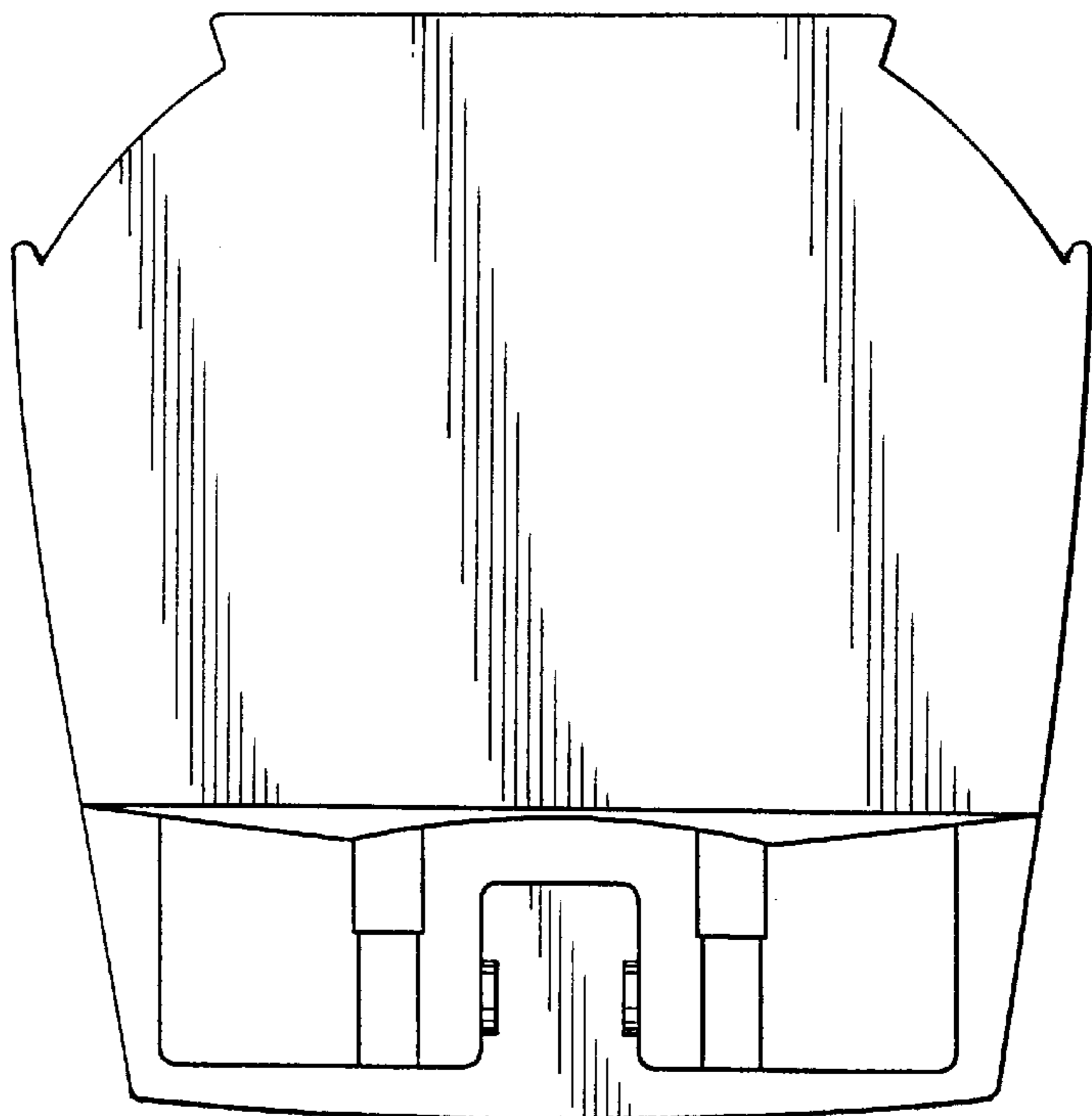


FIG. 6



UNITED STATES PATENT AND TRADEMARK OFFICE  
**CERTIFICATE OF CORRECTION**

PATENT NO. : Des 428,169  
DATED : July 11, 2000  
INVENTOR(S) : Wayne Veach et al.

Page 1 of 1

It is certified that error appears in the above-identified patent and that said Letters Patent is hereby corrected as shown below:

Title page,

Item [73], change "Brinks Hofer Gilson & Lione," to -- Intermatic, Incorporated, --.

Signed and Sealed this

Twenty-fifth Day of December, 2001

*Attest:*



*Attesting Officer*

JAMES E. ROGAN  
*Director of the United States Patent and Trademark Office*