



US00D428166S

# United States Patent [19]

**Veach et al.**

[11] **Patent Number: Des. 428,166**

[45] **Date of Patent: \*\* Jul. 11, 2000**

[54] **NIGHT LIGHT**

D. 382,658 8/1997 Yu ..... D26/26  
6,022,128 2/2000 Chin ..... 362/276

[75] Inventors: **Wayne Veach**, Antioch, Ill.; **Robert D. Giese**, Kenosha, Wis.

### OTHER PUBLICATIONS

[73] Assignee: **Intermatic Incorporated**, Spring Grove, Ill.

Do-it-yourself Retailing, p. 42, Shell shaped night light, Sep. 1988.  
INTERMATIC Catalog, pp. 47, 50, 54, 55 (Jan. 1999).

[\*\*] Term: **14 Years**

*Primary Examiner*—Susan J. Lucas  
*Assistant Examiner*—Cynthia E Ramirez  
*Attorney, Agent, or Firm*—Brinks Hofer Gilson & Lione

[21] Appl. No.: **29/109,260**

[22] Filed: **Aug. 12, 1999**

### [57] CLAIM

[51] **LOC (7) Cl.** ..... **26-05**

The ornamental design for a night light, as shown in the attached drawings.

[52] **U.S. Cl.** ..... **D26/26**

[58] **Field of Search** ..... D26/24, 26, 72,  
D26/73, 118, 125, 127; 362/226, 806, 95,  
276, 432; D11/133

### DESCRIPTION

### [56] References Cited

#### U.S. PATENT DOCUMENTS

D. 24,473 7/1895 McFaddin ..... D26/118  
D. 304,770 11/1989 Debrey et al. .... D26/118  
D. 316,309 4/1991 Plymale ..... D26/118  
D. 332,488 1/1993 Martin ..... D26/26 X

FIG. 1 is a perspective view showing our new design;  
FIG. 2 is a front view thereof;  
FIG. 3 is a top view thereof;  
FIG. 4 is a bottom view thereof;  
FIG. 5 is a side view thereof; and,  
FIG. 6 is a rear view thereof.

**1 Claim, 2 Drawing Sheets**

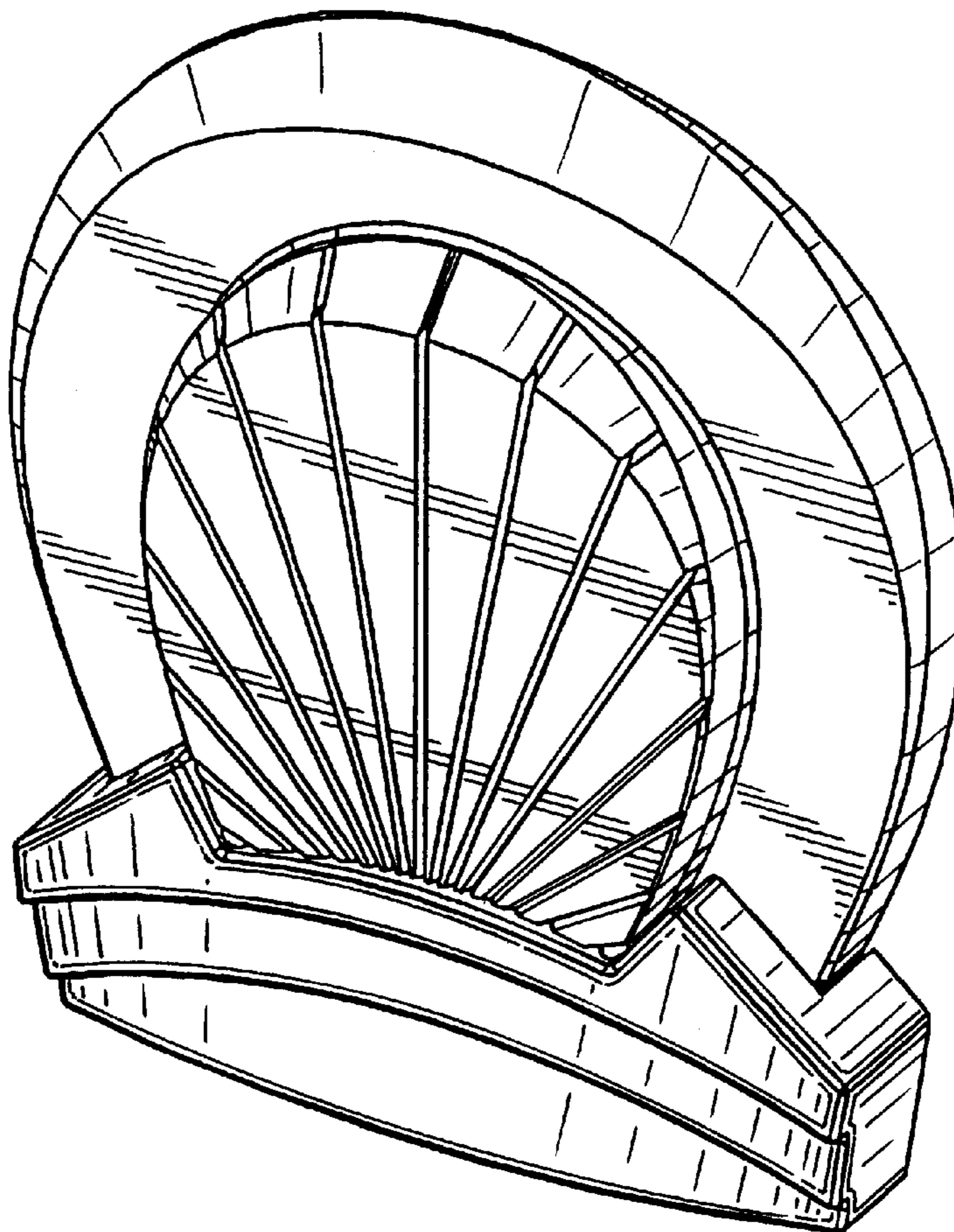


FIG. 2

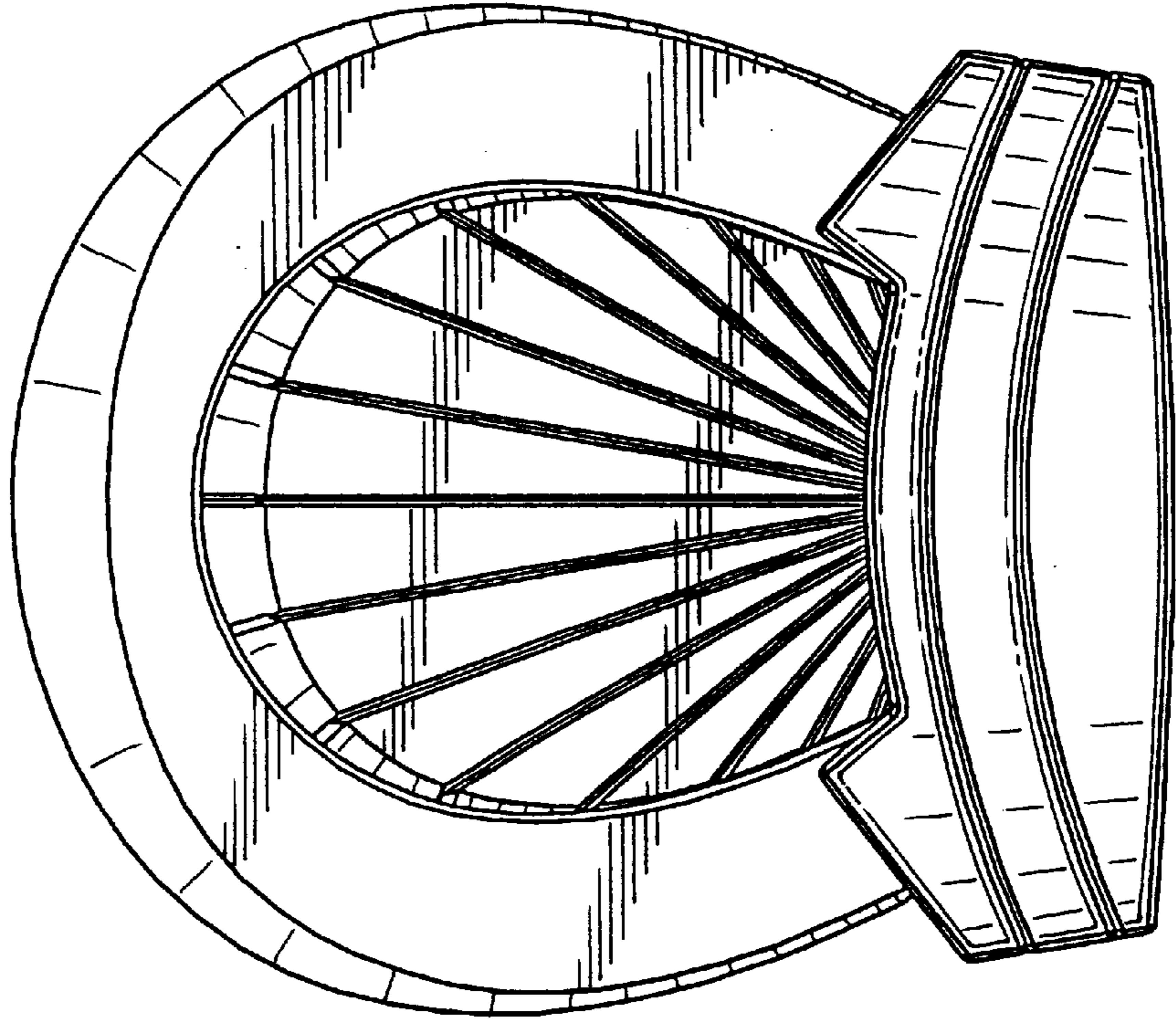


FIG. 1

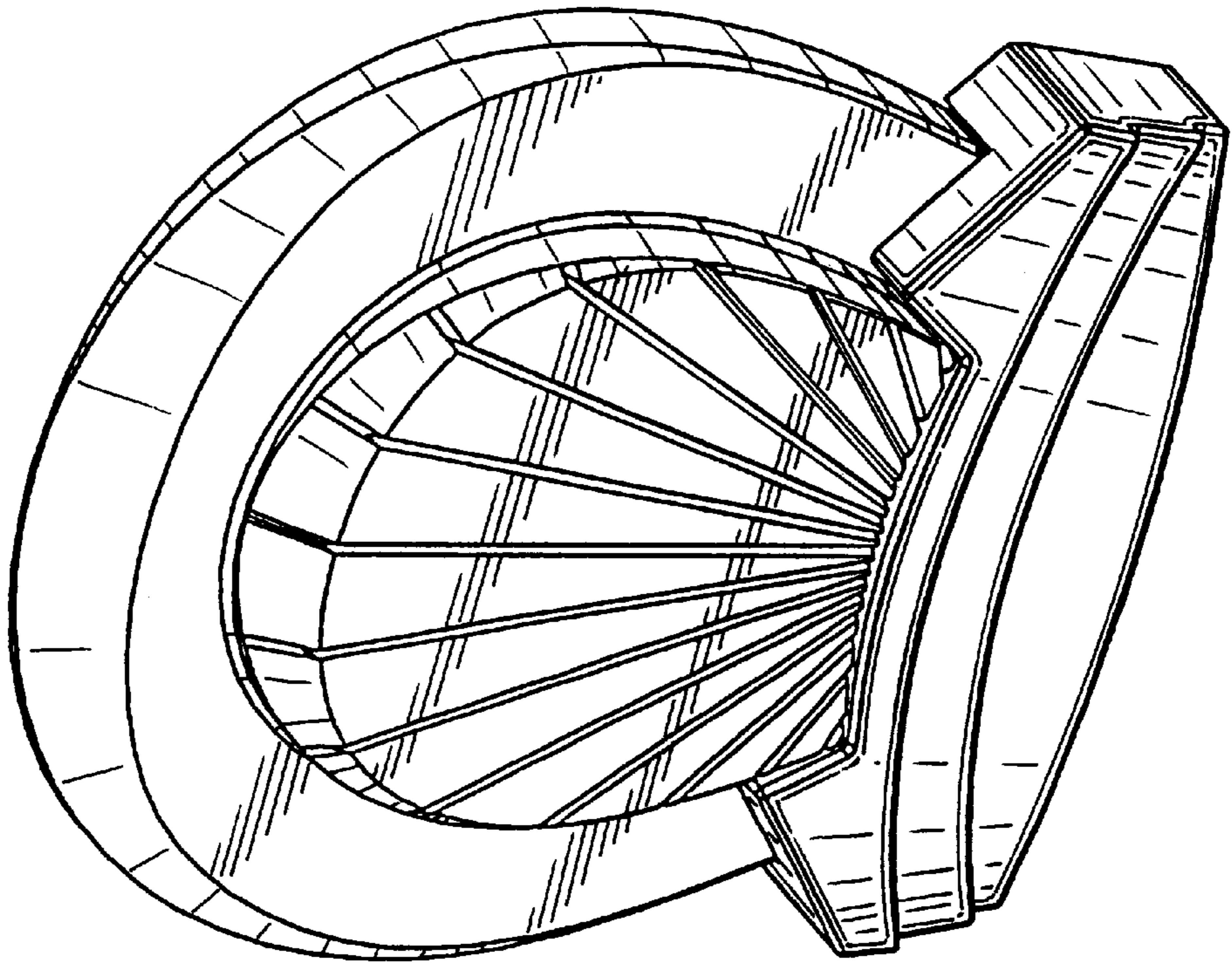


FIG. 3

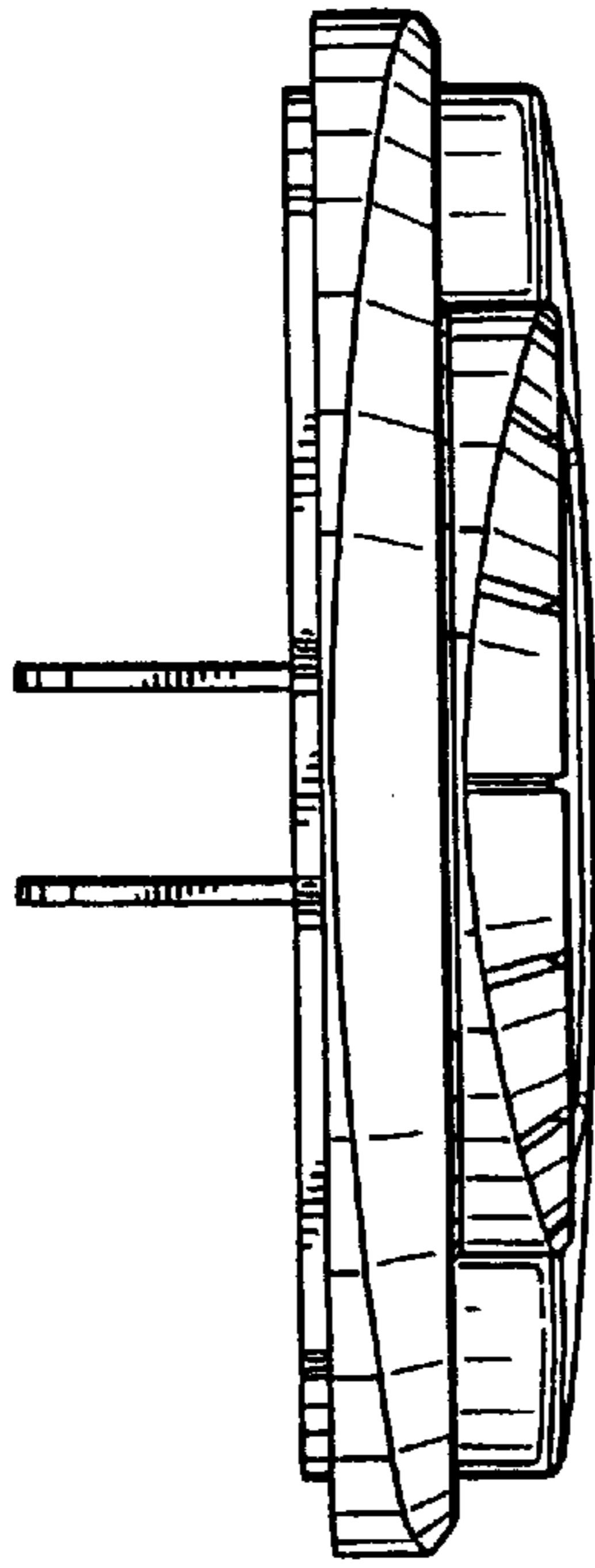


FIG. 4

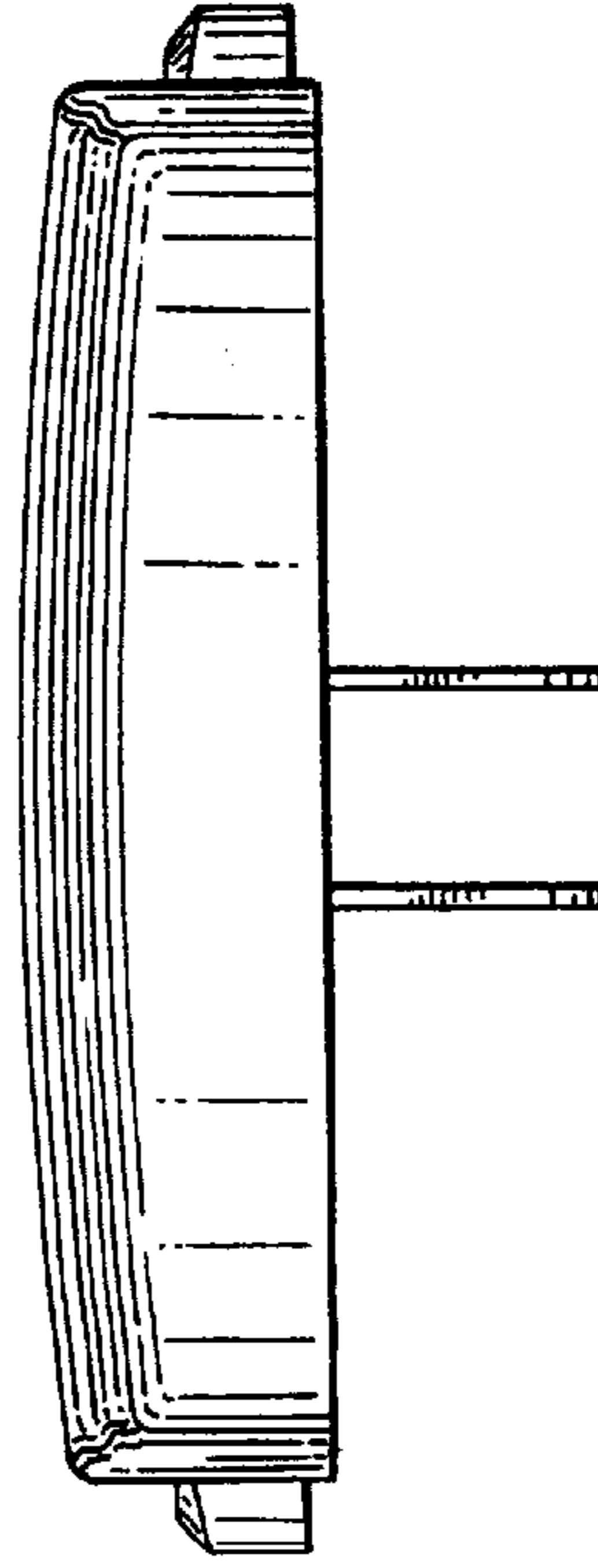


FIG. 5

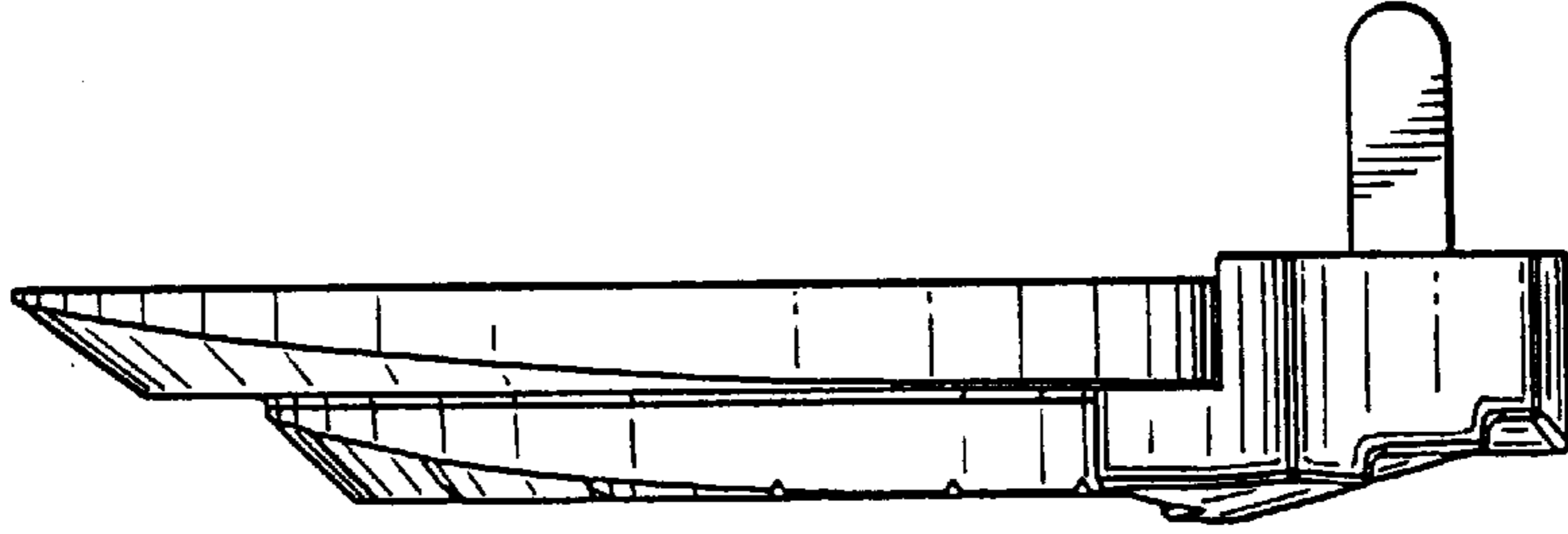


FIG. 6

