



US00D428165S

United States Patent [19]
Cole

[11] **Patent Number: Des. 428,165**

[45] **Date of Patent: ** Jul. 11, 2000**

[54] **WINDOW COMPONENT EXTRUSION**

[75] Inventor: **Douglas L. Cole**, Seattle, Wash.

[73] Assignee: **Mikron Industries, Inc.**, Kent, Wash.

[**] Term: **14 Years**

[21] Appl. No.: **29/115,305**

[22] Filed: **Dec. 10, 1999**

[51] **LOC (7) Cl.** **25-01**

[52] **U.S. Cl.** **D25/124**

[58] **Field of Search** D25/52, 60, 124,
D25/125; 49/501, 504, 505, DIG. 2; 52/204.1,
204.5, 730.3, 730.4, 730.5

[56] **References Cited**

U.S. PATENT DOCUMENTS

D. 397,804 9/1998 Hersh et al. D25/124

Primary Examiner—Doris Clark
Attorney, Agent, or Firm—Richardson & Folise

[57] **CLAIM**

The ornamental design for a window component extrusion, as shown and described.

DESCRIPTION

FIG. 1 is a top right perspective view of the window component extrusion which is broken in the center indicating indefinite length; and,

FIG. 2 is a bottom left perspective view of the window component extrusion shown in FIG. 1.

1 Claim, 1 Drawing Sheet

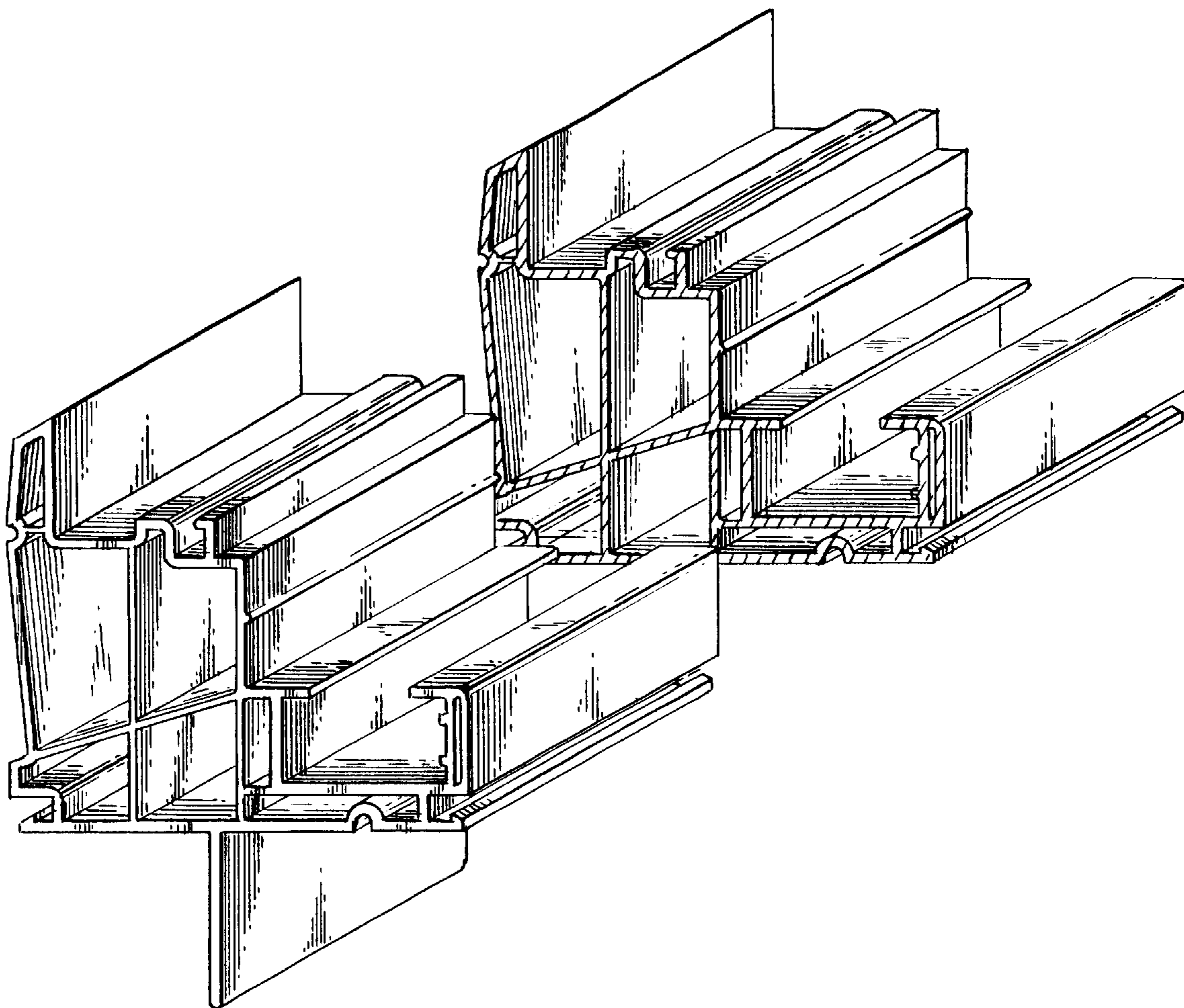


FIG. 1

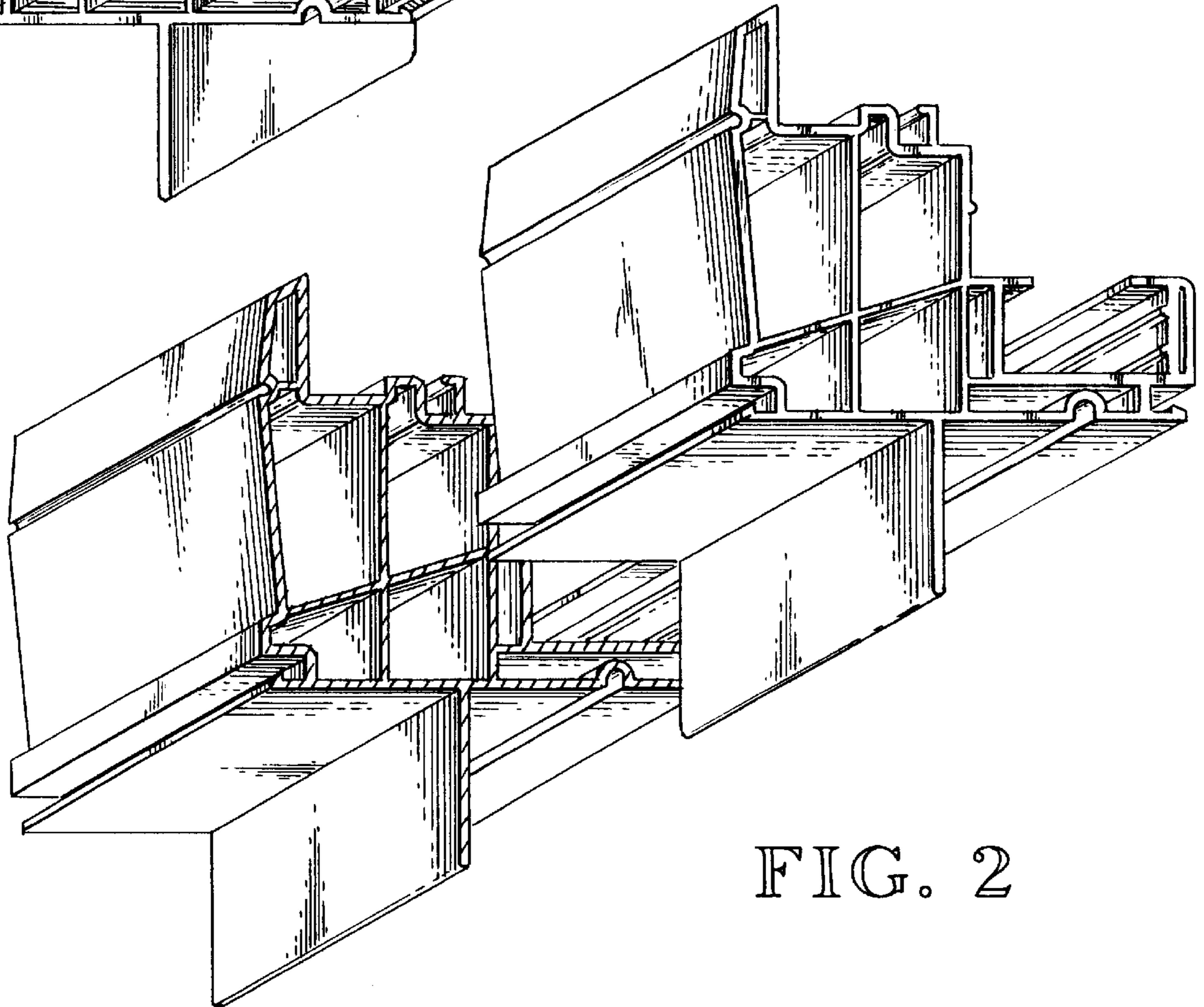
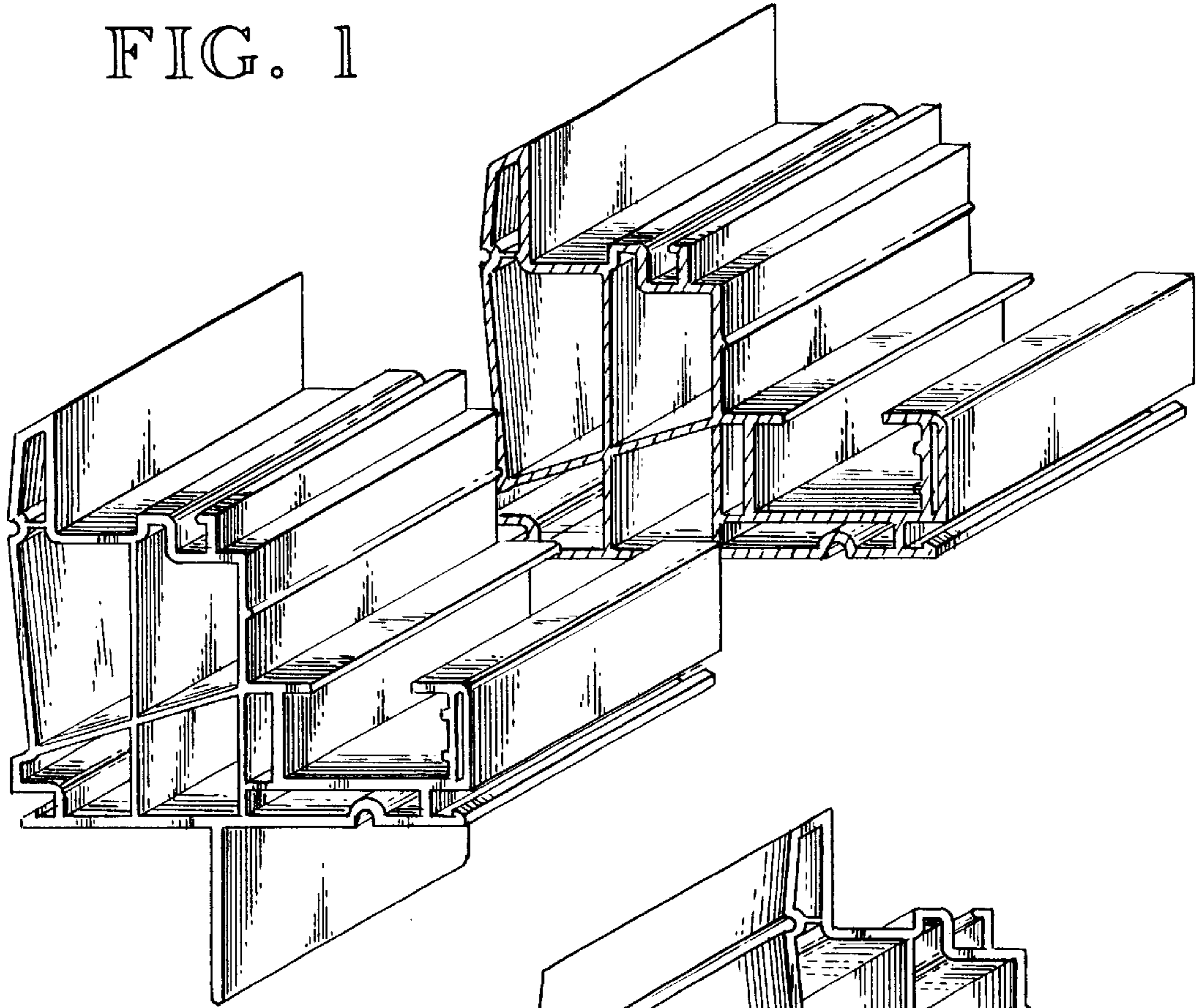


FIG. 2