



US00D428163S

United States Patent [19]
Oliver

[11] **Patent Number: Des. 428,163**

[45] **Date of Patent: ** Jul. 11, 2000**

[54] **WINDOW COMPONENT EXTRUSION**

[75] Inventor: **Teresa A. Oliver**, Kent, Wash.

[73] Assignee: **Mikron Industries, Inc.**, Kent, Wash.

[**] Term: **14 Years**

[21] Appl. No.: **29/112,134**

[22] Filed: **Oct. 7, 1999**

[51] **LOC (7) Cl.** **25-01**

[52] **U.S. Cl.** **D25/124**

[58] **Field of Search** D25/60, 52, 119-125;
49/DIG. 2, 504, 501; 52/204.5, 204.56,
204.57, 204.1, 730.3

[56] **References Cited**

U.S. PATENT DOCUMENTS

D. 389,250 1/1998 Hersh et al. D25/124

OTHER PUBLICATIONS

Mikron Part No. 5955, first sold Dec. 9, 1990.

Mikron Part No. 7482, first sold Mar. 5, 1997.

Primary Examiner—Doris Clark

Attorney, Agent, or Firm—Richardson & Folise

[57] **CLAIM**

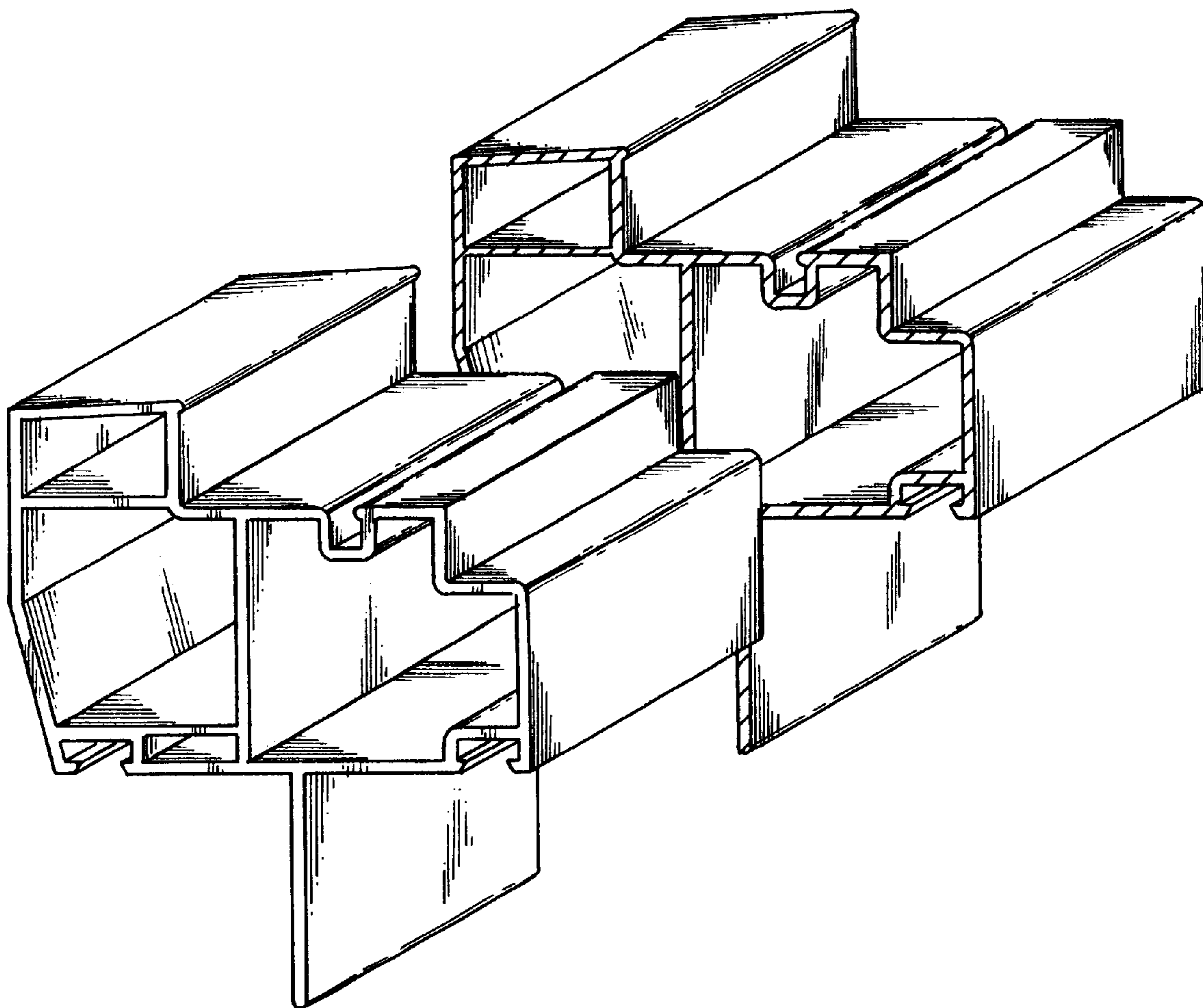
The ornamental design for a window component extrusion, as shown and described.

DESCRIPTION

FIG. 1 is a top right perspective view of the window component extrusion which is broken in the center indicating indefinite length; and;

FIG. 2 is a bottom left perspective view of the window component extrusion shown in FIG. 1.

1 Claim, 1 Drawing Sheet



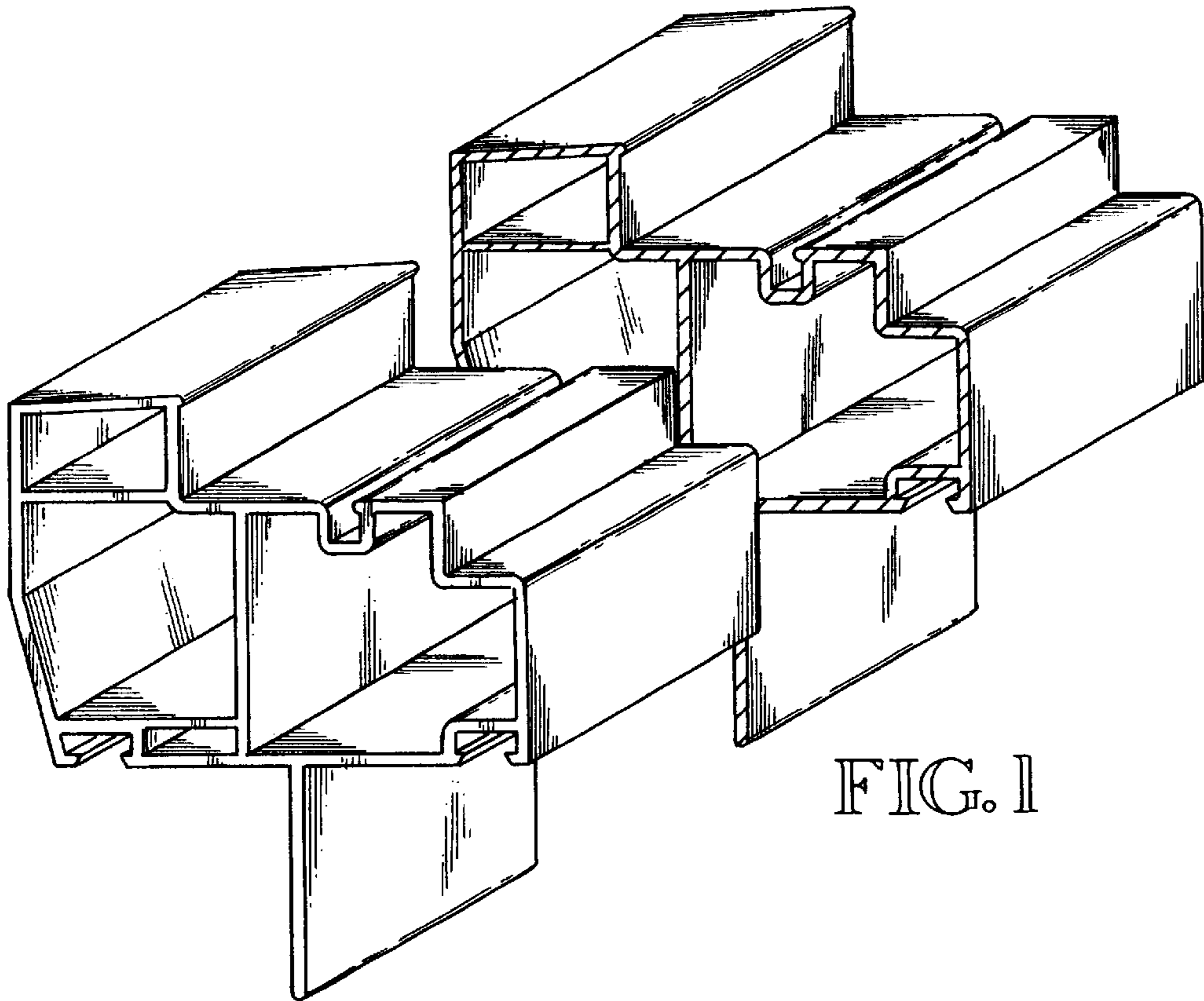


FIG. 1

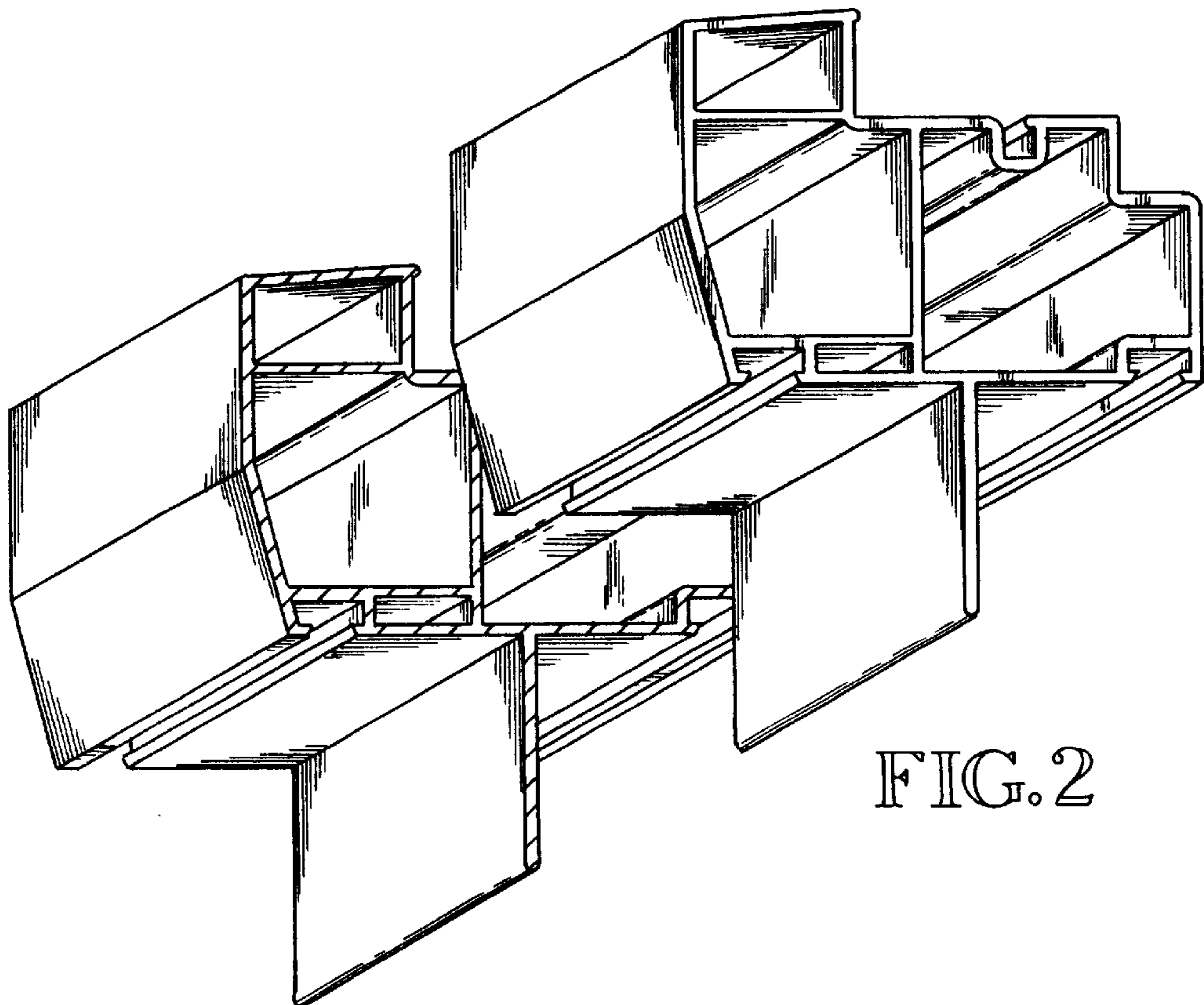


FIG. 2