



US00D428162S

United States Patent [19]

Eyring et al.

[11] **Patent Number: Des. 428,162**

[45] **Date of Patent: ** Jul. 11, 2000**

[54] **RUSTICATION JOINT FORMING EXTRUSION**

[75] Inventors: **Kurt S. Eyring; Kyozauro Takagi**, both of Centerville; **Matthew Packer**, West Carrollton, all of Ohio

[73] Assignee: **Miller-Valentine Construction Inc.**, Dayton, Ohio

[**] Term: **14 Years**

[21] Appl. No.: **29/109,323**

[22] Filed: **Aug. 13, 1999**

[51] **LOC (7) Cl.** **25-01**

[52] **U.S. Cl.** **D25/121**

[58] **Field of Search** 52/396.02, 396.04; D25/121

[56] **References Cited**

U.S. PATENT DOCUMENTS

D. 388,182	12/1997	Payton et al.	D25/121
4,198,176	4/1980	Bentz	52/396.02
6,018,922	2/2000	McKinnon	52/700

Primary Examiner—Doris Clark
Attorney, Agent, or Firm—Jacox, Meckstroth & Jenkins

[57] **CLAIM**

The ornamental design of a rustication joint forming extrusion, as shown and described.

DESCRIPTION

The FIGURE is a perspective view of a rustication joint forming extrusion showing our new design.

1 Claim, 1 Drawing Sheet

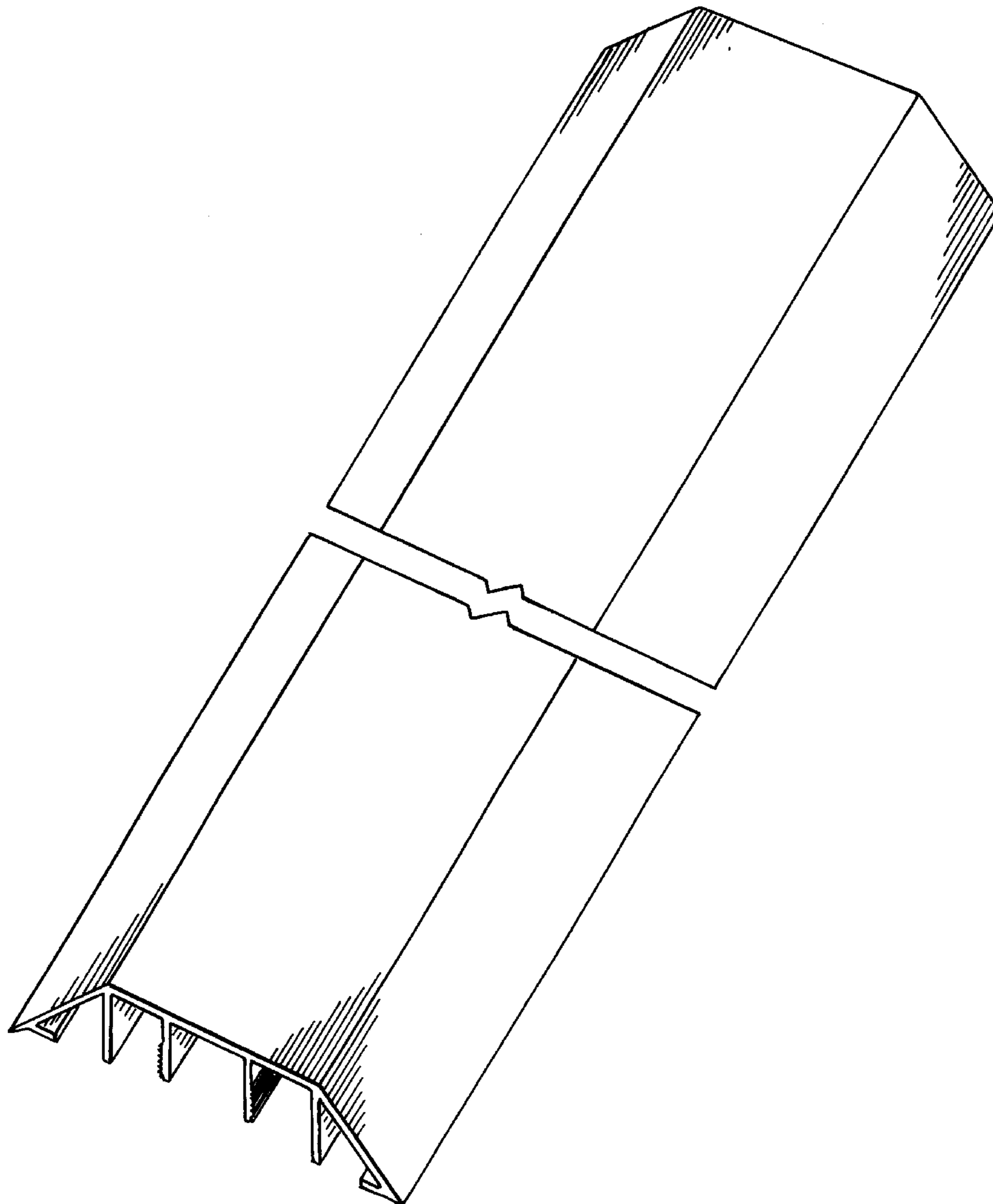


FIG-1

