



US00D428156S

United States Patent [19]
Sjöholm

[11] **Patent Number: Des. 428,156**

[45] **Date of Patent: ** Jul. 11, 2000**

[54] **RAILING PROFILE ELEMENT**

Attorney, Agent, or Firm—Altera Law Group LLC

[76] Inventor: **Jarmo Sjöholm**, Hiekkamäentie 6,
Söderkulla, Finland, FIN-01150

[57] **CLAIM**

[**] Term: **14 Years**

The ornamental design for a railing profile element, as shown and described.

[21] Appl. No.: **29/093,825**

DESCRIPTION

[22] Filed: **Sep. 18, 1998**

FIG. 1 is a front, top and left side perspective view of one embodiment of a railing profile element;

[30] **Foreign Application Priority Data**

Mar. 18, 1998 [FI] Finland M19980195

FIG. 2 is a front view with rear view a mirror image thereof;

[51] **LOC (7) Cl.** **25-02**

FIG. 3 is a right side view thereof;

[52] **U.S. Cl.** **D25/38**

FIG. 4 is a left side view thereof;

[58] **Field of Search** D25/38, 43, 44;
256/59

FIG. 5 is a top plan view thereof;

FIG. 6 is a bottom plan view thereof;

[56] **References Cited**

U.S. PATENT DOCUMENTS

D. 344,592 2/1994 Zaccai et al. D25/38

D. 353,466 12/1994 McCue et al. D25/38

FIG. 7 is a front, top and left side perspective view of a second embodiment of a railing profile element;

FIG. 8 is a front view with rear view a mirror image thereof;

FIG. 9 is a right side view thereof;

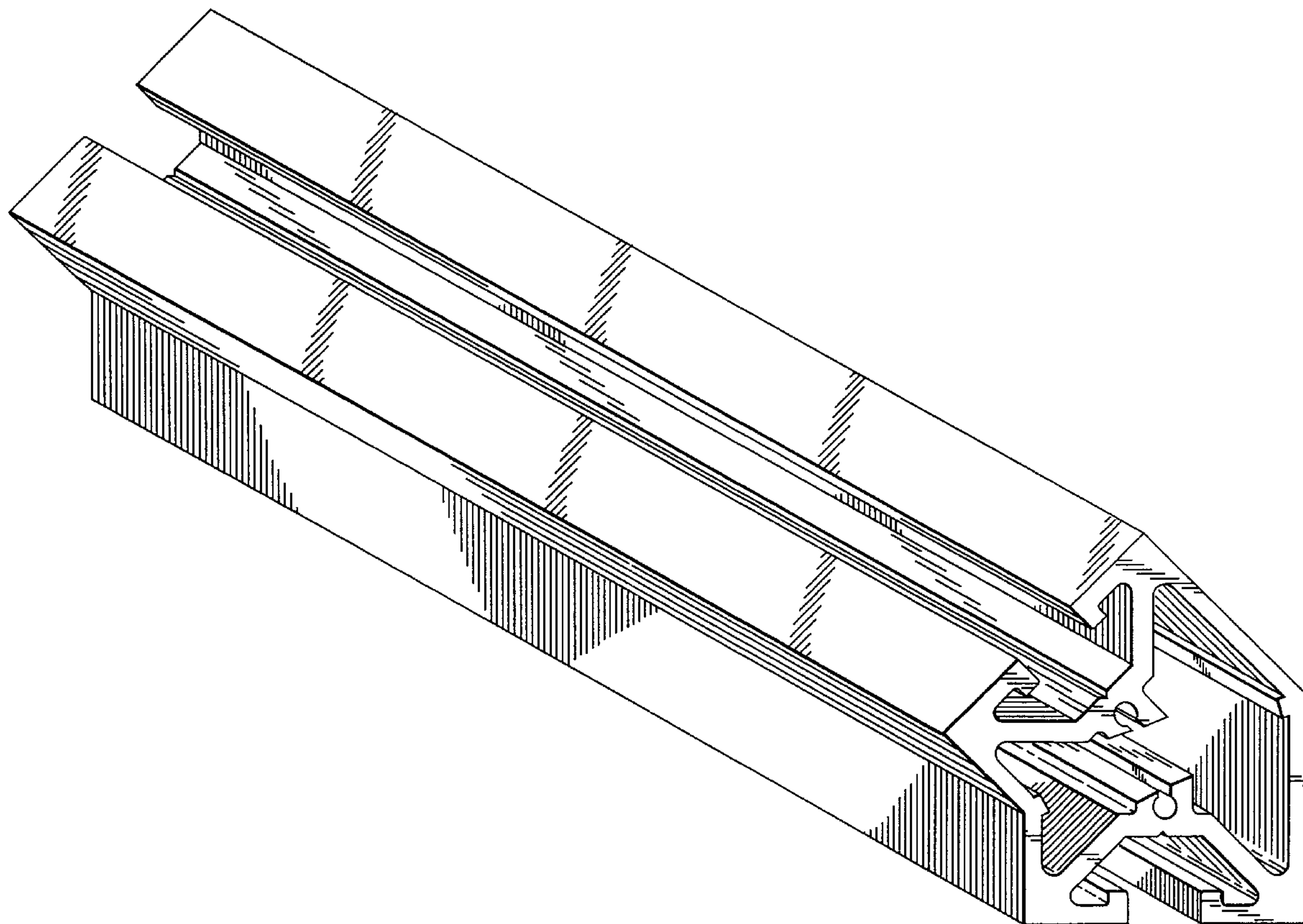
FIG. 10 is a left side view thereof;

FIG. 11 is a top plan view thereof; and,

FIG. 12 is a bottom plan view thereof.

Primary Examiner—Doris Clark

1 Claim, 8 Drawing Sheets



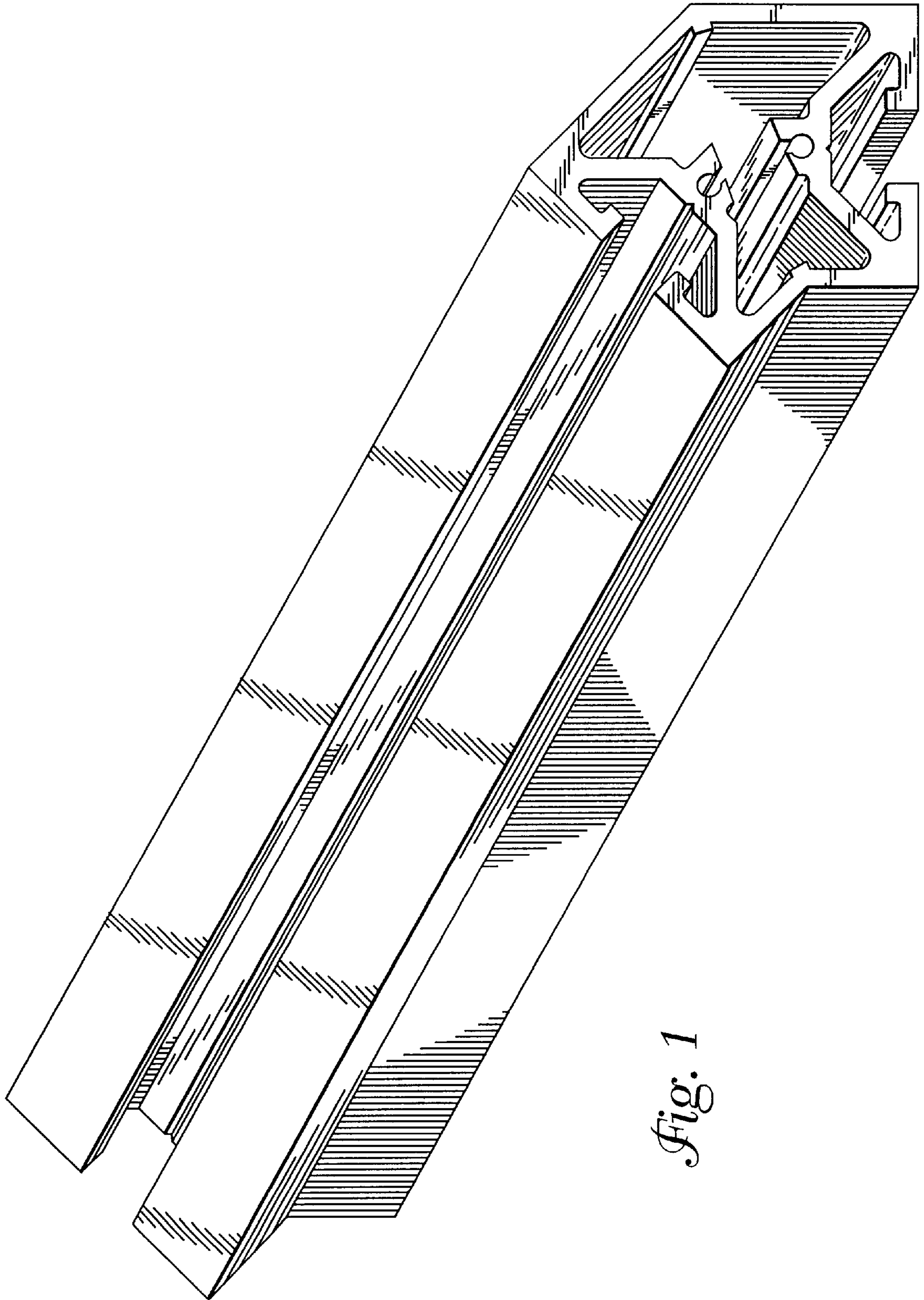


Fig. 1

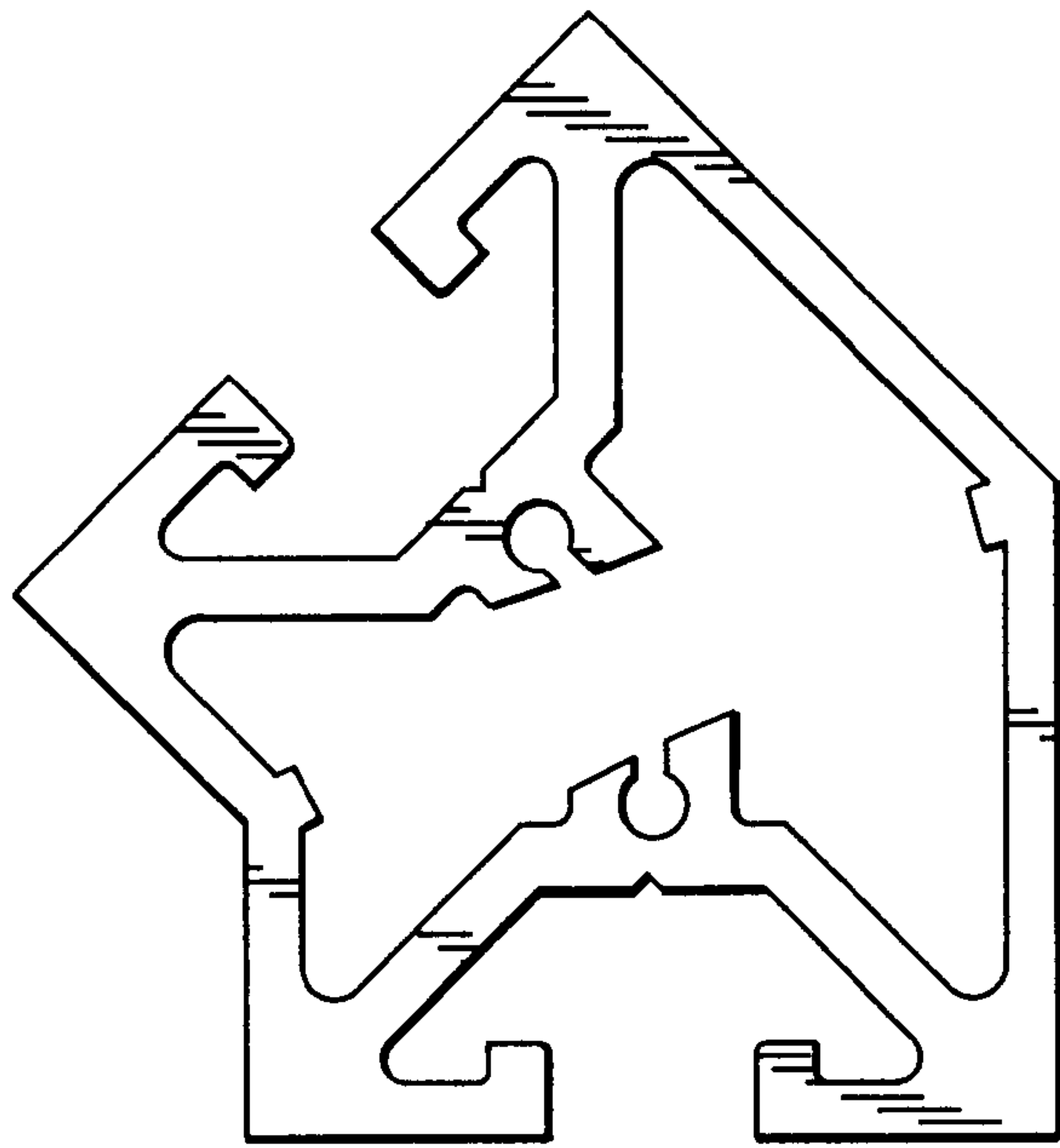


Fig. 2

Fig. 3

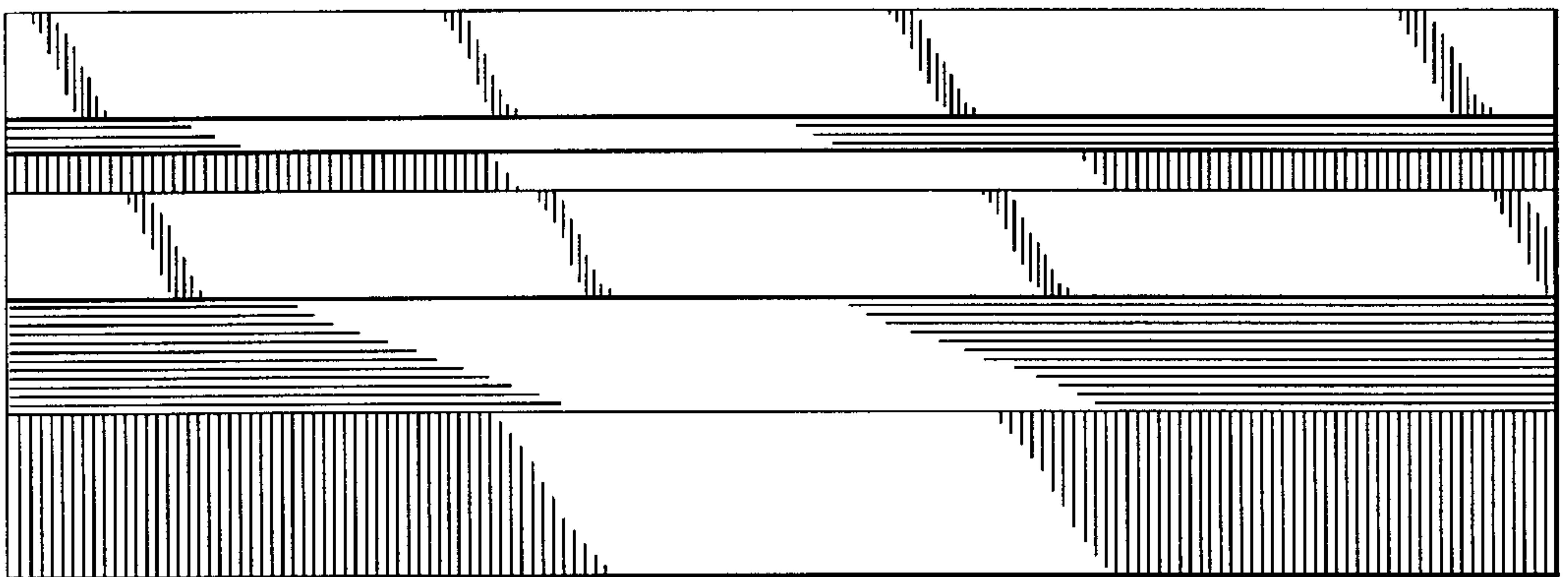
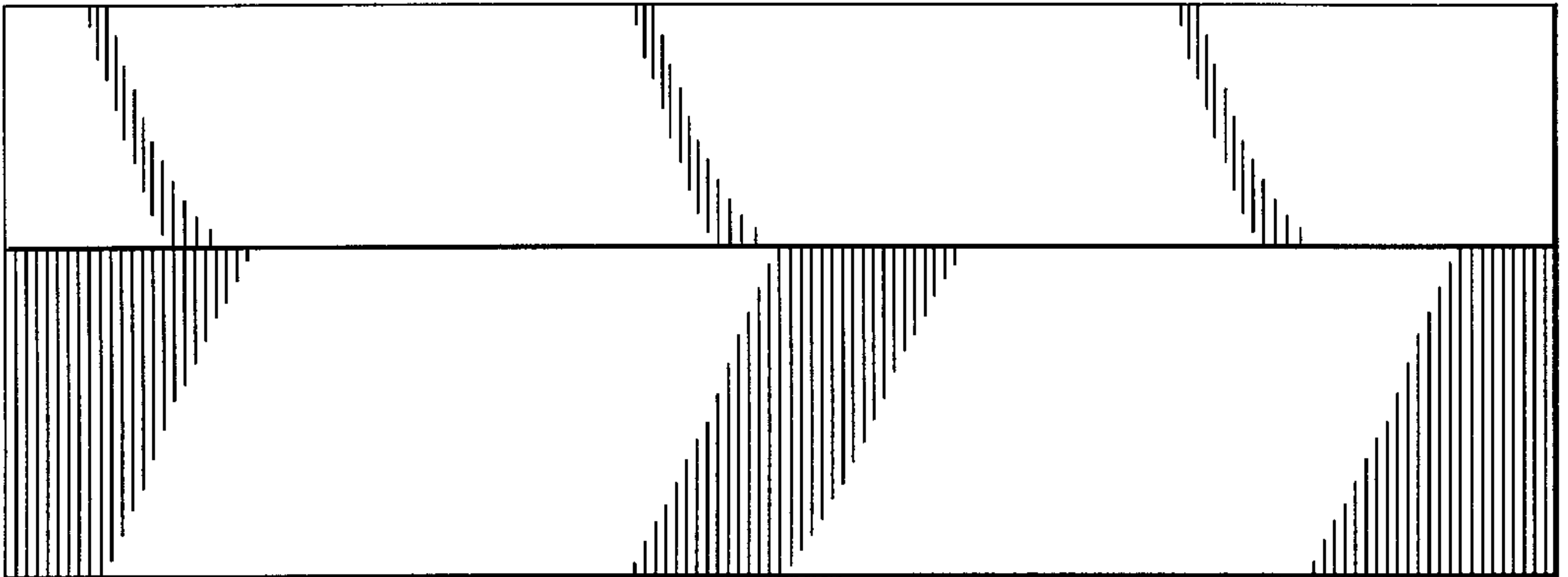


Fig. 4

Fig. 5

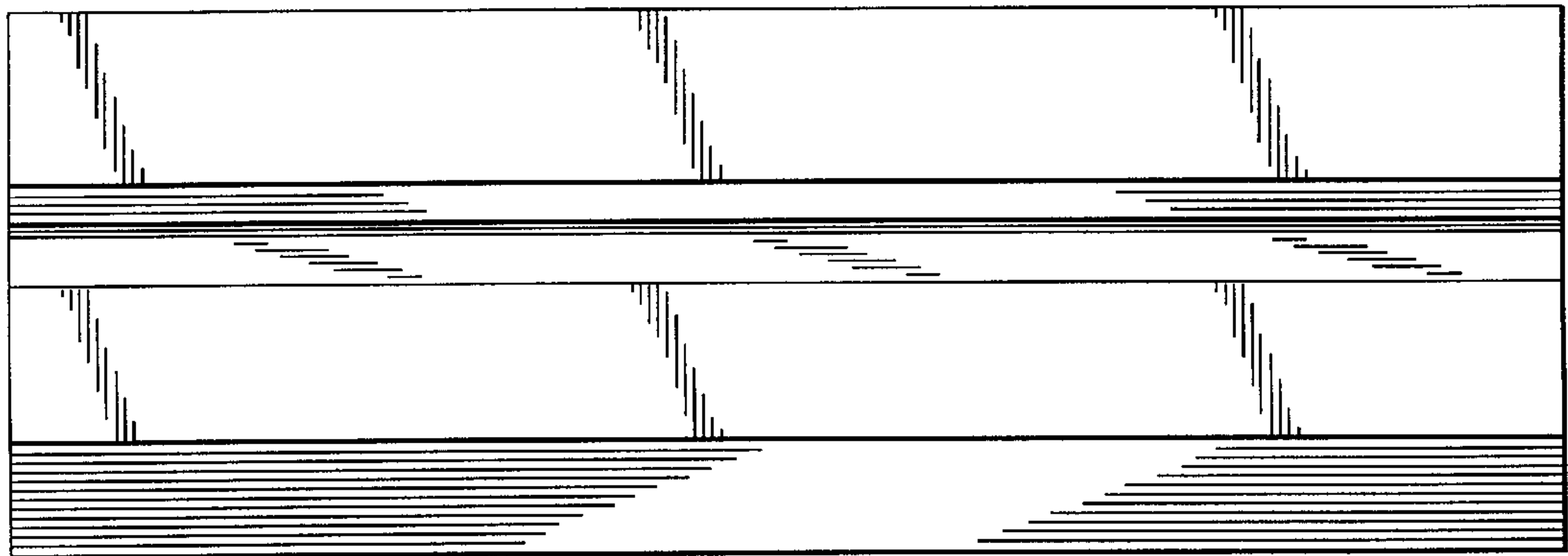
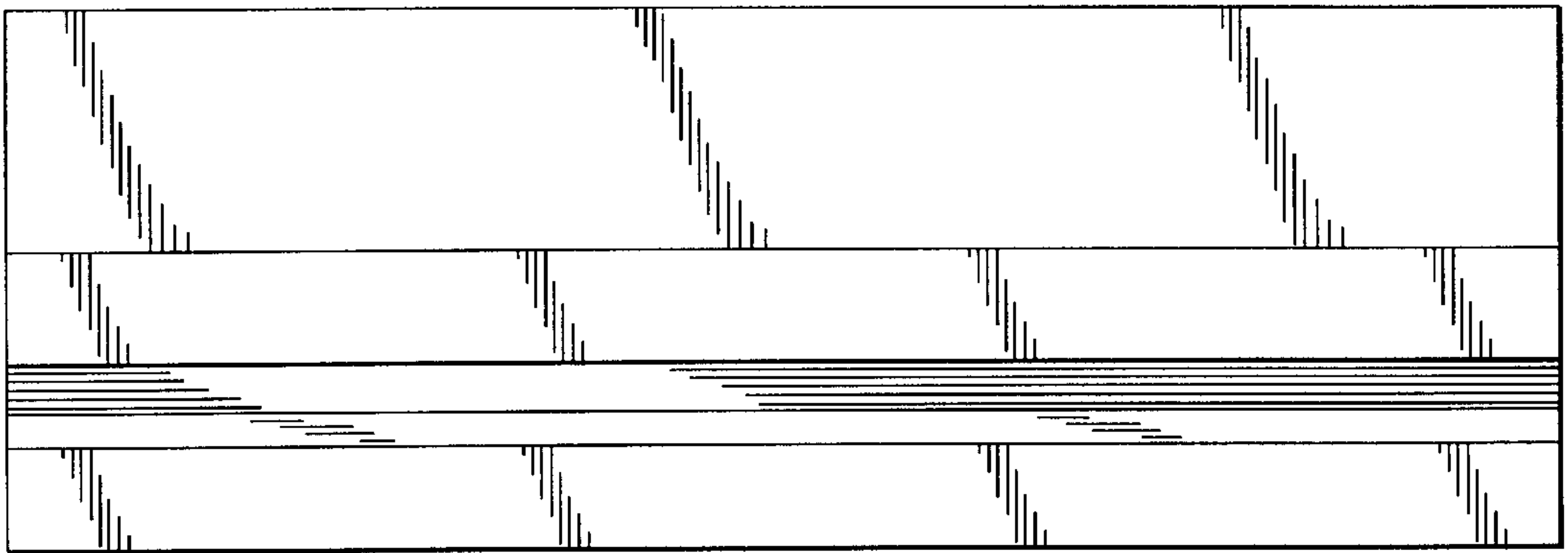


Fig. 6

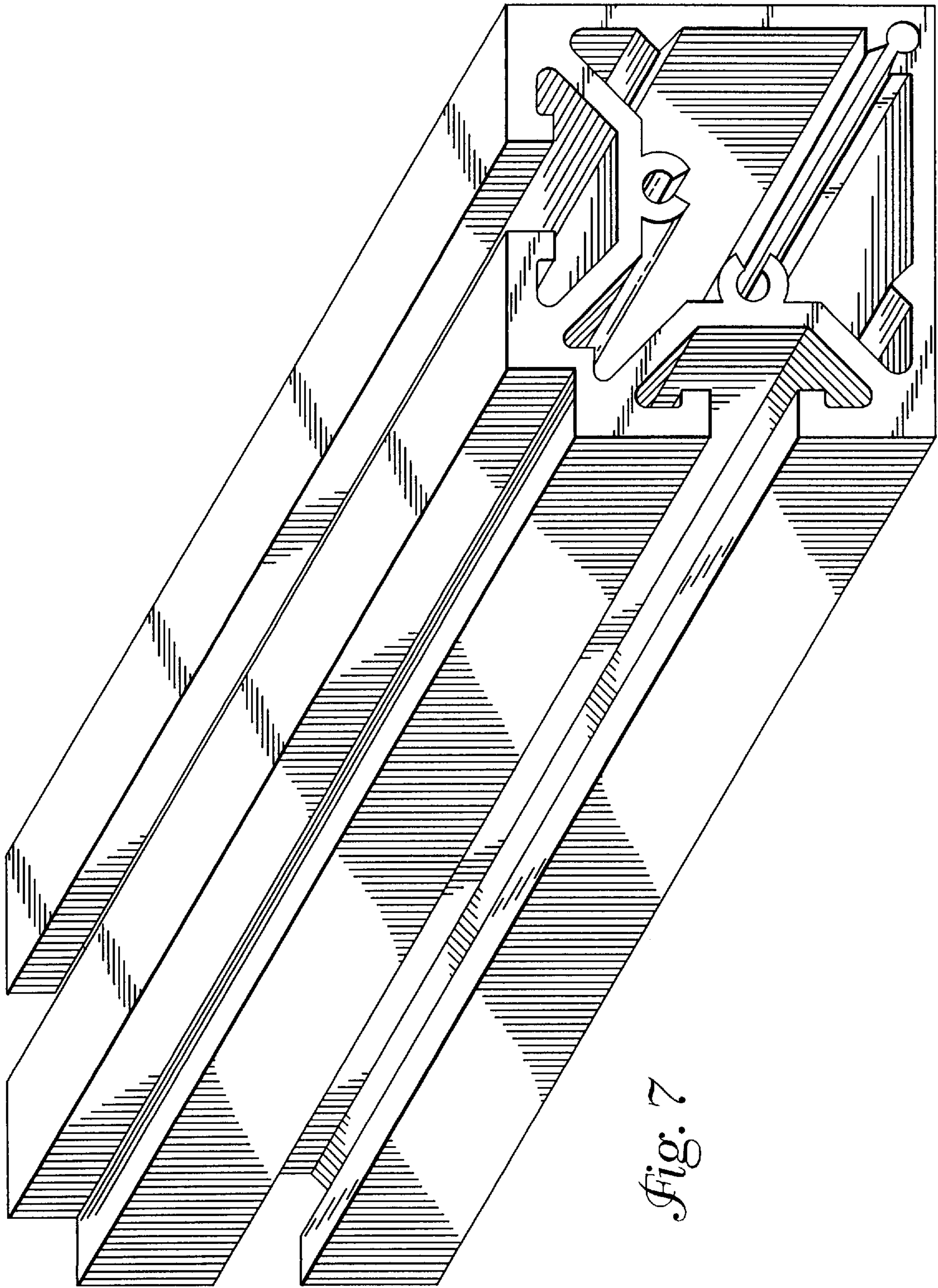


Fig. 7

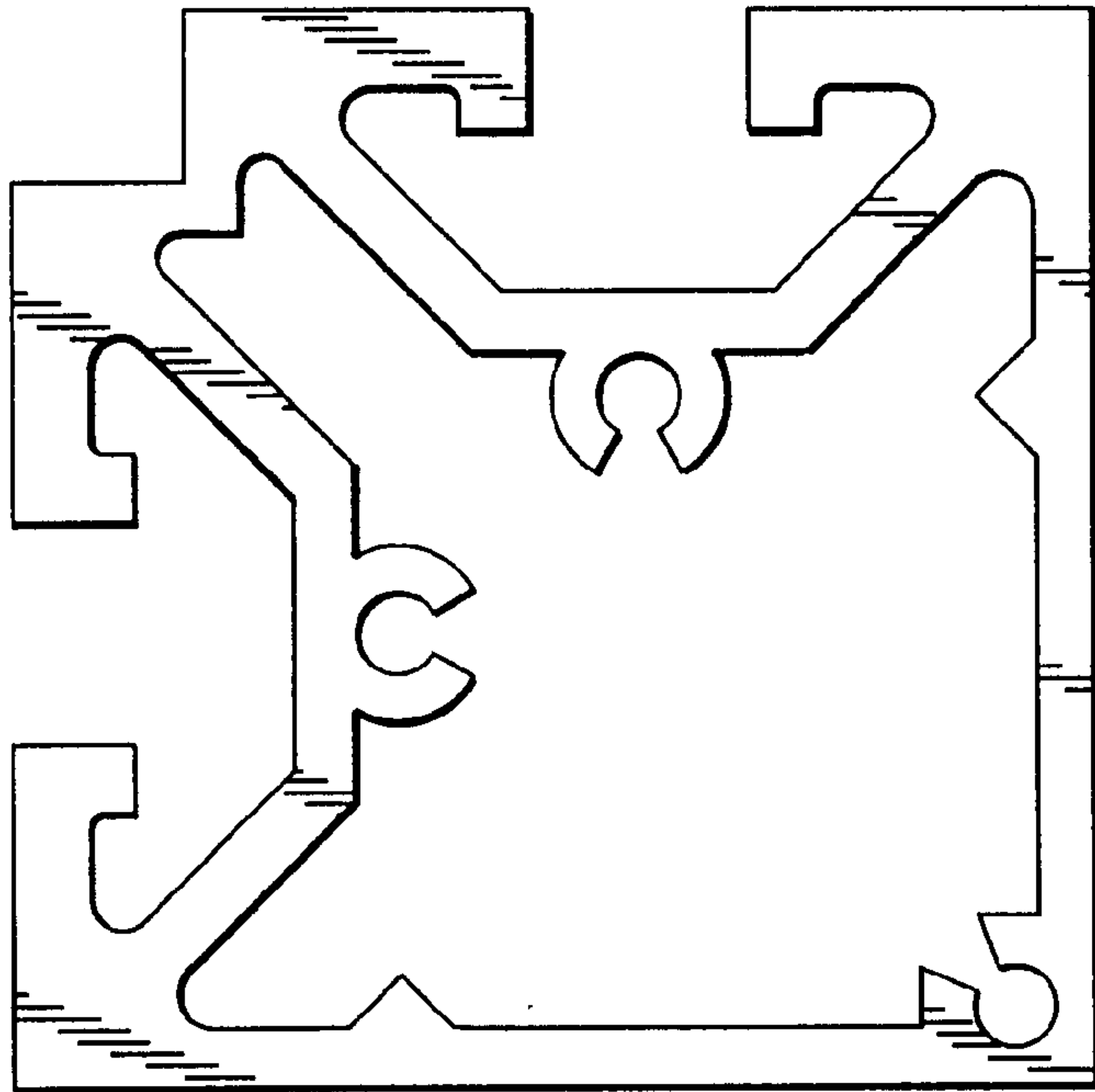


Fig. 8

Fig. 9

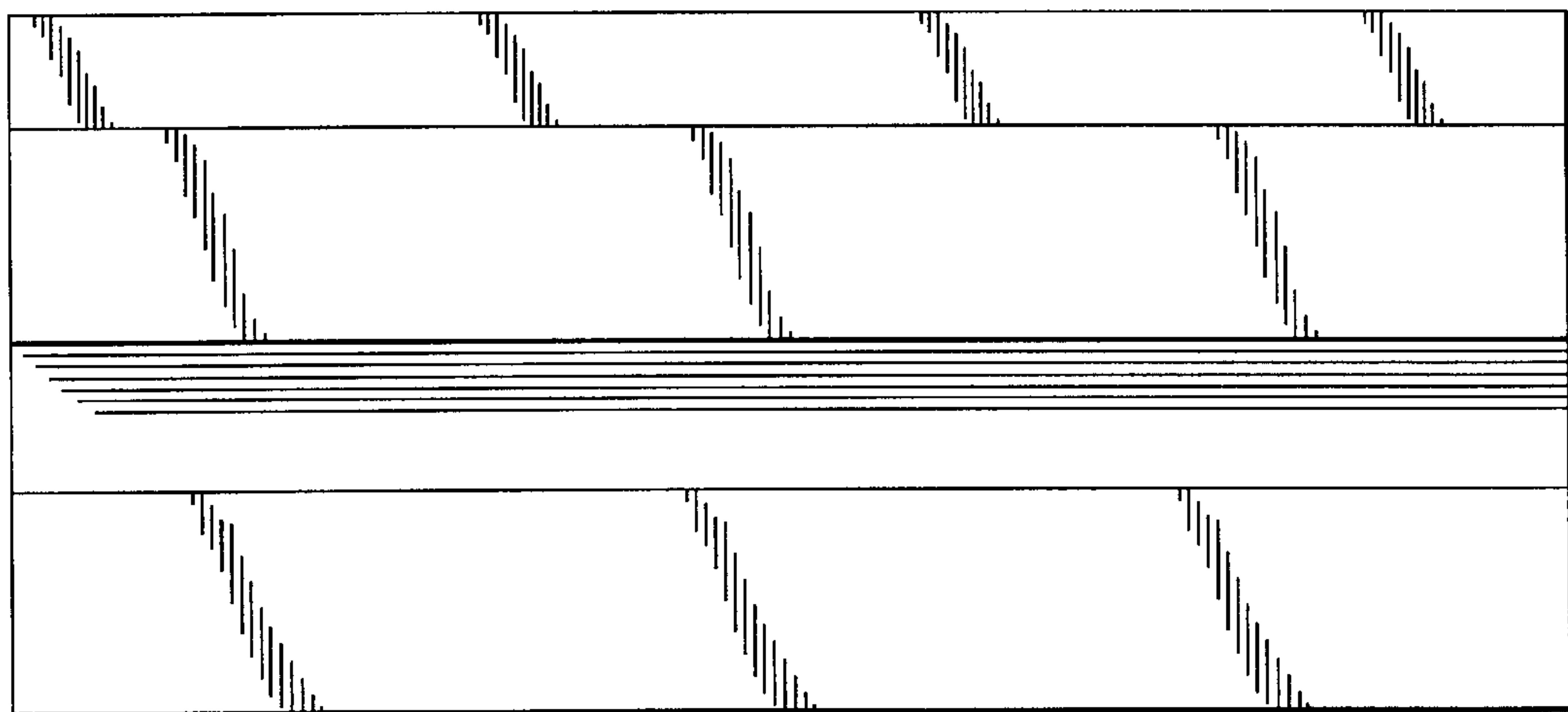
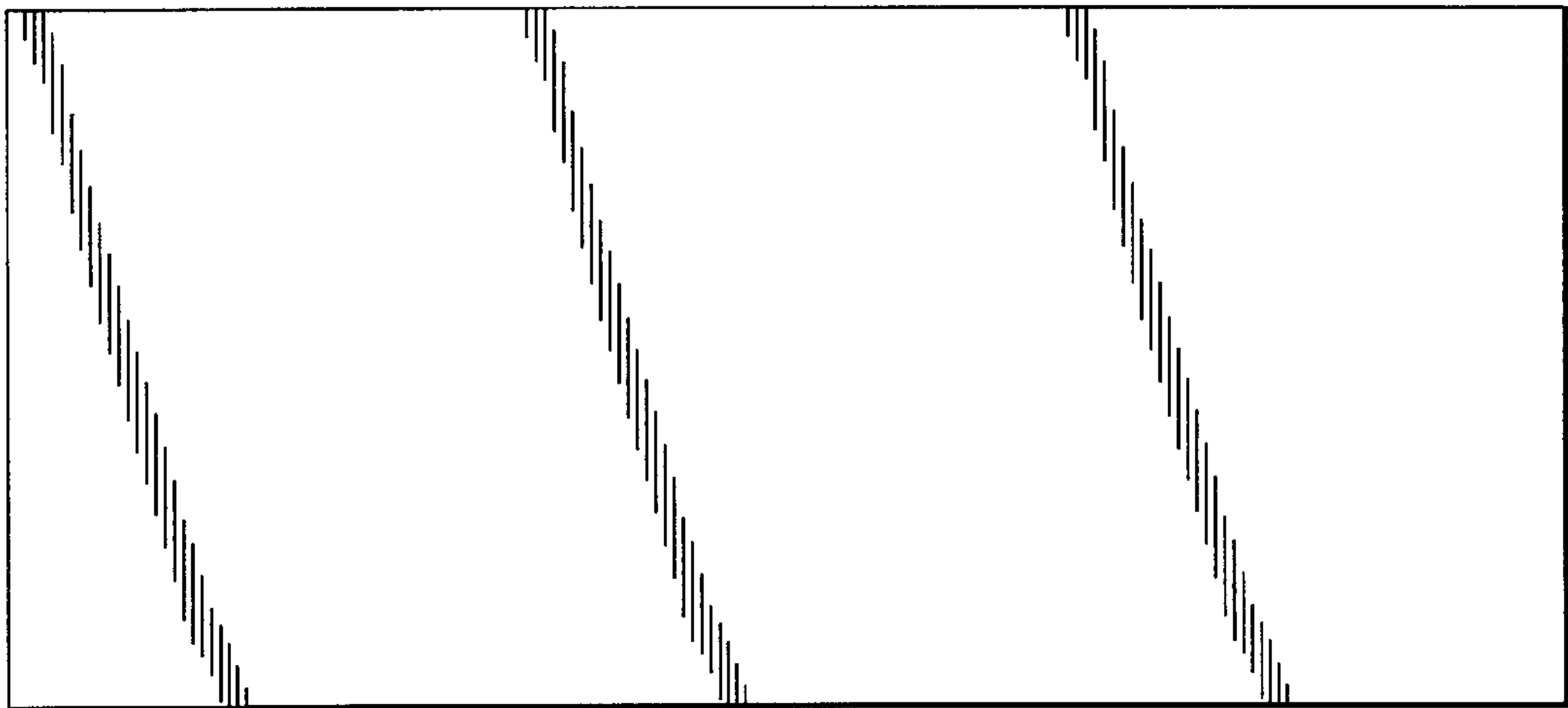


Fig. 10

Fig. 11

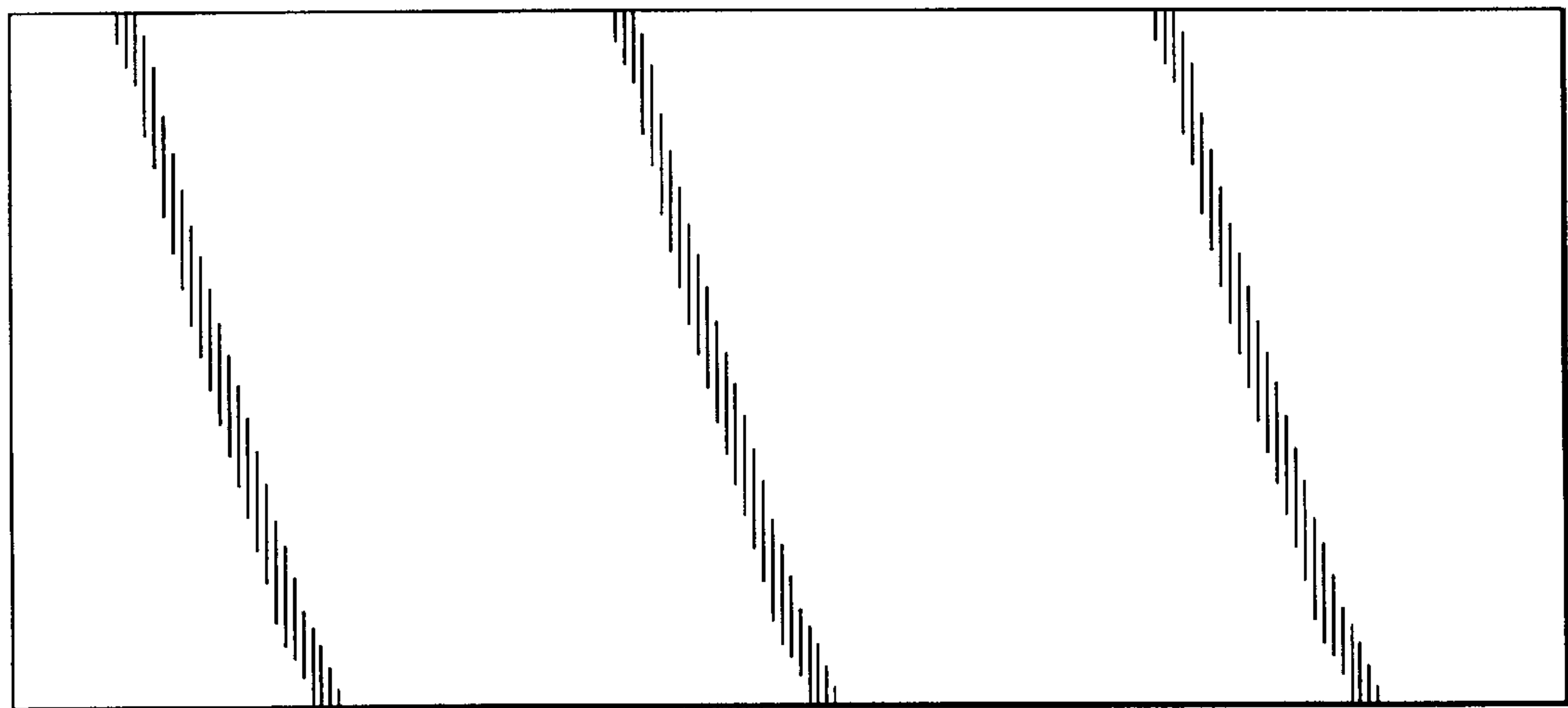
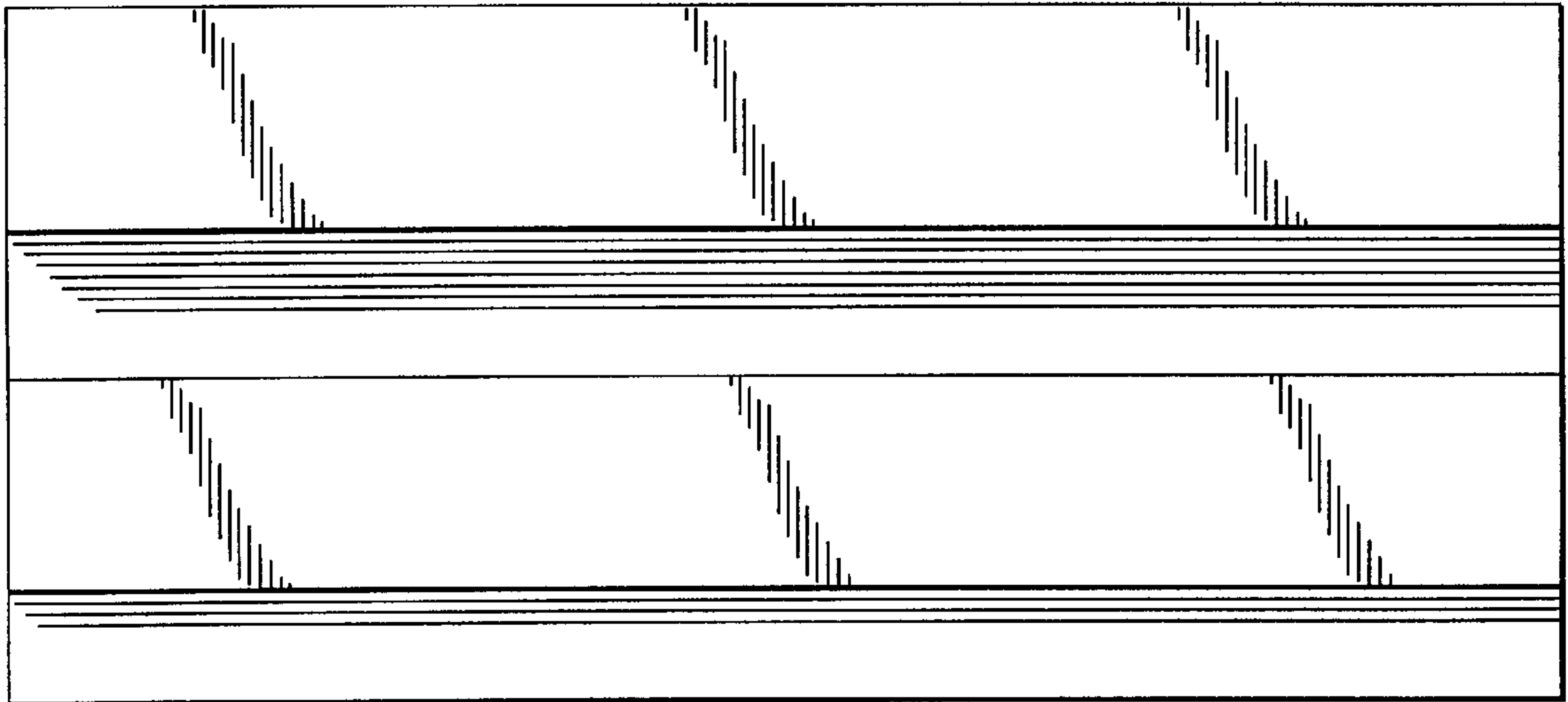


Fig. 12