



US00D428154S

**United States Patent** [19]  
**Shaw et al.**

[11] **Patent Number: Des. 428,154**  
[45] **Date of Patent: \*\* Jul. 11, 2000**

[54] **NURSING BOTTLE HOLDER**  
[75] Inventors: **Robert W. Shaw**, Piscataway, N.J.;  
**Paul Dowd**, Bronxville, N.Y.

5,540,341 7/1996 Holley et al. .  
5,551,583 9/1996 Sachathamakul et al. .  
5,588,548 12/1996 Brankley .

[73] Assignee: **Johnson & Johnson Consumer Products, Inc.**, Skillman, N.J.

**FOREIGN PATENT DOCUMENTS**

0 061 868 A1 10/1982 European Pat. Off. .  
0 414 673B1 3/1994 European Pat. Off. .  
2 109 247 6/1983 United Kingdom .  
2 277 452A 11/1994 United Kingdom .  
WO 91/03225 3/1991 WIPO .  
WO 92/01435 2/1992 WIPO .  
WO 92/14437 9/1992 WIPO .

[\*\*] Term: **14 Years**

[21] Appl. No.: **29/105,260**

[22] Filed: **May 20, 1999**

**Related U.S. Application Data**

*Primary Examiner*—Stella Reid  
*Attorney, Agent, or Firm*—Michele G. Mangini

[62] Division of application No. 29/073,807, Jul. 17, 1997, Pat. No. Des. 413,983.

[57] **CLAIM**

The ornamental design for a nursing bottle holder, as shown and described.

[51] **LOC (7) Cl.** ..... **07-01**

[52] **U.S. Cl.** ..... **D24/199**

[58] **Field of Search** ..... D24/199, 197;  
248/102, 103, 104, 105, 106, 107; 215/11.1–11.6

**DESCRIPTION**

FIG. 1 is a perspective view of the nursing bottle holder of this invention.

FIG. 2 is a front elevational view thereof;

FIG. 3 is side elevational view thereof, the opposite side being a mirror image;

FIG. 4 is a rear elevational view thereof;

FIG. 5 is a top plan view thereof;

FIG. 6 is a bottom plan view thereof;

FIG. 7 is a perspective view similar to FIG. 1; however, the broken line showing of the liner and cap is for illustrative purposes only and does not constitute a part of the design;

FIG. 8 is a perspective view of the nursing bottle holder of this invention shown in another orientation;

FIG. 9 is a front elevational view thereof;

FIG. 10 is side elevational view thereof;

FIG. 11 is a rear elevational view thereof;

FIG. 12 is a top plan view thereof; and,

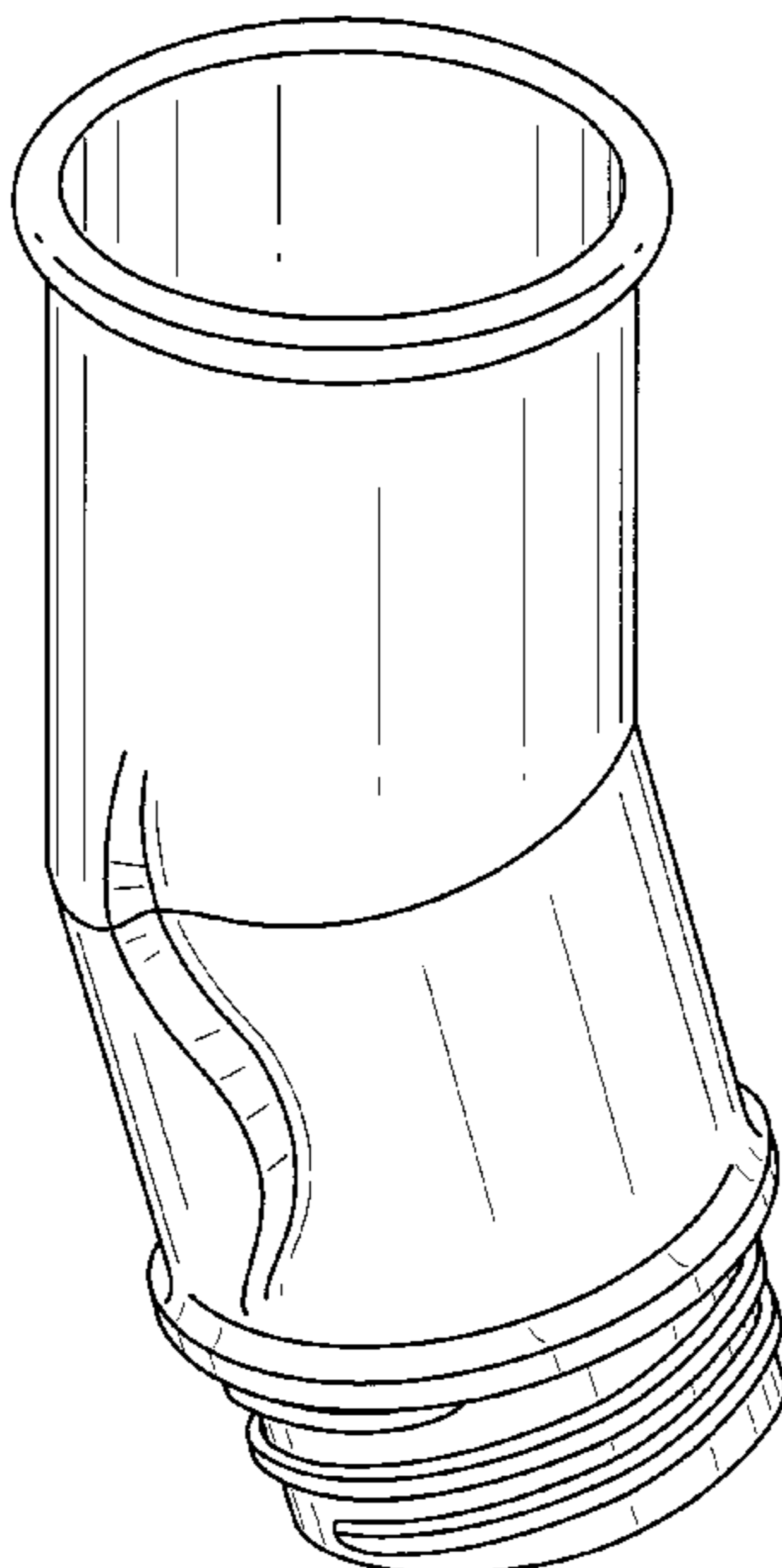
FIG. 13 is a bottom plan view thereof.

[56] **References Cited**

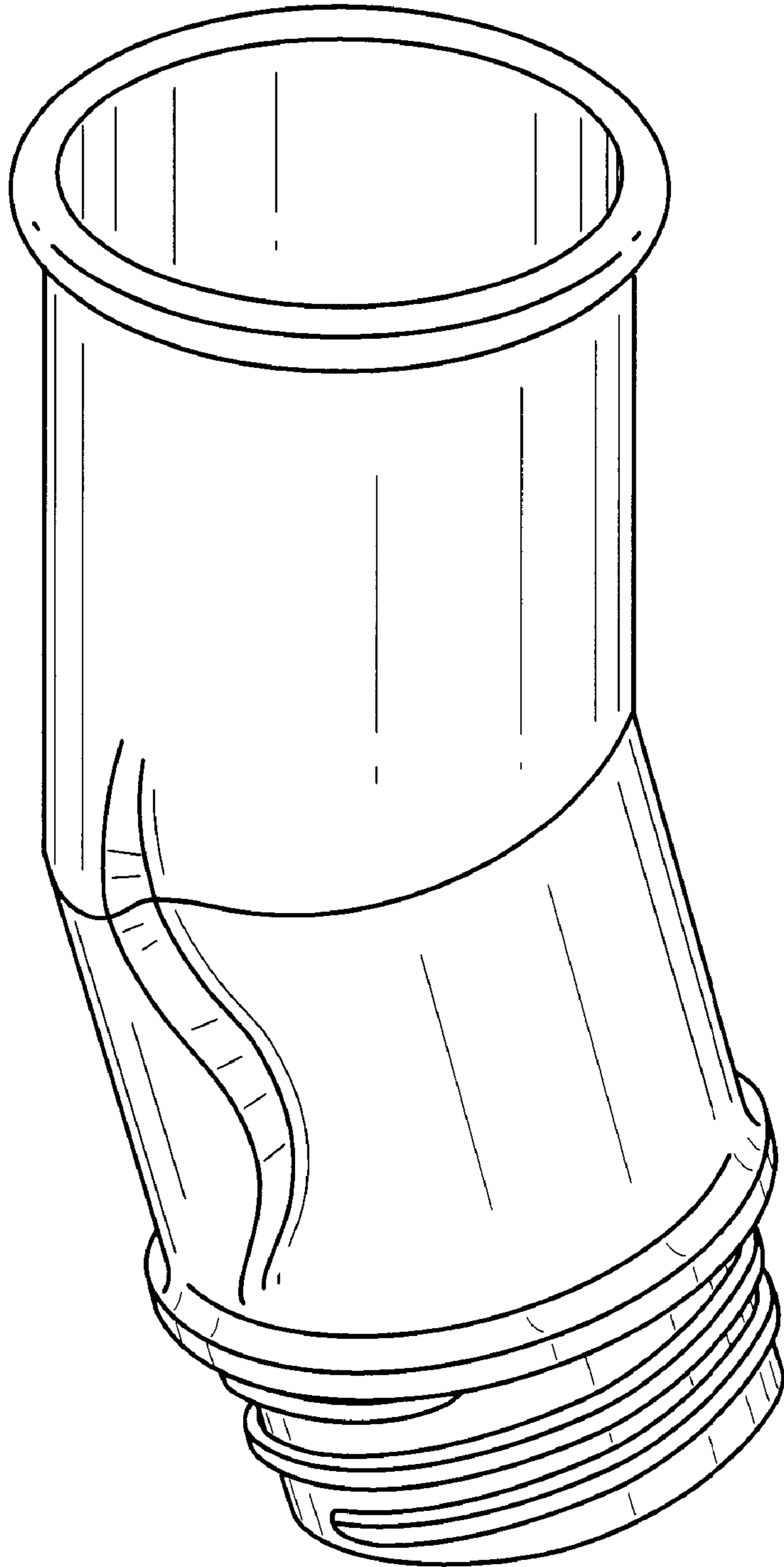
**U.S. PATENT DOCUMENTS**

138,925 9/1873 Ostrin et al. .  
D. 298,970 12/1988 Dirks ..... D24/199  
D. 300,560 4/1989 Losito ..... D24/199  
D. 310,417 9/1990 Herritz ..... D24/197  
D. 315,959 4/1991 Bilangi ..... D24/199  
D. 325,973 5/1992 Chen et al. .... D24/197  
D. 326,523 5/1992 Chen et al. .... D24/197  
371,849 7/1887 Thom .  
376,430 12/1888 Humphrey et al. .  
3,061,129 10/1962 FitzGerald .  
3,071,272 1/1963 Doner .  
3,145,867 8/1964 Roberts et al. .  
3,762,542 10/1973 Grimes .  
4,676,387 6/1987 Stephenson et al. .  
4,813,556 3/1989 Lawrence .  
4,925,042 5/1990 Chong .  
5,509,549 4/1996 Marandola .

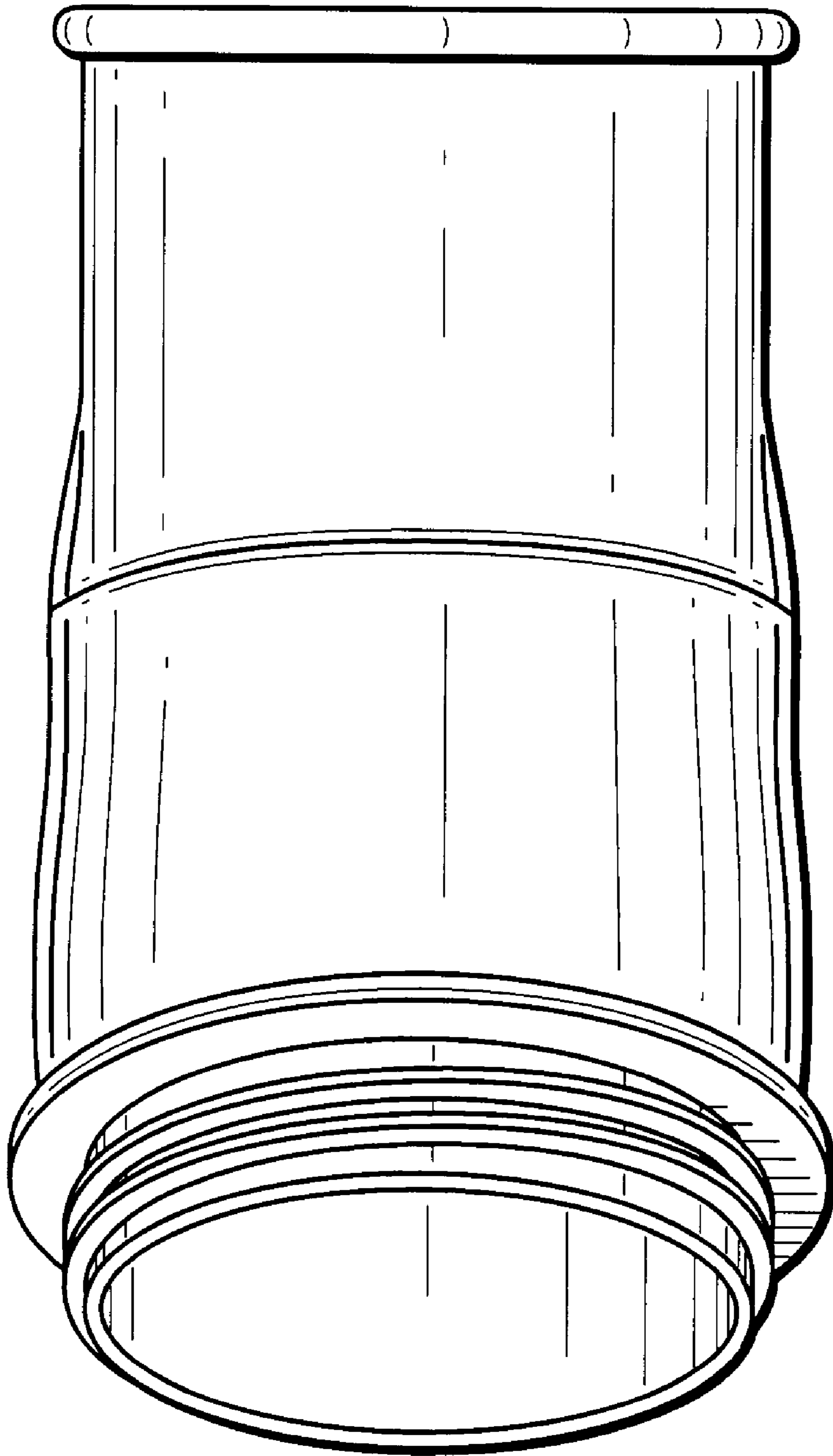
**1 Claim, 11 Drawing Sheets**



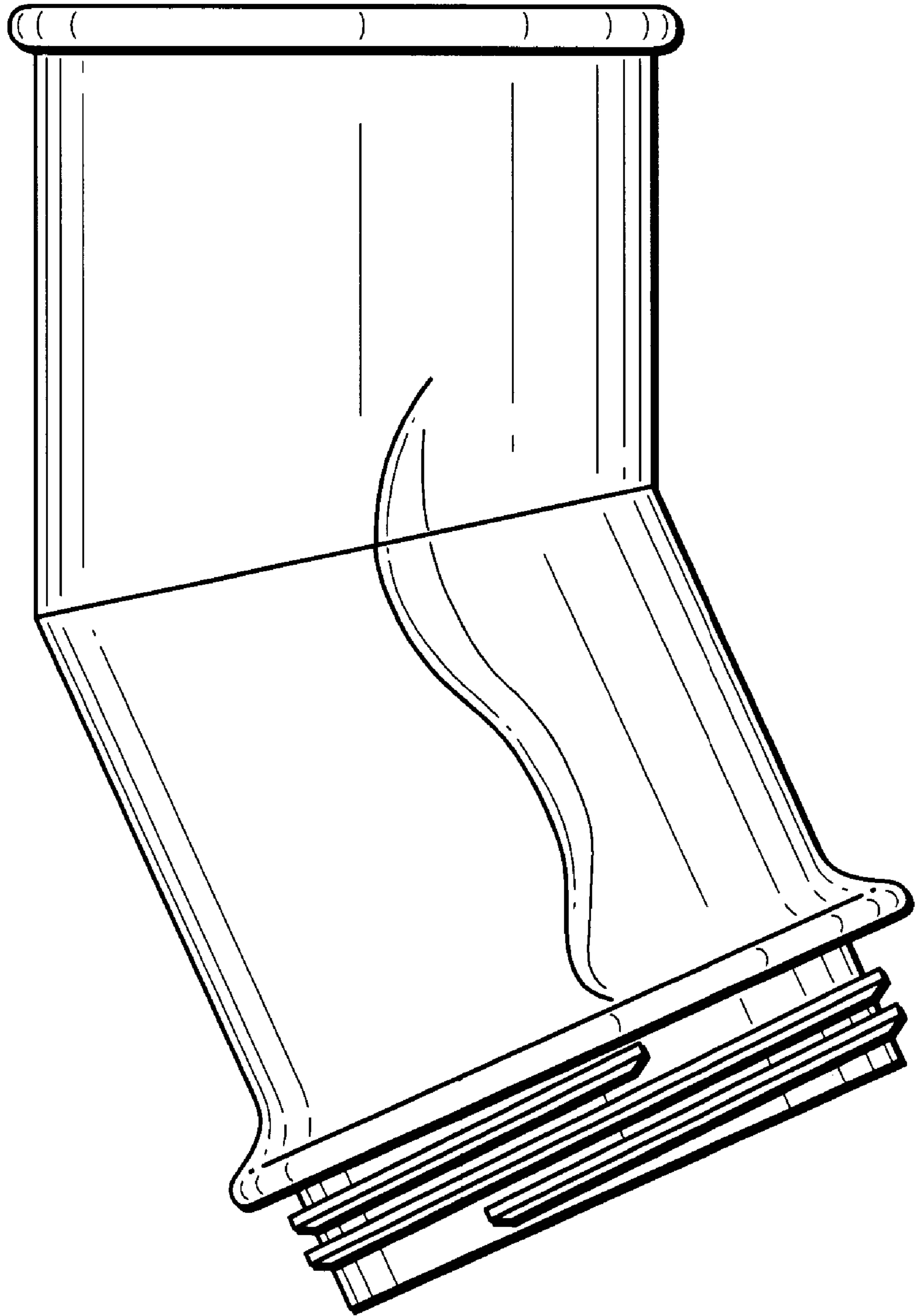
***FIG. 1***



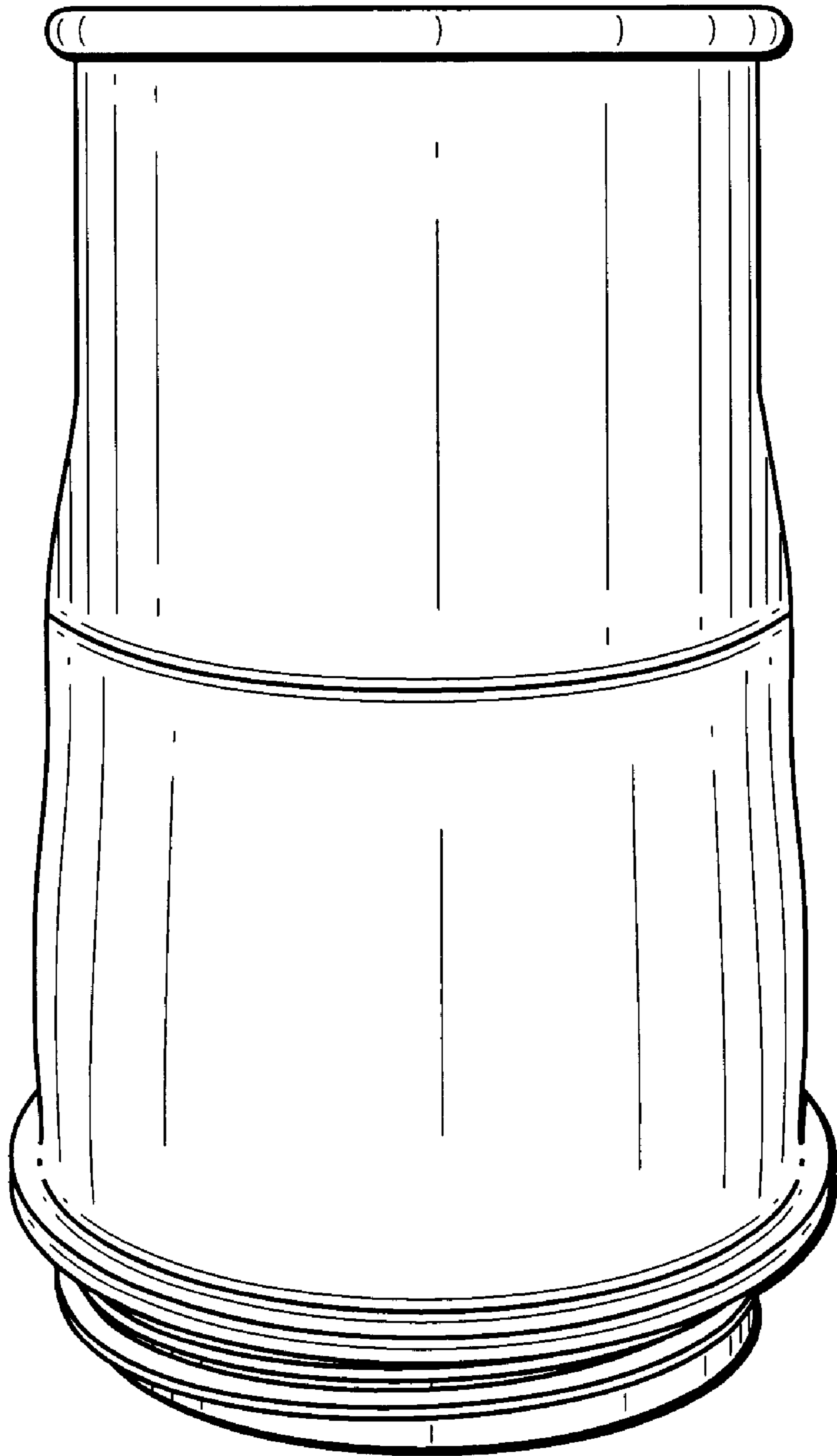
# FIG. 2



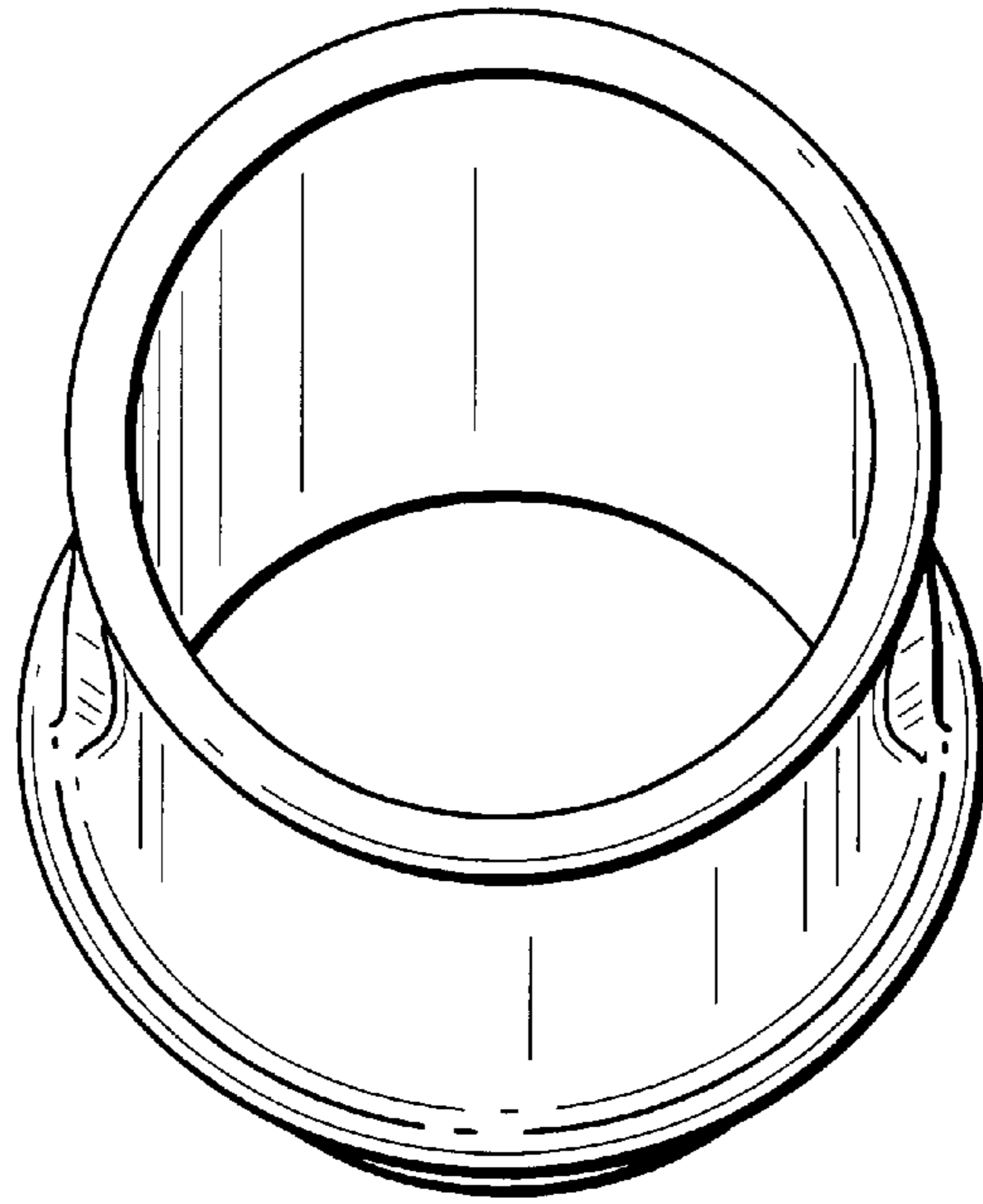
# FIG. 3



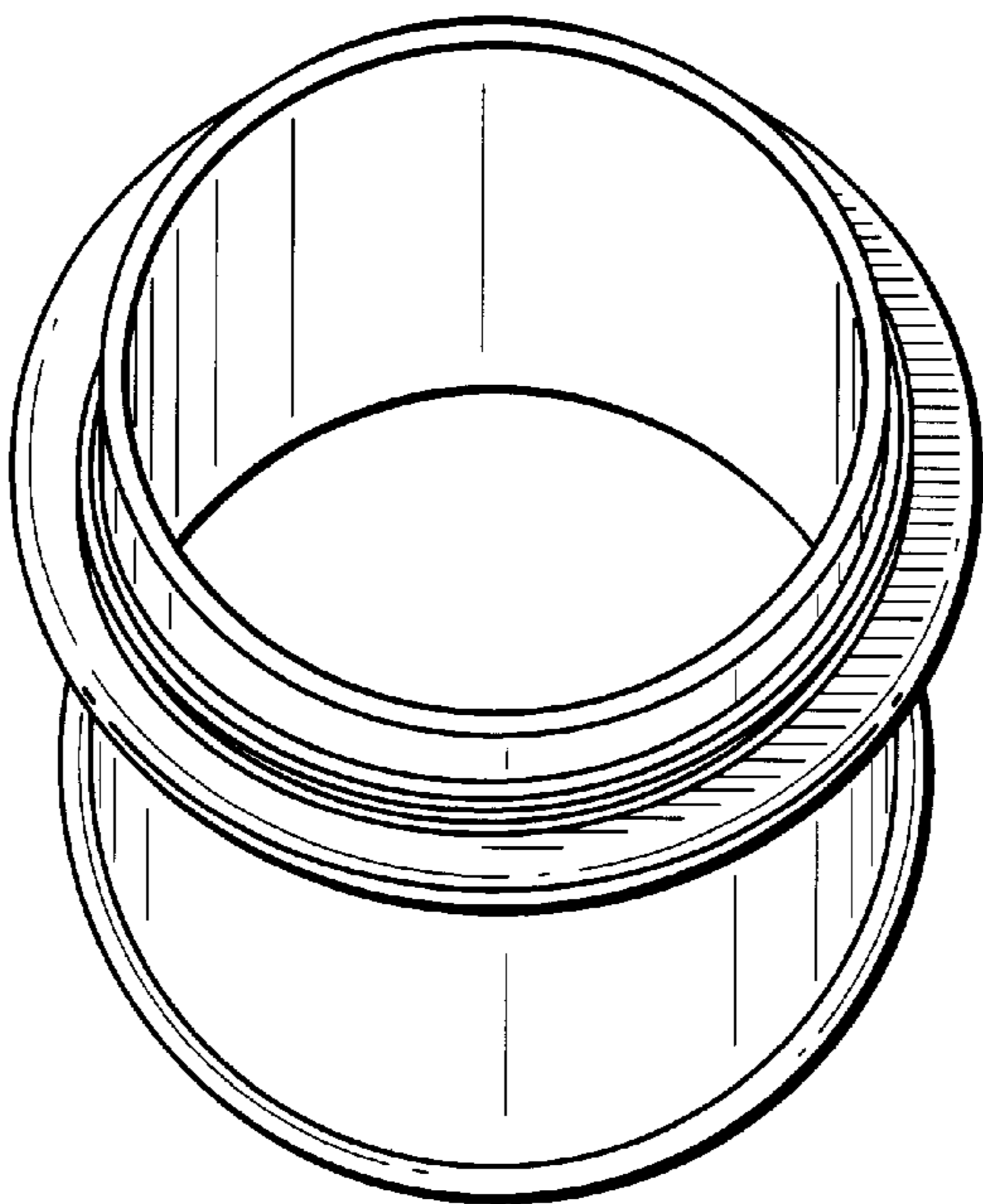
# FIG. 4



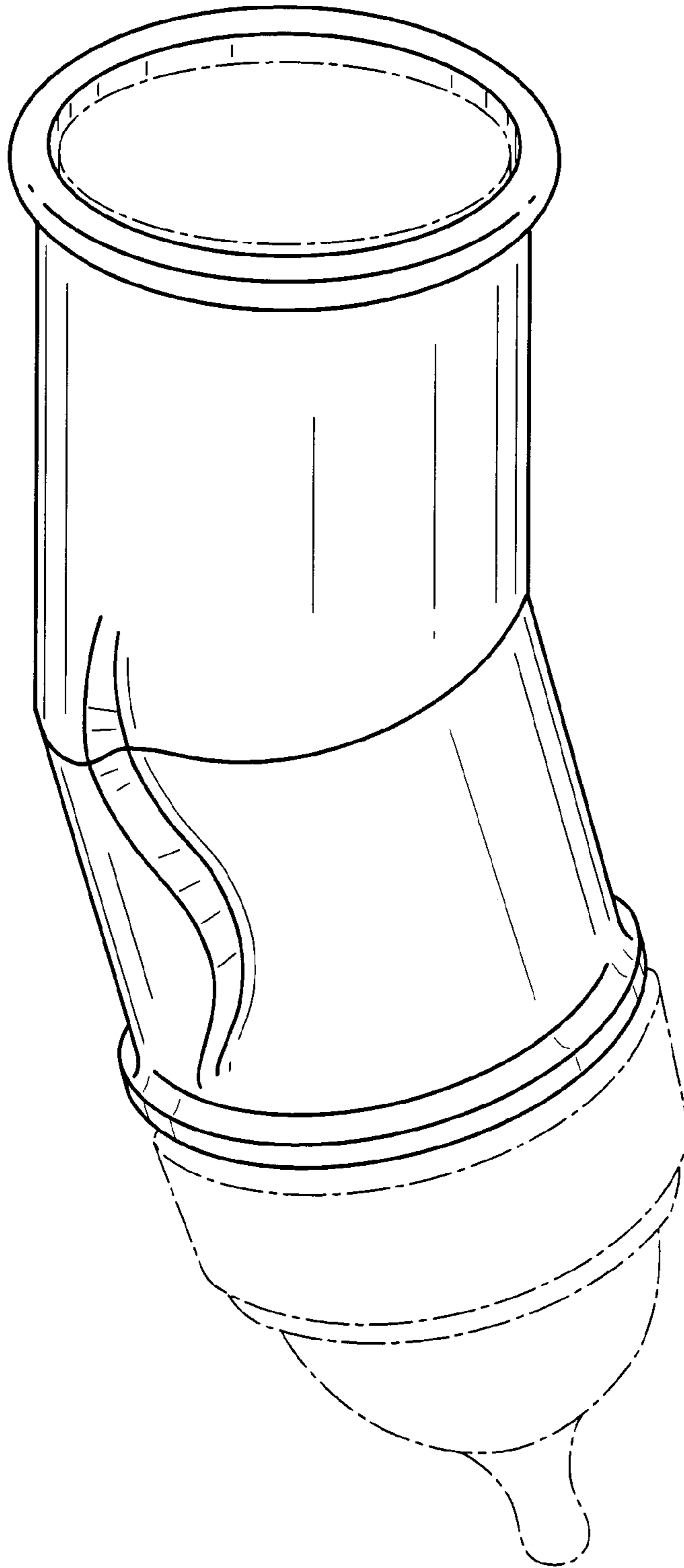
**FIG. 5**



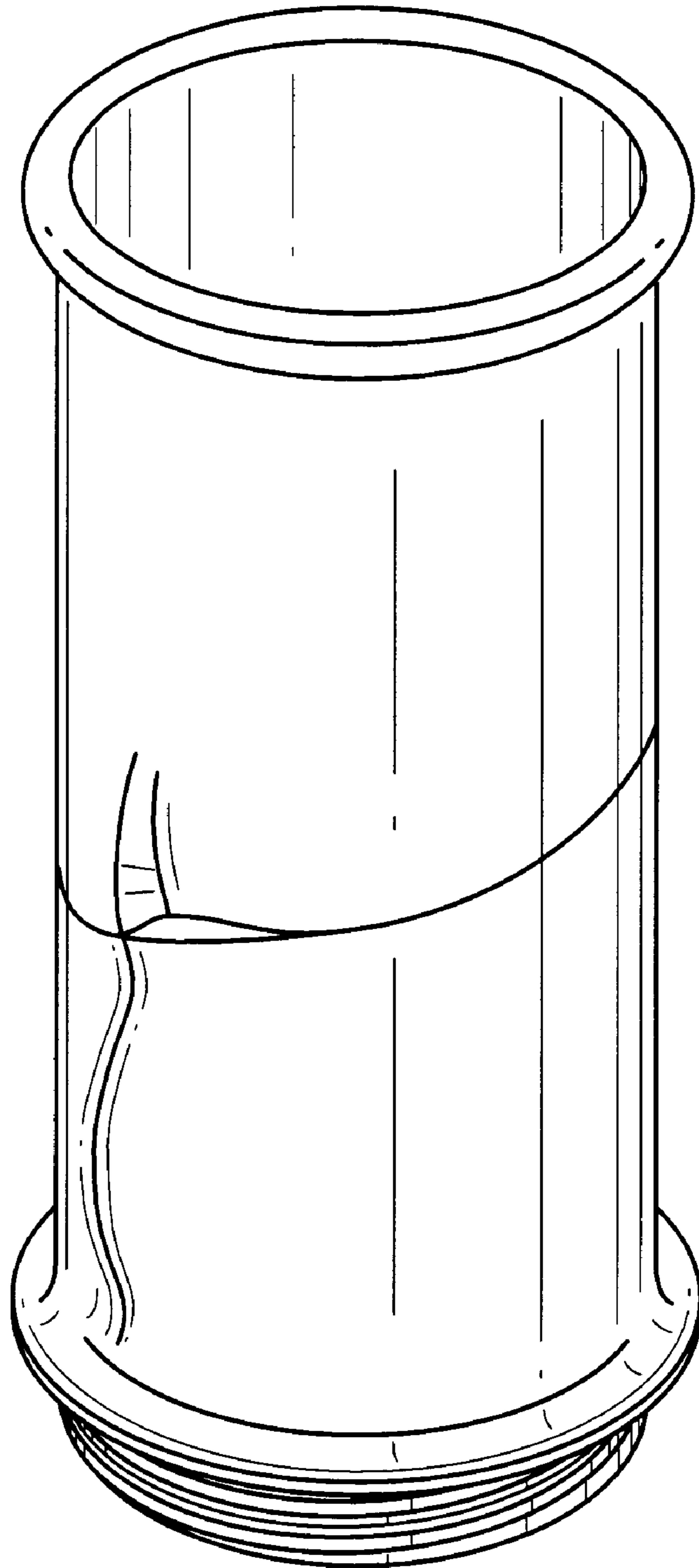
**FIG. 6**



**FIG. 7**

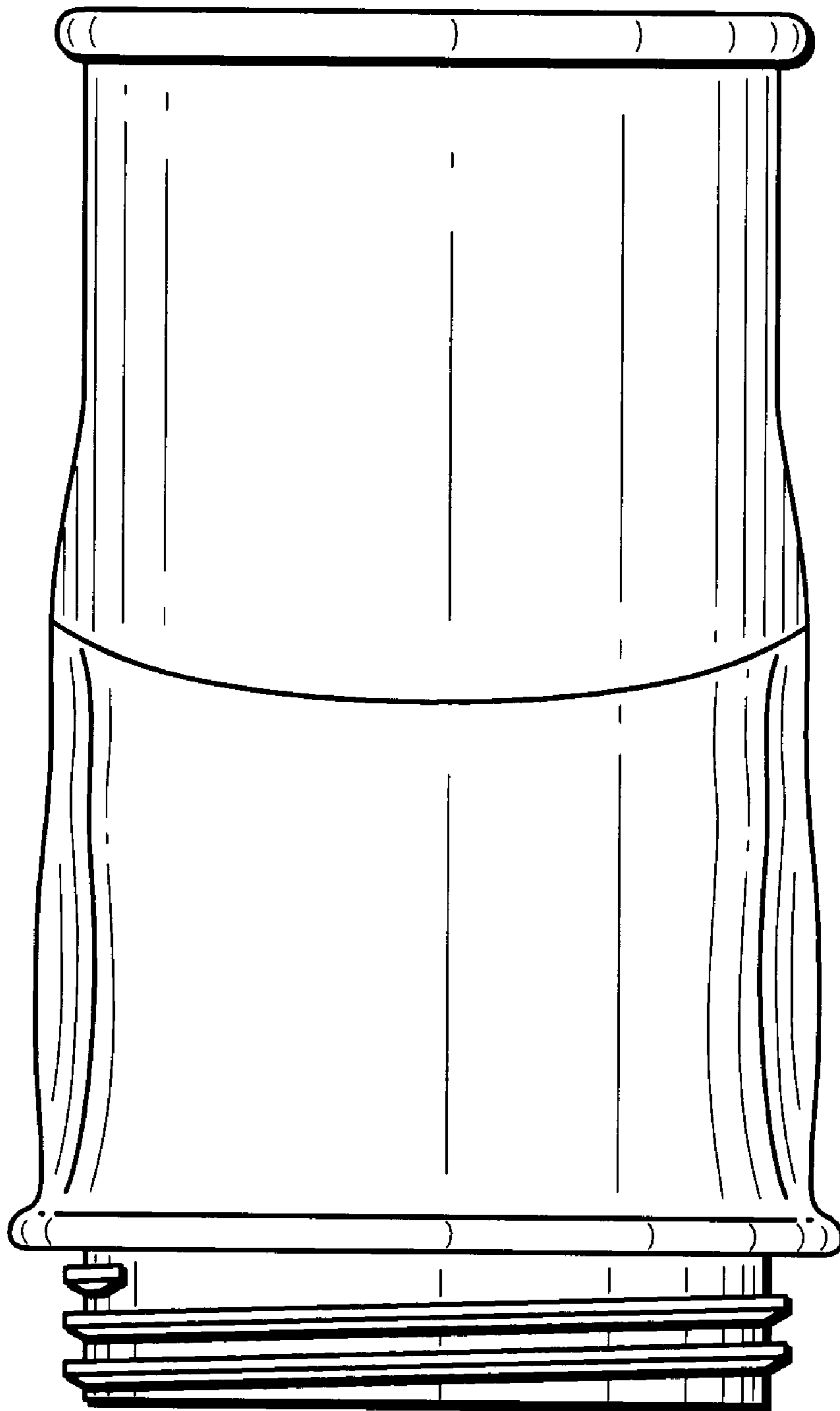


**FIG. 8**

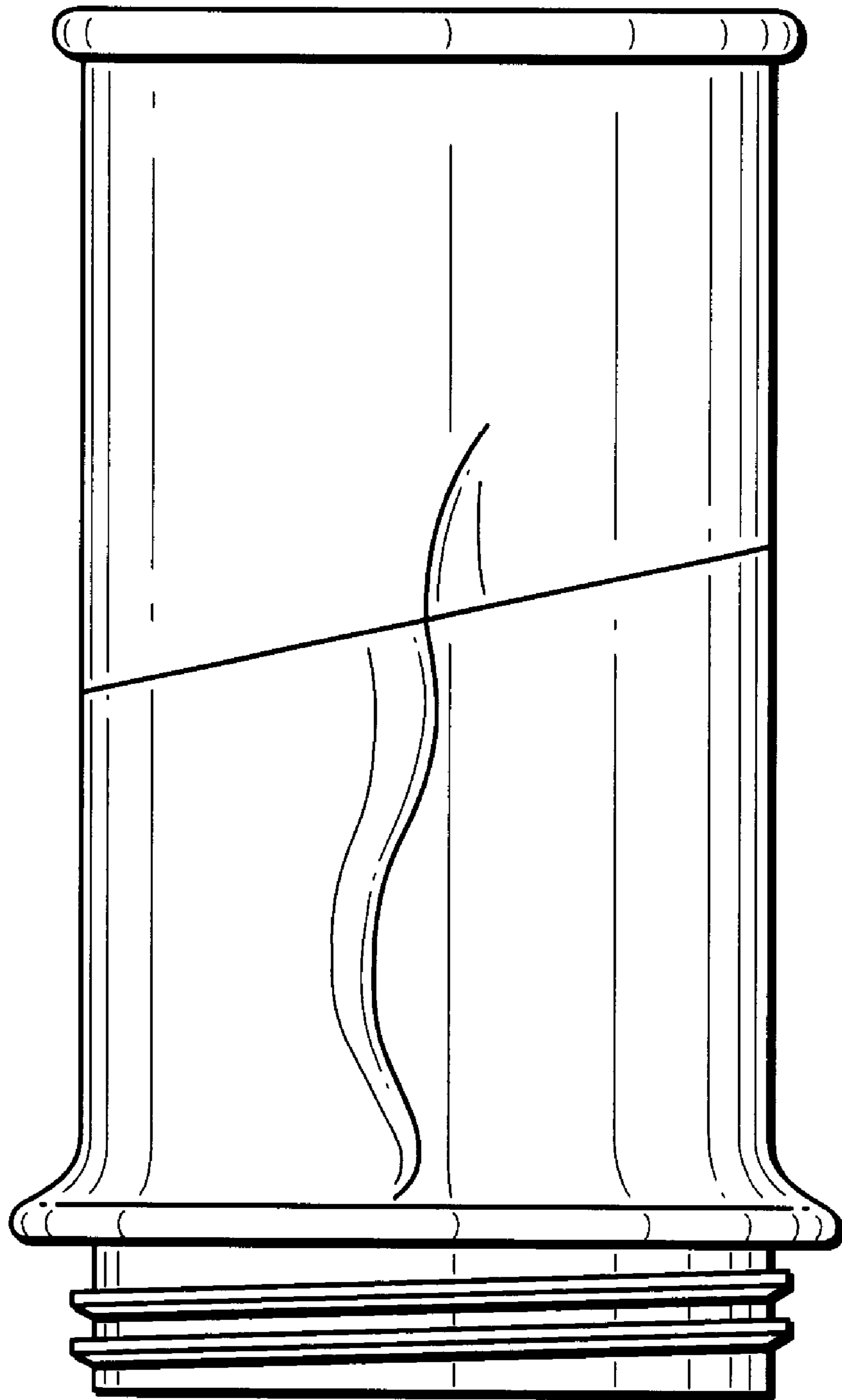




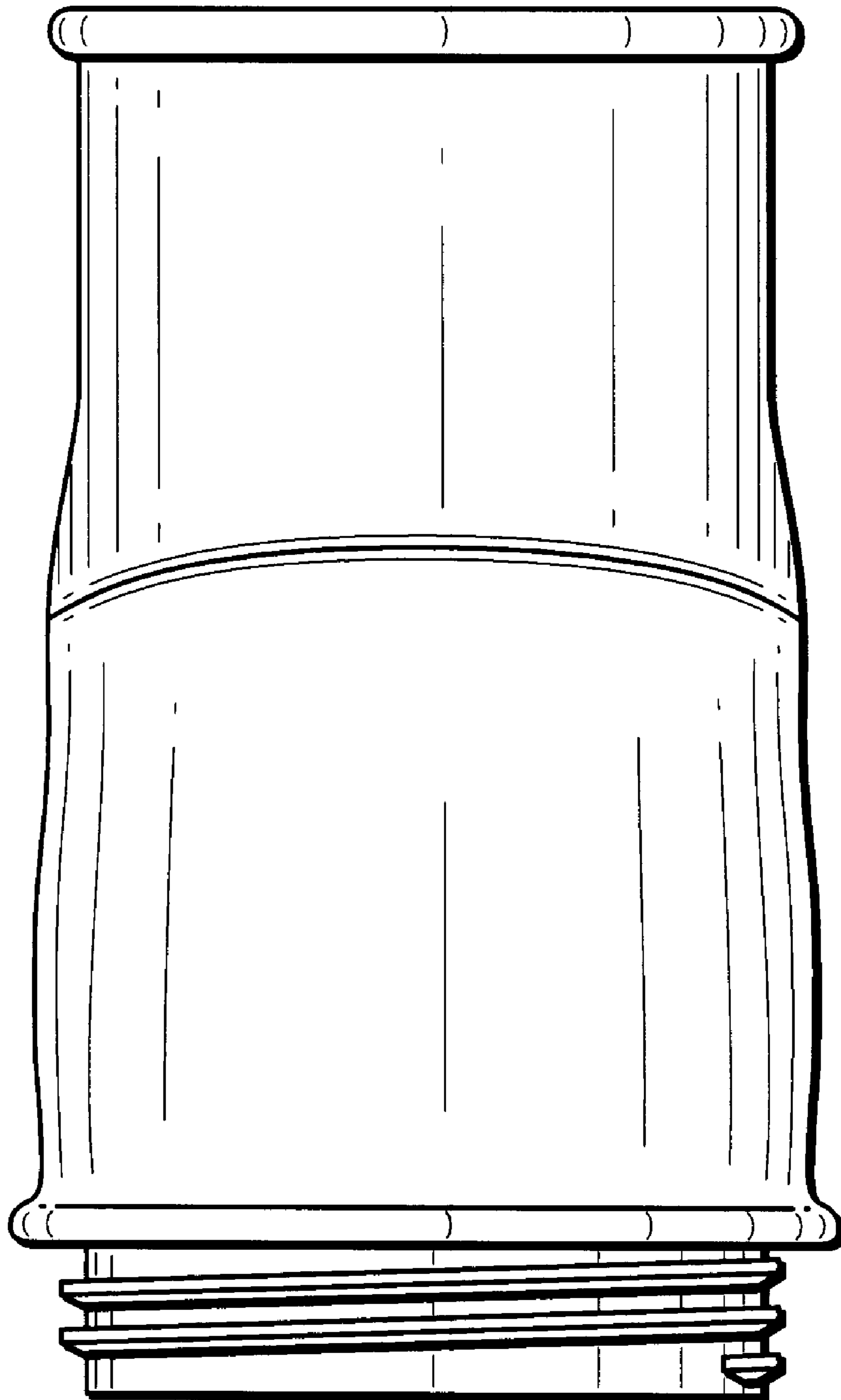
# FIG. 9



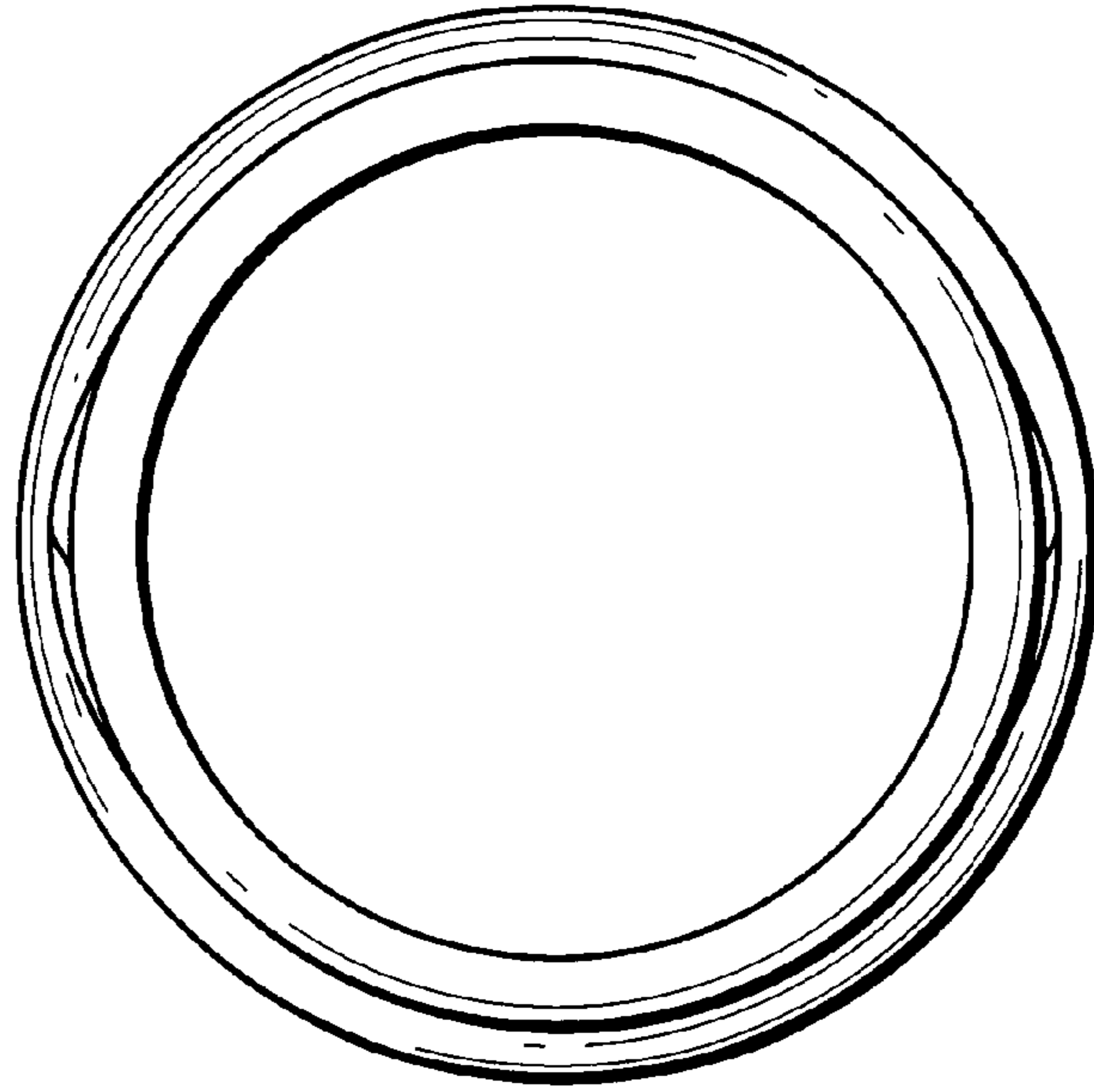
# ***FIG. 10***



# ***FIG. 11***



***FIG. 12***



***FIG. 13***

