



US00D428152S

# United States Patent [19]

[11] **Patent Number: Des. 428,152**

**Suh et al.**

[45] **Date of Patent: \*\* Jul. 11, 2000**

[54] **BASE FOR A DENTAL COMPOSITE LIGHT CURING UNIT**

[75] Inventors: **Byoung I. Suh**, Oakbrook; **Rich Nagel**, West Chicago, both of Ill.

[73] Assignee: **Bisco Inc.**, Schaumburg, Ill.

[\*\*] Term: **14 Years**

[21] Appl. No.: **29/095,505**

[22] Filed: **Oct. 23, 1998**

[51] **LOC (7) Cl.** ..... **24-03**

[52] **U.S. Cl.** ..... **D24/176**

[58] **Field of Search** ..... D24/176; 250/504, 250/504 H, 504 R

[56] **References Cited**

**U.S. PATENT DOCUMENTS**

D. 335,539 5/1993 Hakamatsuka et al. .... D24/176  
4,450,139 5/1984 Bussiere et al. .... 250/504

**FOREIGN PATENT DOCUMENTS**

750889 1/1997 European Pat. Off. .  
2629999 10/1989 France .  
6292692 2/1995 Japan .

**OTHER PUBLICATIONS**

J.R. Bausch, et al., J. Prosthetic Dent., vol. 48, pp. 59-67 (1982).  
C.L. Davidson et al., J. Dent. Res., vol. 63, pp. 1396-1399 (1984).  
C.L. Davidson, J. Prosthetic Dent., vol. 55, pp. 446-447 (1986).  
A.J. Feilzer, et al., J. Dent. Res., vol. 66, pp. 1636-1639 (1987).  
C.M. Kemp-Scholte and C.L. Davidson, J. Dent Res., vol. 67, pp. 841-845 (1988).  
A.J. Feilzer, et al., J. Dent. Res., vol. 68, pp. 48-50 (1989).  
C.M. Kemp-Scholte and C.L. Davidson, J. Dent. Res, vol. 69, pp. 1240-1243 (1990).  
A.J. Feilzer et al., Dent. Mater., vol. 9, pp. 2-5 (1993).  
C.M. Kemp-Scholte and C.L. Davidson, J. Prost. Dent, vol. 64, pp. 658-664 (1990).

Product Bulletin for POWER LITE Curing Lights, which are manufactured by Spring Health Products, Inc. of Norristown, Pennsylvania (Date Unknown).

Product Bulletin for FOTOLUX ART. Curing Lights, which are manufactured by Carlo de Giorgi of Milano, Italy (Date Unknown).

Product Bulletin for NL 15 Curing Light, which is manufactured by Nouvag AG of Goldach, Switzerland (Date Unknown).

Product Bulletin for ACTA Curing Light, which is manufactured by American Medical & Dental Corp. of Cherry Hill, New Jersey (Date Unknown).

Product Bulletin for HILUX Curing Lights, which is manufactured by Benlioglu Dental Inc. of Andara, Turkey (Date Unknown).

Product Bulletin for HELIOLUX DLX Curing Light, which is manufactured by Vivadent Ets. of Schaan, Liechtenstein (Date Unknown).

(List continued on next page.)

*Primary Examiner*—Antoine Duval Davis  
*Attorney, Agent, or Firm*—Marshall, O’Toole, Gerstein, Murray & Borun

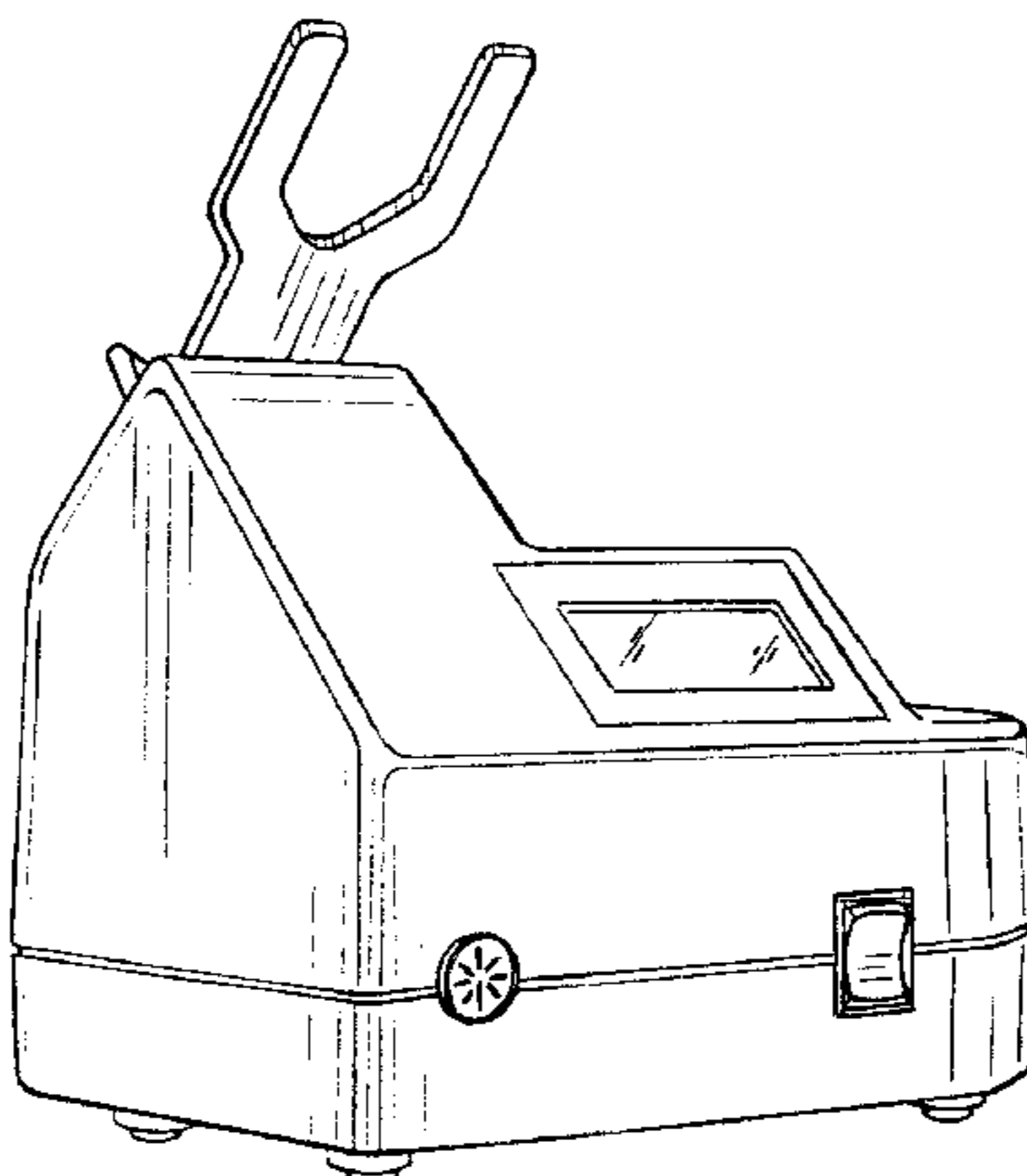
[57] **CLAIM**

The ornamental design for base for a dental composite light curing unit, as shown and described.

**DESCRIPTION**

FIG. 1 comprises a perspective view, taken from the left and from the front, of one embodiment of a housing for a base for a dental composite light curing unit according to the present invention;  
FIG. 2 is a perspective view, taken from the right and from the rear, thereof;  
FIG. 3 is a plan view thereof;  
FIG. 4 is a right elevational view thereof;  
FIG. 5 is a front elevational view thereof;  
FIG. 6 is a rear elevational view thereof;  
FIG. 7 is a left elevational view thereof; and,  
FIG. 8 is a bottom elevational view thereof.

**1 Claim, 4 Drawing Sheets**



OTHER PUBLICATIONS

Product Bulletin for HELIOLUX DLX Curing Light, which is manufactured by Ivoclar Vivadent of Amherst, New York (Date Unknown).

Product Bulletin for XL3000 Curing Lights, which are manufactured by 3M of St. Paul, Minnesota (Date Unknown).

Product Bulletin for SUNLITE 1275 Curing Lights, which are manufactured by FEN Dental Mfg., Inc. of Hialeah, Florida (Date Unknown).

Product Bulletin for LITEX Curing Lights, which are manufactured by Dentamerica of Industry, California (Date Unknown).

Product Bulletin for COLTOLUX Curing Lights, which are manufactured by Coltene/Whaledent of Mahwah, New Jersey (1993).

Product Bulletin for PROLITE Curing Lights, which are manufactured by Dentsply/Caulk, Milford, Delaware (Sep. 1994).

Product Bulletin for SPECTRUM Curing Lights, which are manufactured by Dentsply/Caulk of Milford, Delaware (Jul. 1995).

Product Bulletin for EPILAR HIGHLIGHT Curing Lights, which are manufactured by ESPE America, Inc. of Norristown, Pennsylvania (1997).

Product Bulletin for OPTILUX Curing Lights, which are manufactured by Demetron/Kerr of Orange California (1997).

Product Bulletin for JETLITE Curing Lights, which is manufactured by J. Morita USA Inc. of Tustin, California (1997).

Product Bulletin for HILUX Curing Light, which is manufactured by Dental Health Products, Inc. of New Franken, Wisconsin (Fall 1997).

Product Bulletin for QHL75 Curing Lights, which are manufactured by Dentsply/Caulk of Milford, Delaware (Jan. 1998).

The Art and Science of Operative Dentistry, 3rd. Ed., C.M. Sturdevant, T.M. Robertson, H.O. Heymann, and J.R. Sturdevant editors, 1995, Mosby-Year Book, Inc., St. Louis Missouri, pp. 12-18.

M.R. Bouschlicher, et al., Amer. J. Dent. vol. 10, pp. 88-96 (1997).

International Search Report dated Feb. 18, 1999, in PCT/US98/22544.

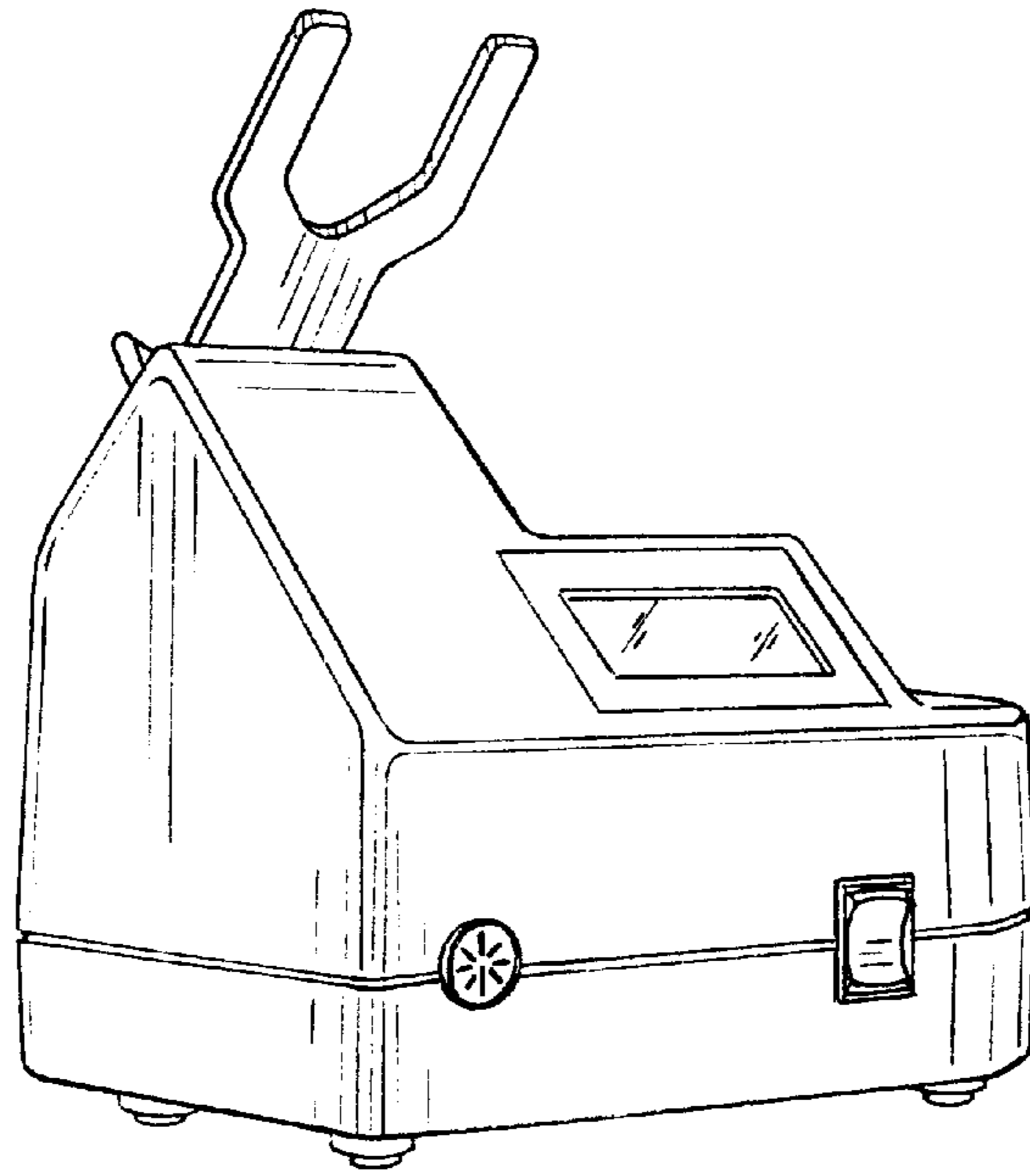


FIG. 1

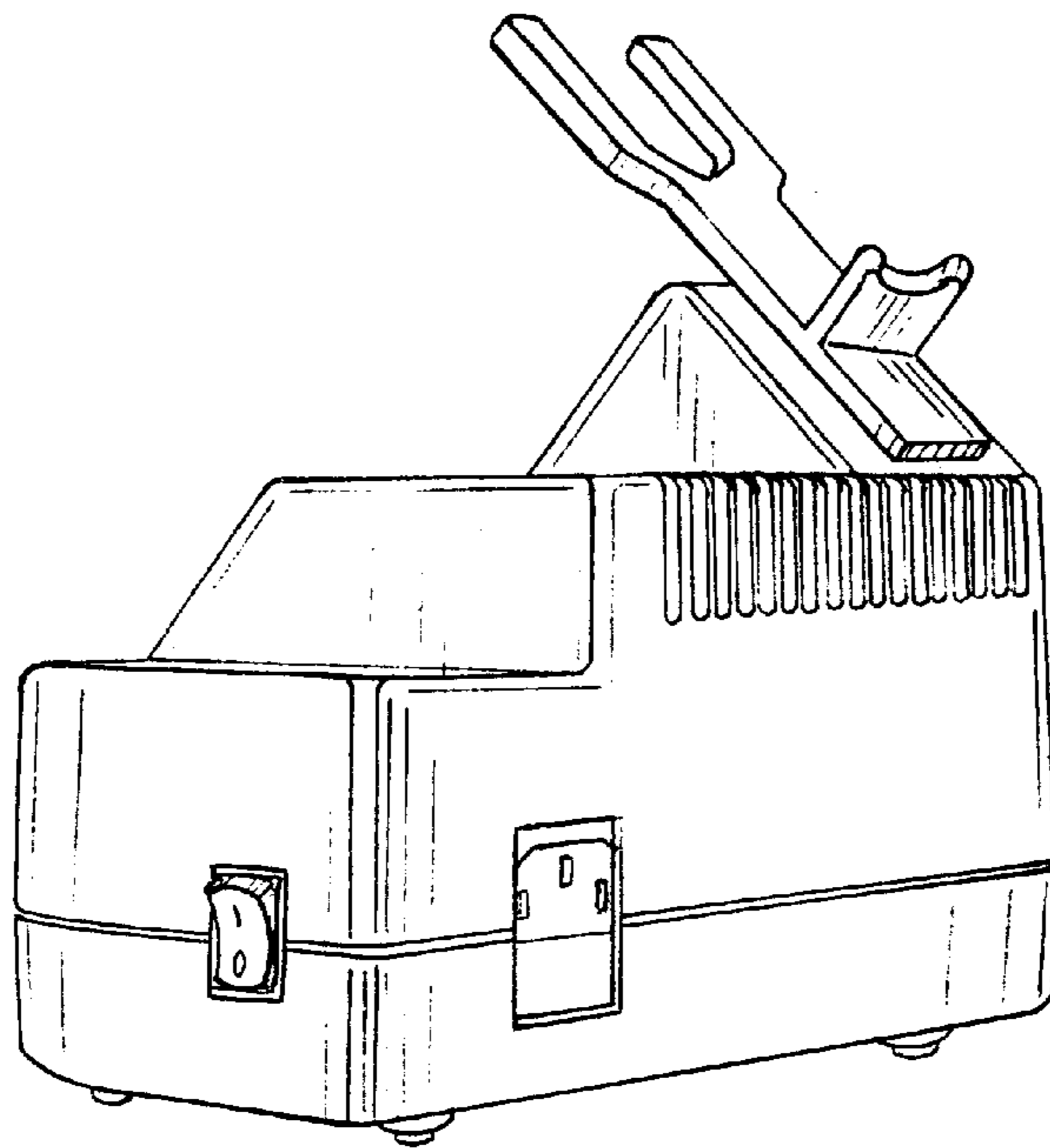


FIG. 2

FIG. 3

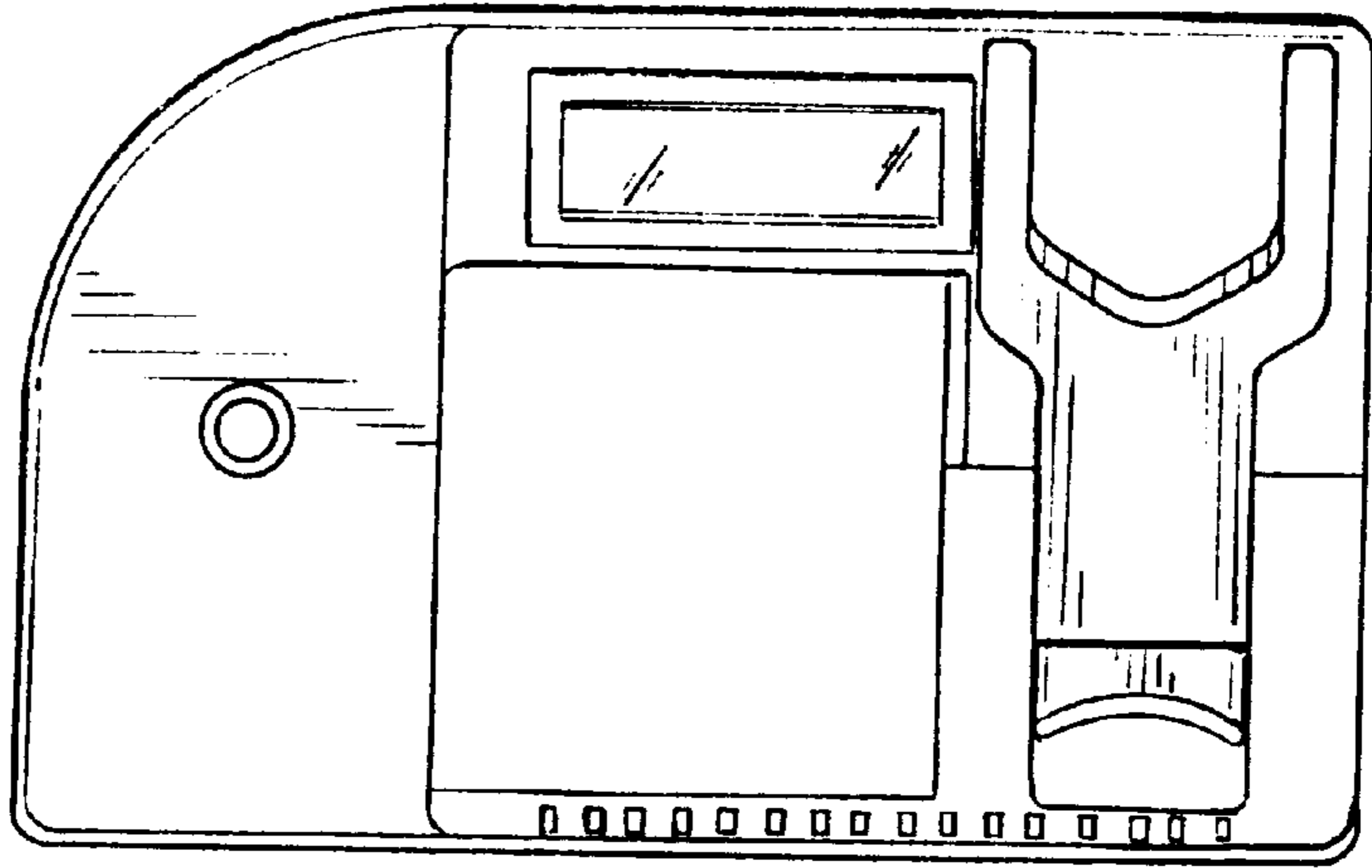


FIG. 4

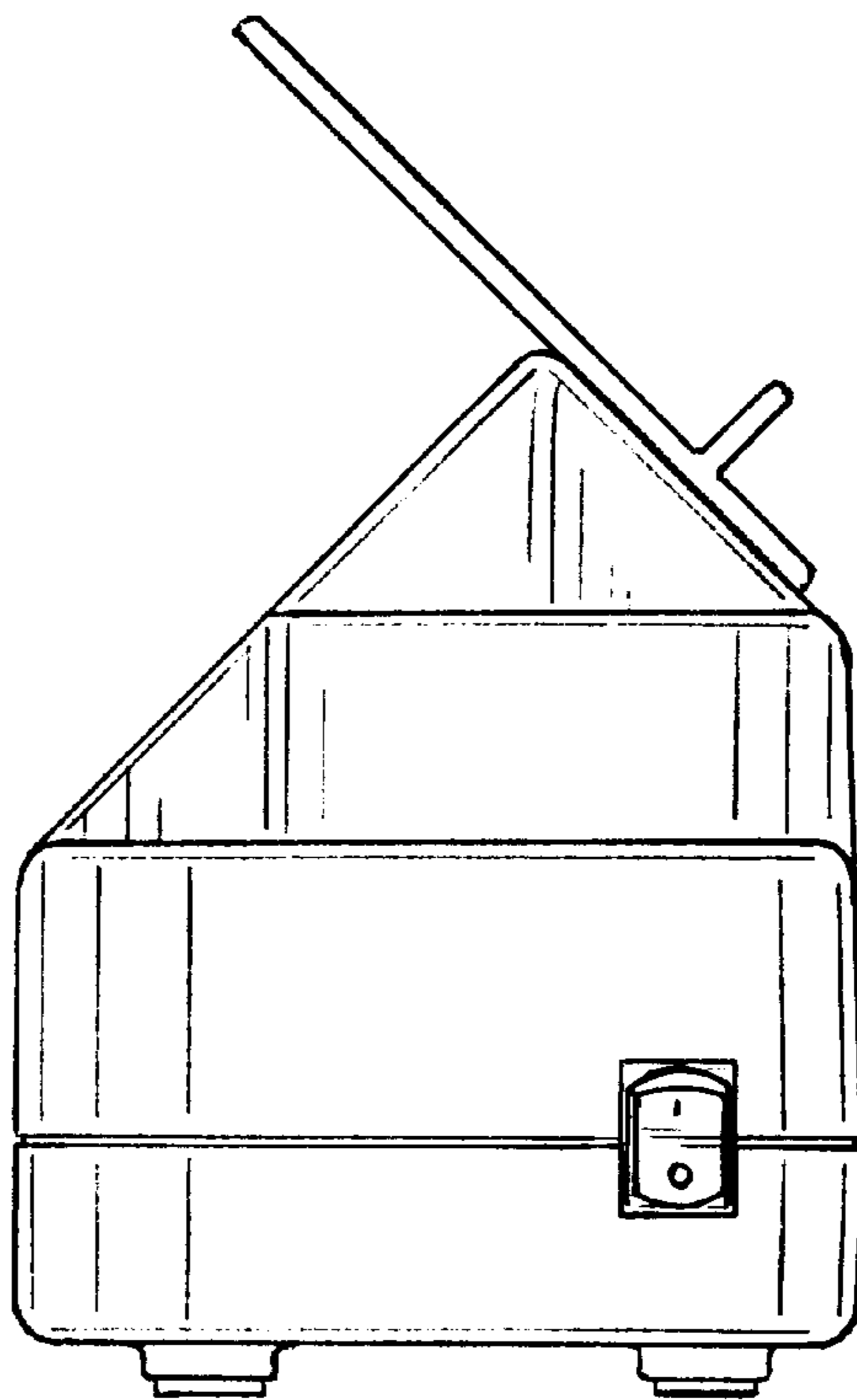


FIG. 5

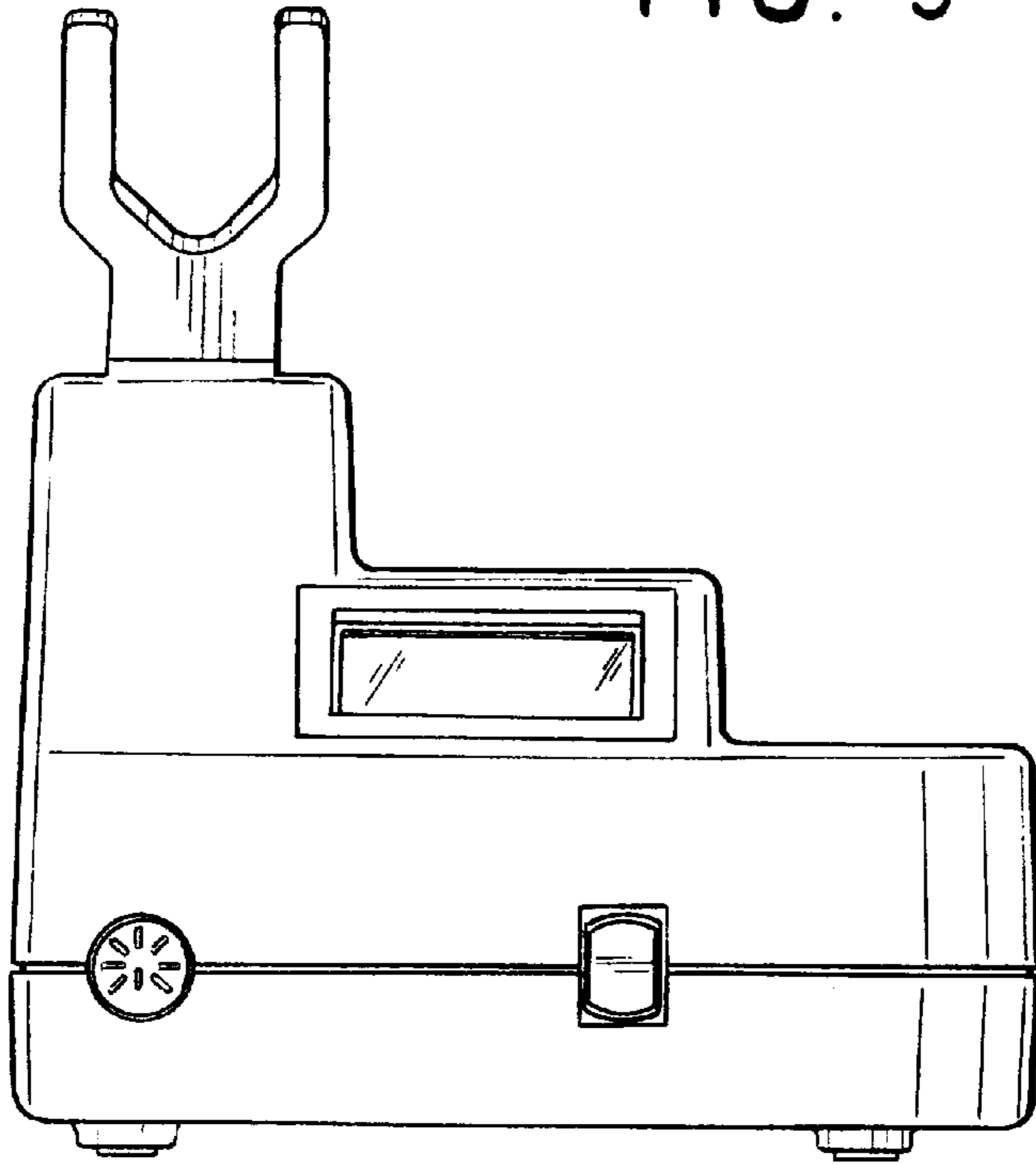


FIG. 6

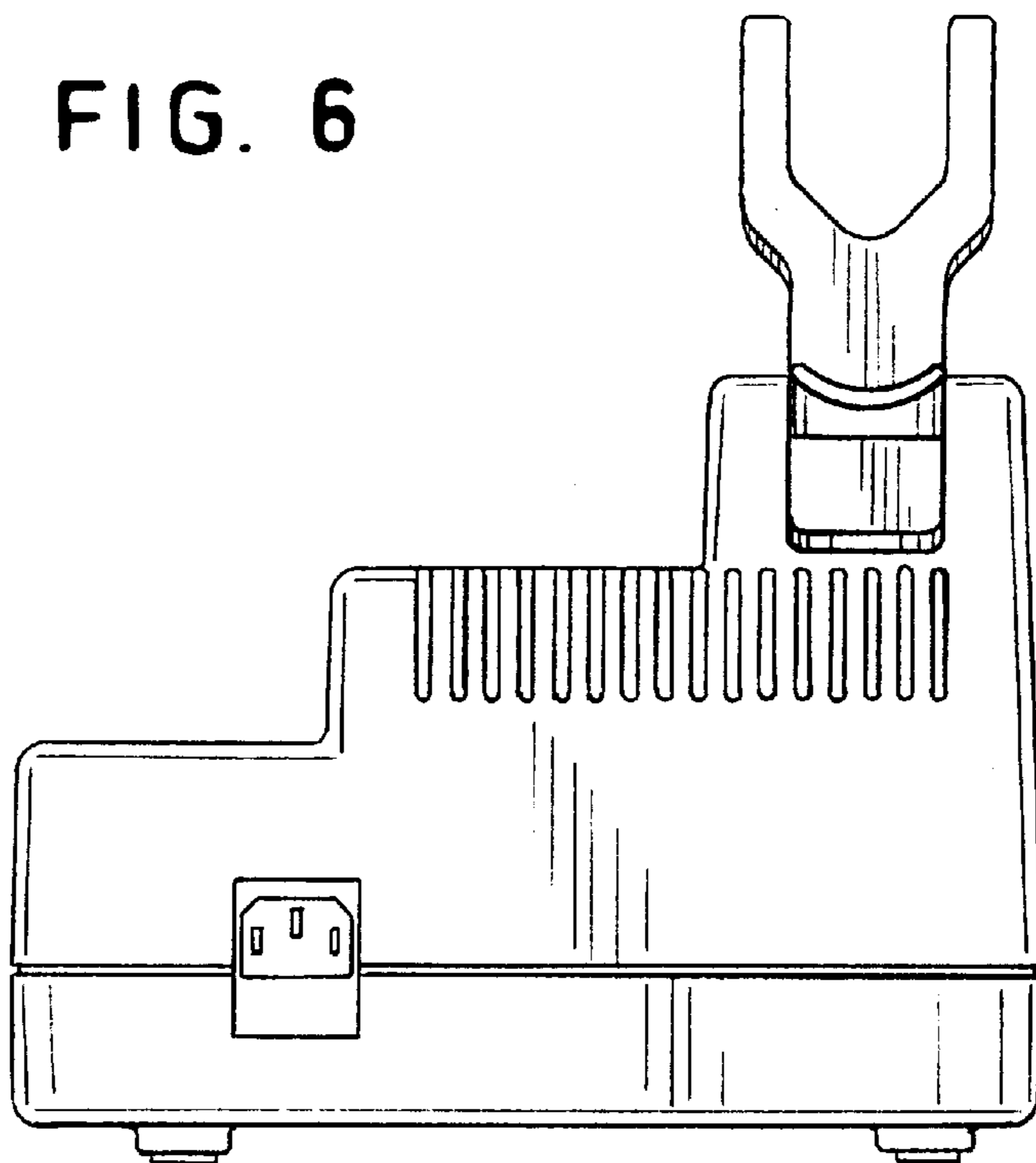


FIG. 7

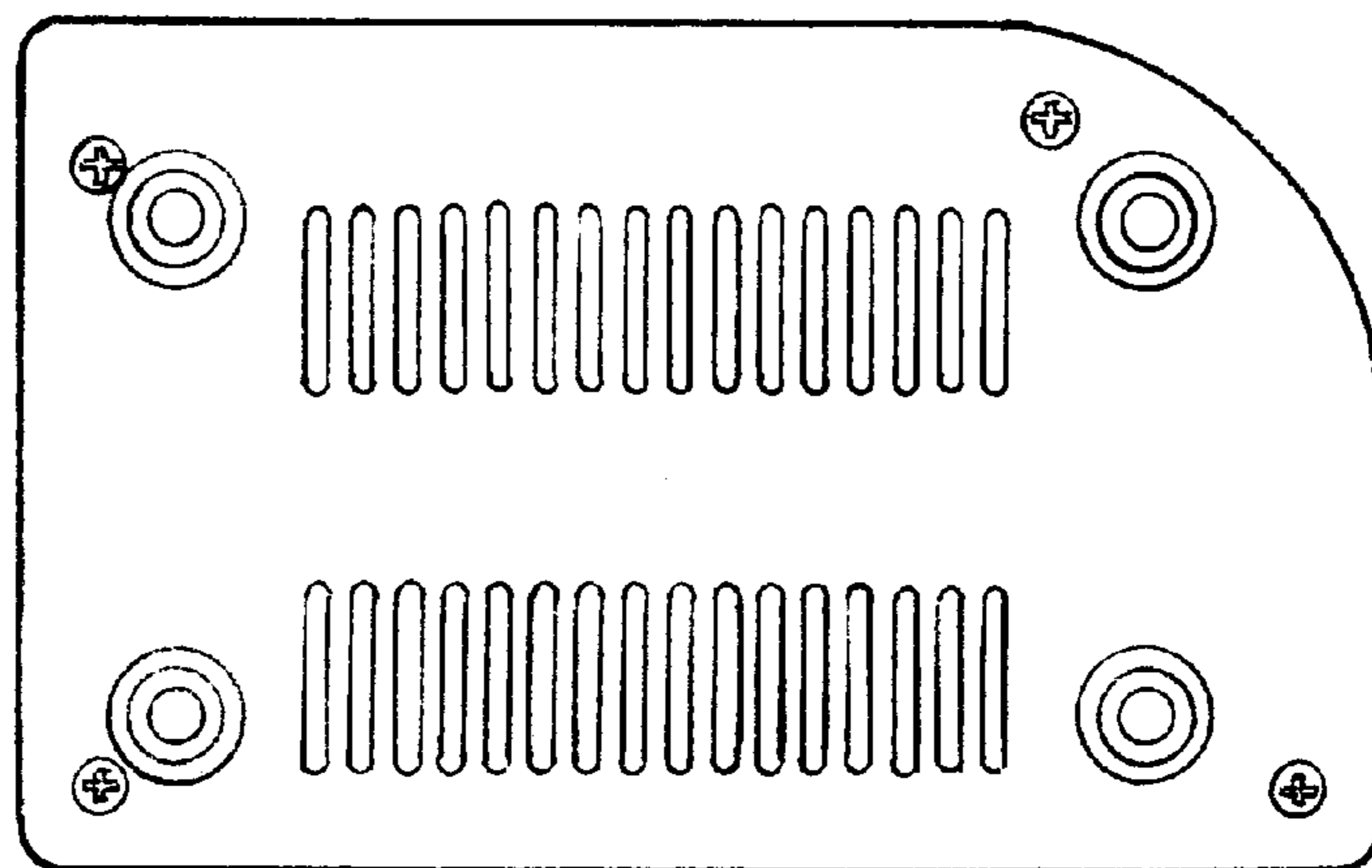
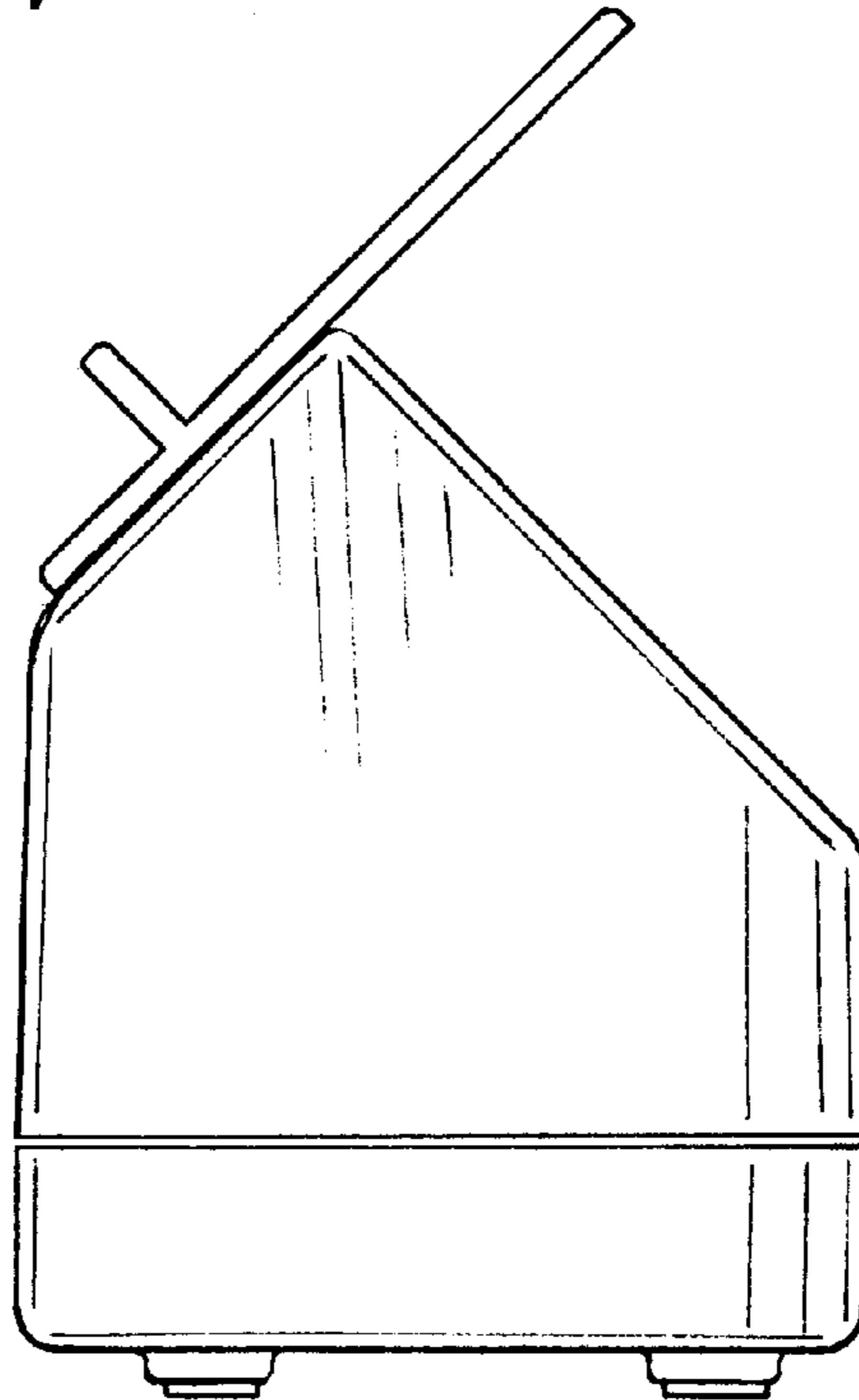


FIG. 8