



US00D428151S

# United States Patent [19]

Danby et al.

[11] Patent Number: **Des. 428,151**

[45] Date of Patent: **\*\* Jul. 11, 2000**

[54] **MAGNETIC RESONANCE IMAGING APPARATUS**

[75] Inventors: **Gordon T. Danby**, Wading River;  
**Jevan Damadian**, East Northport, both  
of N.Y.

[73] Assignee: **Fonar Corporation**, Melville, N.Y.

[\*\*] Term: **14 Years**

[21] Appl. No.: **29/097,035**

[22] Filed: **Nov. 25, 1998**

### Related U.S. Application Data

[63] Continuation-in-part of application No. 08/975,913, Nov. 21, 1997.

[51] **LOC (7) Cl.** ..... **24-01**

[52] **U.S. Cl.** ..... **D24/158**

[58] **Field of Search** ..... D24/158; 600/410,  
600/409, 415; 335/216, 296, 299, 306,  
300, 297; 324/318, 319

### [56] References Cited

#### U.S. PATENT DOCUMENTS

D. 313,073 12/1990 Kaufman et al. .... D24/158

4,641,119	2/1987	Moore .....	335/297
4,672,346	6/1987	Miyamoto et al. ....	335/296
4,679,022	7/1987	Miyamoto et al. ....	335/296
4,777,464	10/1988	Takabatashi et al. ....	335/306
5,194,810	3/1993	Breneman et al. ....	324/319
5,436,607	7/1995	Chari et al. ....	335/216

*Primary Examiner*—Stella Reid  
*Attorney, Agent, or Firm*—Lerner, David, Littenberg,  
Krumholz & Mentlik, LLP

### [57] CLAIM

The ornamental design for a magnetic resonance imaging apparatus, as shown and described.

### DESCRIPTION

FIG. 1 is a perspective view looking from the front of the magnetic resonance imaging apparatus showing our new design;

FIG. 2 is a front elevational view, the rear elevational view, right side elevational view and left side elevational views being identical to the front elevational view; and,

FIG. 3 is a top plan view taken in the direction of line 3—3 of FIG. 2.

Broken line detail is provided in the figures to show the environment in which the claimed design is associated and is itself not part of the claimed design.

**1 Claim, 2 Drawing Sheets**

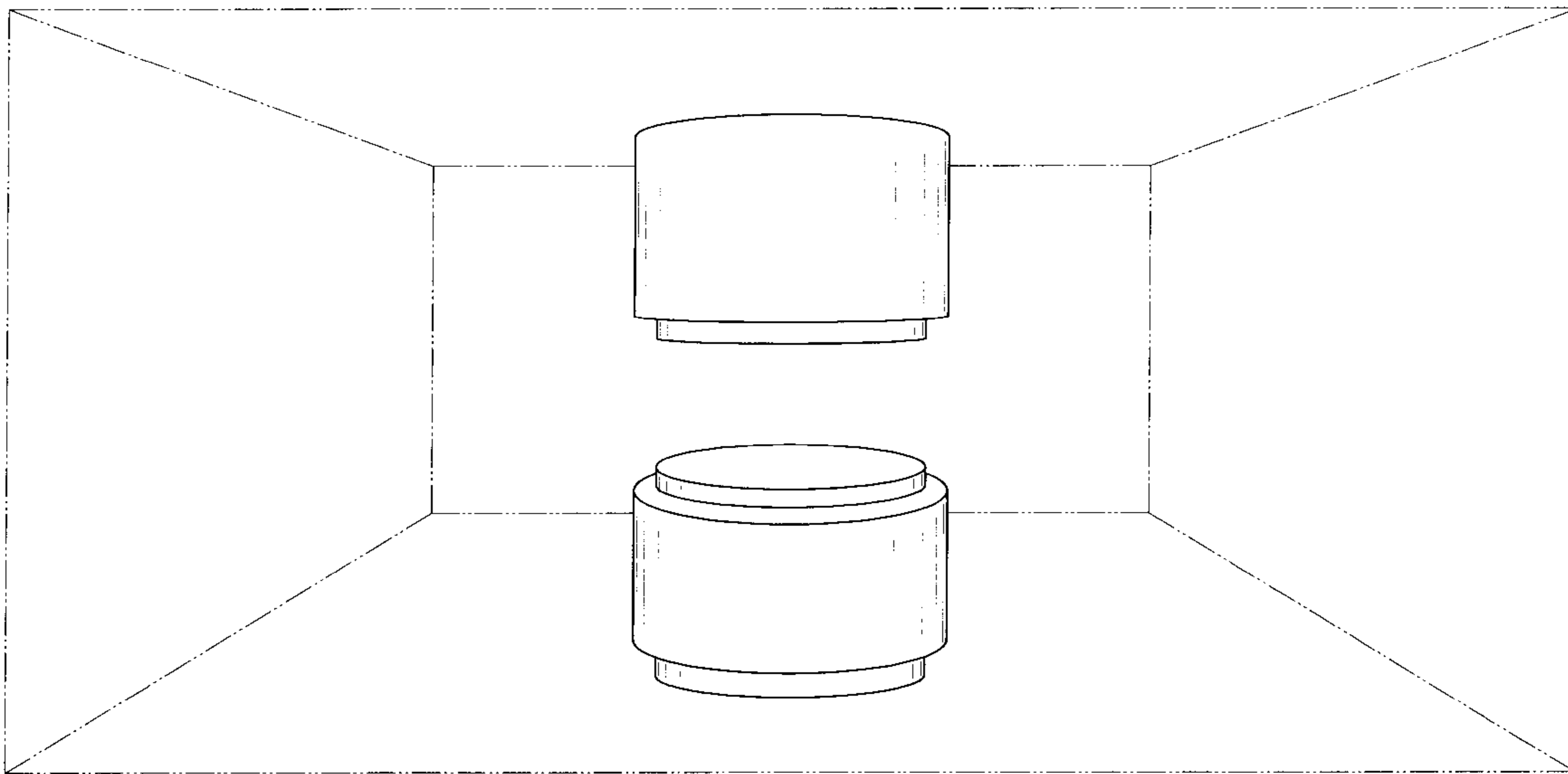


FIG. 1

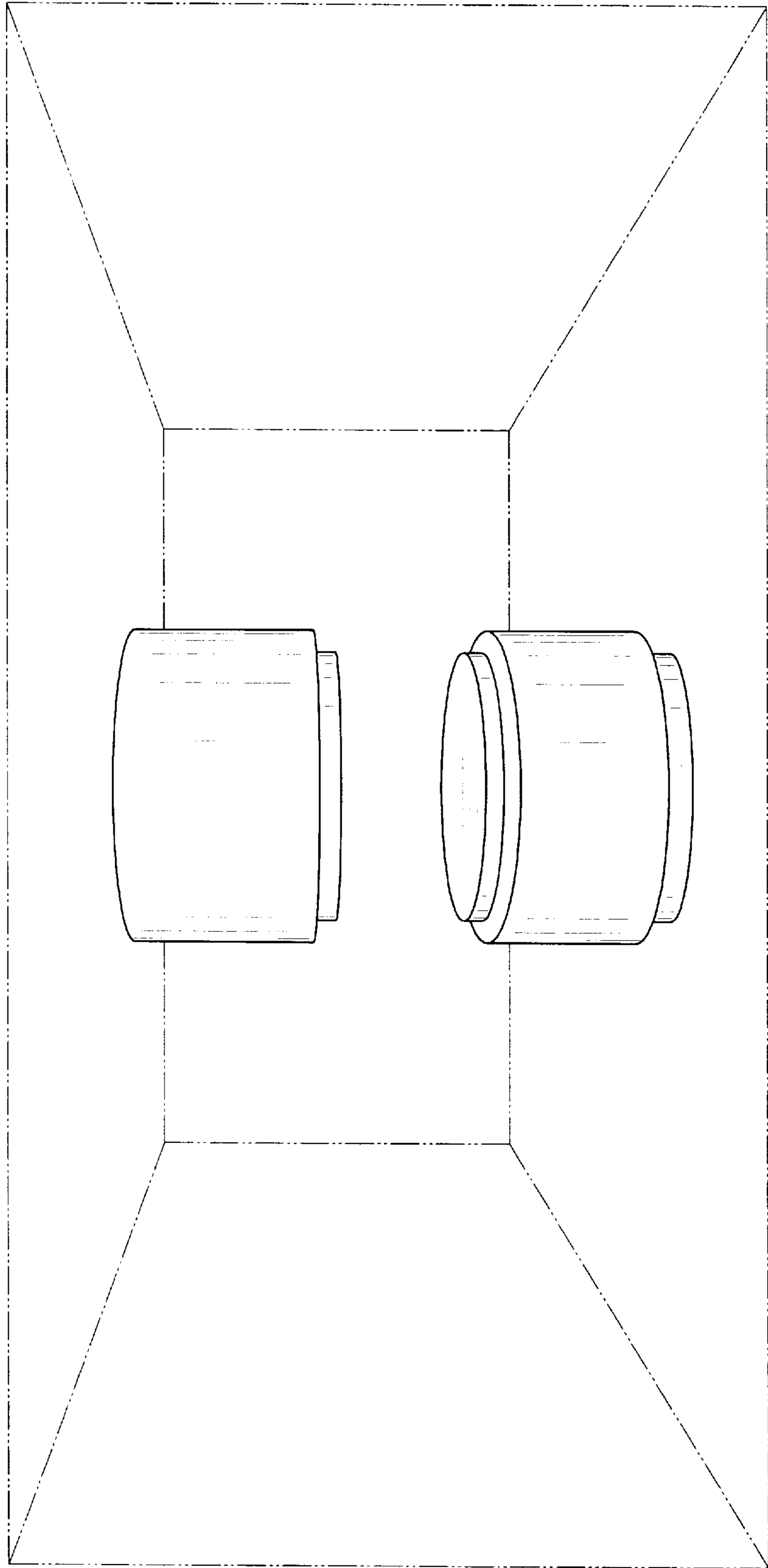


FIG. 2

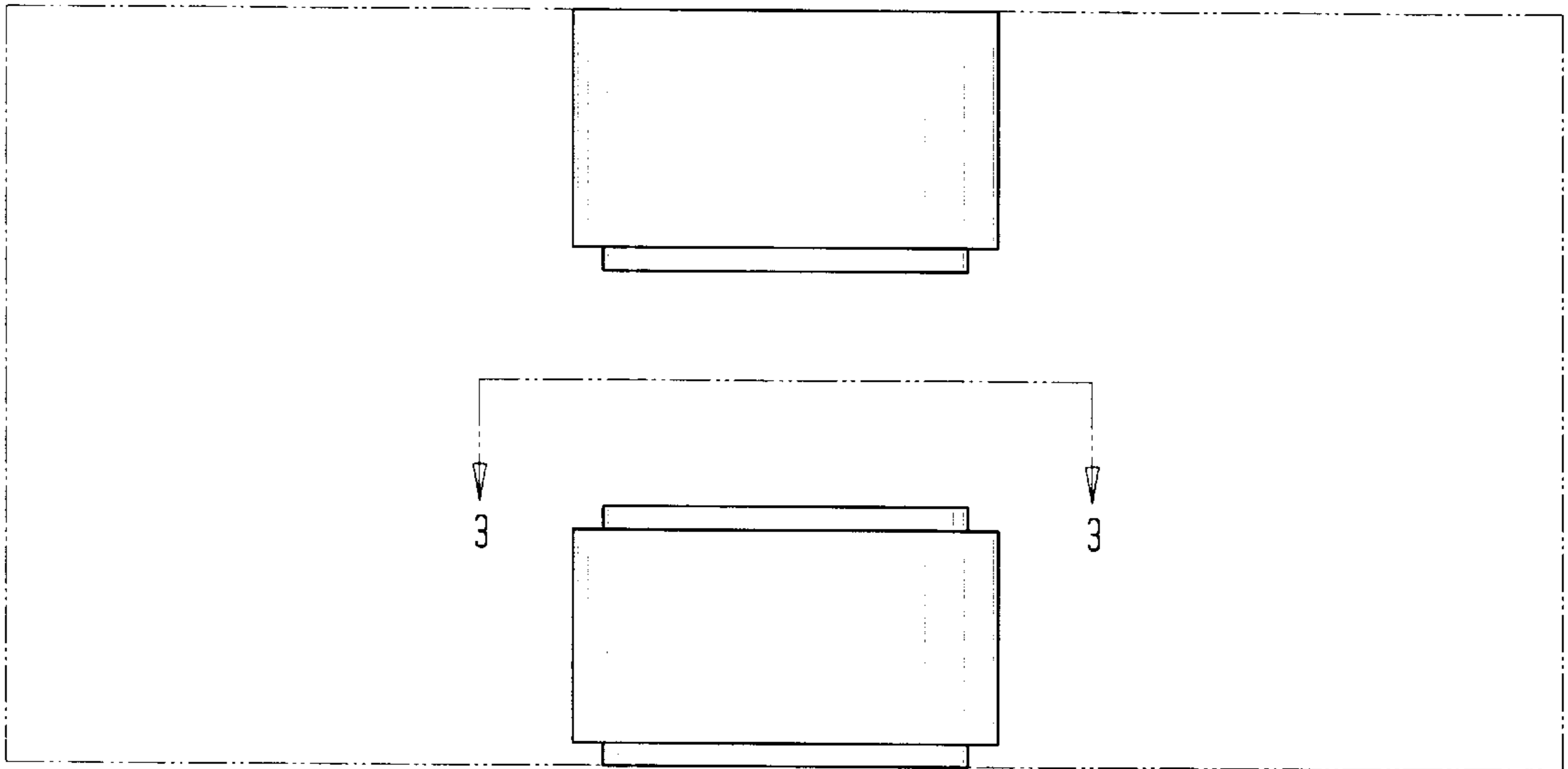


FIG. 3

