



US00D428149S

United States Patent [19] Mann

[11] **Patent Number: Des. 428,149**

[45] **Date of Patent: ** Jul. 11, 2000**

[54] **EAR PIERCING CARTRIDGE**

5,441,514 8/1995 Durham 606/188
5,868,774 2/1999 Reil 606/188

[75] Inventor: **Samuel J. Mann**, Englewood, N.J.

[73] Assignee: **Inverness Corporation**, Fair Lawn, N.J.

Primary Examiner—Louis S. Zarfes
Assistant Examiner—I Simmons
Attorney, Agent, or Firm—Stroock & Stroock & Lavan LLP

[**] Term: **14 Years**

[57] **CLAIM**

[21] Appl. No.: **29/089,625**

The ornamental design for an ear piercing cartridge, as shown and described.

[22] Filed: **Jun. 18, 1998**

DESCRIPTION

[51] **LOC (7) Cl.** **24-02**

[52] **U.S. Cl.** **D24/146**

[58] **Field of Search** D24/146, 147,
D24/133; 606/88

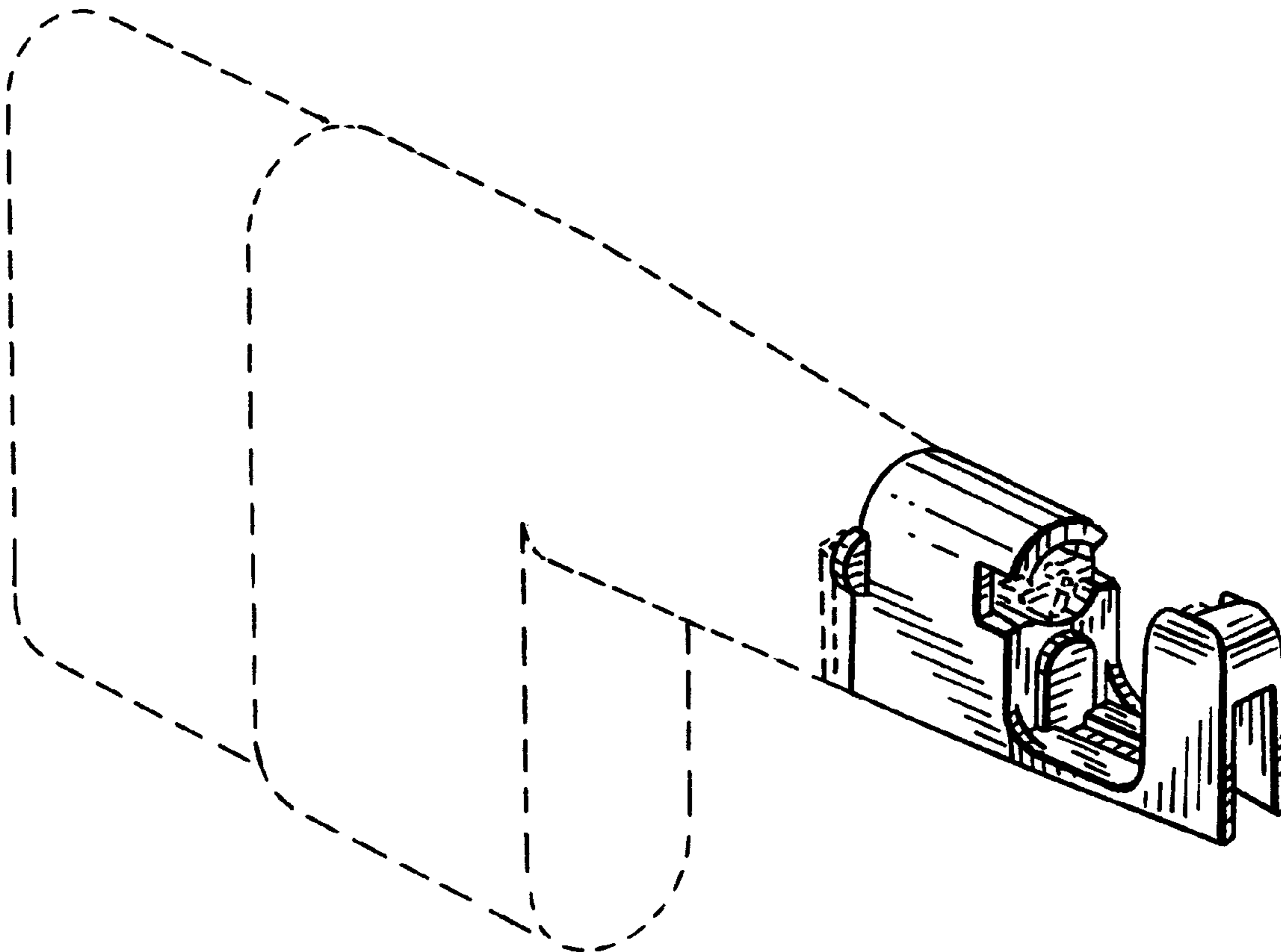
FIG. 1 is a perspective view of the ear piercing cartridge in accordance with the present invention;
FIG. 2 is a top plan view of the ear piercing cartridge;
FIG. 3 is a front elevational view of the ear piercing cartridge;
FIG. 4 is a side elevational view of the ear piercing cartridge, the two side views being symmetrical;
FIG. 5 is a rear elevational view of the ear piercing cartridge; and,
FIG. 6 is a bottom plan view of the ear piercing cartridge. The broken line showing in FIG. 1 is for illustrative purposes only and forms no part of the claimed design.

[56] **References Cited**

U.S. PATENT DOCUMENTS

D. 315,211	3/1991	Reil	D24/146
4,860,747	8/1989	Sciara	606/188
5,004,470	4/1991	Mann	606/188
5,007,918	4/1991	Mann	606/188
5,090,665	2/1992	Mann	606/188
5,263,960	11/1993	Mann	606/188

1 Claim, 2 Drawing Sheets



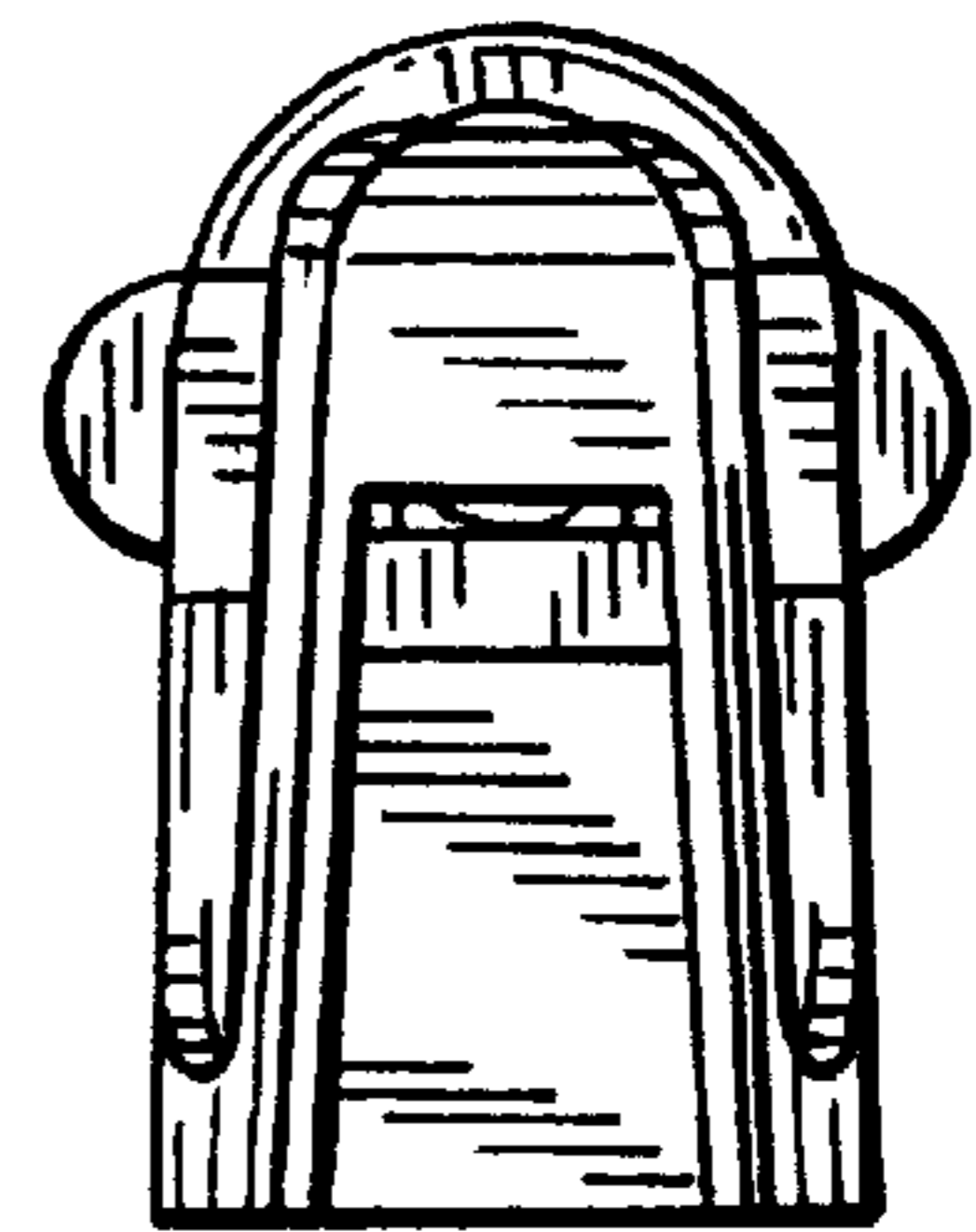
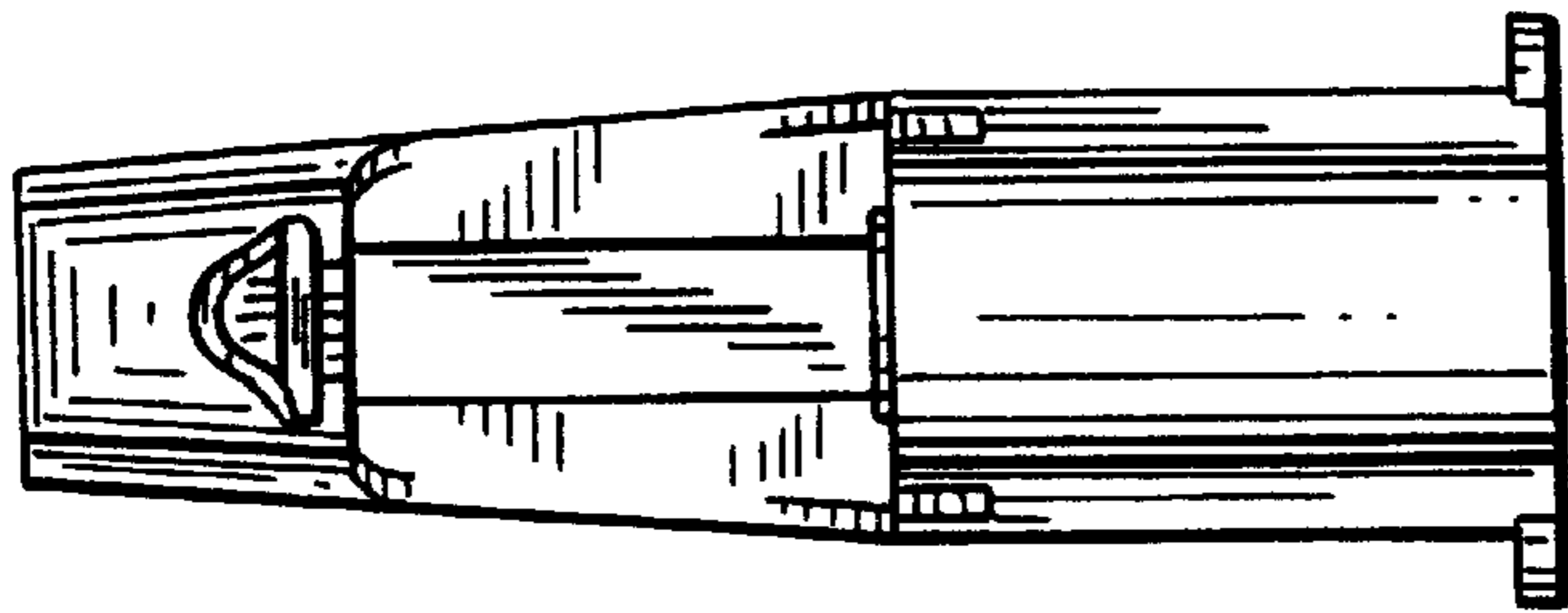
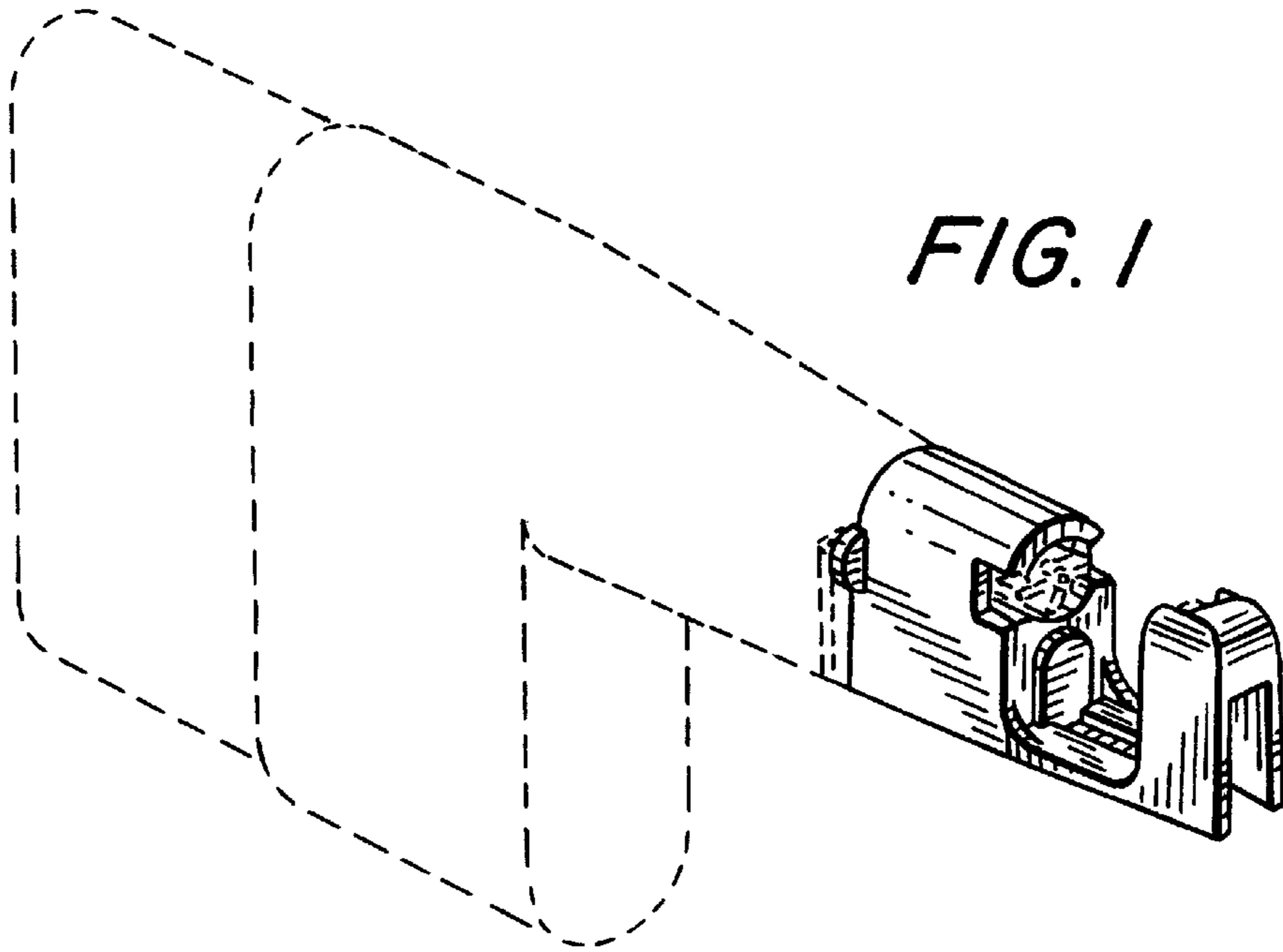


FIG. 4

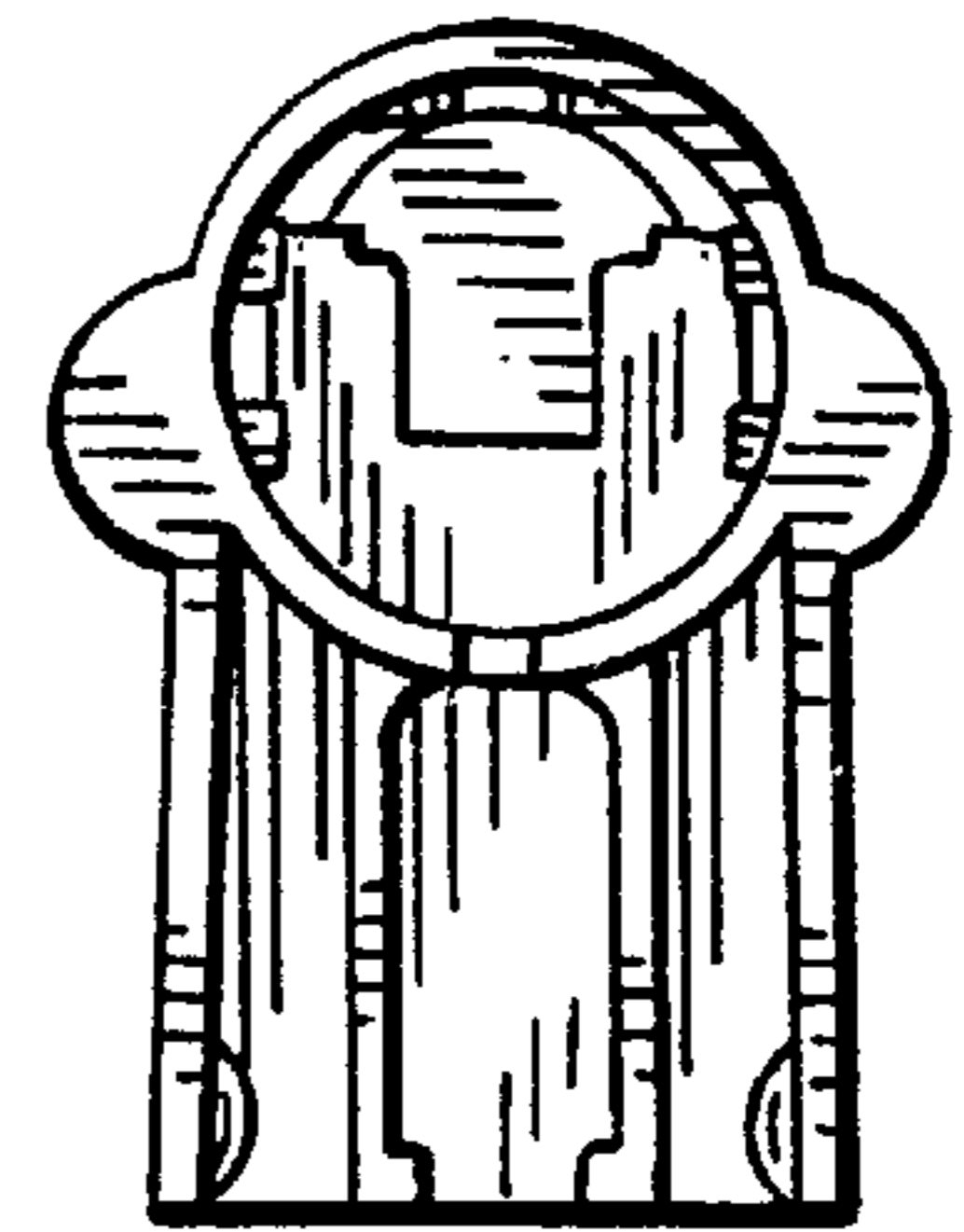
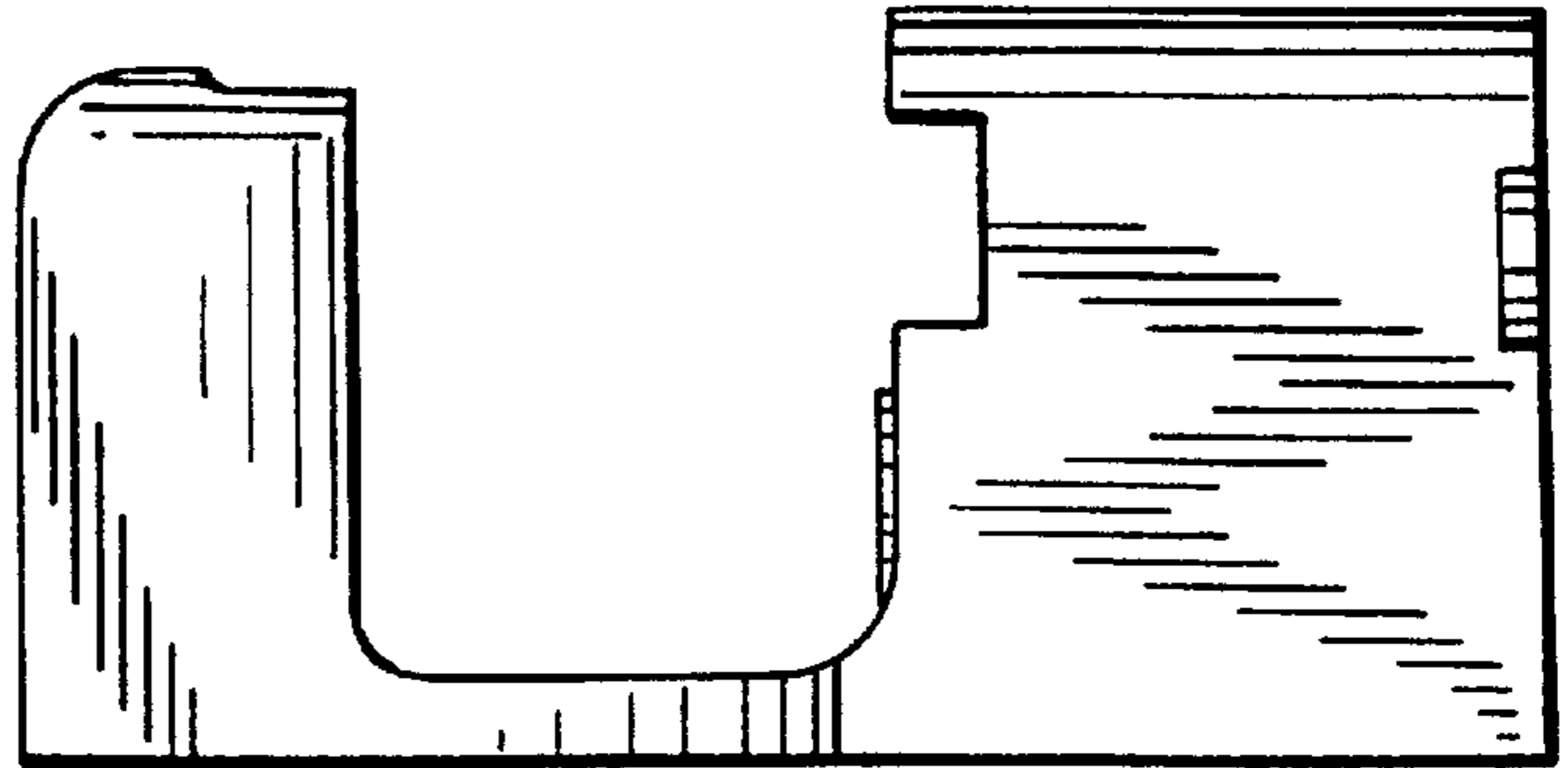


FIG. 5

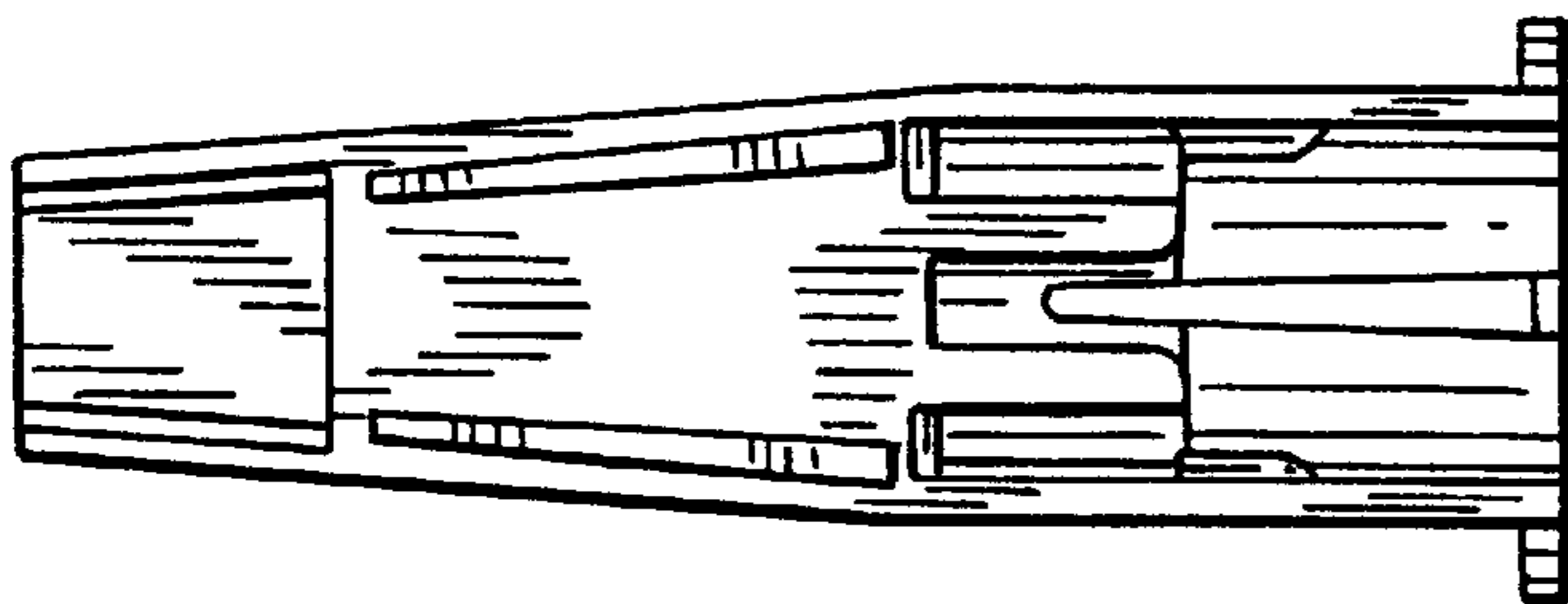


FIG. 6