



US00D428146S

**United States Patent** [19]  
**Svanberg et al.**

[11] **Patent Number: Des. 428,146**

[45] **Date of Patent: \*\* Jul. 11, 2000**

[54] **DENTAL INSTRUMENT HANDLE**

D. 336,517 6/1993 McKeown ..... D24/133  
D. 394,902 6/1998 Herbst et al. .... D24/152

[75] Inventors: **H. Göran Svanberg; Anders A. Stormats**, both of Nynäshamn, Sweden

*Primary Examiner*—Stella Reid  
*Assistant Examiner*—I Simmons  
*Attorney, Agent, or Firm*—Young & Thompson

[73] Assignee: **Amdent AB**, Nynashamn, Sweden

[\*\*] Term: **14 Years**

[57] **CLAIM**

[21] Appl. No.: **29/081,308**

The ornamental design for a dental instrument handle, as shown and described.

[22] Filed: **Dec. 30, 1997**

[30] **Foreign Application Priority Data**

**DESCRIPTION**

Jun. 30, 1997 [SE] Sweden ..... 97-1515

FIG. 1 is a front and side perspective view of a dental instrument handle, showing our new design;

[51] **LOC (7) Cl.** ..... **24-02**

FIG. 2 is a rear and side perspective view thereof;

[52] **U.S. Cl.** ..... **D24/133; D24/152**

FIG. 3 is a side elevational view thereof, all sides being identical thereto;

[58] **Field of Search** ..... D24/146, 147, D24/133, 152, 156, 170, 221; 433/141, 143, 147, 114, 117, 118, 119, 86; D19/55; 401/6, 88; D8/107, 83, 47, 82, 300

FIG. 4 is a rear plan view thereof; and

FIG. 5 is front plan view thereof.

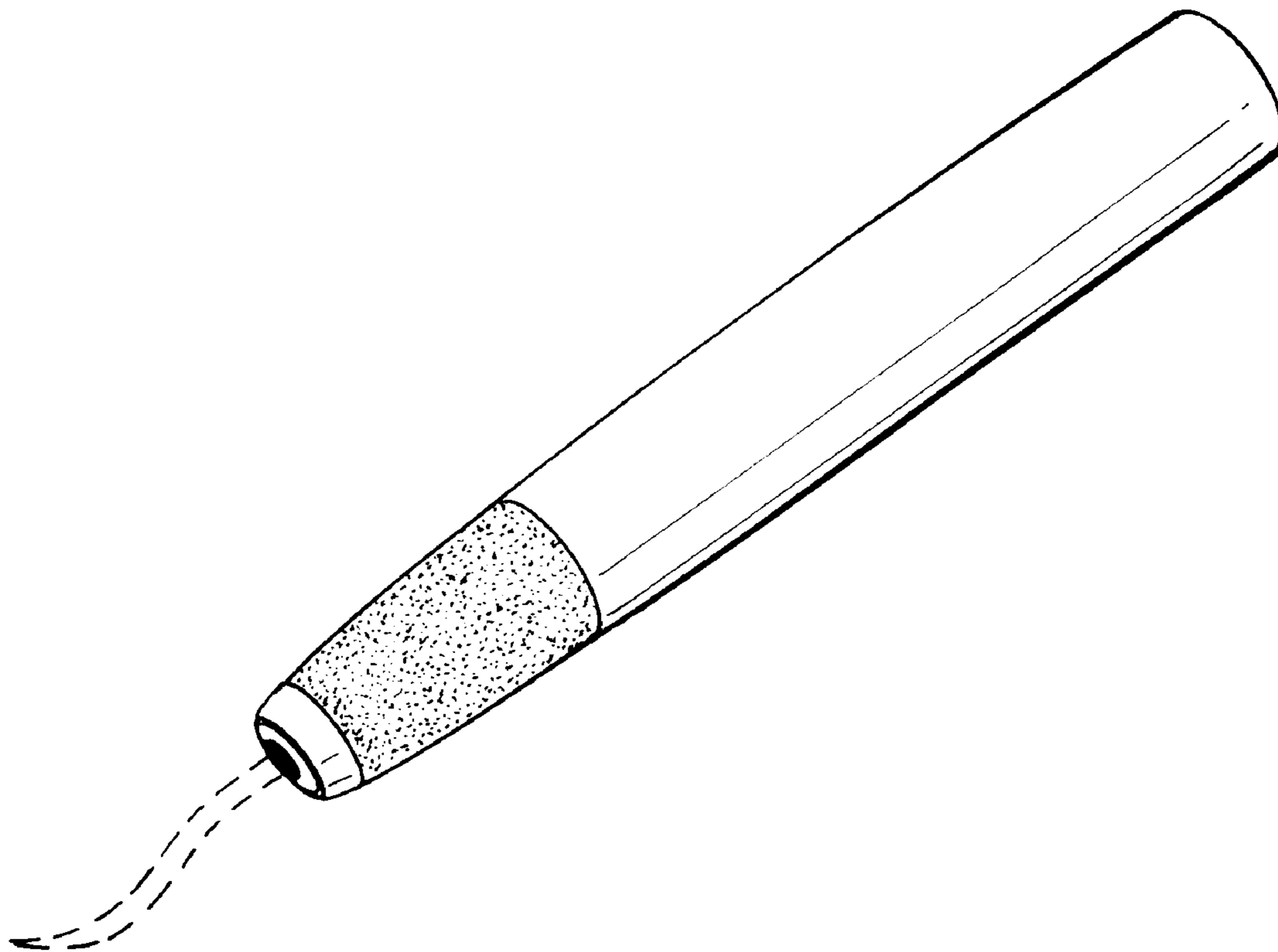
[56] **References Cited**

The broken line showing in FIGS. 1 and 2 is for illustrative purposes only and forms no part of the claimed design.

**U.S. PATENT DOCUMENTS**

D. 255,834 7/1980 Linden ..... D24/152

**1 Claim, 2 Drawing Sheets**



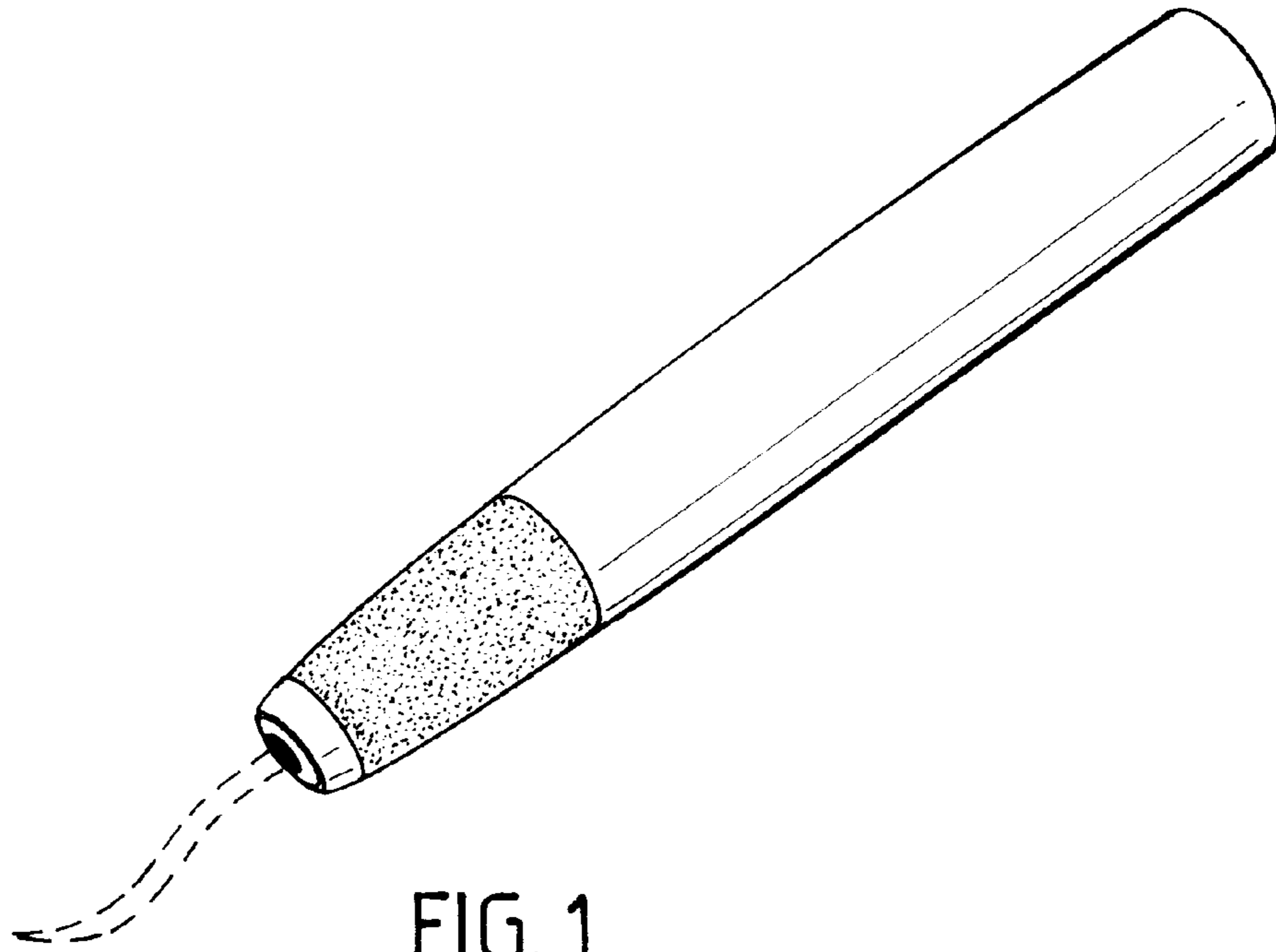


FIG. 1

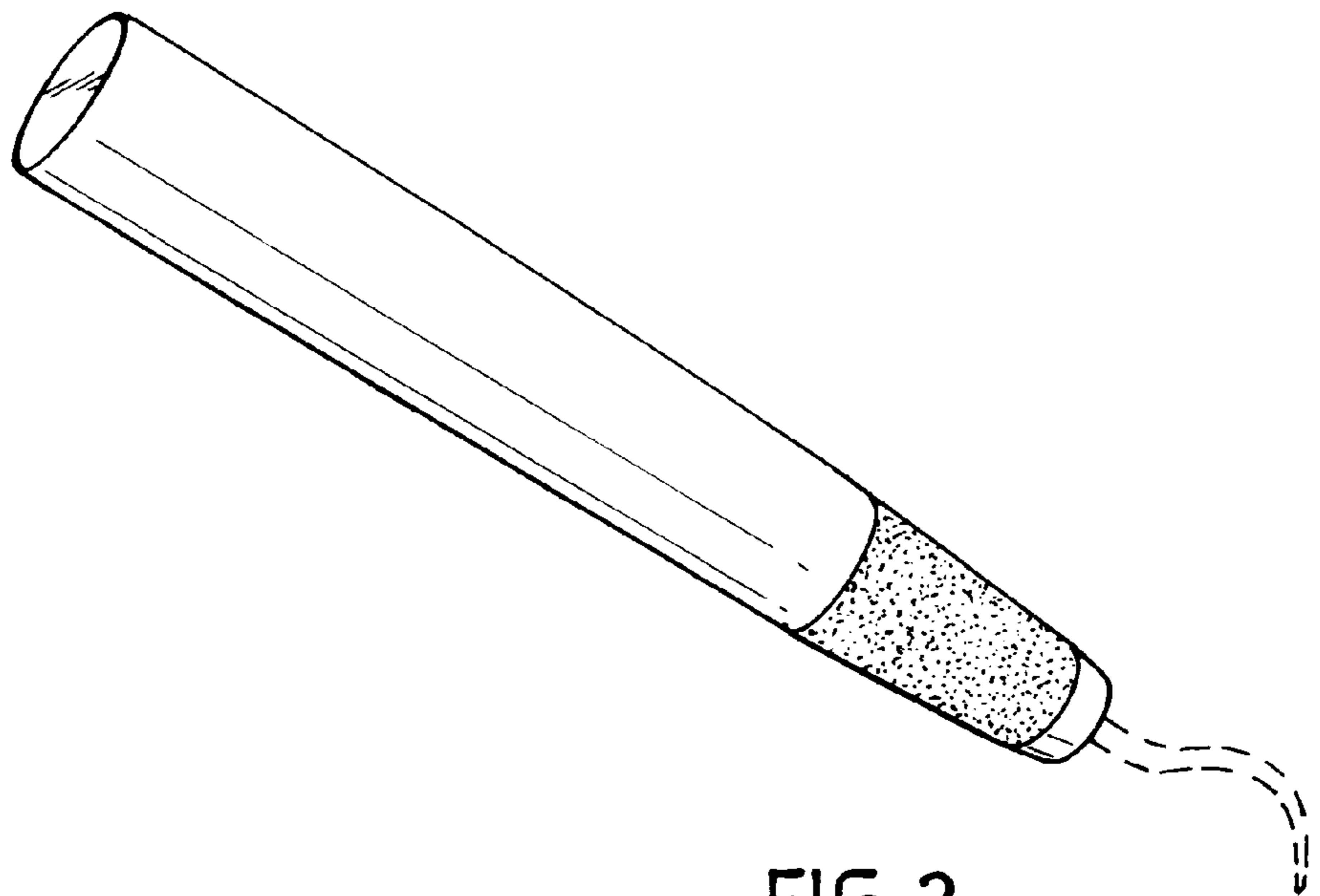


FIG. 2

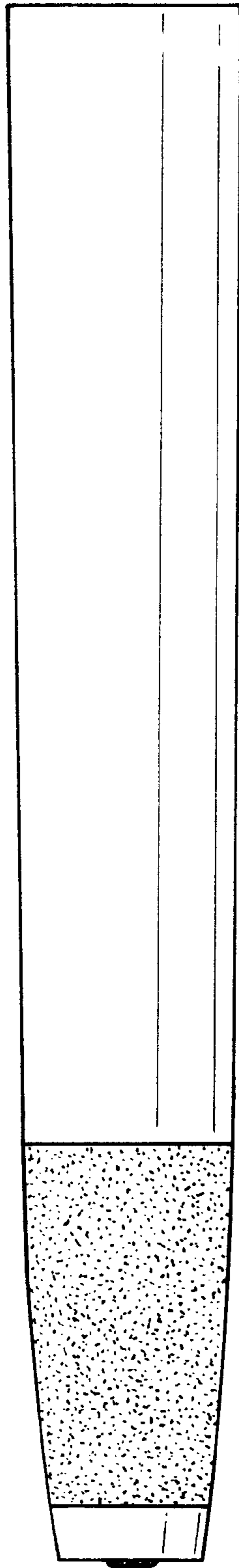


FIG. 3

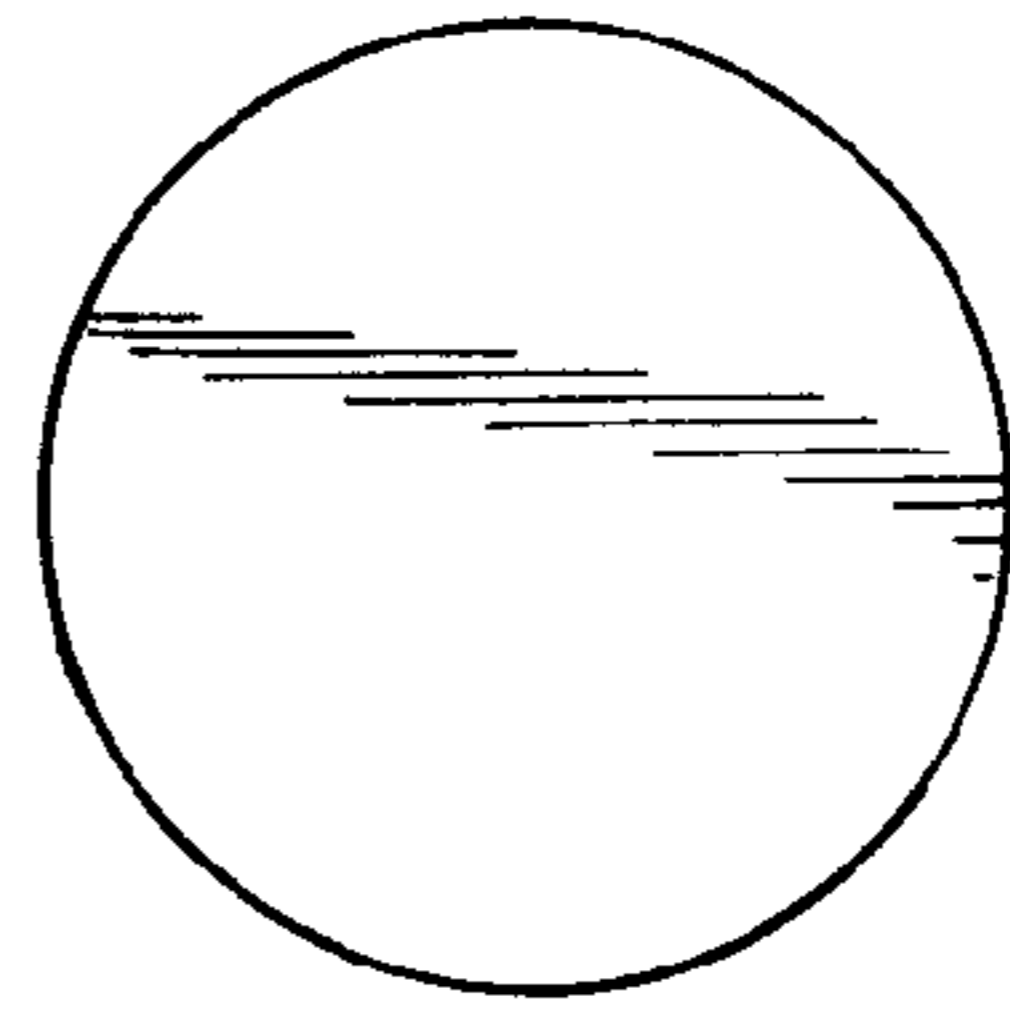


FIG. 4

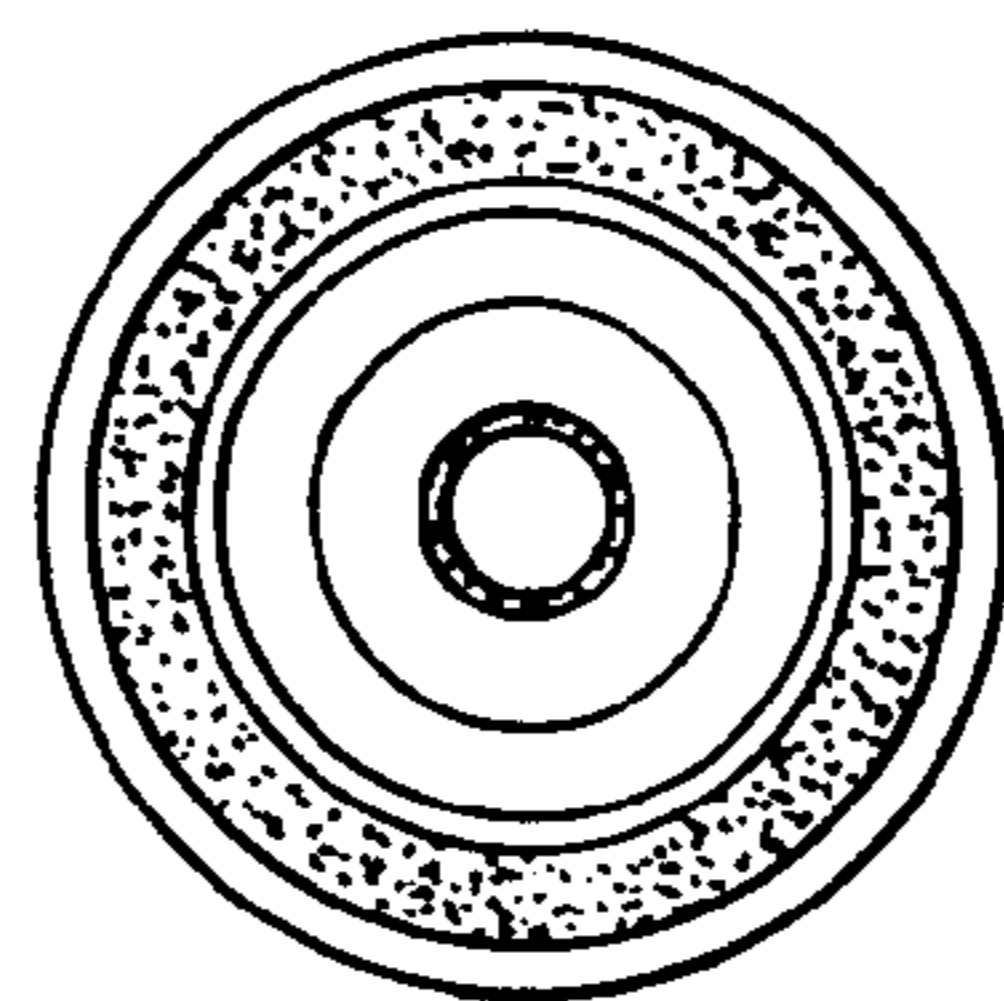


FIG. 5