



US00D428142S

United States Patent [19]
Stromblad

[11] **Patent Number: Des. 428,142**
[45] **Date of Patent: ** *Jul. 11, 2000**

[54] **TOPICAL APPLICATOR WITH CAP**

[75] Inventor: **Lena Stromblad**, Svalov, Sweden

[73] Assignee: **Pharmacia & Upjohn AB**, Stockholm, Sweden

[*] Notice: This patent is subject to a terminal disclaimer.

[**] Term: **14 Years**

[21] Appl. No.: **29/093,795**

[22] Filed: **Sep. 18, 1998**

[30] **Foreign Application Priority Data**

Mar. 20, 1998 [SE] Sweden 980655

[51] **LOC (7) Cl.** **24-02**

[52] **U.S. Cl.** **D24/119**

[58] **Field of Search** D24/119, 108, D24/107, 211; 604/310, 518; 401/261, 262, 263, 264, 265, 266; 206/210; 601/134, 135, 136, 139

[56] **References Cited**

U.S. PATENT DOCUMENTS

D. 243,122 1/1977 Dash D24/115

D. 351,229 10/1994 Wirt D24/119
D. 377,978 2/1997 Haber et al. D24/119
1,595,324 8/1926 Van Sant D24/211 X
1,595,327 8/1926 Van Sant D24/211 X
5,006,004 4/1991 Dirksing et al. 401/261
5,019,033 5/1991 Geria 604/2

Primary Examiner—Stella Reid
Attorney, Agent, or Firm—Birch, Stewart, Kolasch & Birch, LLP

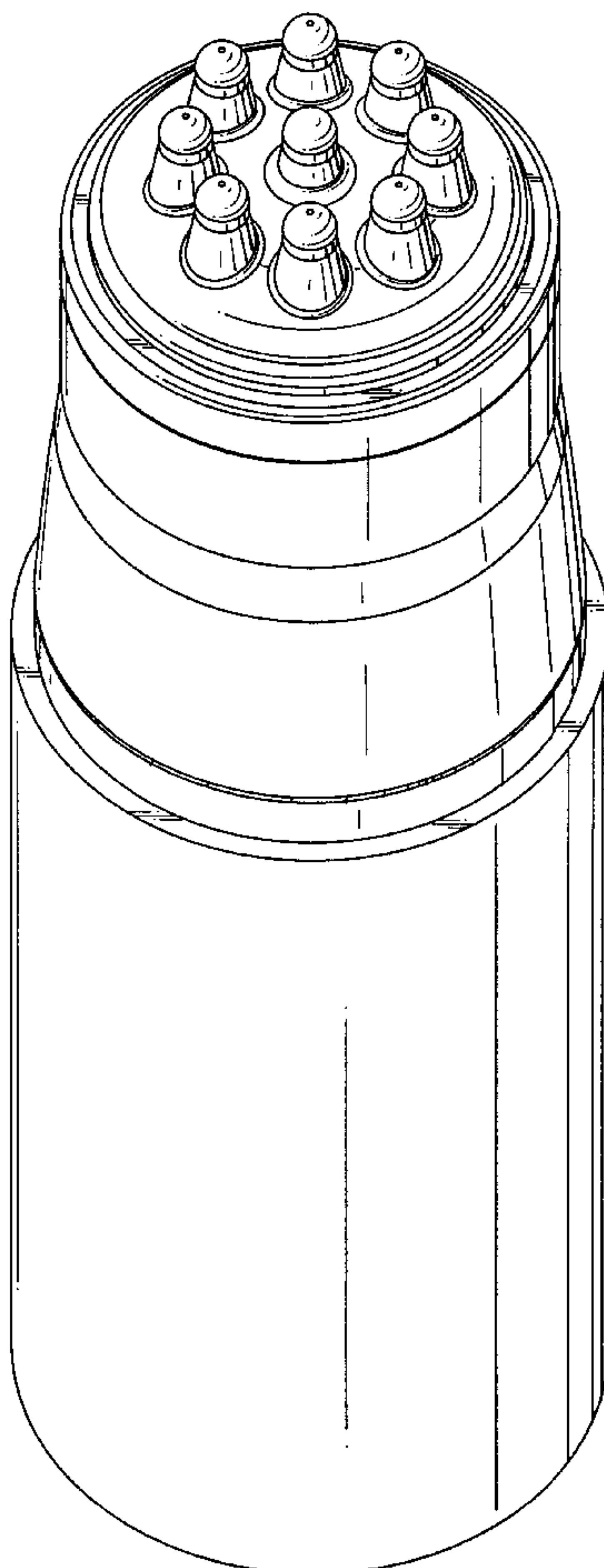
[57] **CLAIM**

The ornamental design for a topical applicator with cap, as shown and described.

DESCRIPTION

FIG. 1 is a top view of the topical applicator with cap, showing my new design;
FIG. 2 is a bottom view of the cap portion of the topical applicator;
FIG. 3 is a side view thereof;
FIG. 4 is a top perspective view thereof;
FIG. 5 is a bottom perspective view thereof;
FIG. 6 is a side view of the topical applicator with cap attached;
FIG. 7 is a top perspective view thereof; and,
FIG. 8 is a bottom perspective view thereof.

1 Claim, 8 Drawing Sheets



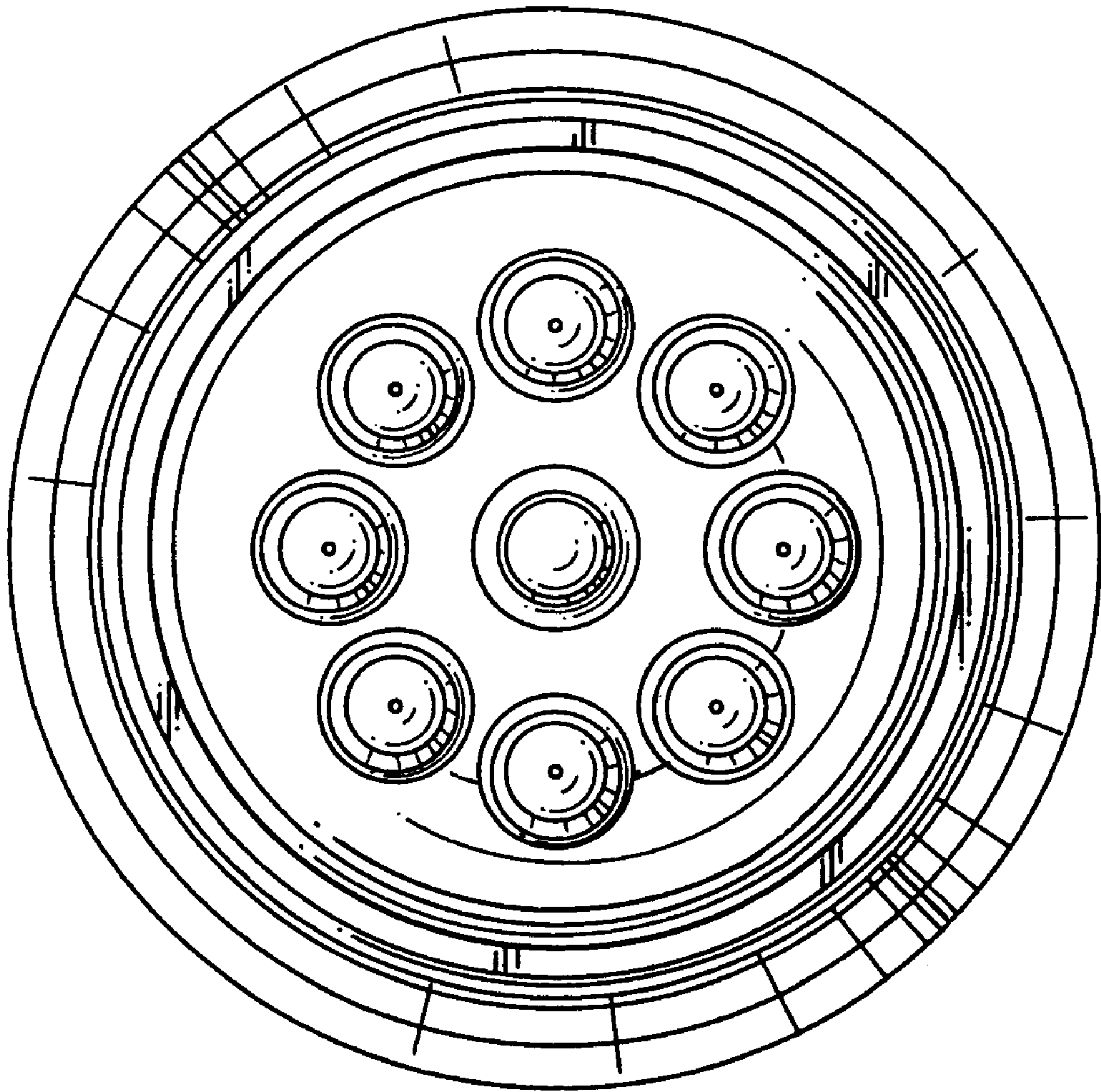


Fig. 1

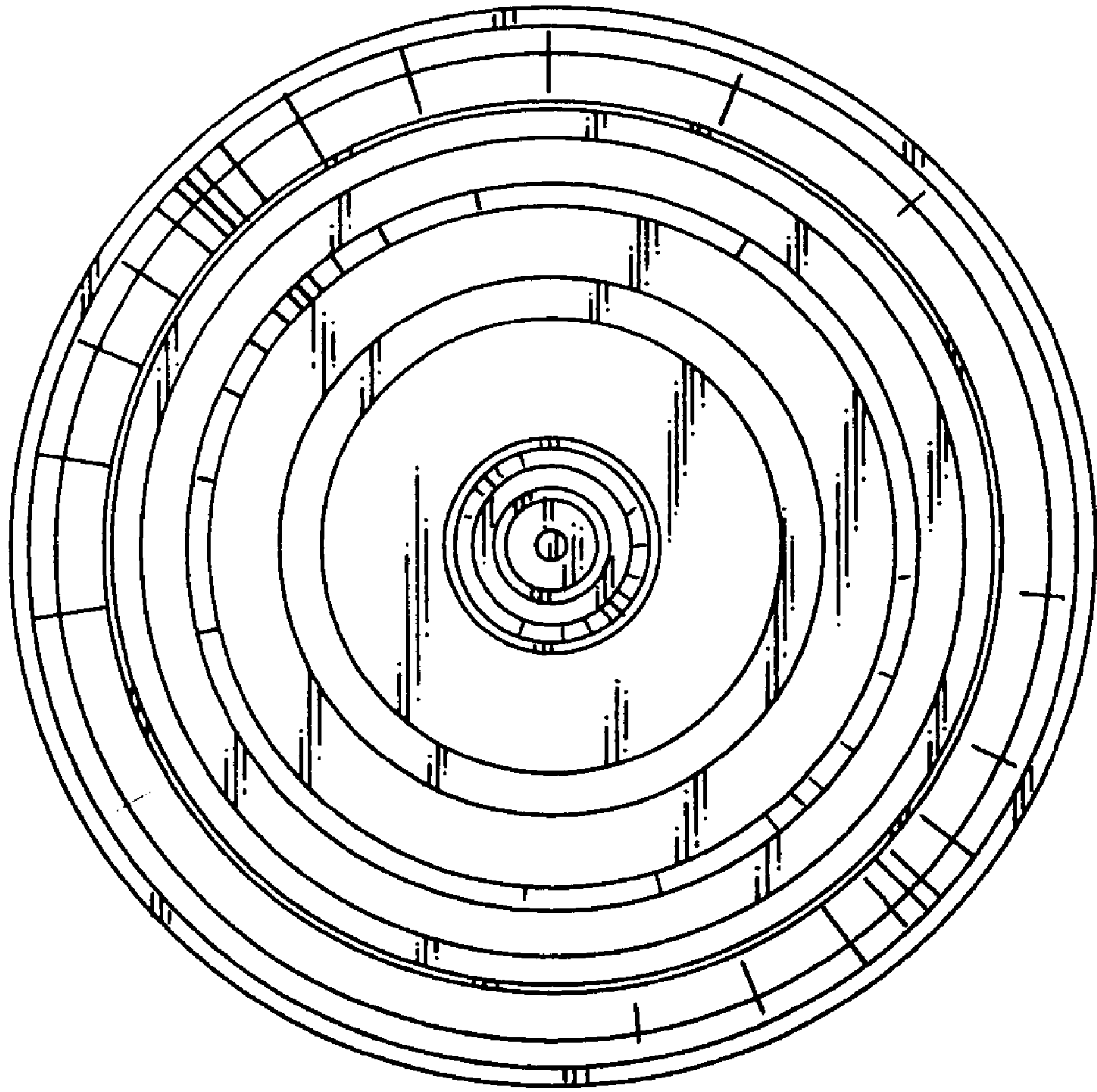


Fig. 2

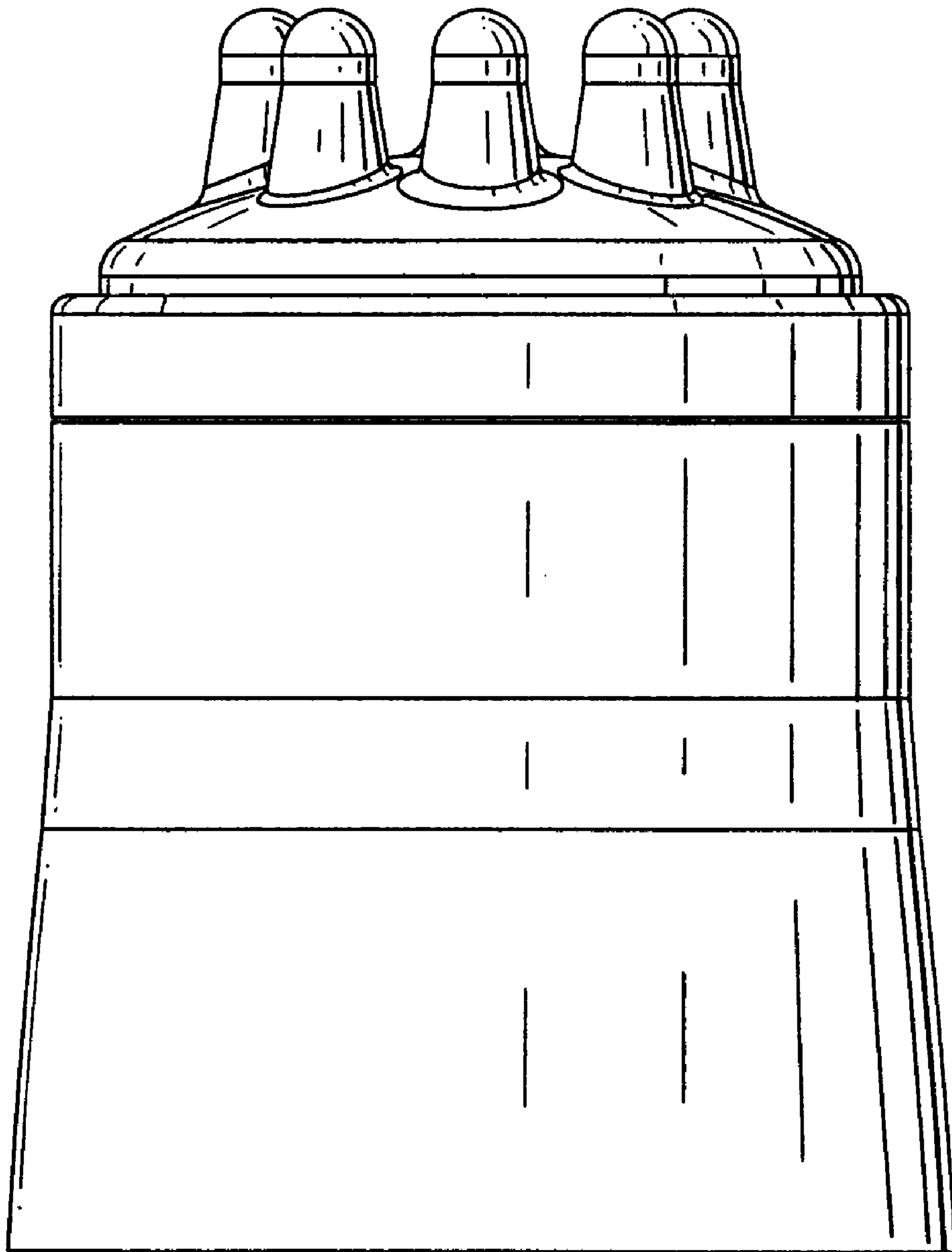


Fig. 3

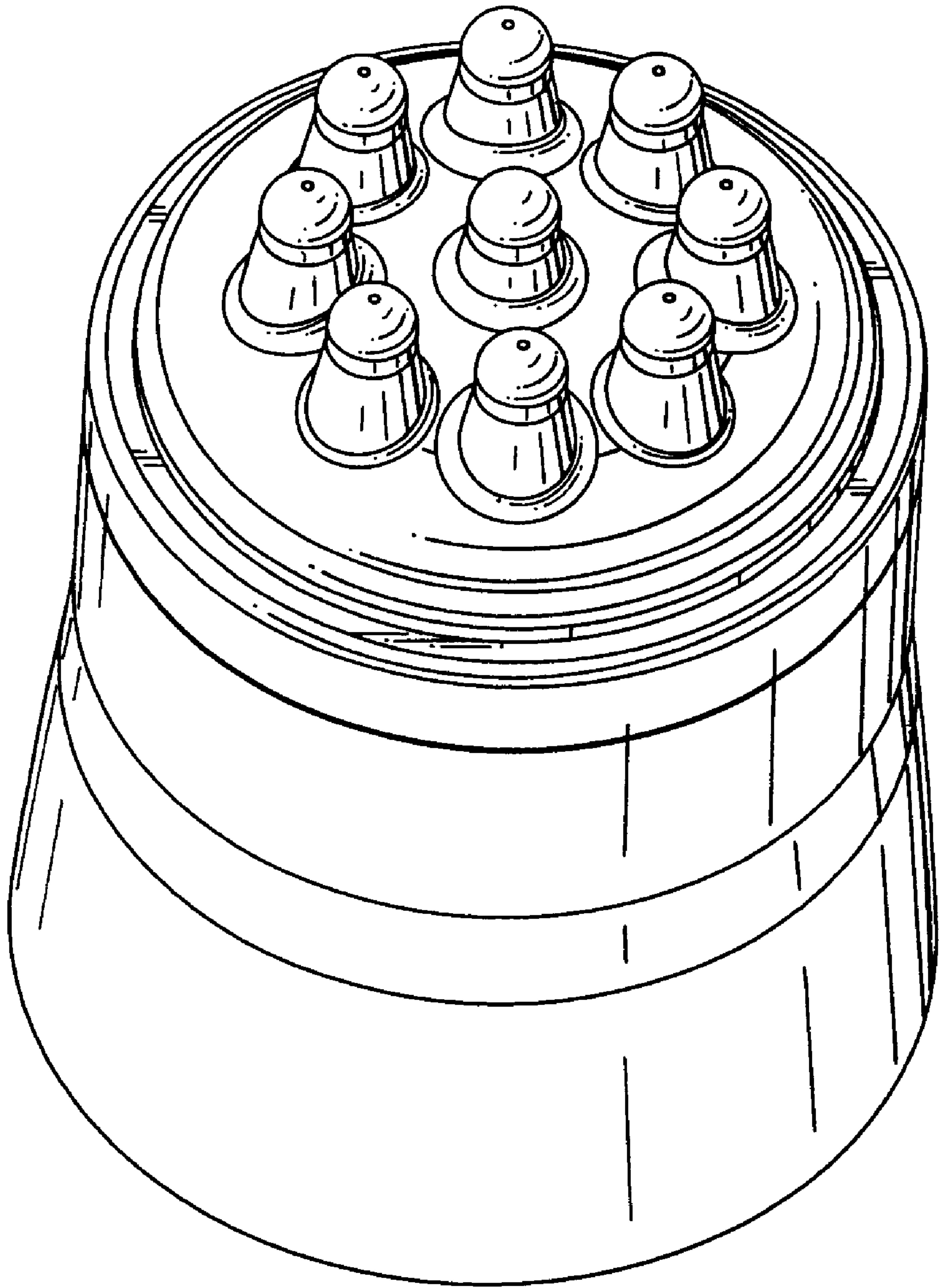


Fig. 4

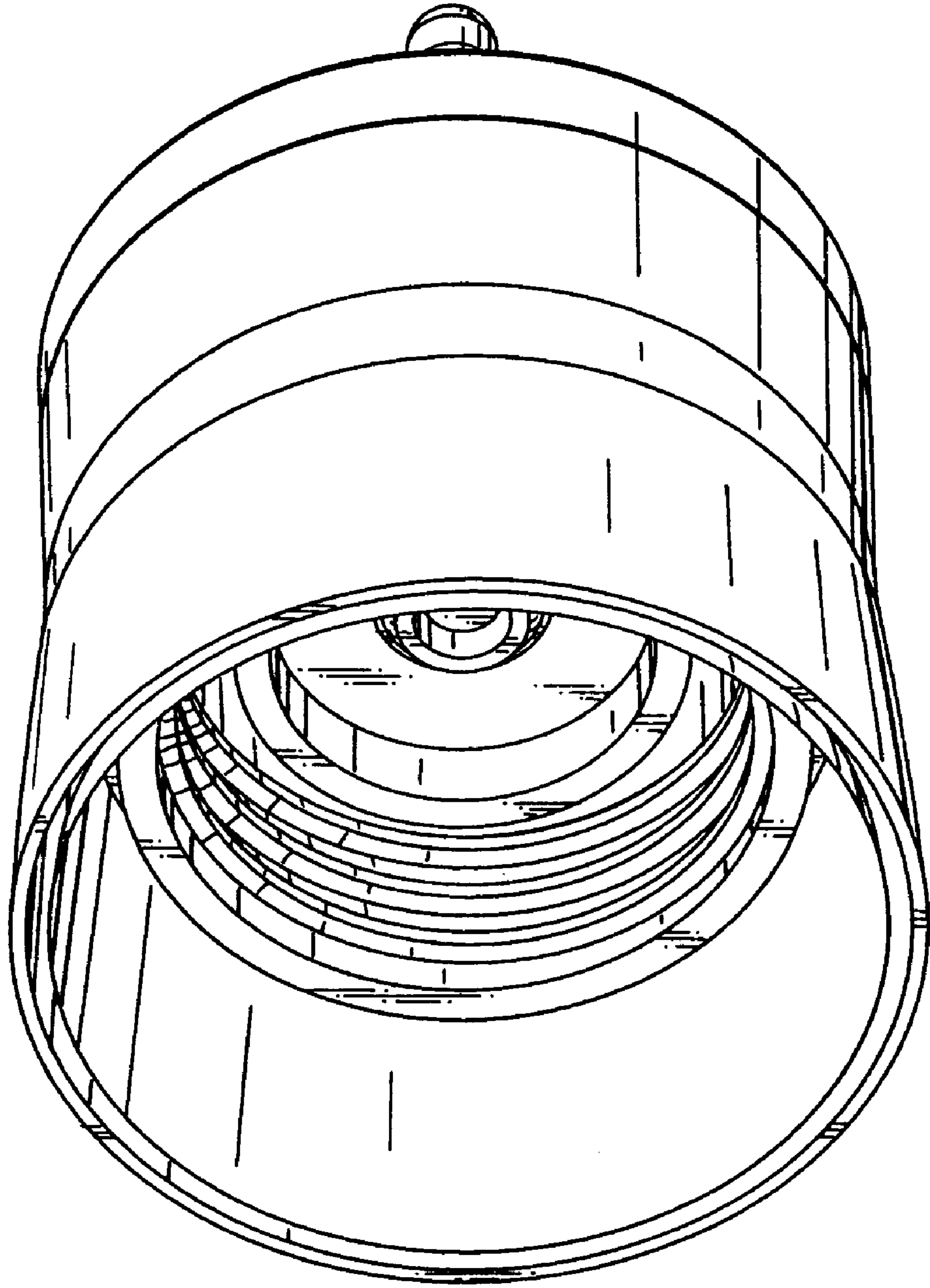


Fig. 5

Fig. 6

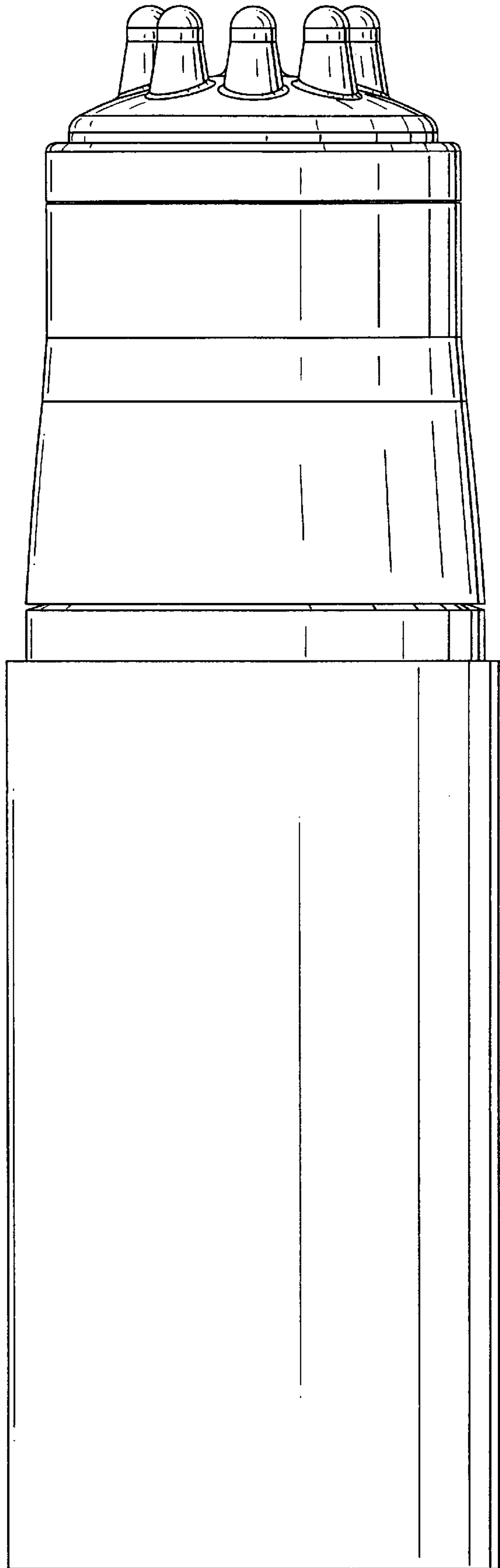


Fig. 7

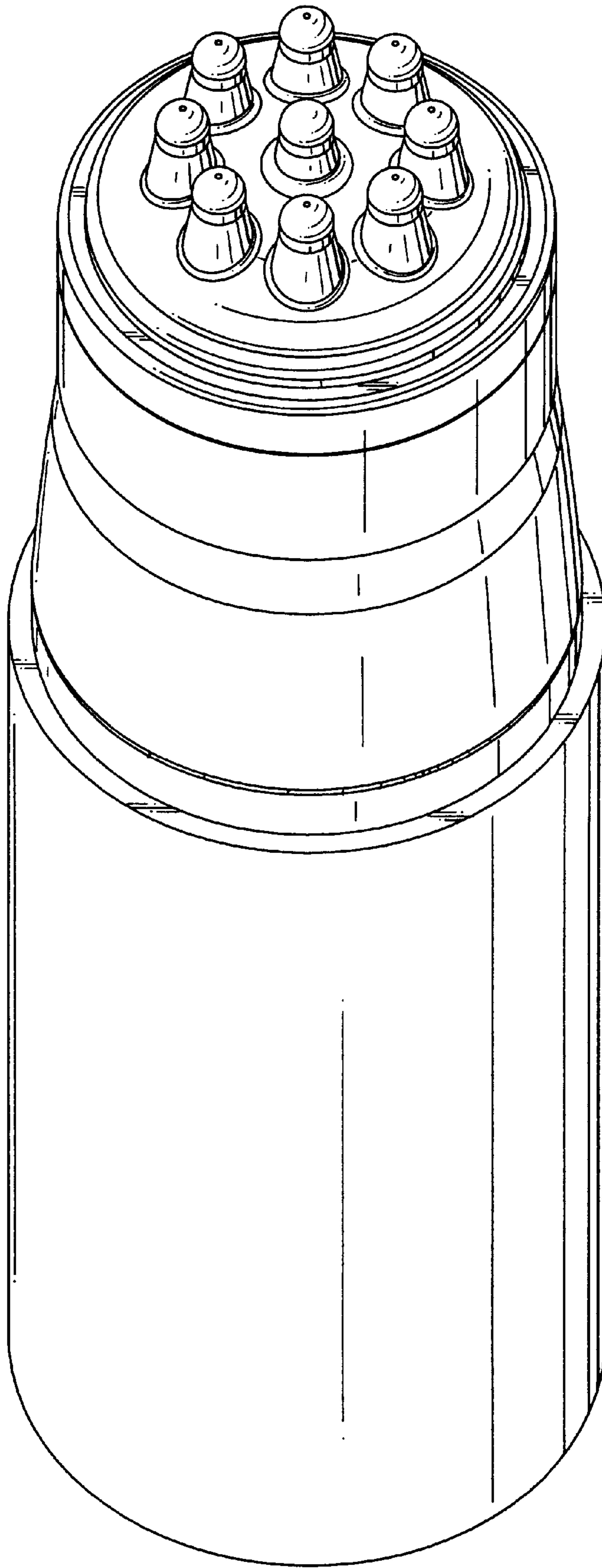


Fig. 8

