



US00D428139S

# United States Patent [19] Smart

[11] Patent Number: Des. 428,139

[45] Date of Patent: \*\* Jul. 11, 2000

[54] MASK FRAME

[76] Inventor: **Gregory Scott Smart**, 30 Howard Street, Randwick, New South Wales, 2031, Australia

[\*\*] Term: **14 Years**

[21] Appl. No.: **29/101,860**

[22] Filed: **Mar. 12, 1999**

[30] Foreign Application Priority Data

Dec. 9, 1998 [AU] Australia ..... 3922/1998

[51] LOC (7) Cl. .... **29-02**

[52] U.S. Cl. .... **D24/110.4; D24/110.5**

[58] Field of Search ..... D24/110.1, 110.4, D24/110.5; 128/206.24, 205.25, 206.21, 206.26, 207.18, 206.12, 206.11, 207.13, 207.12, 207.11, 207.17

[56] References Cited

U.S. PATENT DOCUMENTS

D. 236,033	7/1975	Dryden	.....	D24/110.4
D. 239,469	4/1976	Halldin et al.	.....	D24/110.4
D. 293,613	1/1988	Wingler	.....	D29/7
D. 300,473	3/1989	Roush	.....	D24/110.4
D. 302,746	8/1989	Shirley	.....	D24/110.4
D. 333,015	2/1993	Farmer et al.	.....	D24/110.4
D. 334,633	4/1993	Rudolph	.....	D29/7
D. 362,061	9/1995	Mc Ginnis et al.	.....	D24/110.4
D. 377,089	12/1996	Starr et al.	.....	D24/110.1
D. 402,755	12/1998	Kwok	.....	D24/110.4
D. 420,128	2/2000	Hoening	.....	D24/110.1
2,317,608	1/1943	Heidbrink	.....	128/146
2,376,871	5/1945	Fink	.....	128/146
4,328,797	5/1982	Rollins, III et al.	.....	128/202.27
4,402,316	9/1983	Gadberry	.....	128/201.15
5,005,571	4/1991	Dietz	.....	128/205.25
5,265,595	11/1993	Rudolph	.....	128/204.18
5,465,712	11/1995	Malis et al.	.....	128/205.25
5,676,133	10/1997	Hickle et al.	.....	128/206.21
5,921,239	7/1999	McCall et al.	.....	128/205.25

FOREIGN PATENT DOCUMENTS

1039144	of 1978	Canada .
0 386 605 A1	9/1990	European Pat. Off. .
0 634 186 A2	1/1995	European Pat. Off. .
WO 92/20395	11/1992	WIPO .

OTHER PUBLICATIONS

“Disposable Full Face Mask”, Brochure by Respironics, Inc, Oct. 20, 1994., 2 pgs.

Data Sheet Advertisement for new Rudolph nasal and mouth breathing face mask two-way non-rebreathing, 1995 Hans Rudolph, Inc. (691148-1).

Data Sheet Advertisement for new Rudolph mouth breathing face mask two-way non-breathing, 1995 Hans Rudolph, Inc. (691150-1).

Data Sheet Advertisement for new Rudolph mouth breathing face mask two-way non-rebreathing. 1995 Hans Rudolph, Inc. (691151-1).

Data Sheet Advertisement for new Rudolph nasal and mouth breathing face mask two-way renon-breathing, 1995 Hans Rudolph, Inc. (691149-1)].

Data Sheet Advertisement for new Rudolph anesthesia face mask silicone, non-conductive, translucent, 1995 Hans Rudolph, Inc. (691159-1).

*Primary Examiner*—Ian Simmons

*Attorney, Agent, or Firm*—David P. Gordon; David S. Jacobson; Thomas A. Gallagher

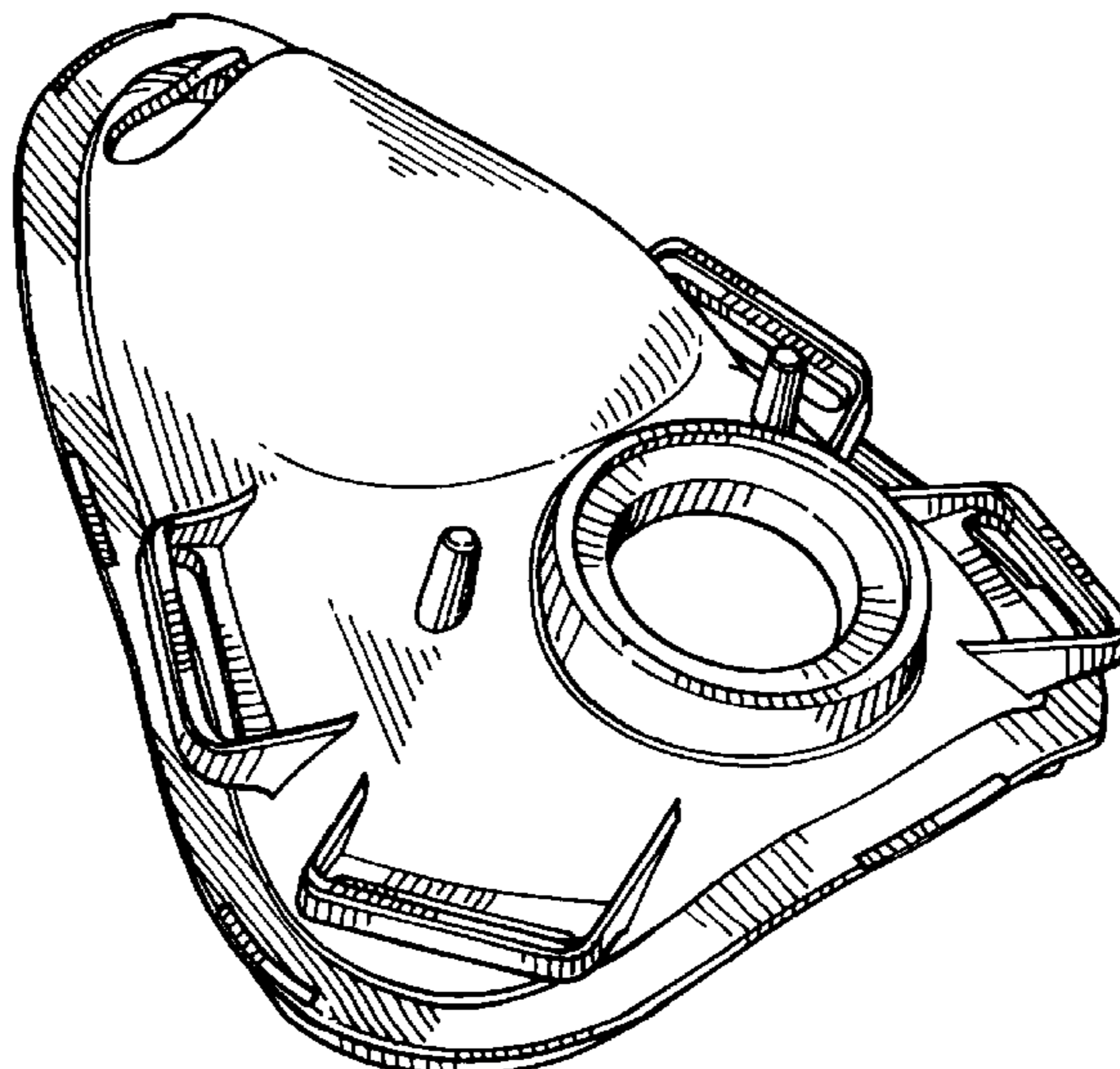
[57] CLAIM

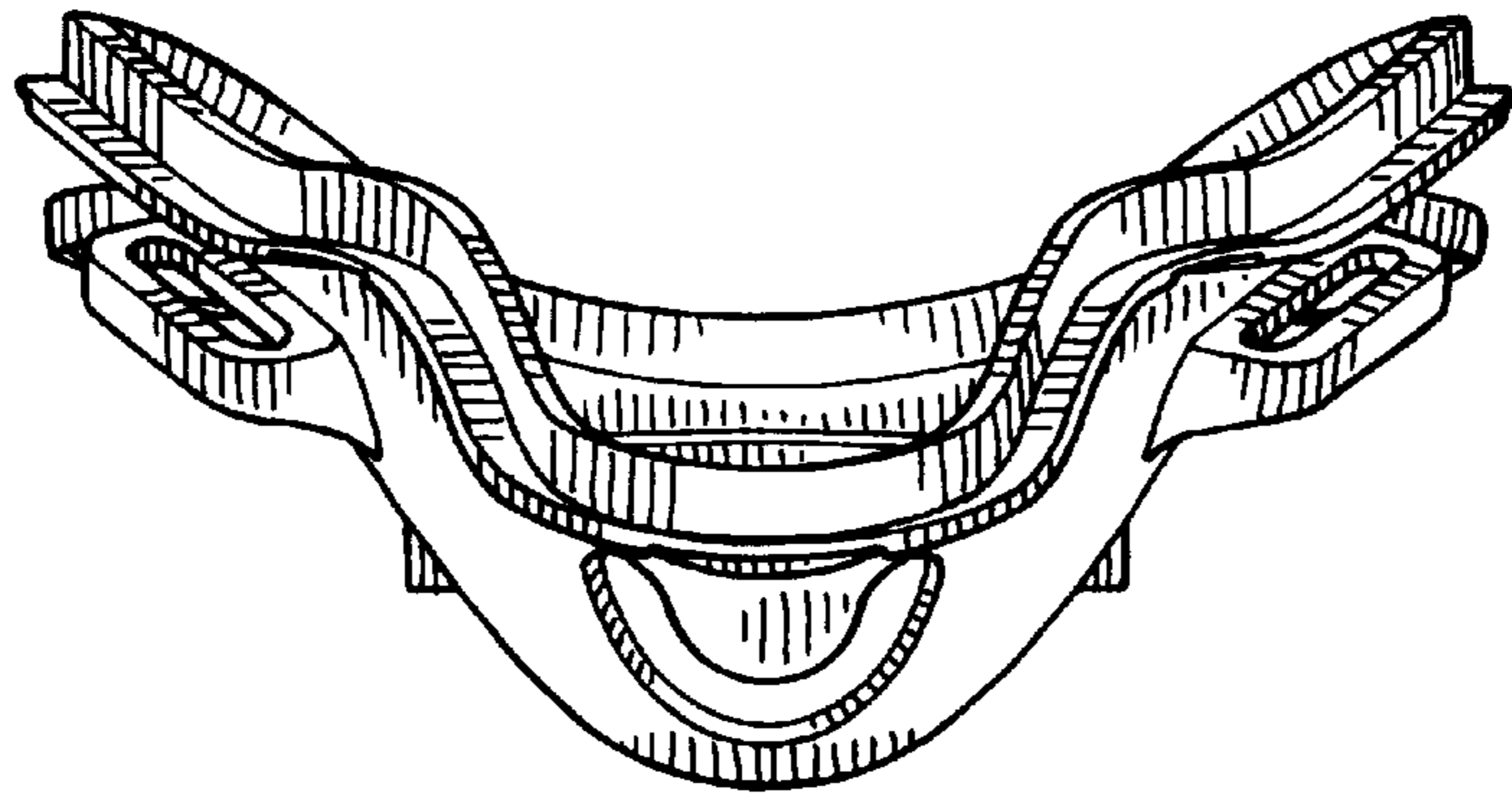
The ornamental design for a mask frame, as shown and described.

DESCRIPTION

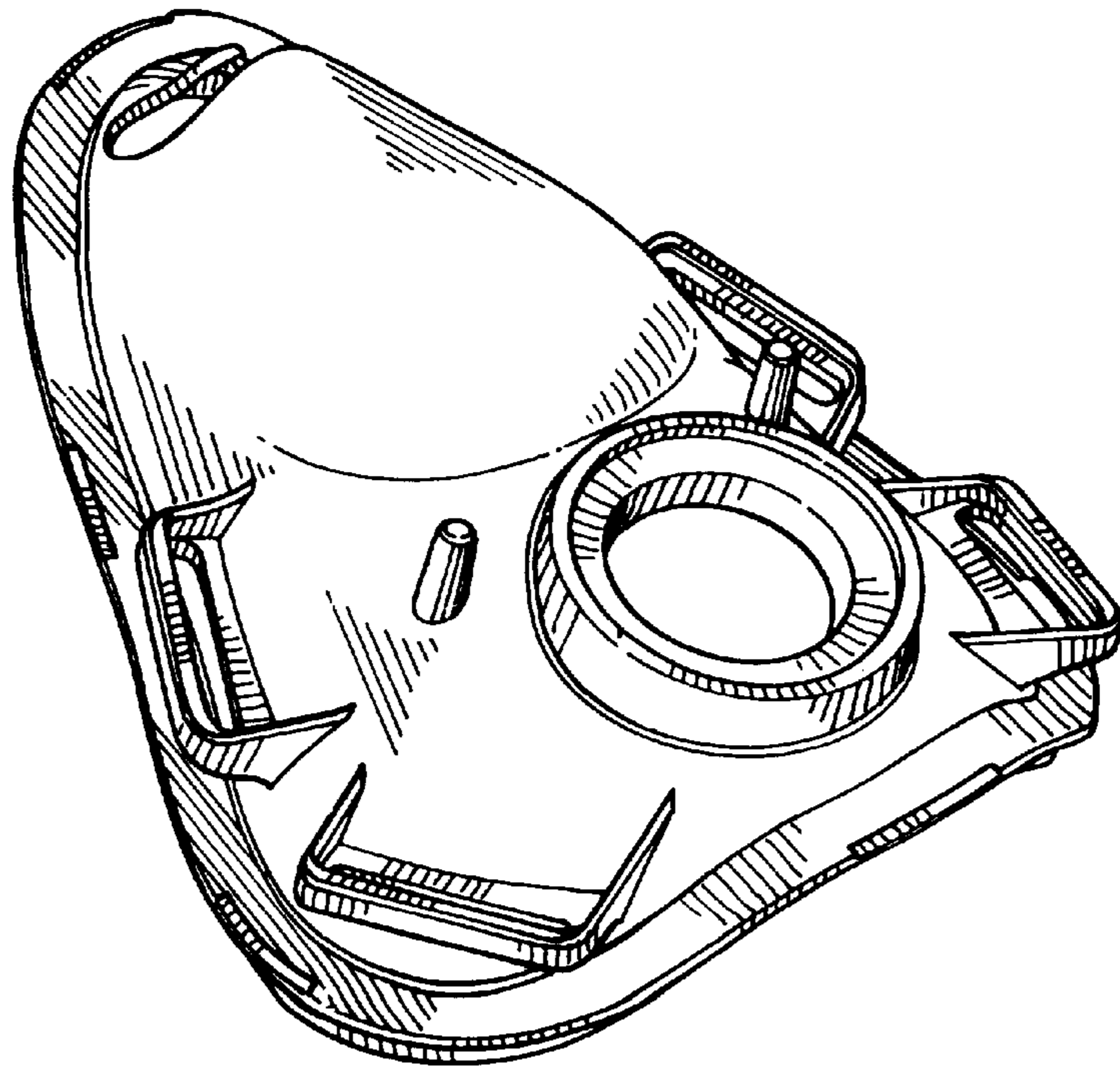
FIG. 1 is a top view;  
FIG. 2 is a front perspective view;  
FIG. 3 is a front view;  
FIG. 4 is a side view;  
FIG. 5 is a rear perspective view;  
FIG. 6 is a rear view; and,  
FIG. 7 is a bottom view.

1 Claim, 3 Drawing Sheets

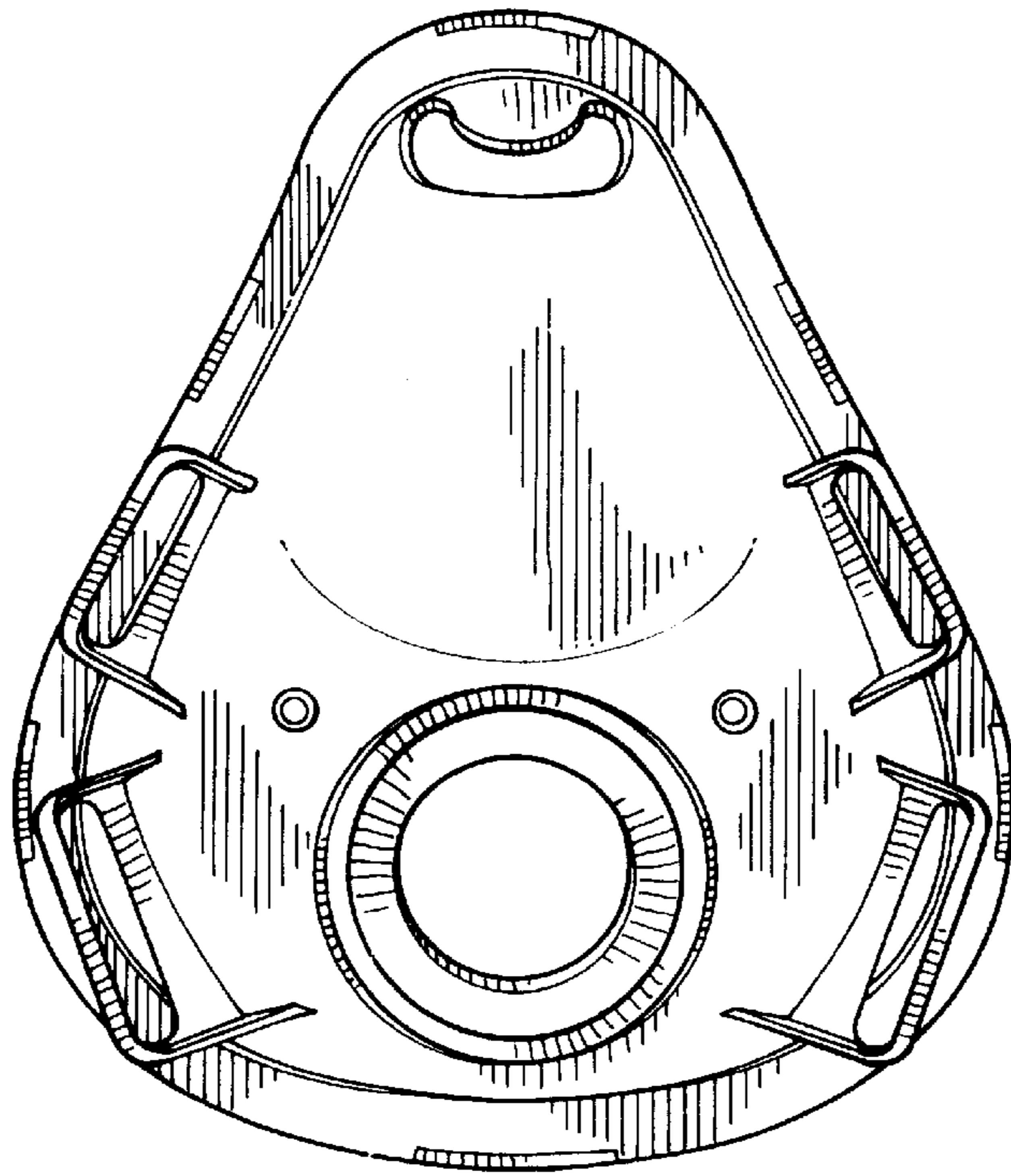




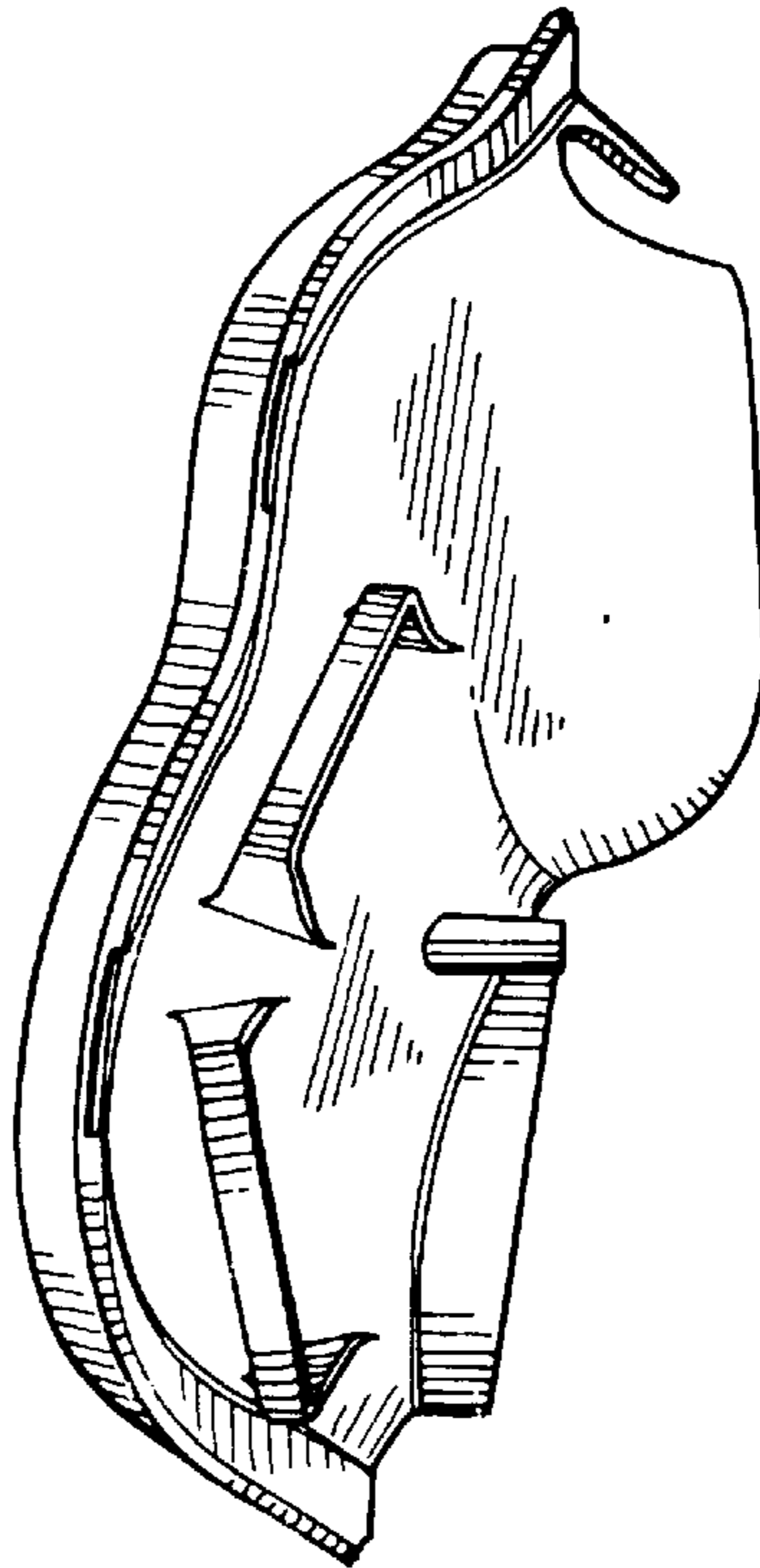
*FIG. 1*



*FIG. 2*



*FIG. 3*



*FIG. 4*



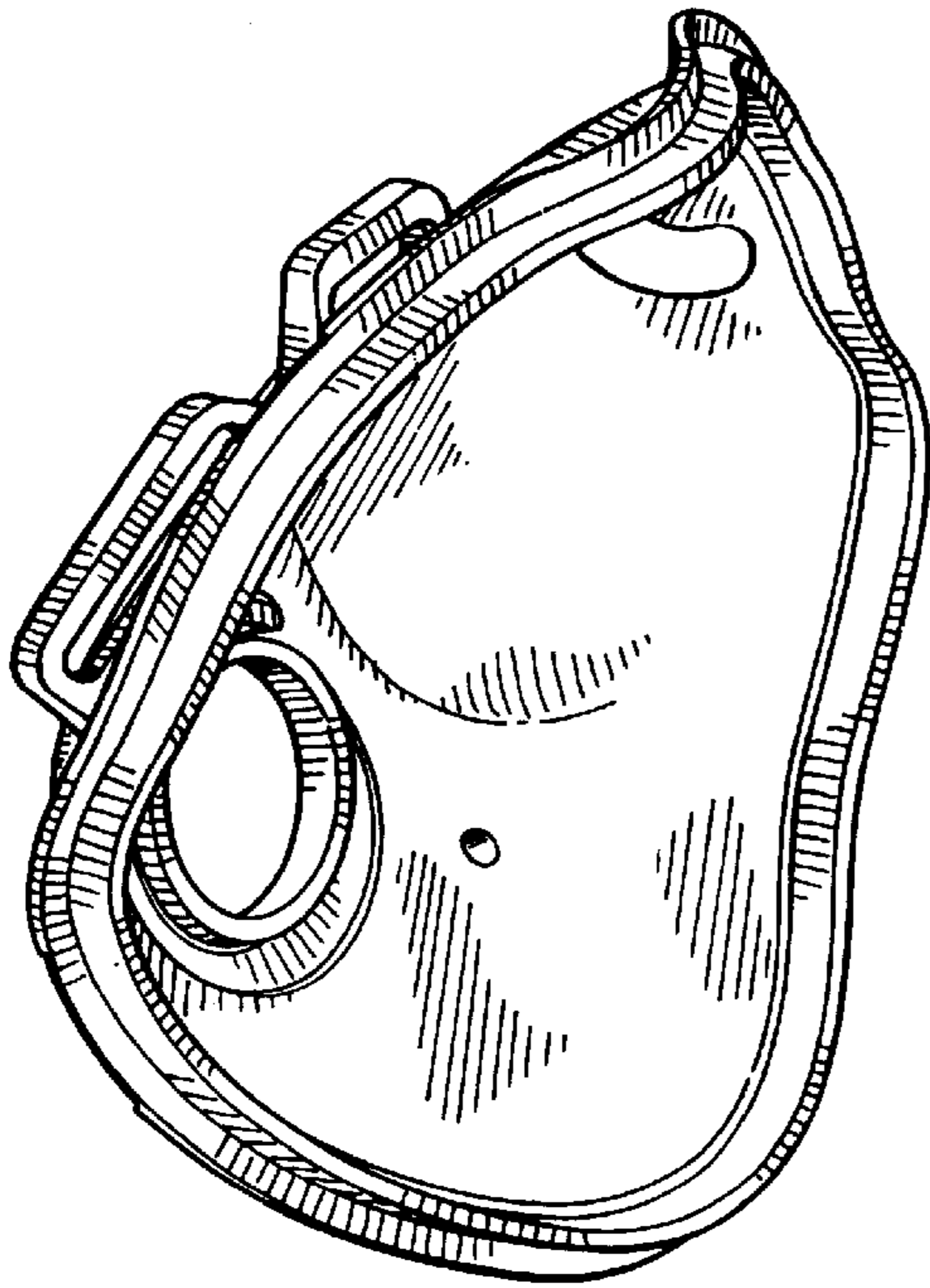


FIG. 5

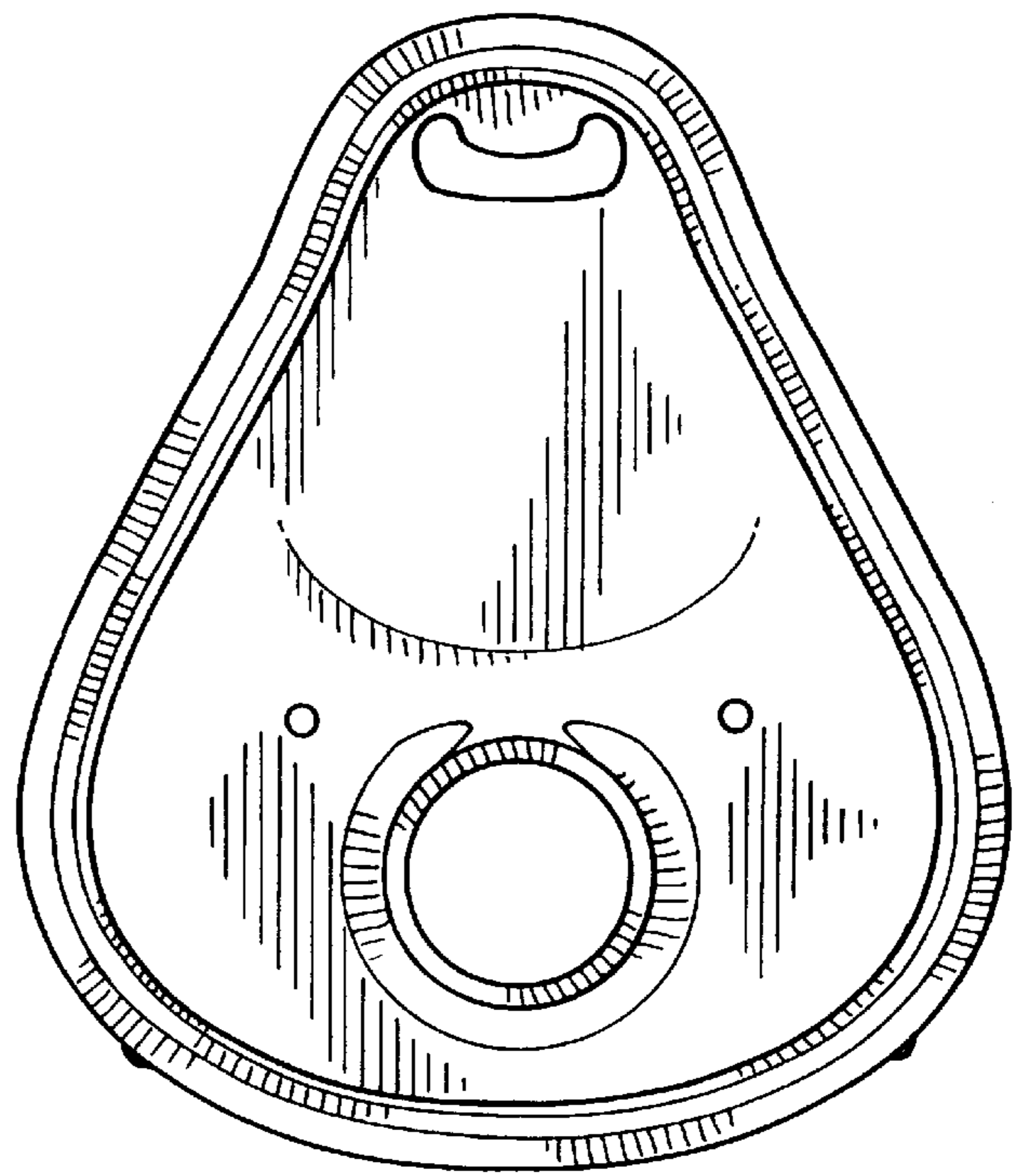


FIG. 6

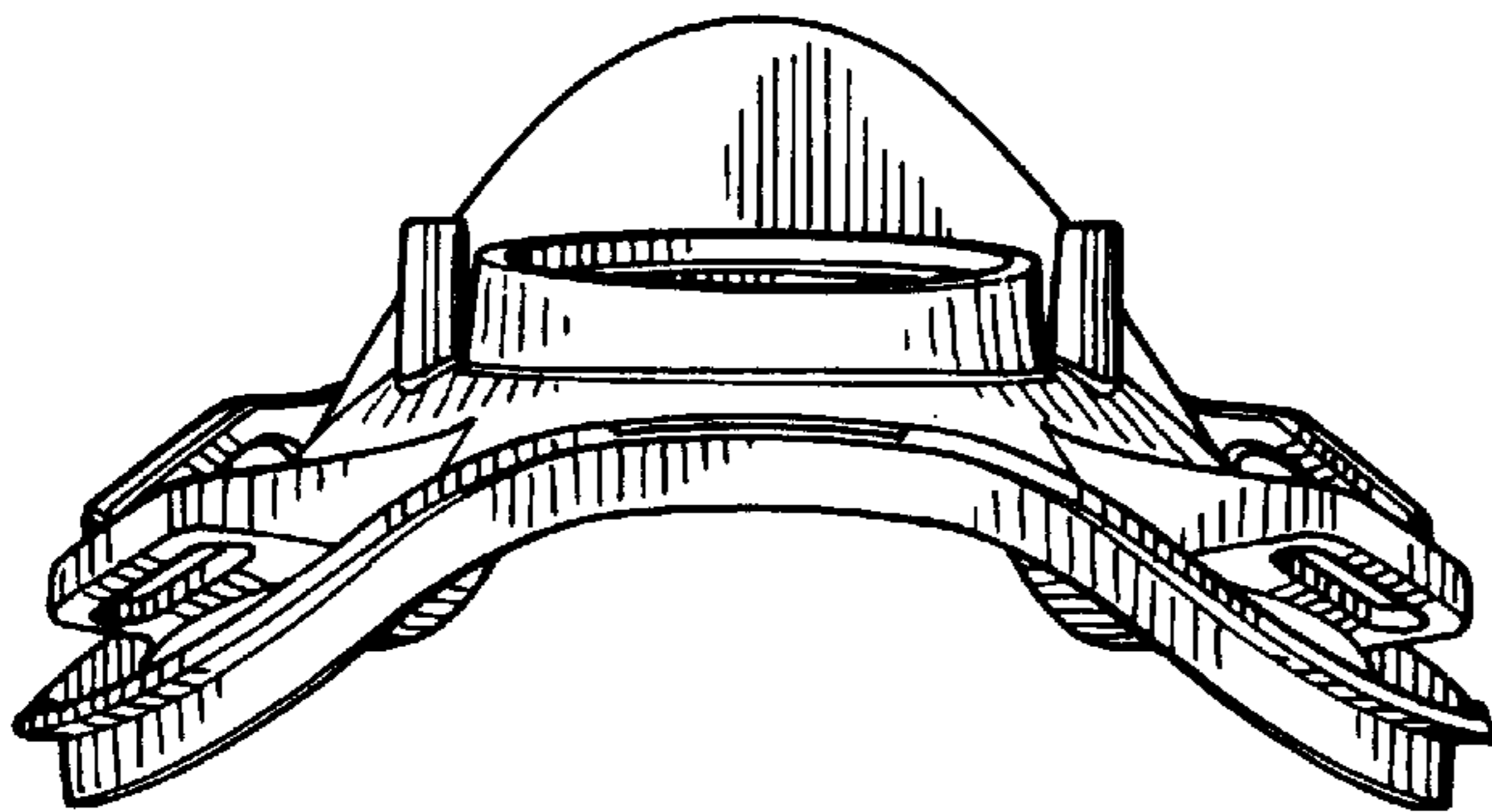


FIG. 7