



US00D428137S

United States Patent [19]

Phelan

[11] Patent Number: **Des. 428,137**

[45] Date of Patent: **** Jul. 11, 2000**

[54] **HANDLE FOR MEDICAL SURGICAL SUCTION DEVICE**

[76] Inventor: **James Phelan**, 204 Shadow Lake Dr., Lilburn, Ga. 30047

[**] Term: **14 Years**

[21] Appl. No.: **29/098,801**

[22] Filed: **Jan. 6, 1999**

[51] **LOC (7) Cl.** **24-01**

[52] **U.S. Cl.** **D24/108; D24/112**

[58] **Field of Search** D24/112, 108; 604/30, 119, 19, 35, 118, 275, 902; 433/93, 91, 95

[56] **References Cited**

U.S. PATENT DOCUMENTS

| | | | |
|------------|---------|---------------------|---------|
| D. 206,714 | 1/1967 | Badkar | D24/129 |
| D. 223,247 | 4/1972 | Brodsky et al. | D24/112 |
| D. 233,264 | 10/1974 | Geraci et al. . | |
| D. 241,476 | 9/1976 | Lahay . | |
| D. 247,915 | 5/1978 | Lahay . | |
| D. 287,165 | 12/1986 | Lipsky et al. | D24/112 |
| D. 359,118 | 6/1995 | Nates | D24/112 |
| D. 364,456 | 11/1995 | Solnit et al. . | |
| 2,531,730 | 11/1950 | Henderson . | |

| | | | |
|-----------|---------|-------------------|---------|
| 2,711,586 | 6/1955 | Groves . | |
| 3,515,160 | 6/1970 | Leffler . | |
| 3,807,048 | 4/1974 | Malmin . | |
| 3,863,635 | 2/1975 | Swatman . | |
| 3,963,028 | 6/1976 | Cooley et al. . | |
| 4,083,115 | 4/1978 | McKelvey . | |
| 4,878,900 | 11/1989 | Sundt . | |
| 5,013,300 | 5/1991 | Williams . | |
| 5,151,094 | 9/1992 | Hanifl | 604/118 |
| 5,520,651 | 5/1996 | Sutcu et al. . | |
| 5,723,840 | 3/1998 | Bojic et al. . | |
| 5,964,733 | 10/1999 | Laabs et al. | 604/119 |
| 5,975,897 | 11/1999 | Propp et al. | 433/91 |

Primary Examiner—Ian Simmons
Attorney, Agent, or Firm—Eric P. Schellin

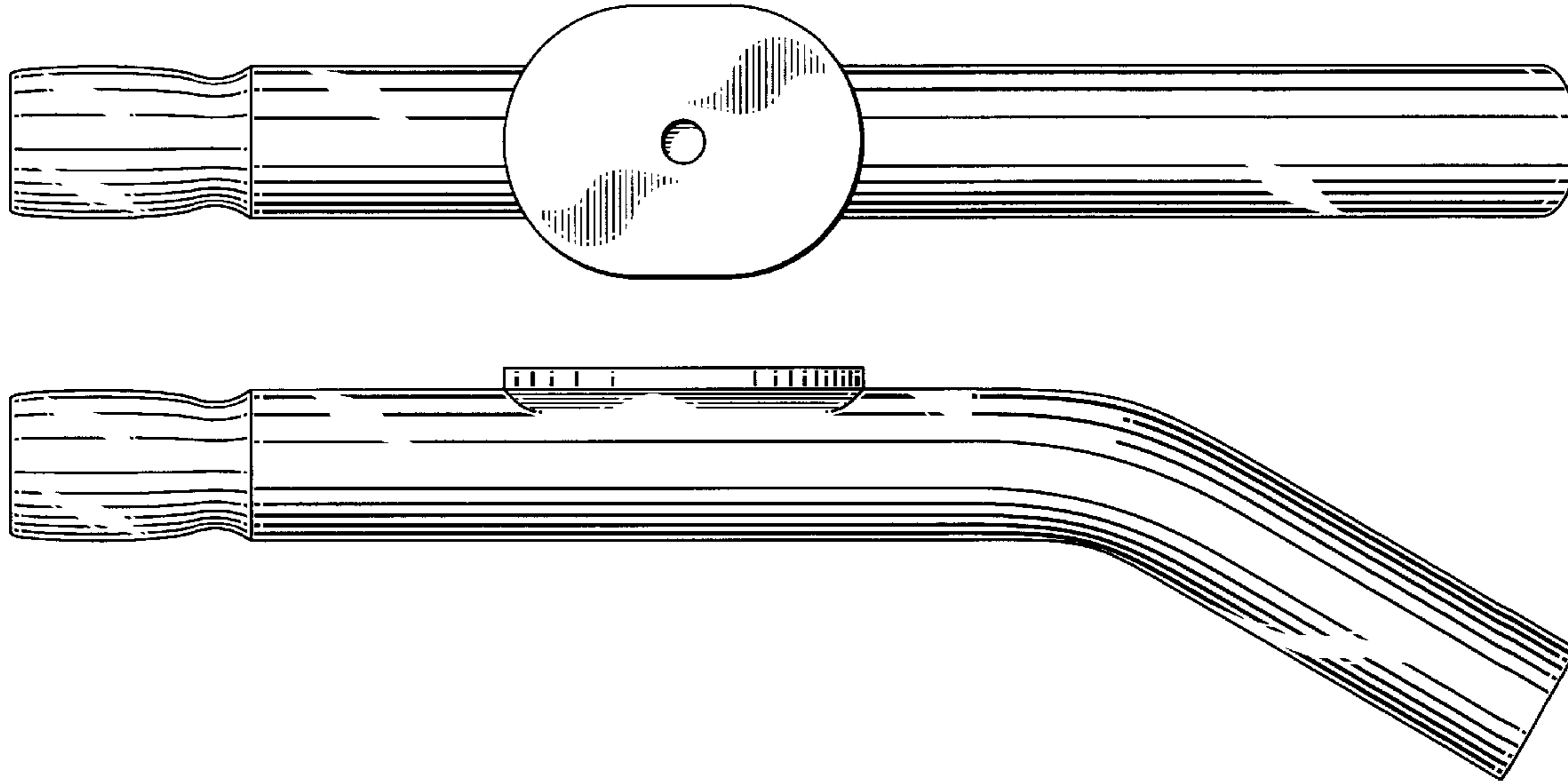
[57] **CLAIM**

The ornamental design for a handle for medical surgical suction device, as shown and described.

DESCRIPTION

FIG. 1 is a top view of the handle of the suction device; FIG. 2 is a side view of the handle, the opposite side thereof is identical; FIG. 3 is an end view of the handle; FIG. 4 is an opposite side view of the handle; and, FIG. 5 is a bottom of the handle.

1 Claim, 1 Drawing Sheet



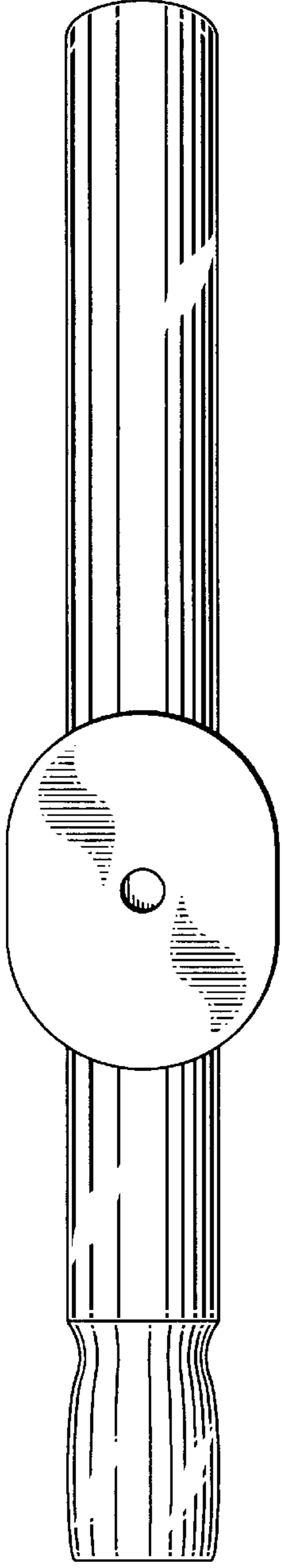


Fig. 1

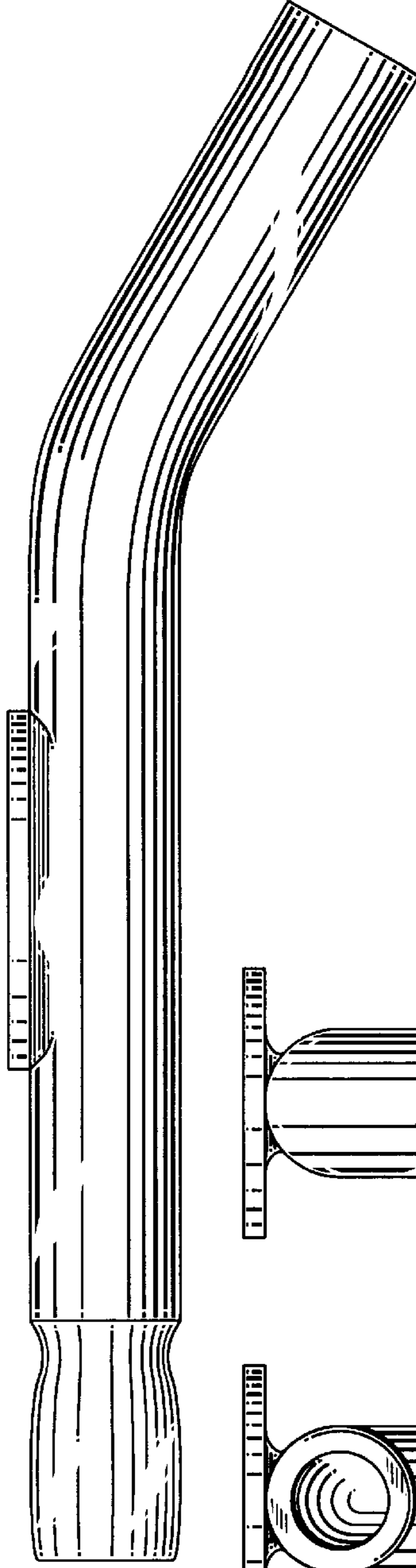


Fig. 2

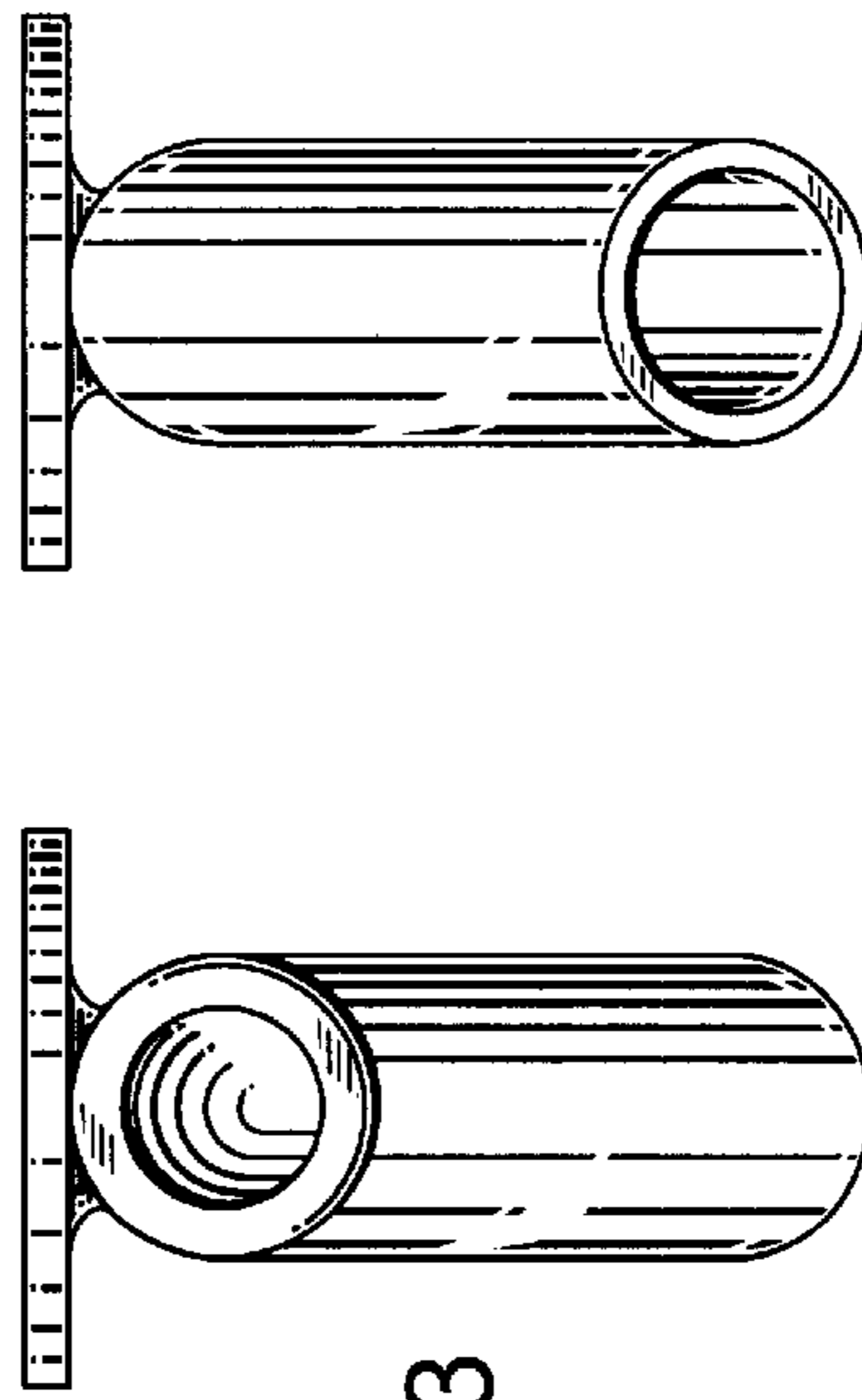


Fig. 3

Fig. 4

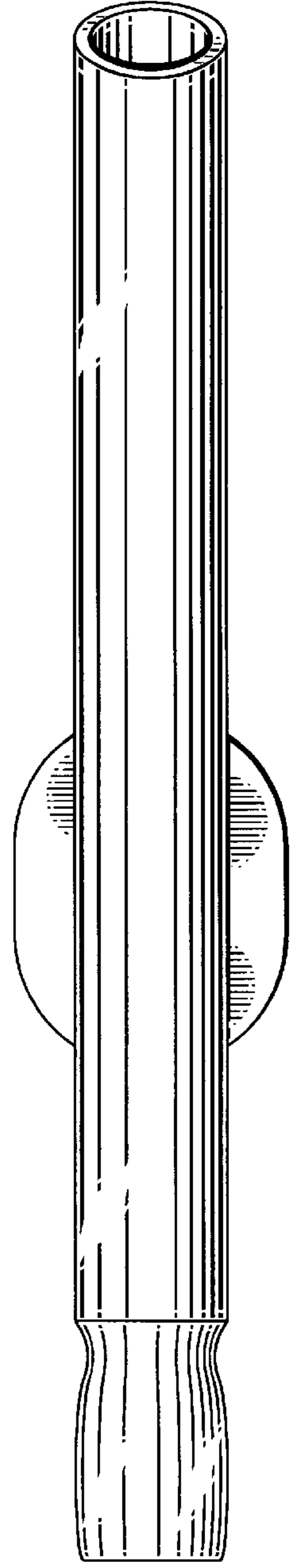


Fig. 5