



US00D428136S

United States Patent [19]

Cady et al.

[11] Patent Number: Des. 428,136

[45] Date of Patent: ** Jul. 11, 2000

[54] BONE SHAPED TABLET

[75] Inventors: Susan Mancini Cady, Yardley; Robert C. Sterling, Nazareth, both of Pa.

[73] Assignee: Hoechst Roussel Vet, Warren, N.J.

[**] Term: 14 Years

[21] Appl. No.: 29/104,120

[22] Filed: Apr. 28, 1999

[51] LOC (7) Cl. 28-01

[52] U.S. Cl. D24/101

[58] Field of Search D24/101, 100, D24/102, 103, 104; 424/440, 441, 10.2, 10.3, 451, 457, 464, 468-470, 472, 474, 408; D28/8.1, 8.2; D1/100, 106, 112, 115, 127, 128, 130, 121, 199

[56] References Cited

U.S. PATENT DOCUMENTS

- D. 286,919 11/1986 Flockhart et al. D24/101
- D. 305,951 2/1990 Spiel et al. D24/101

Primary Examiner—Antoine Duval Davis
Attorney, Agent, or Firm—Michel W. Ferrell

[57] CLAIM

The ornamental design for a bone shaped tablet, as shown.

DESCRIPTION

A portion of the disclosure of this patent document contains material to which a claim for copyright is made. The copyright owner has no objection to the facsimile reproduction by anyone of the patent document or the patent disclosure as it appears in the Patent and Trademark Office patent files or records, but reserves all other copyright rights whatsoever.

FIG. 1 is a perspective view of a bone shaped tablet designed in accordance with the present invention;

FIG. 2 is a view in elevation along the length of the bone shaped tablet of FIG. 1;

FIG. 3 is a view in elevation along the width of the bone shaped tablet of FIG. 1; and,

FIG. 4 is a plan view of the top of the bone shaped tablet of FIG. 1.

1 Claim, 1 Drawing Sheet

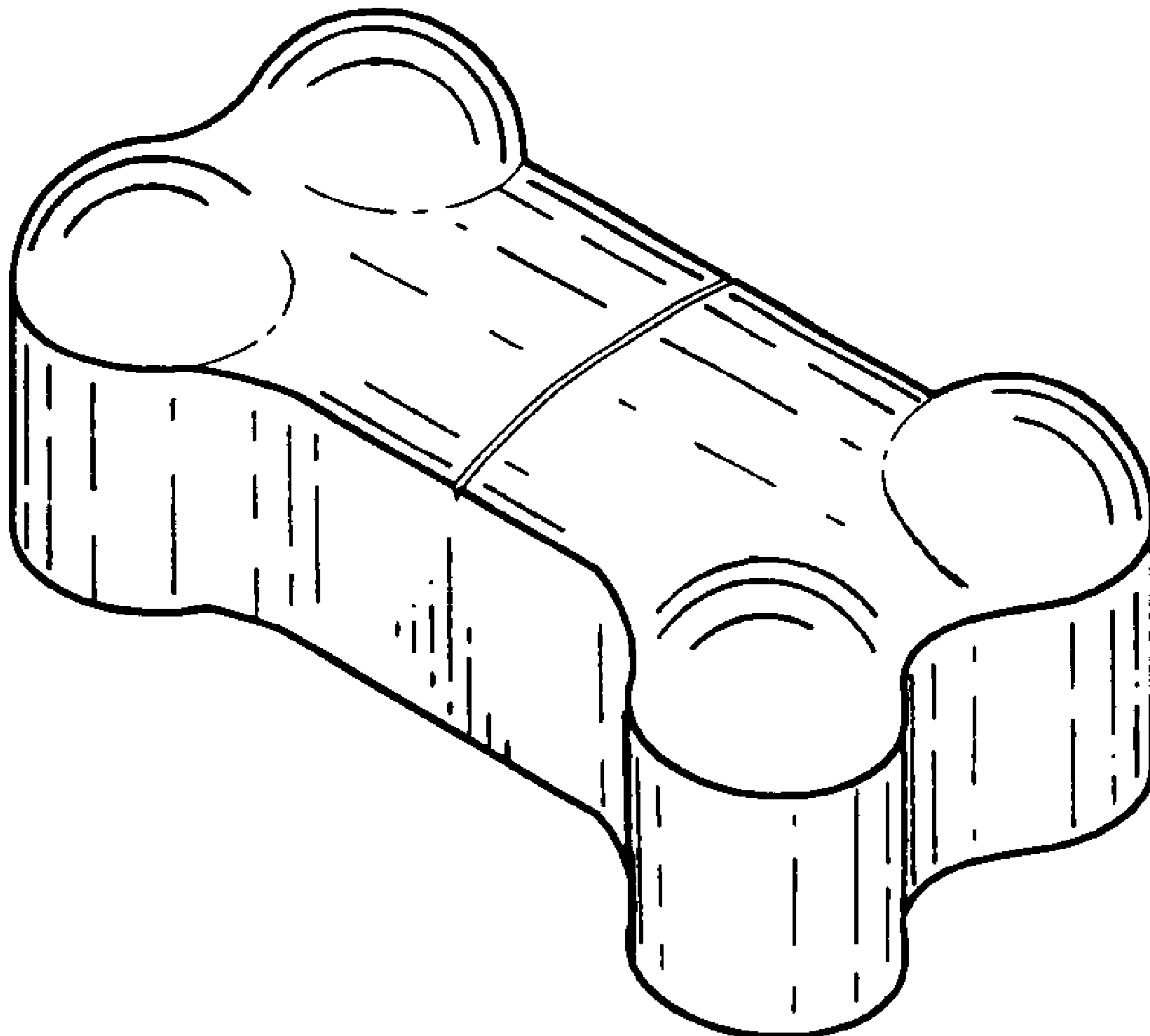


FIG. 1

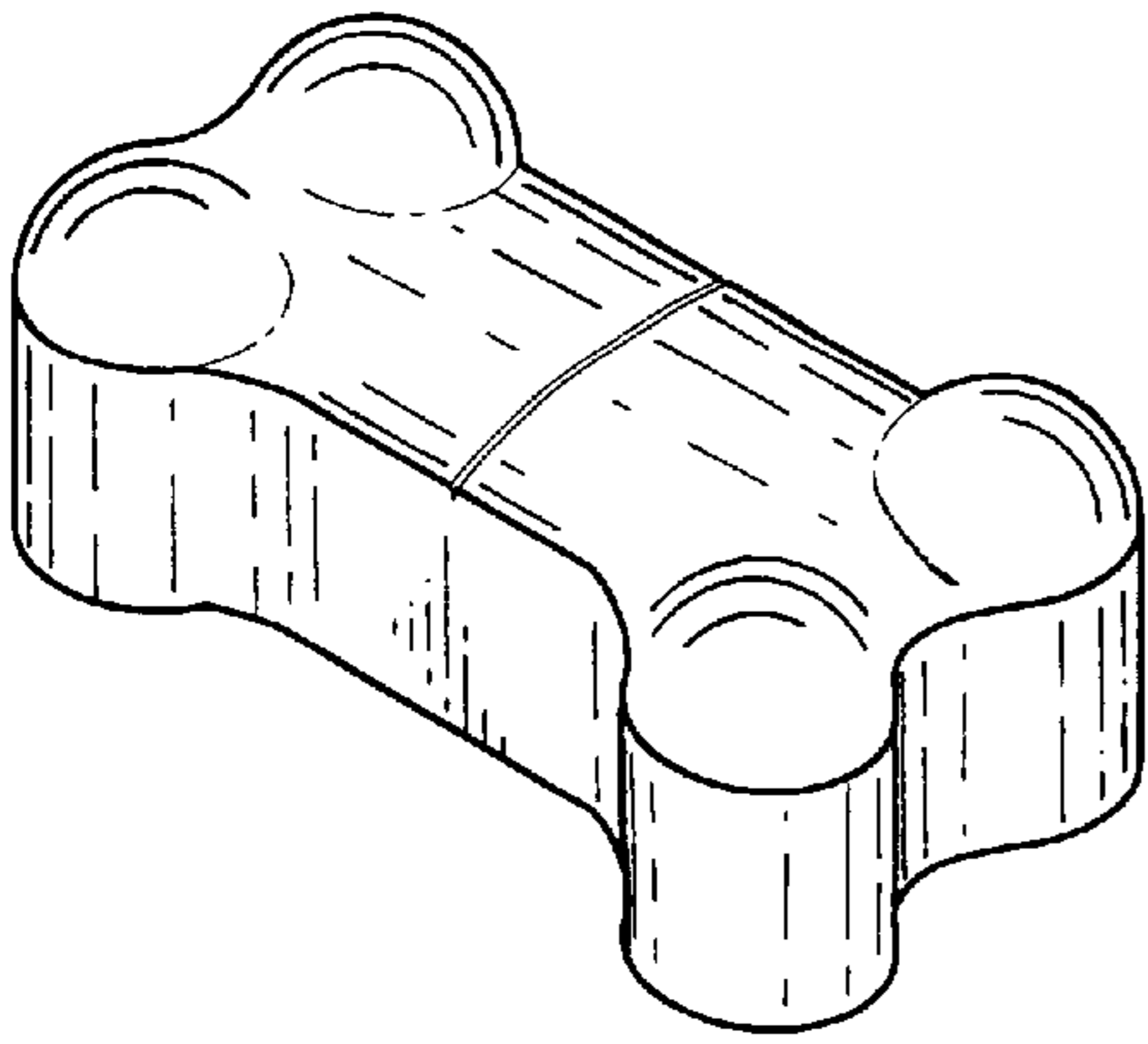


FIG. 2

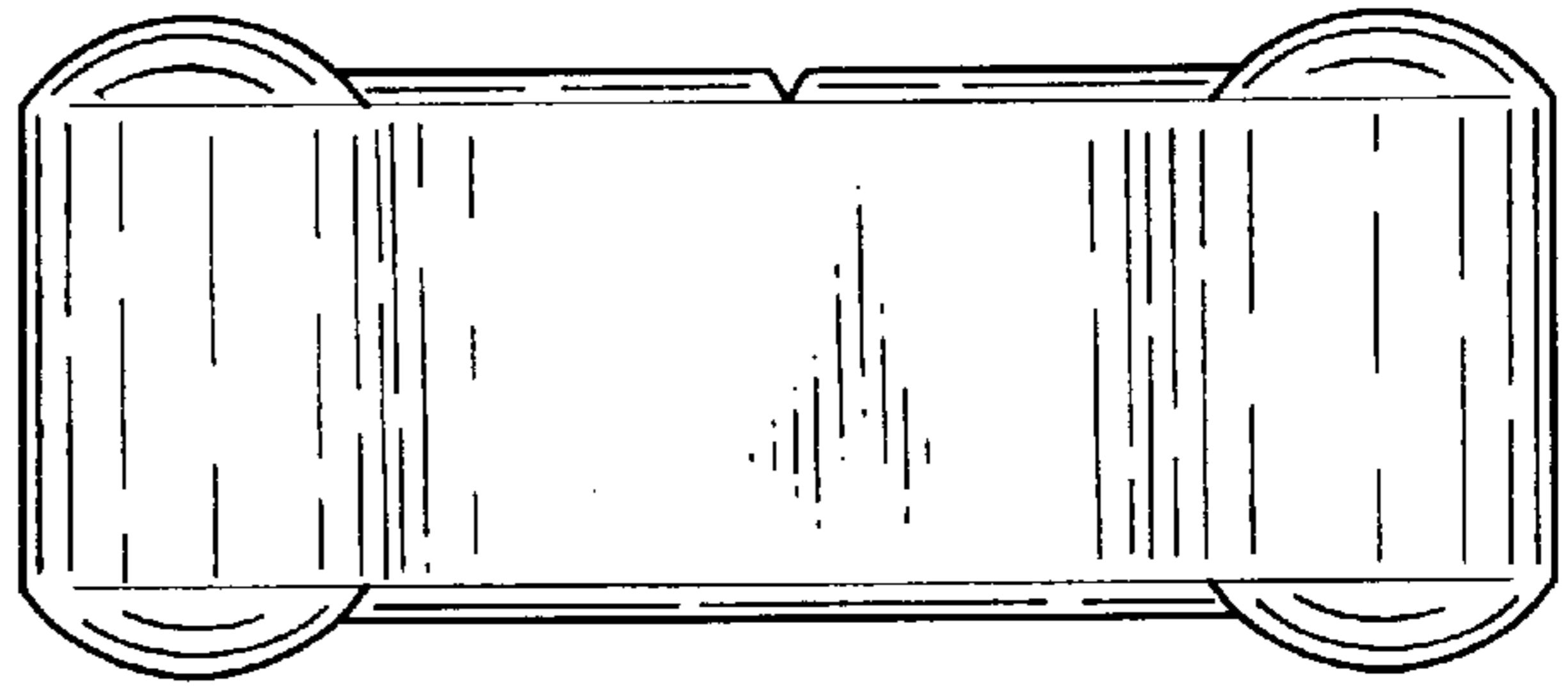


FIG. 3

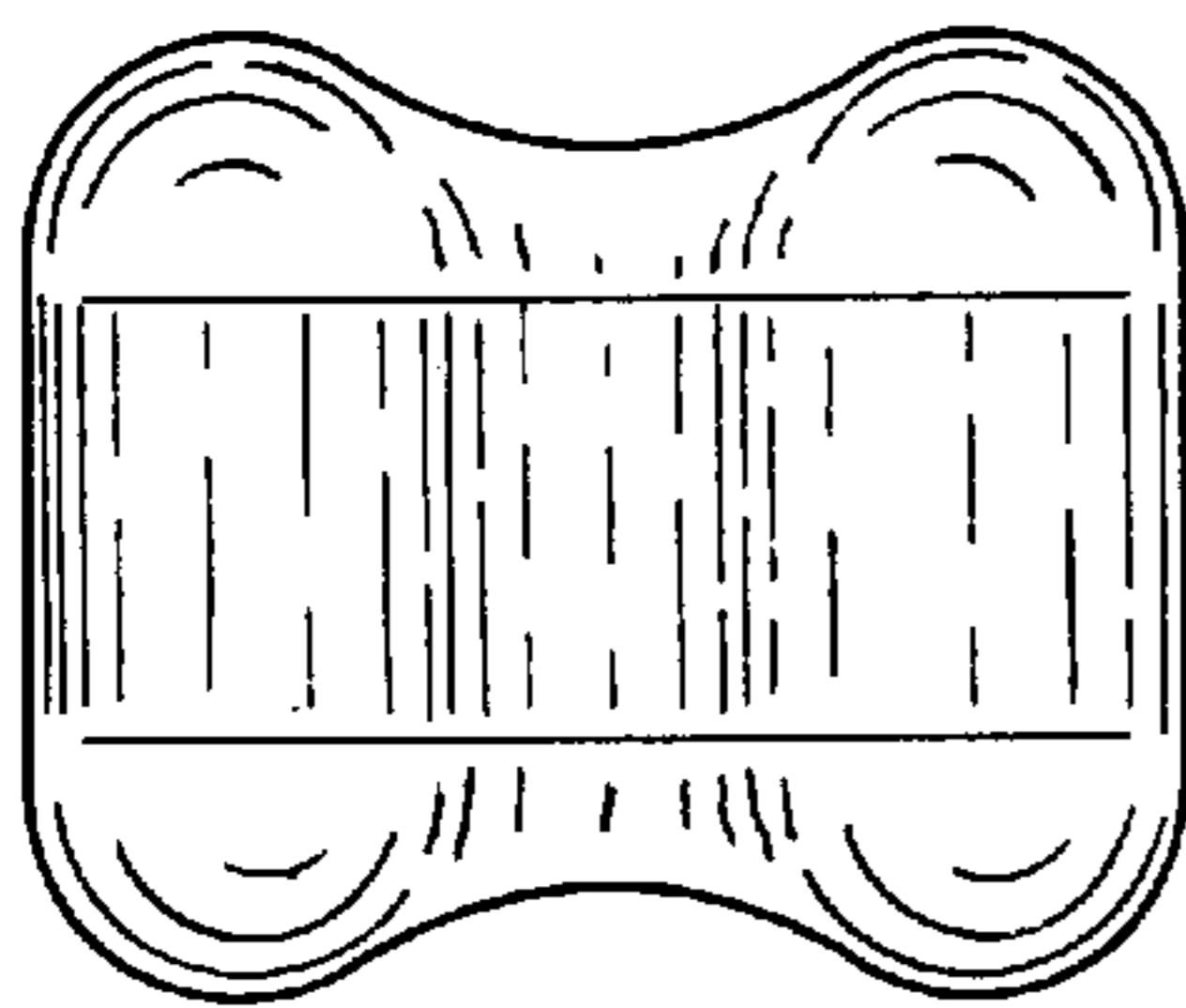


FIG. 4

