



US00D428133S

**United States Patent** [19]  
**Chen**

[11] **Patent Number: Des. 428,133**

[45] **Date of Patent: \*\* Jul. 11, 2000**

[54] **CEILING FAN MOTOR HOUSING**

[76] Inventor: **Shu-Chin Chen**, No. 272, Shu-Te St.,  
Shang-Feng Village, Ta-Ya Hsiang,  
Taichung Hsien, Taiwan

[\*\*] Term: **14 Years**

[21] Appl. No.: **29/115,407**

[22] Filed: **Dec. 14, 1999**

[51] **LOC (7) Cl.** ..... **23-04**

[52] **U.S. Cl.** ..... **D23/411; D23/377; D26/59**

[58] **Field of Search** ..... **D23/377, 379,**  
**D23/385, 411; 416/5; 392/364; 362/96;**  
**D26/81-86, 88, 72, 73, 51, 59**

[56] **References Cited**

**U.S. PATENT DOCUMENTS**

D. 417,496 12/1999 Chang et al. .... D23/377

*Primary Examiner*—Lisa Lichtenstein  
*Attorney, Agent, or Firm*—Fish & Richardson P.C.

[57] **CLAIM**

The ornamental design for ceiling fan motor housing, as shown and described.

**DESCRIPTION**

FIG. 1 is a perspective view of ceiling fan motor housing showing my new design;

FIG. 2 is a front elevational view thereof;

FIG. 3 is a rear elevational view thereof;

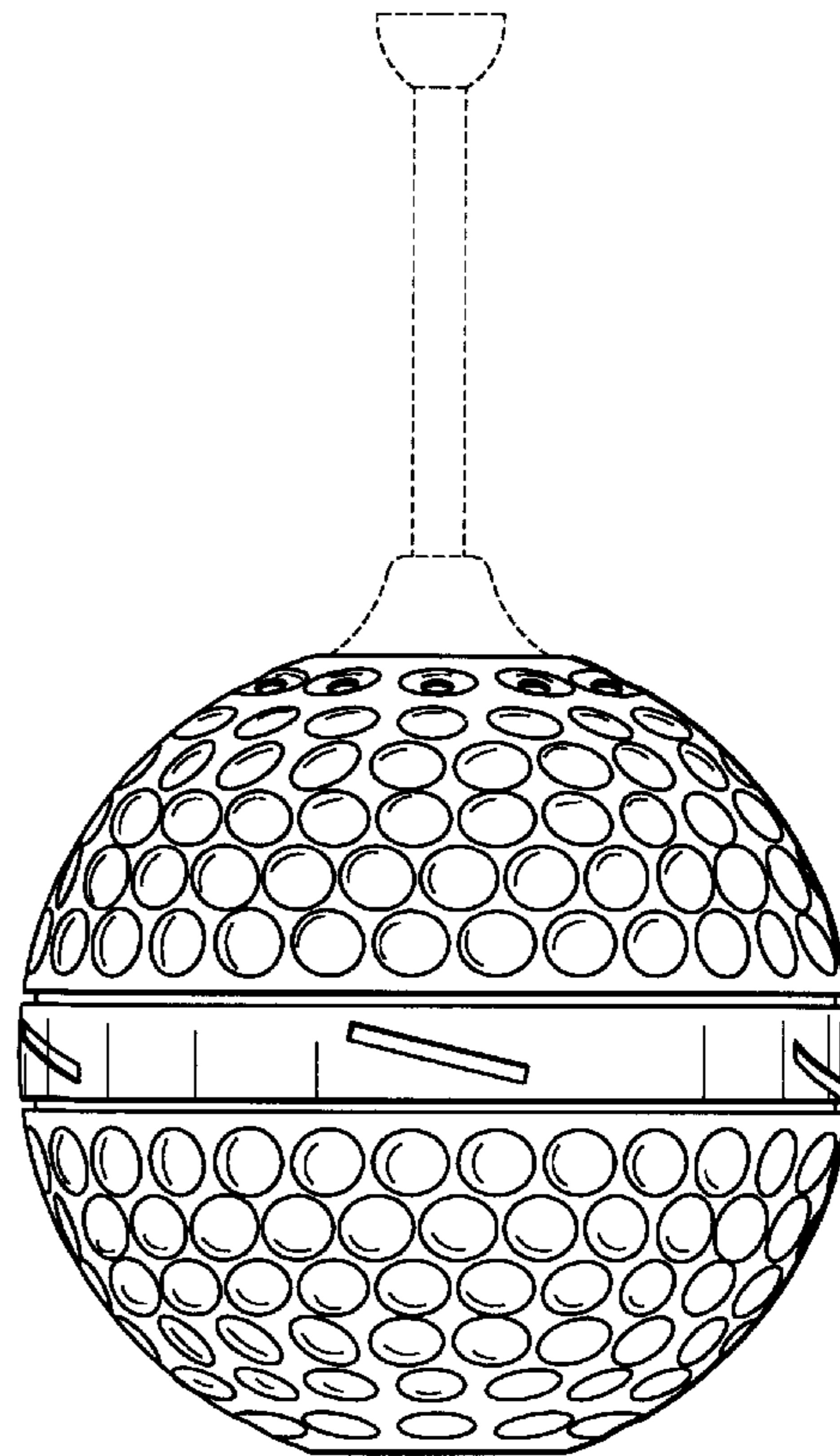
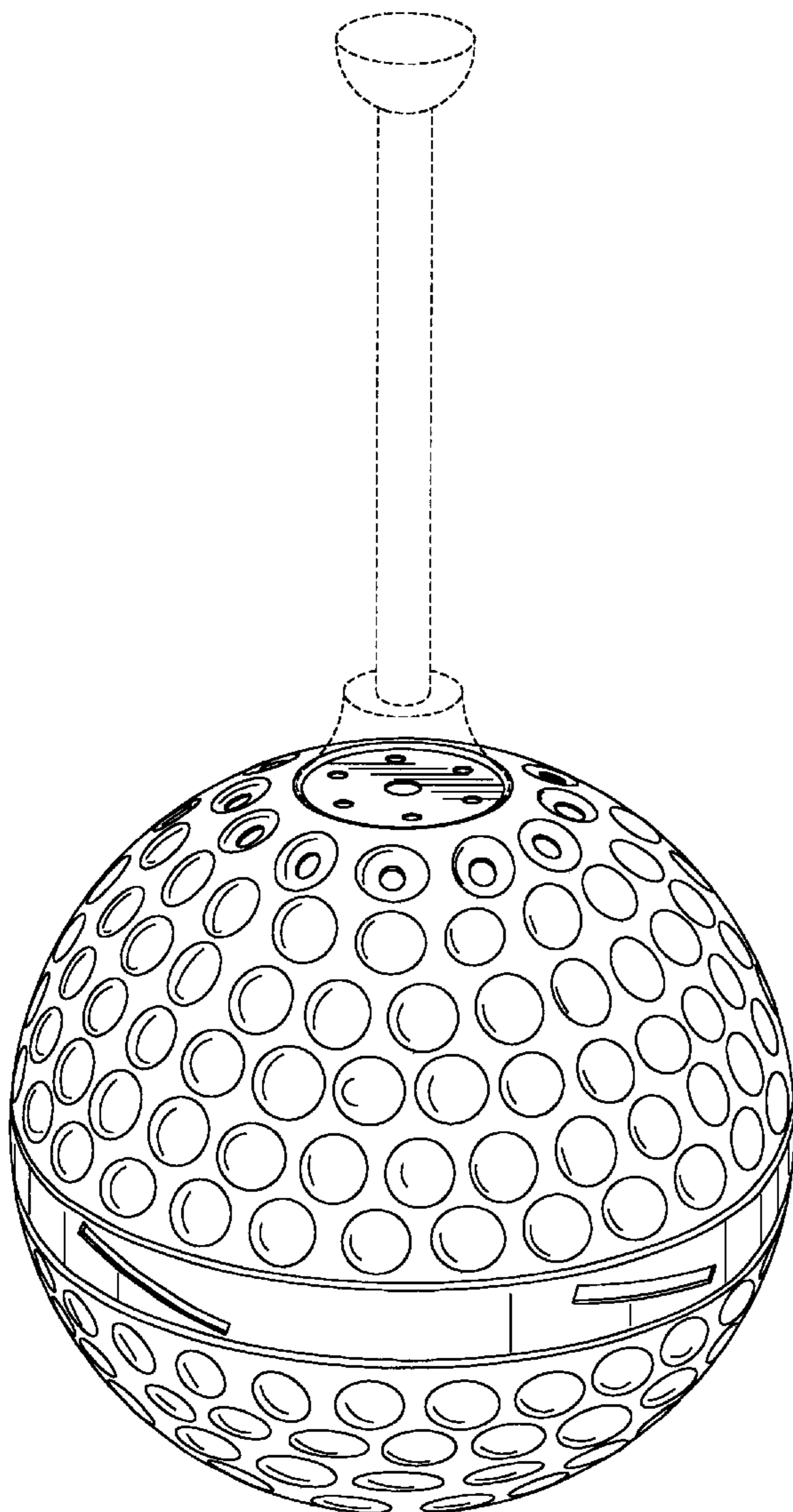
FIG. 4 is a left side elevational view thereof;

FIG. 5 is a right side elevational view thereof;

FIG. 6 is a top plan view thereof; and,

FIG. 7 is a bottom plan view thereof.

**1 Claim, 4 Drawing Sheets**



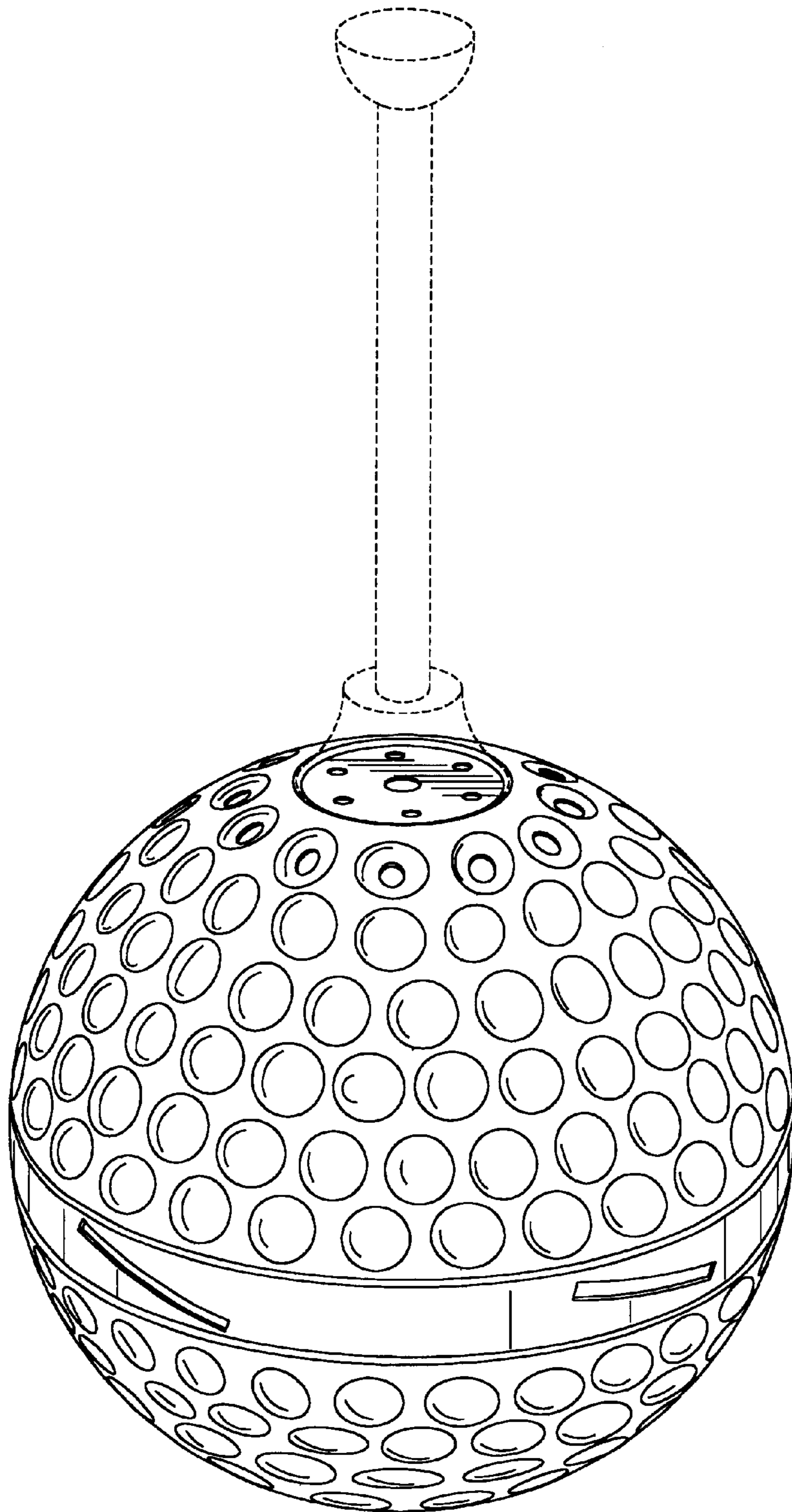


FIG. 1

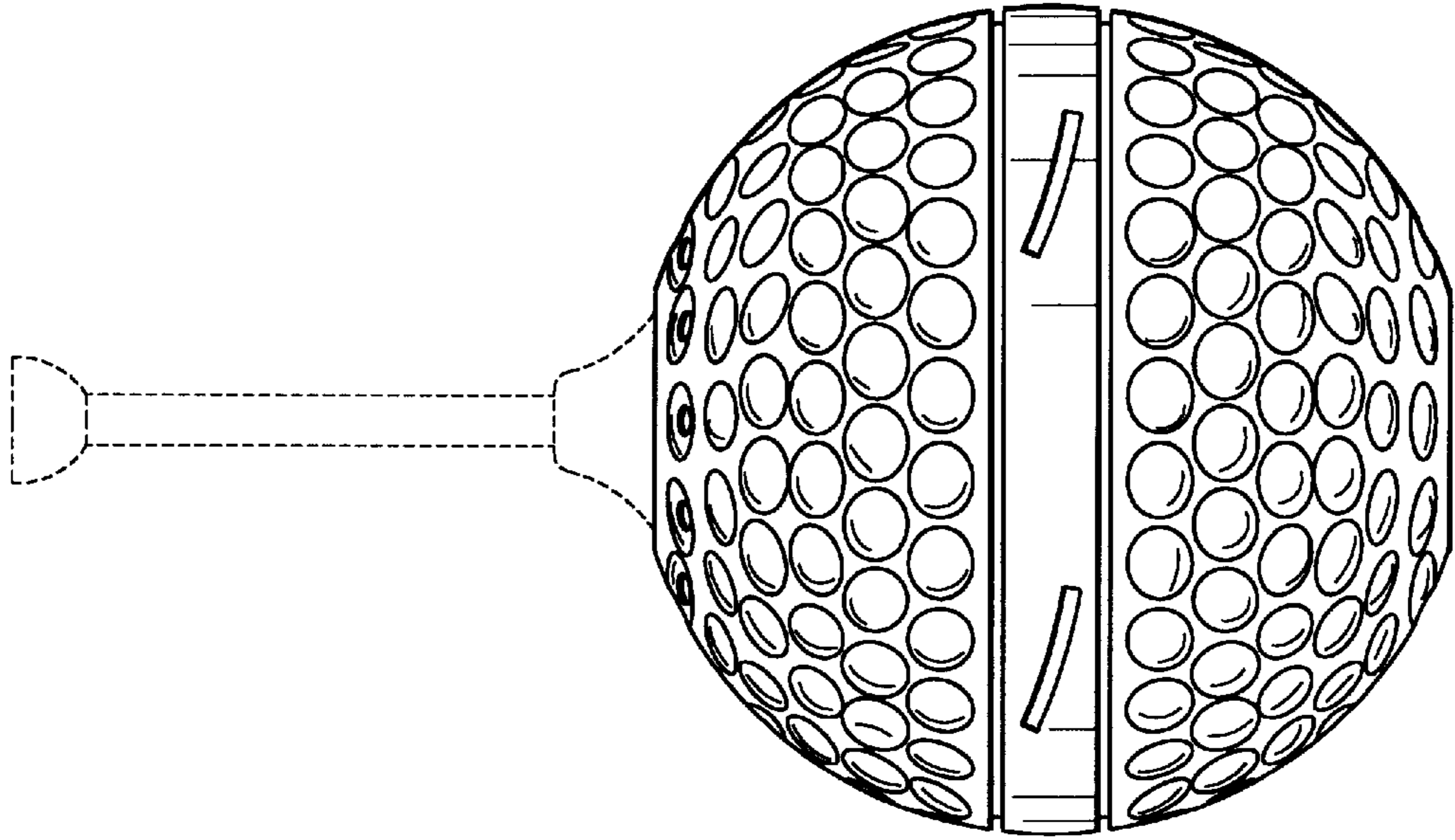


FIG. 2

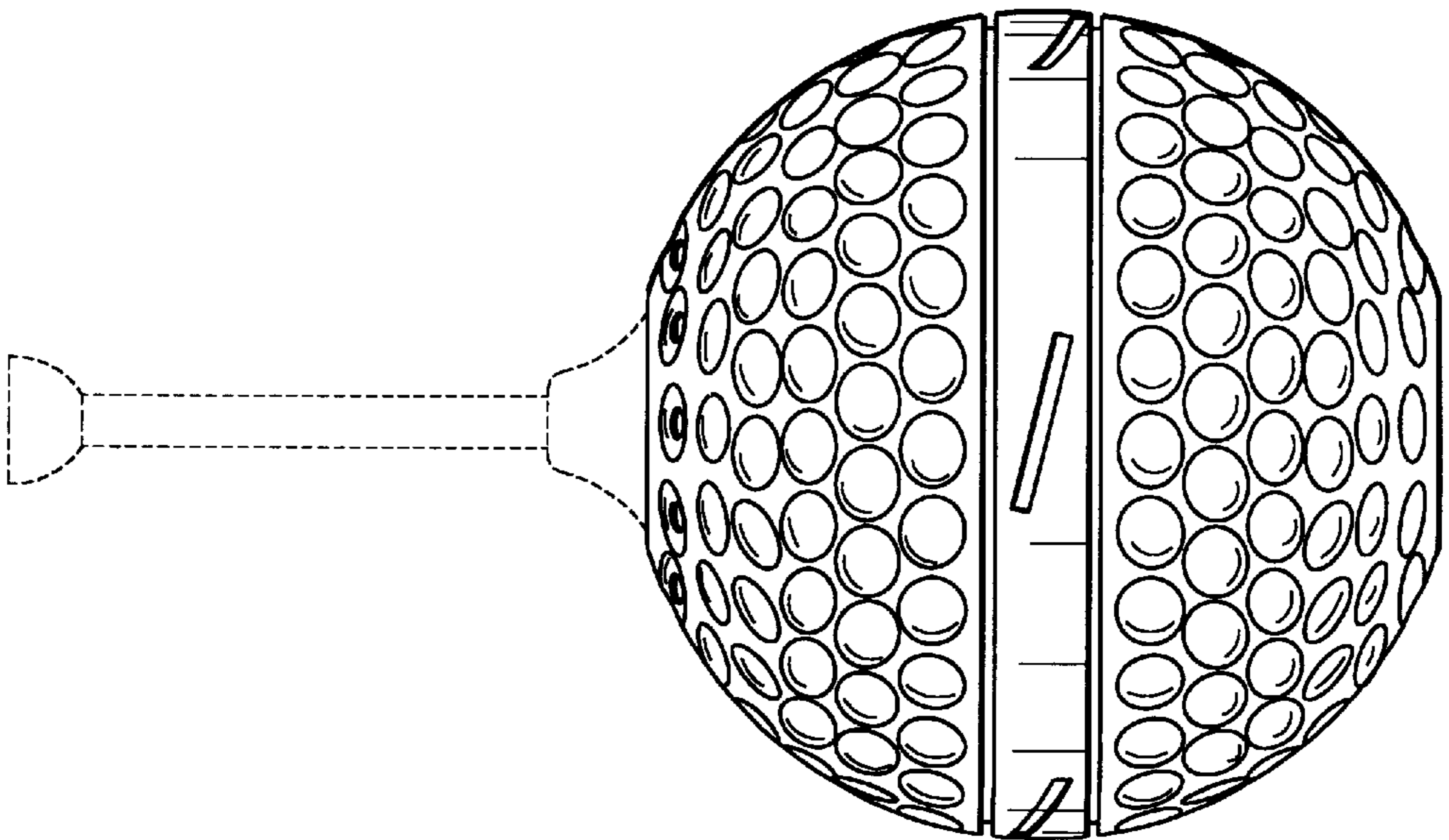


FIG. 3

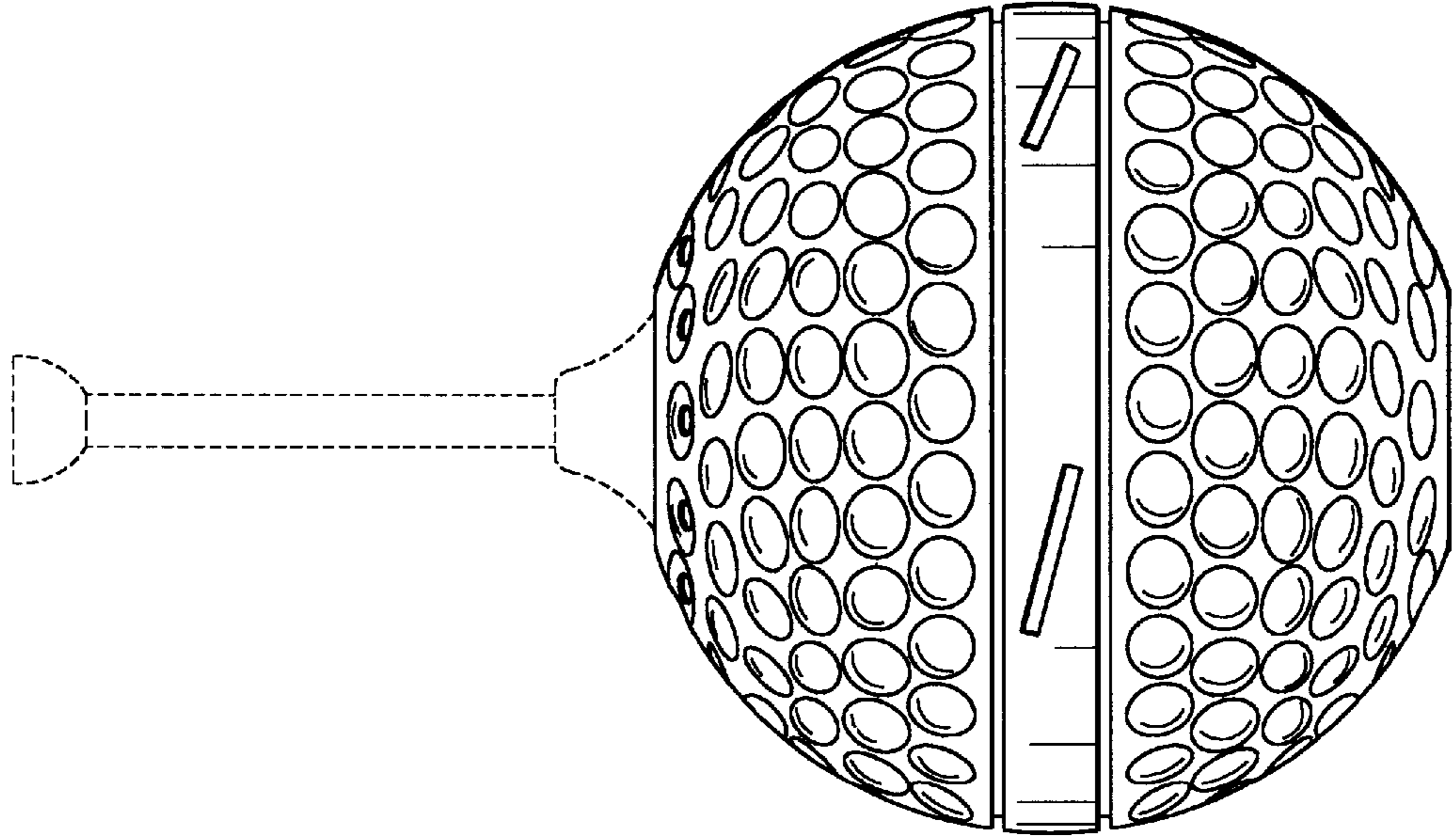


FIG. 4

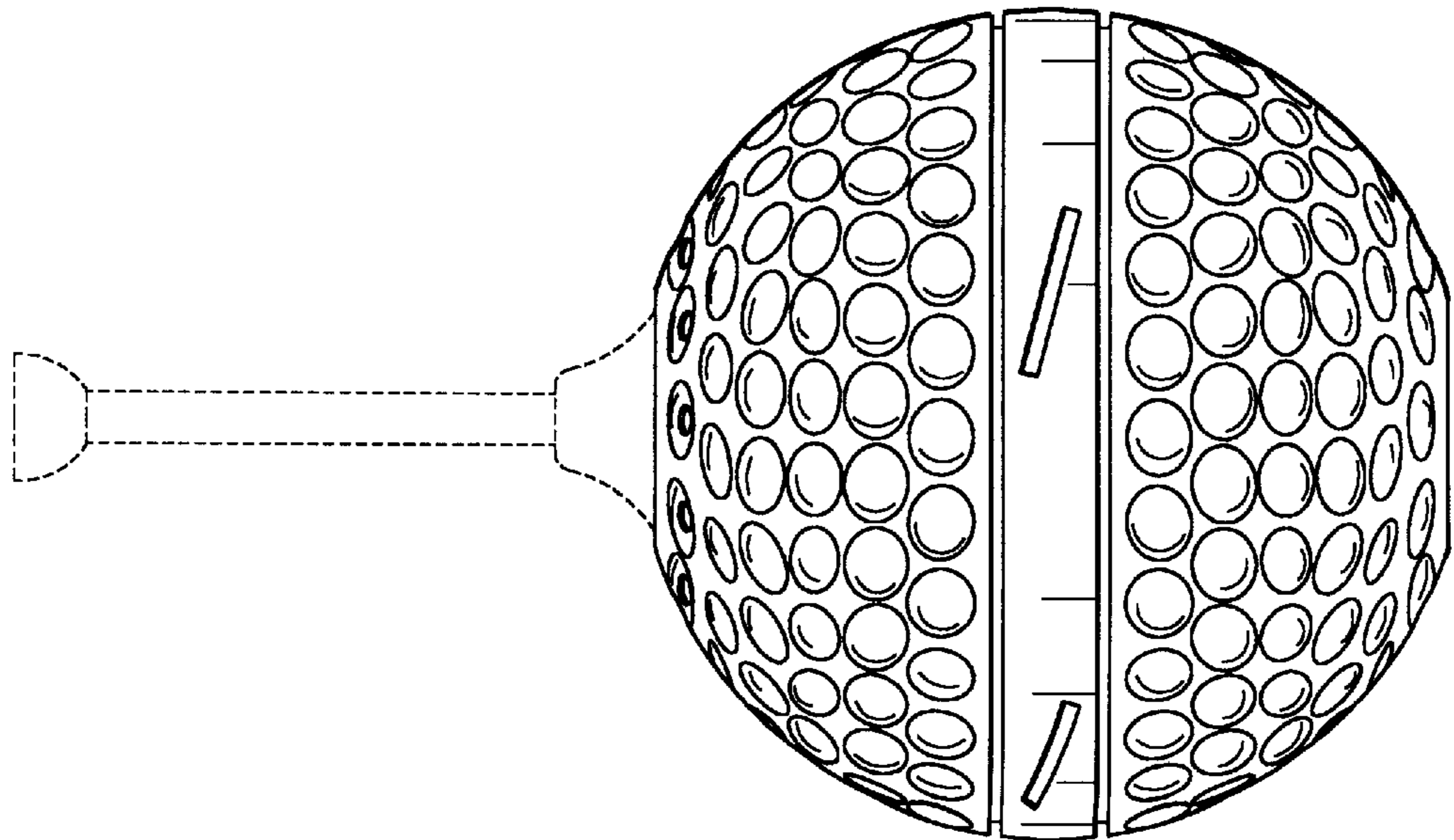


FIG. 5

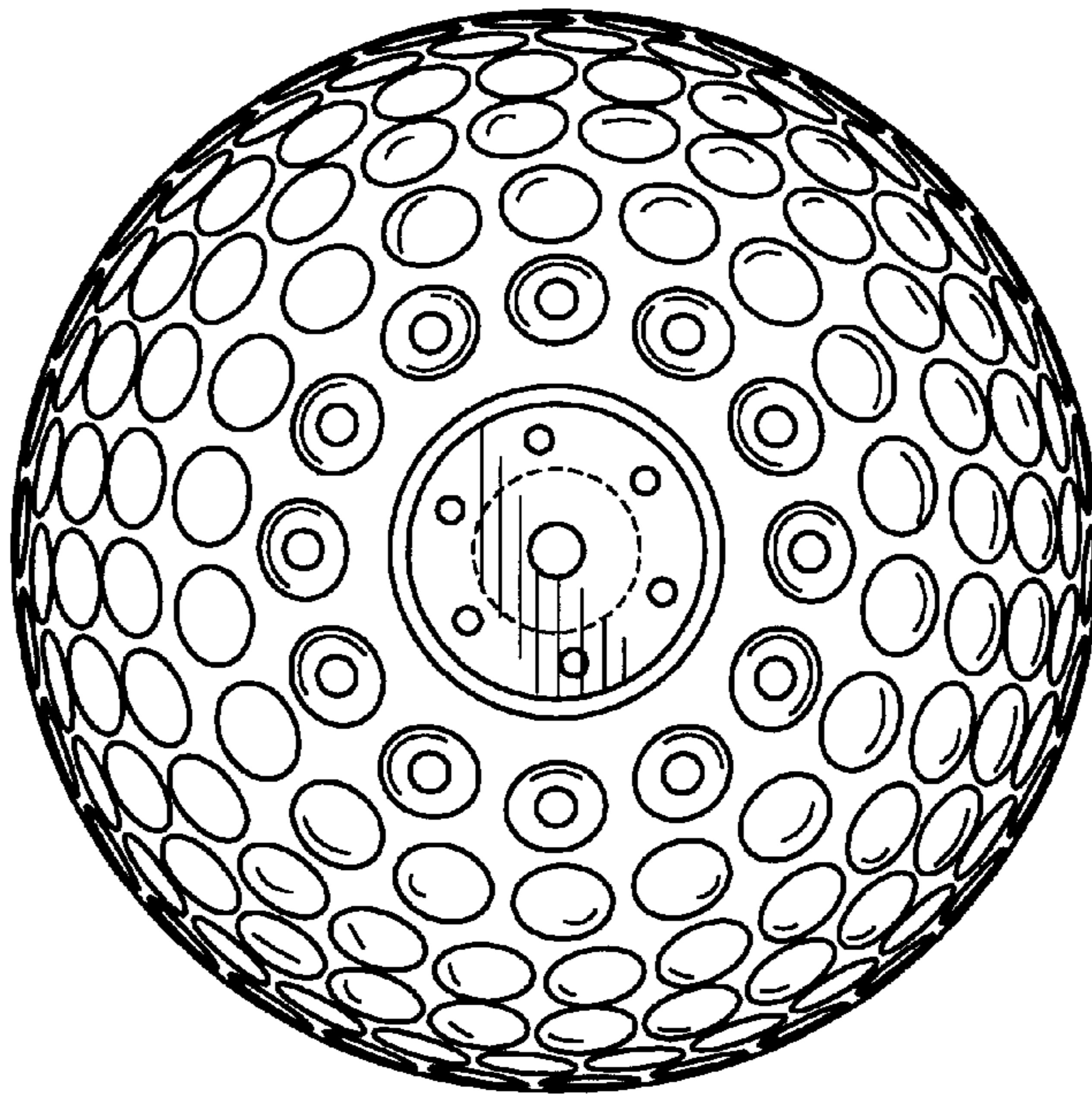


FIG. 6

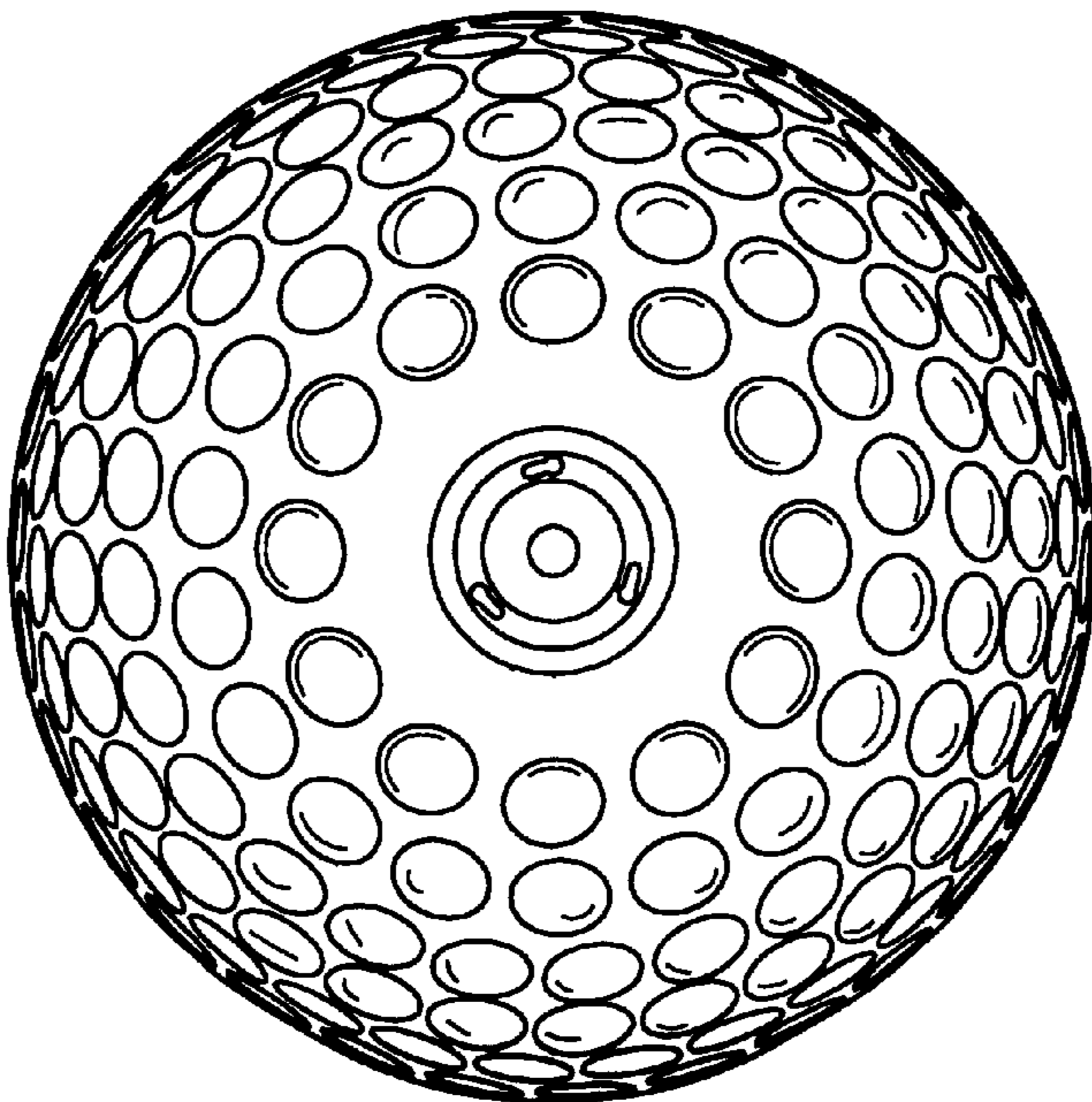


FIG. 7