



US00D428131S

United States Patent [19]

Jafine et al.

[11] Patent Number: **Des. 428,131**

[45] Date of Patent: **** Jul. 11, 2000**

[54] **EXHAUST VENT COVER**

[75] Inventors: **Paul Jafine; Michael David Jafine,**
both of Brampton, Canada

[73] Assignee: **Dundas Jafine, Inc.,** Brampton, Canada

[**] Term: **14 Years**

[21] Appl. No.: **29/111,197**

[22] Filed: **Sep. 22, 1999**

[51] **LOC (7) Cl.** **23-99**

[52] **U.S. Cl.** **D23/393**

[58] **Field of Search** D23/393, 370,
D23/371, 390, 391, 392, 388; 126/85 B;
52/302, 303, 199; 454/359, 353, 368

[56] **References Cited**

U.S. PATENT DOCUMENTS

D. 320,650	10/1991	Kujawa	D23/393
D. 390,948	2/1998	Meyer	.	
D. 397,431	8/1998	Meyer	D23/393
3,087,563	4/1963	Fisher	.	
4,090,436	5/1978	Wright	.	
4,934,334	6/1990	Breese	.	
5,046,408	9/1991	Euginio	.	

5,383,816	1/1995	Marcello et al.	.
5,406,932	4/1995	Joseph et al.	.
5,547,422	8/1996	Seboldt	.
5,722,181	3/1998	Meyer	.

FOREIGN PATENT DOCUMENTS

0 043 504 A1 6/1981 European Pat. Off. .

Primary Examiner—Mitchell Siegel

Attorney, Agent, or Firm—Shook, Hardy & Bacon LLP

[57] **CLAIM**

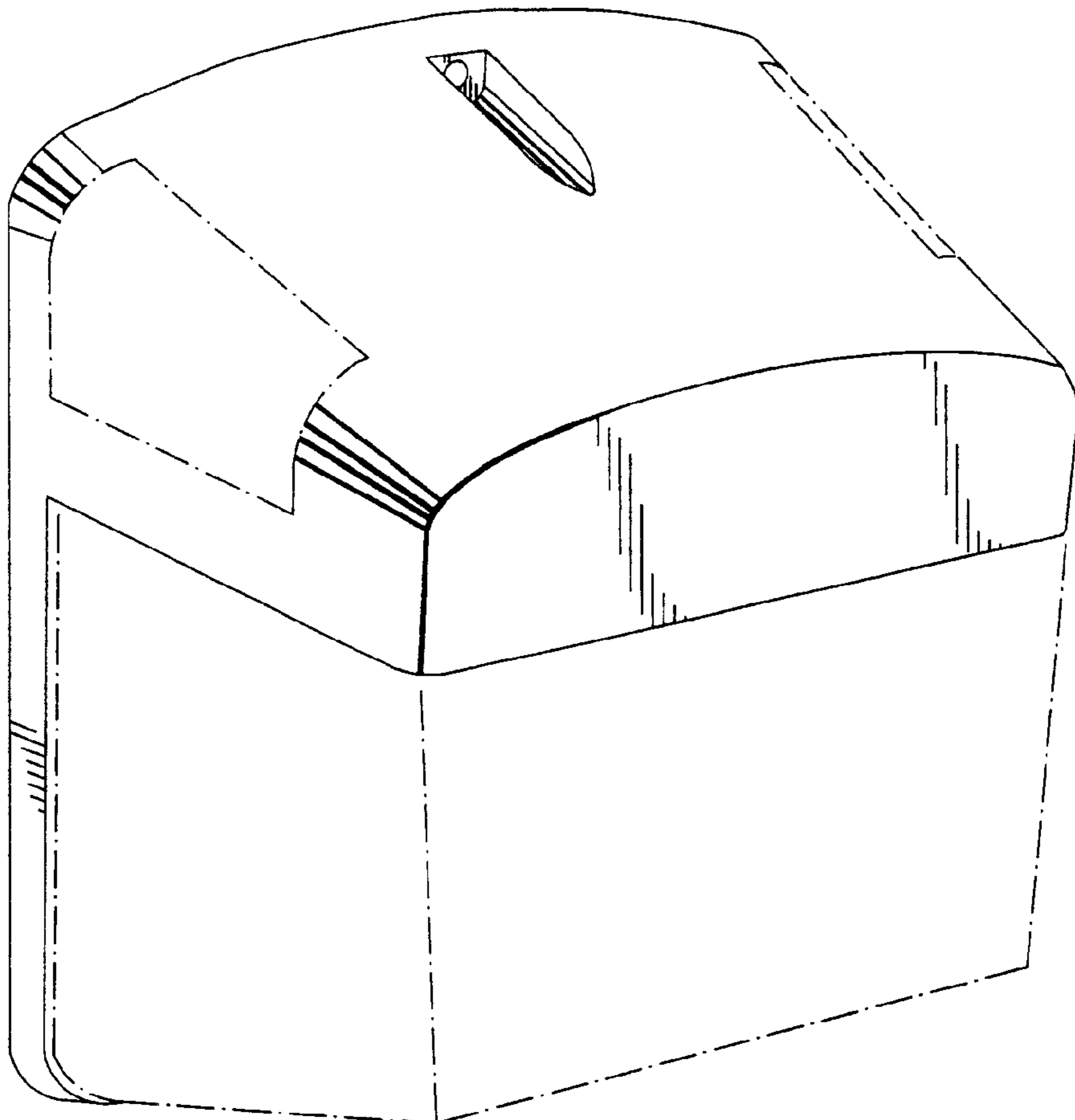
The ornamental design for an exhaust vent cover, as shown and described.

DESCRIPTION

FIG. 1 is a front perspective view thereof;
FIG. 2 is a right elevational view thereof, the left elevational view being a mirror image of that shown;
FIG. 3 is a front elevational view thereof;
FIG. 4 is a rear elevational view thereof;
FIG. 5 is a top plan view thereof; and,
FIG. 6 is a bottom plan view thereof.

The broken line showing of a plurality of open grills included in the exhaust vent cover are for illustrative purposes only and form no part of the claimed design.

1 Claim, 2 Drawing Sheets



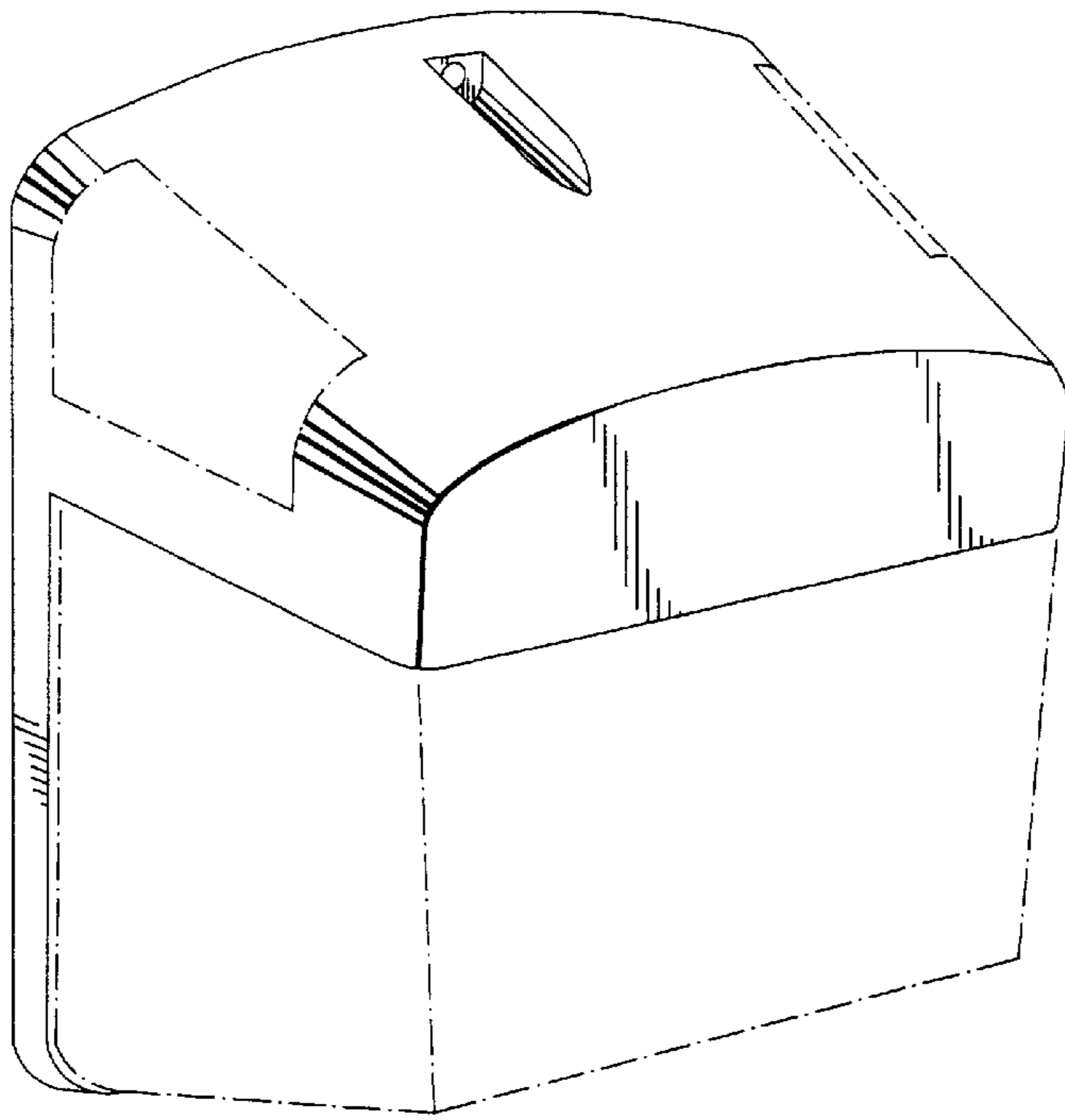


Fig. 1.

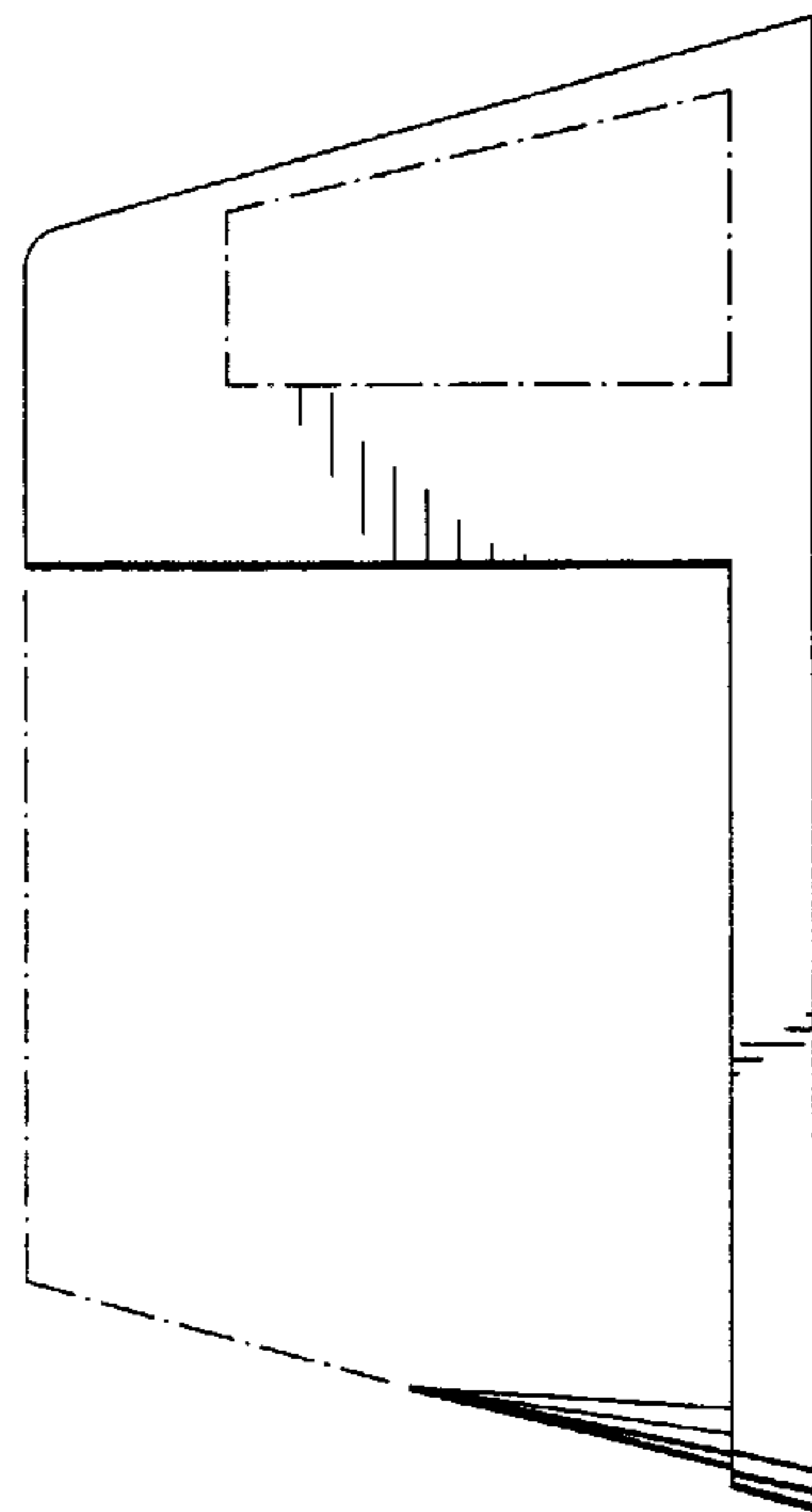


Fig. 2.

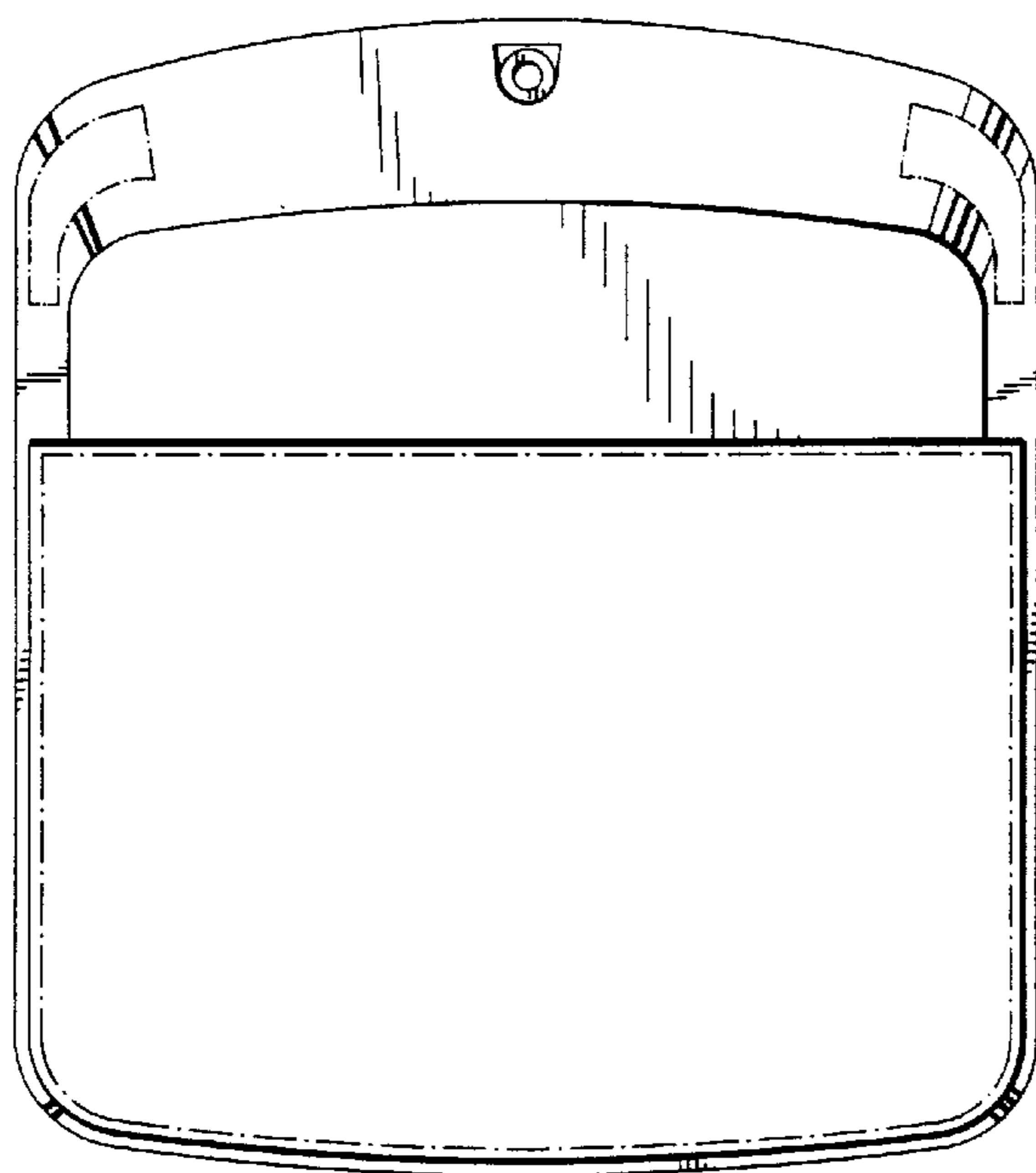


Fig. 3.

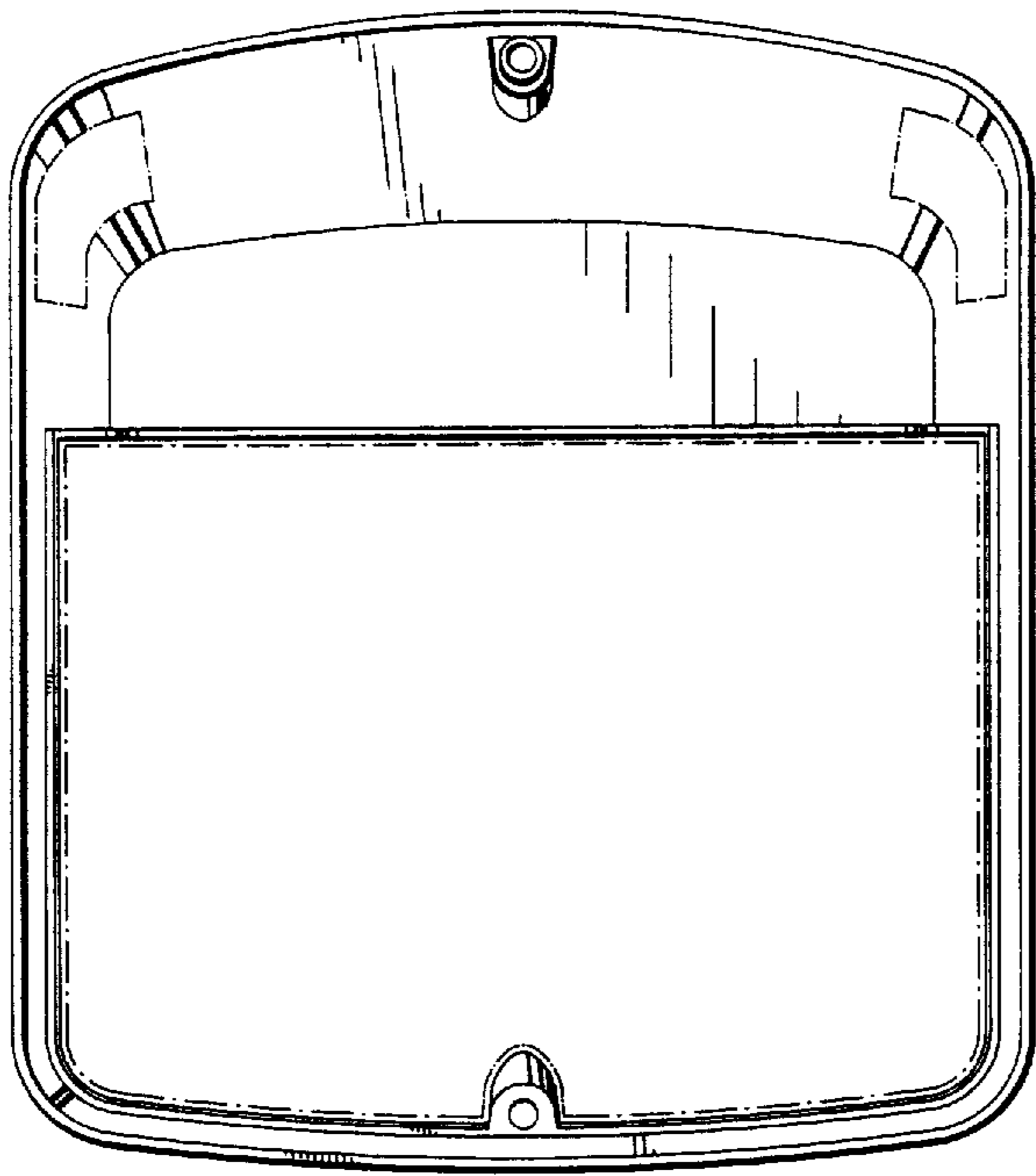


Fig. 4.

Fig. 5.

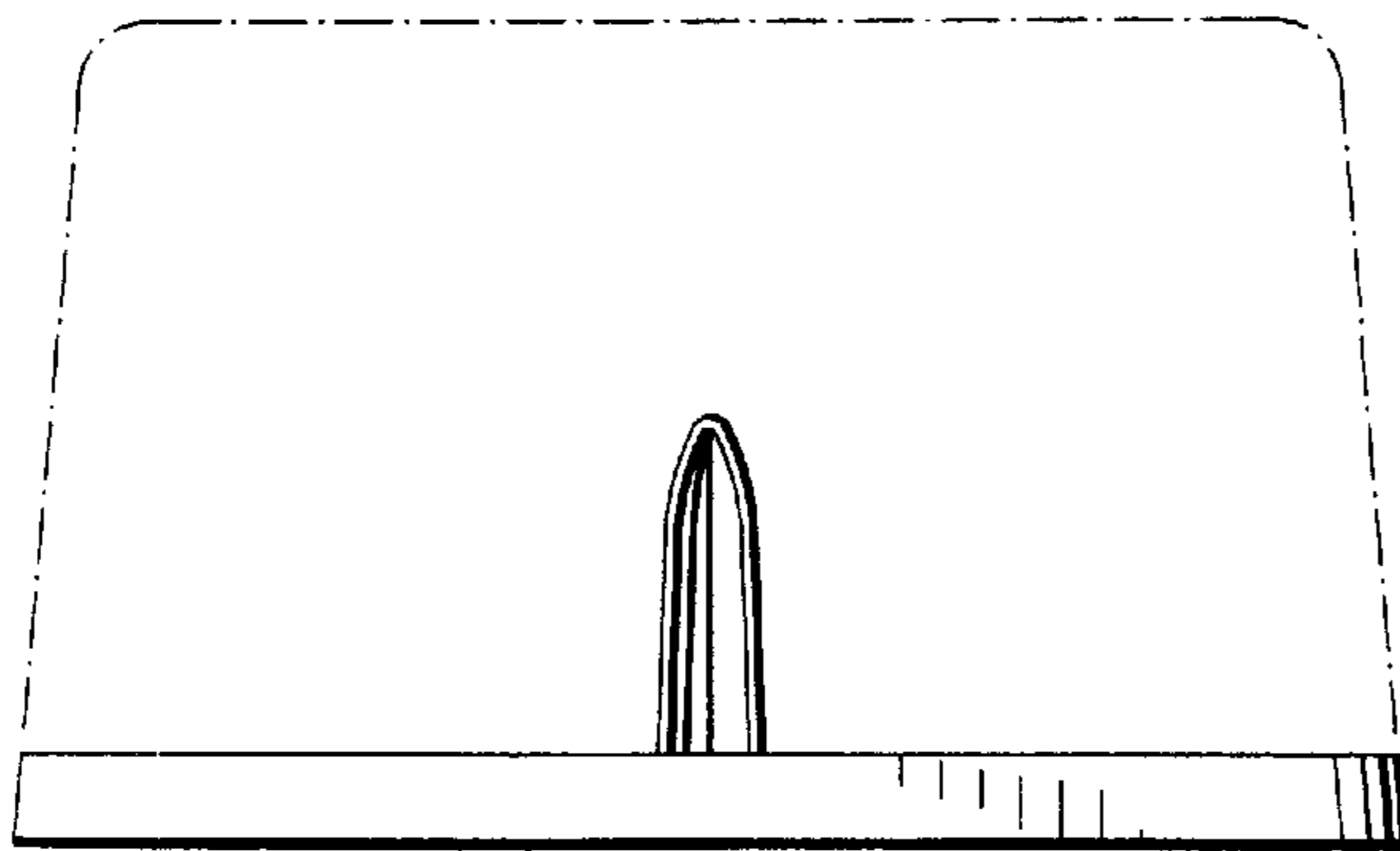
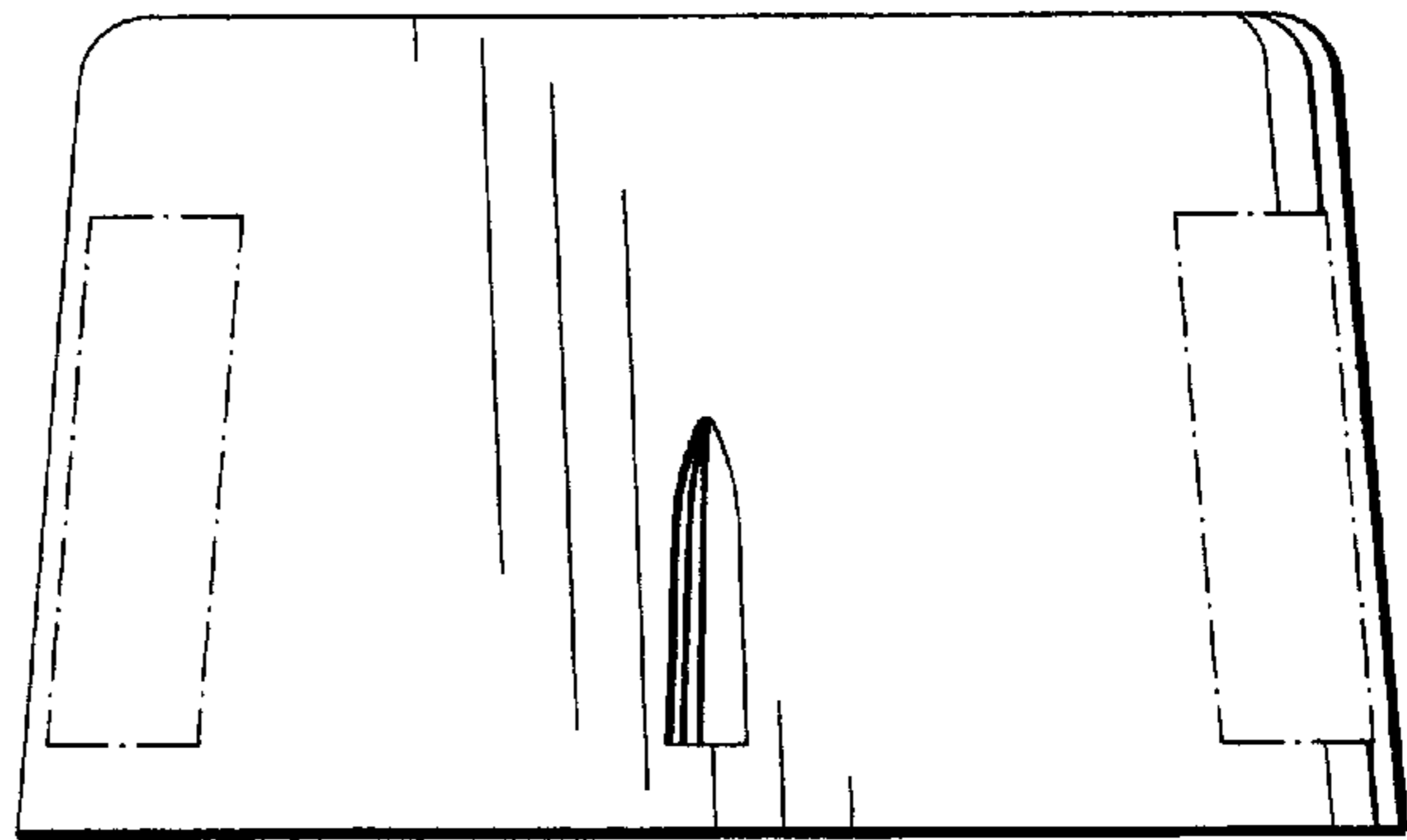


Fig. 6.