



US00D428129S

United States Patent [19] Huang

[11] **Patent Number: Des. 428,129**
[45] **Date of Patent: ** Jul. 11, 2000**

[54] **COMBINED CEILING FAN AND LIGHT**

D. 386,574 11/1997 Gee, II D23/411
D. 412,571 8/1999 Lee D23/377

[75] Inventor: **Stuart T. G. Huang**, Corona, Calif.

Primary Examiner—Lisa Lichtenstein
Attorney, Agent, or Firm—Sheldon & Mak

[73] Assignee: **Great 2000 Enterprises, Inc.**, Corona, Calif.

[**] Term: **14 Years**

[57] CLAIM

[21] Appl. No.: **29/115,838**

The ornamental design for a combined ceiling fan and light, as shown and described.

[22] Filed: **Dec. 20, 1999**

DESCRIPTION

[51] **LOC (7) Cl.** **23-04**

[52] **U.S. Cl.** **D23/377; D23/411; D26/59**

[58] **Field of Search** D23/377, 379, D23/385, 411, 413; 416/5; D26/81-86, 88, 59, 51, 72; 362/96; 392/364

FIG. 1 is a perspective view of a combined ceiling fan and light showing my new design;

FIG. 2 is a bottom elevational view thereof;

FIG. 3 is a top elevational view thereof; and,

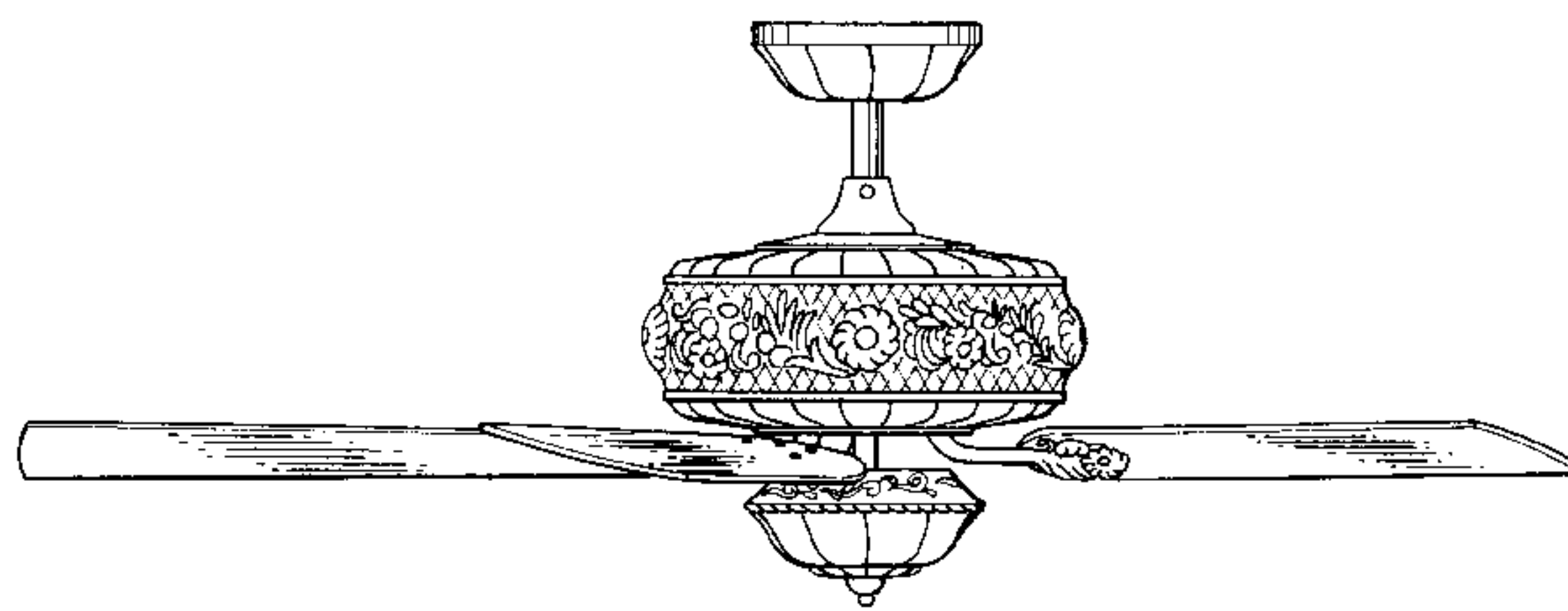
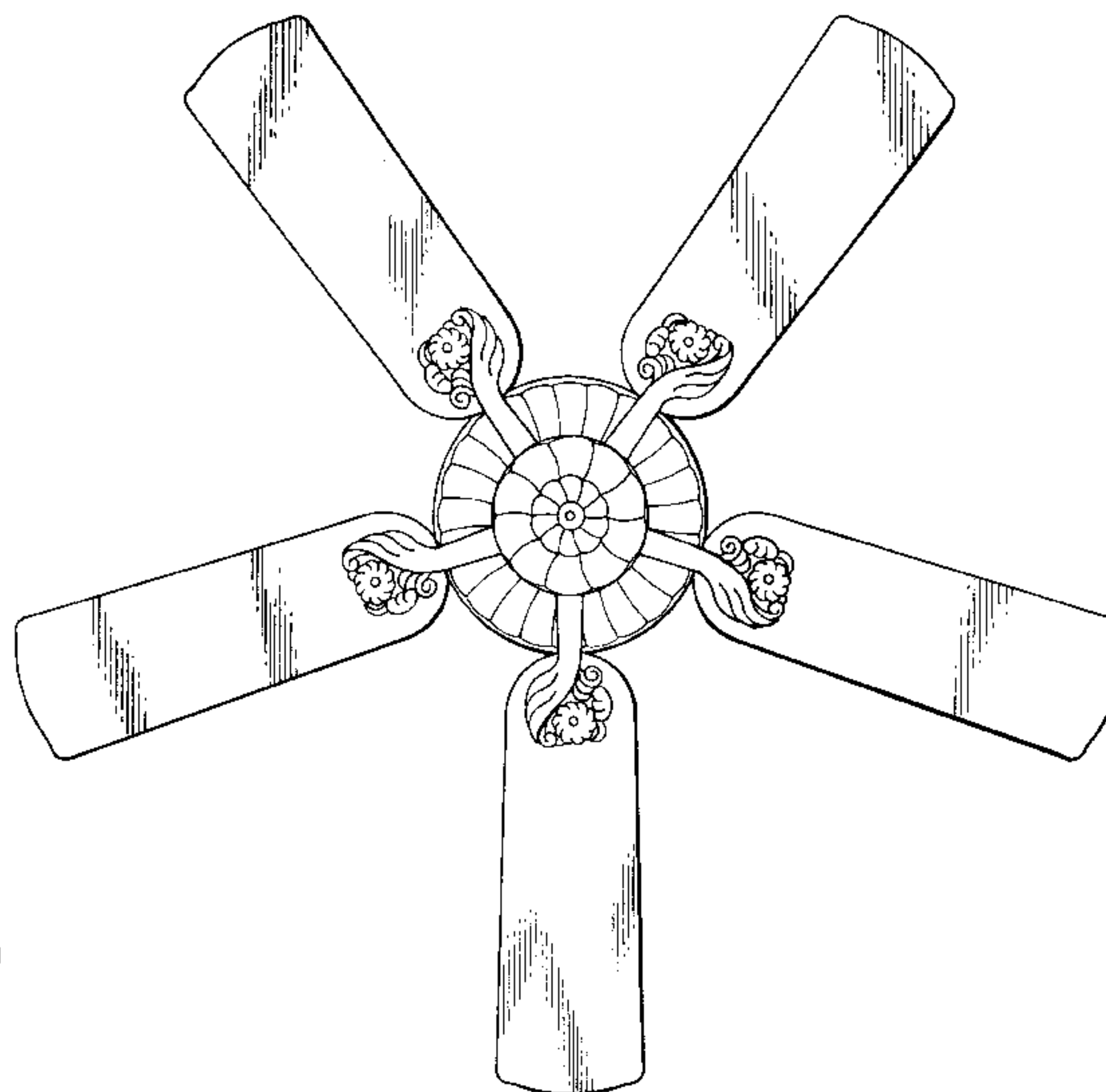
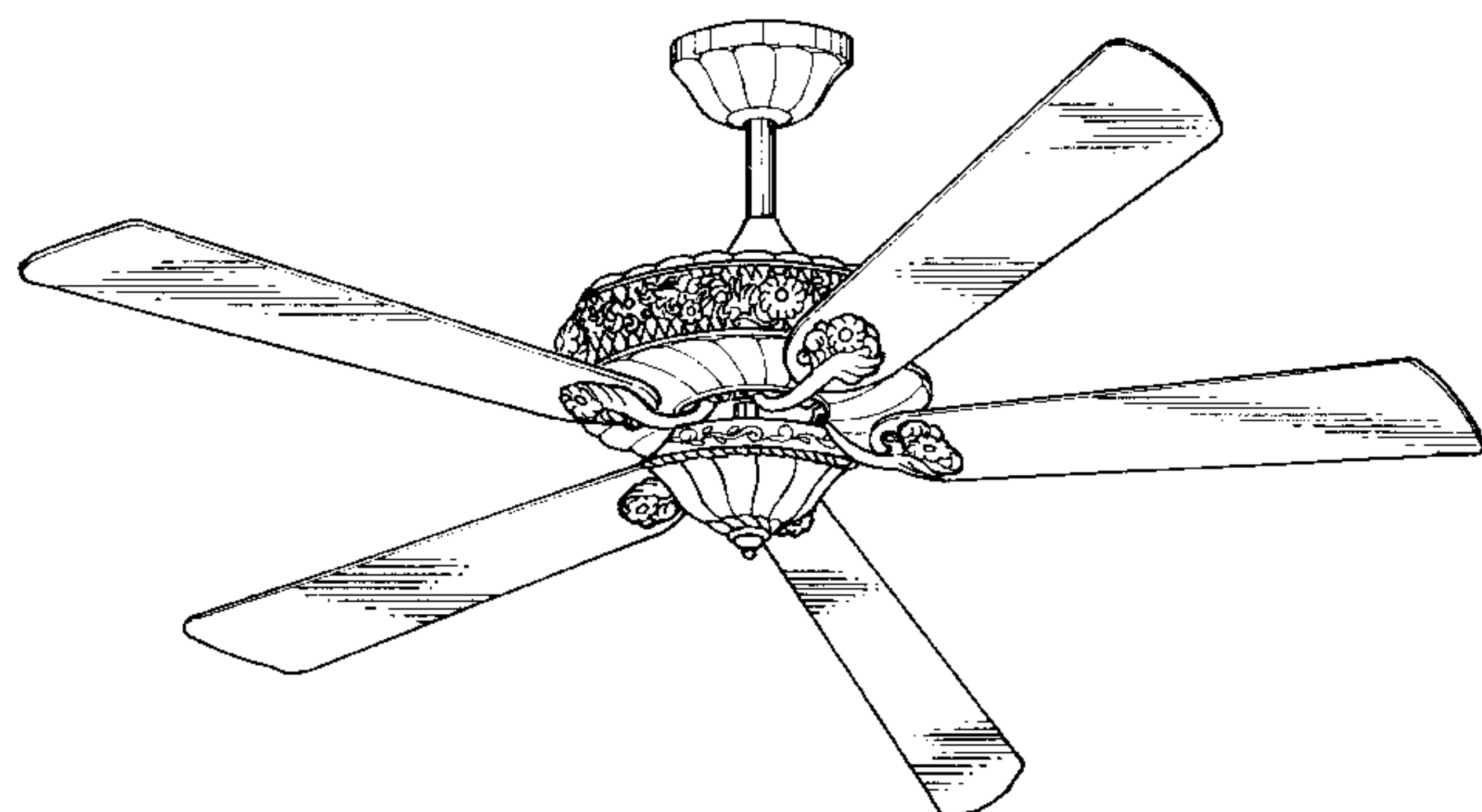
FIG. 4 is a side view thereof, the other sides being identical to that shown except for the position of the fan blades.

[56] References Cited

U.S. PATENT DOCUMENTS

D. 363,346 10/1995 Wang D23/377

1 Claim, 4 Drawing Sheets



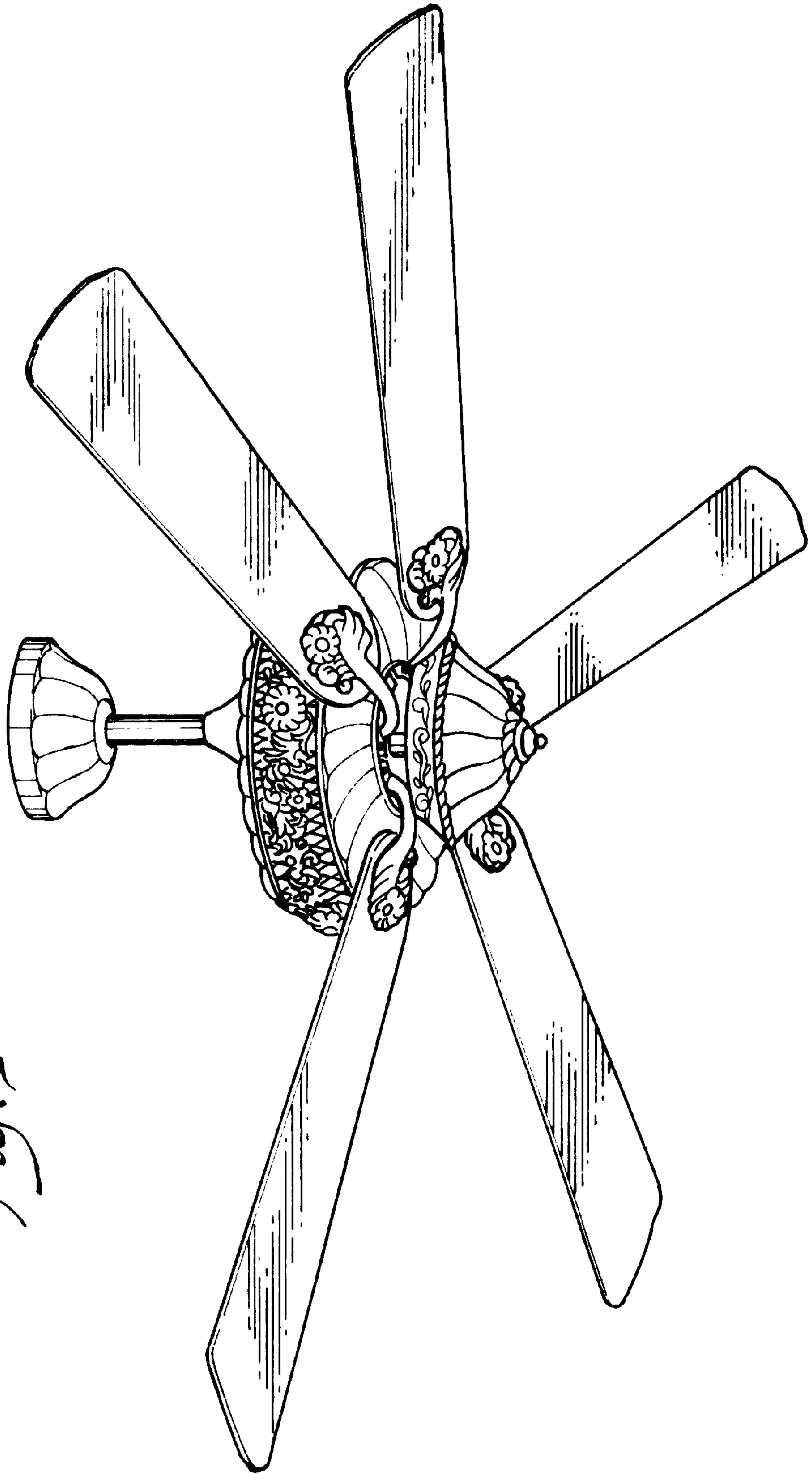


Fig. 1

Fig. 2

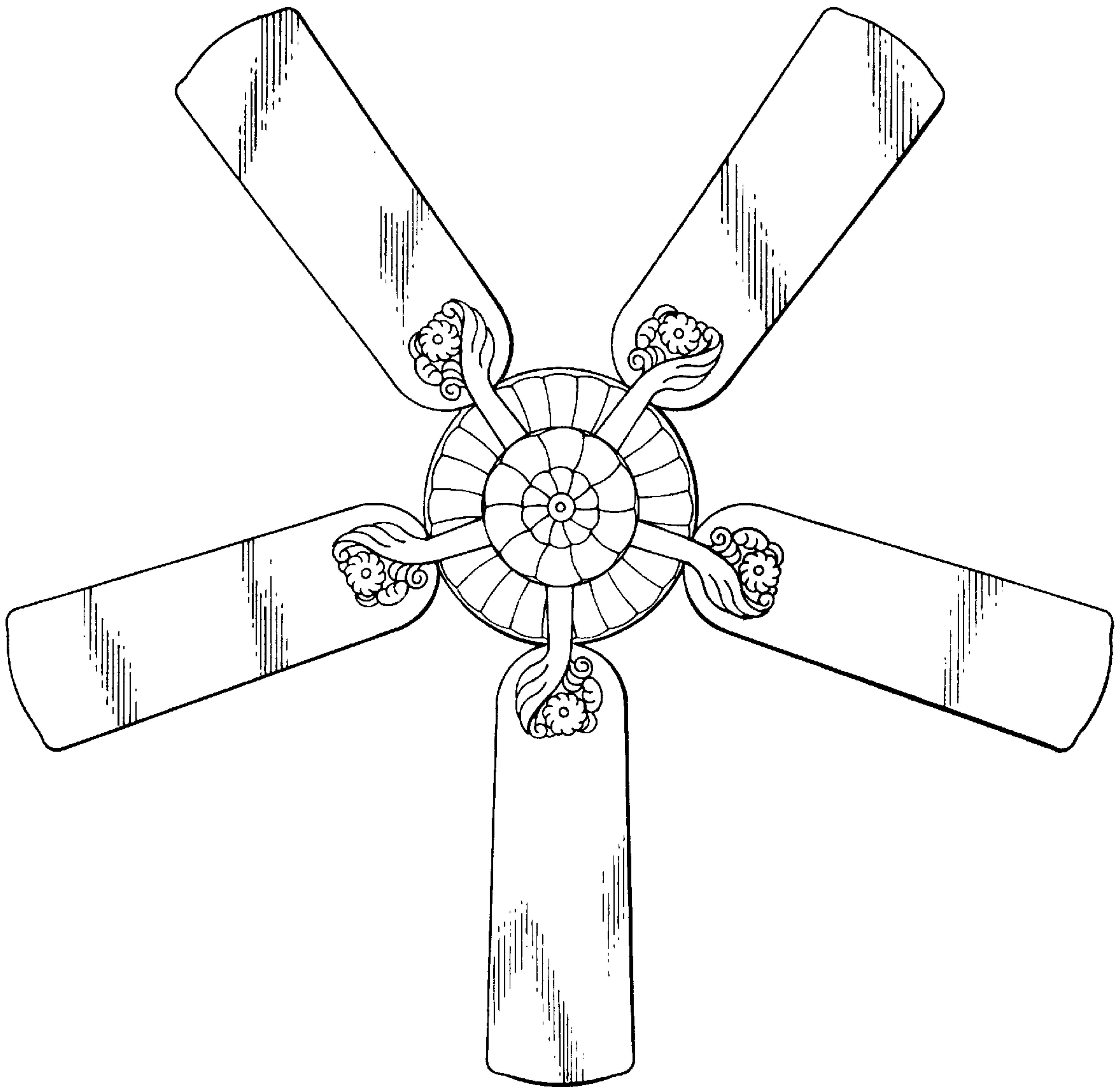
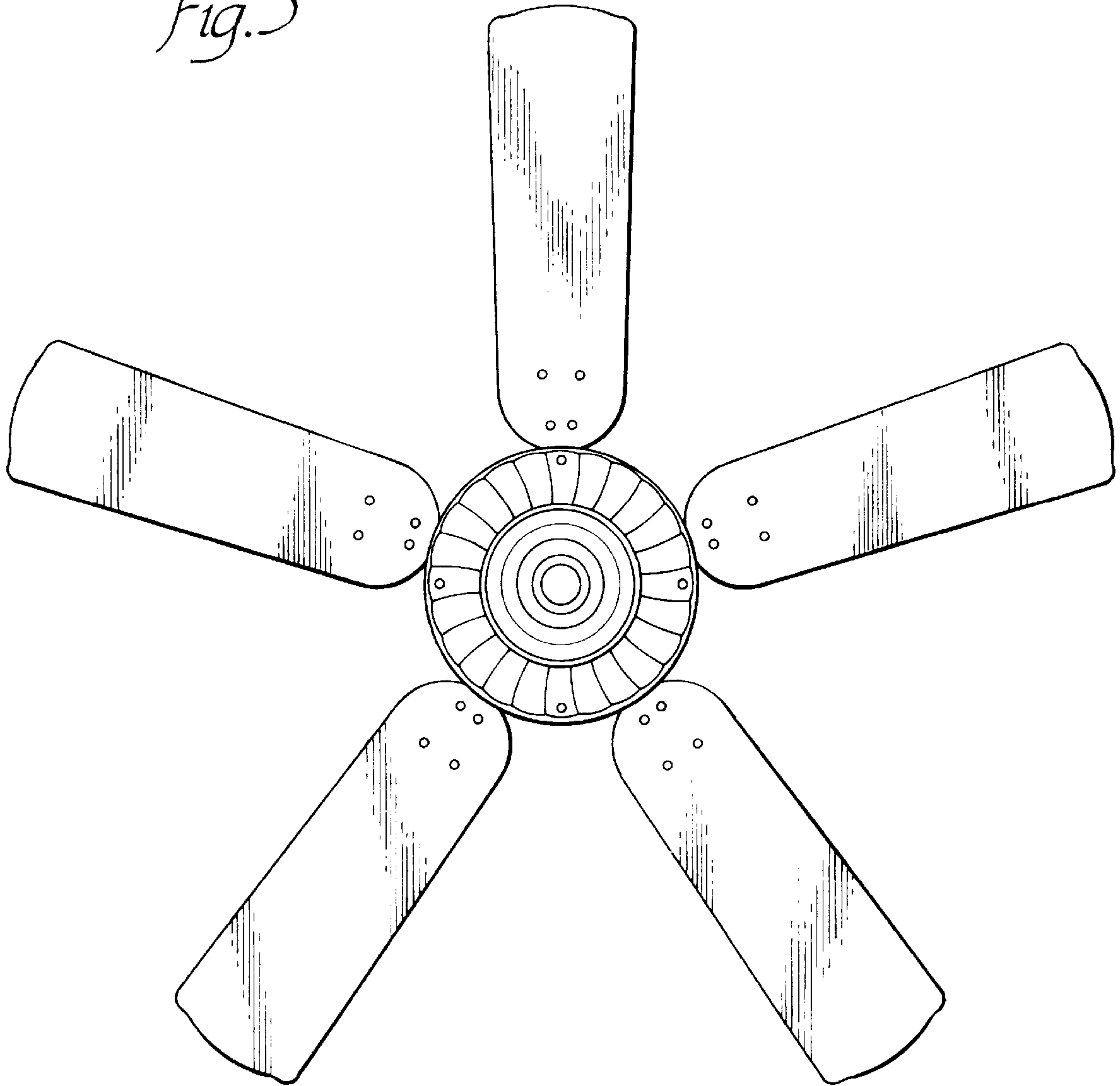


fig. 3



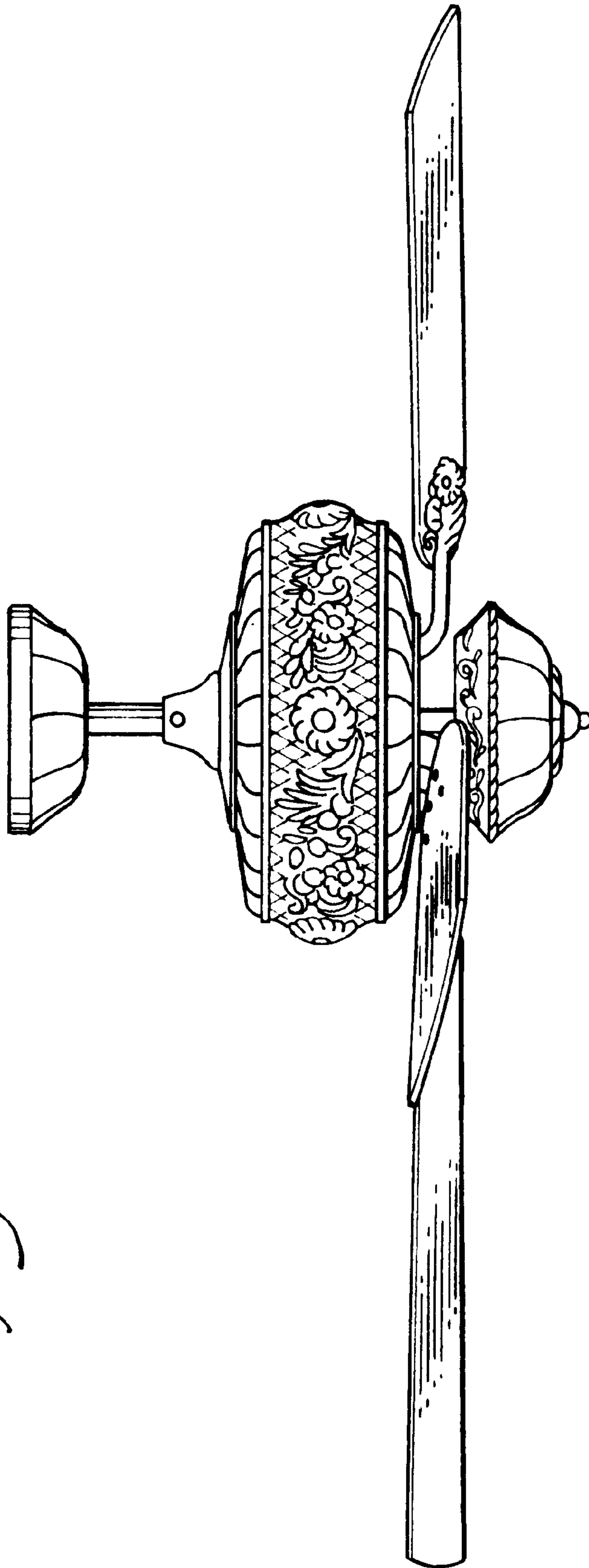


Fig. 4