



US00D428127S

**United States Patent** [19]  
**Miltenberger**

[11] **Patent Number: Des. 428,127**  
[45] **Date of Patent: \*\* Jul. 11, 2000**

[54] **SINK EDGE PROTECTOR**  
[76] Inventor: **Bob Miltenberger**, 225 Young Ranch Rd., Georgetown, Tex. 78628  
[\*\*] Term: **14 Years**  
[21] Appl. No.: **29/115,452**  
[22] Filed: **Dec. 14, 1999**  
[51] **LOC (7) Cl.** ..... **23-02**  
[52] **U.S. Cl.** ..... **D23/311**  
[58] **Field of Search** ..... D23/303, 309, D23/311; D8/307, 308; 4/246.1-246.5, 661

D. 398,041 9/1998 Kitt ..... D23/311  
D. 406,641 3/1999 Siliato ..... D23/311  
D. 417,723 12/1999 Ricigliano ..... D23/311

*Primary Examiner*—Eric Watterson  
*Attorney, Agent, or Firm*—David G. Henry

[57] **CLAIM**

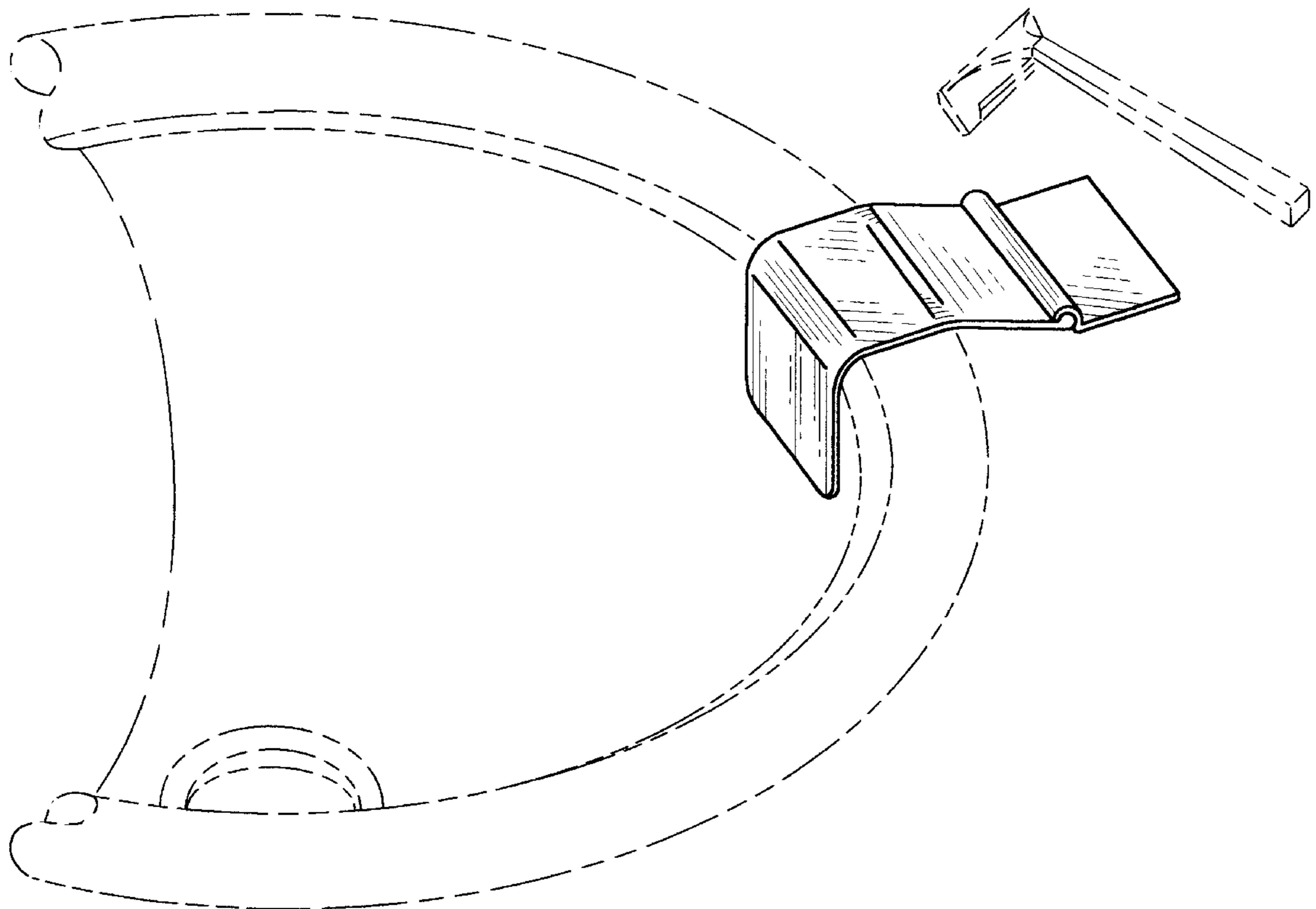
The ornamental design for a sink edge protector, as shown.

**DESCRIPTION**

FIG. 1 is a perspective, environmental view of my sink edge protector showing my new design.  
FIG. 2 is a top plan view thereof.  
FIG. 3 is a bottom plan view thereof.  
FIG. 4 is a rear elevational view thereof.  
FIG. 5 is a front elevational view thereof.  
FIG. 6 is a left elevational side view thereof; and,  
FIG. 7 is a right elevational side view thereof.  
The broken line showing is for illustrative purposes only and forms no part of the claimed design.

[56] **References Cited**  
**U.S. PATENT DOCUMENTS**  
D. 237,797 11/1975 Hermann .  
D. 245,095 7/1977 Murray ..... D8/307  
D. 295,603 5/1988 Giallourakis ..... D8/307  
D. 391,467 3/1998 Cooke ..... D8/307  
D. 395,489 6/1998 Abusaad ..... D23/311

**1 Claim, 7 Drawing Sheets**



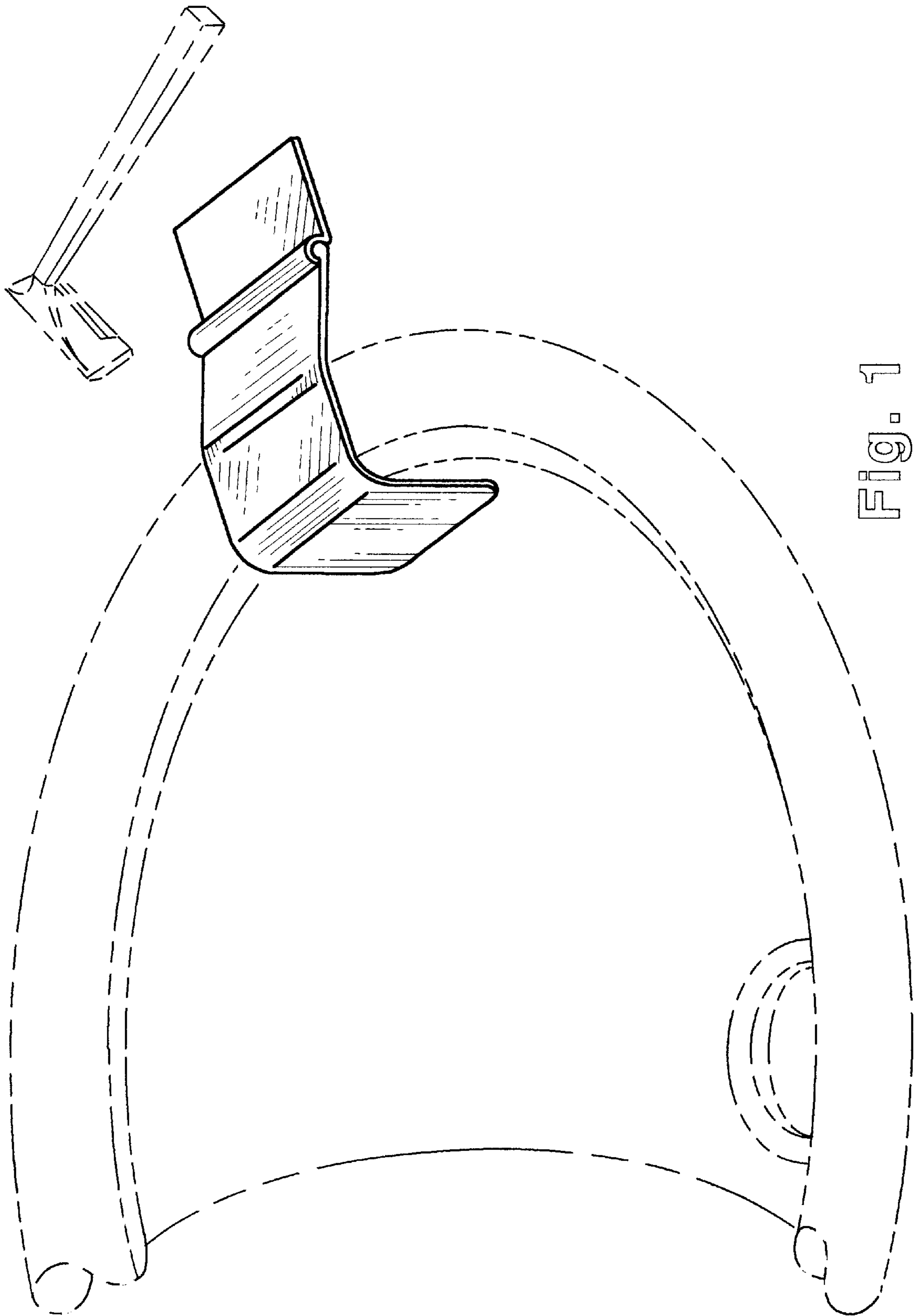
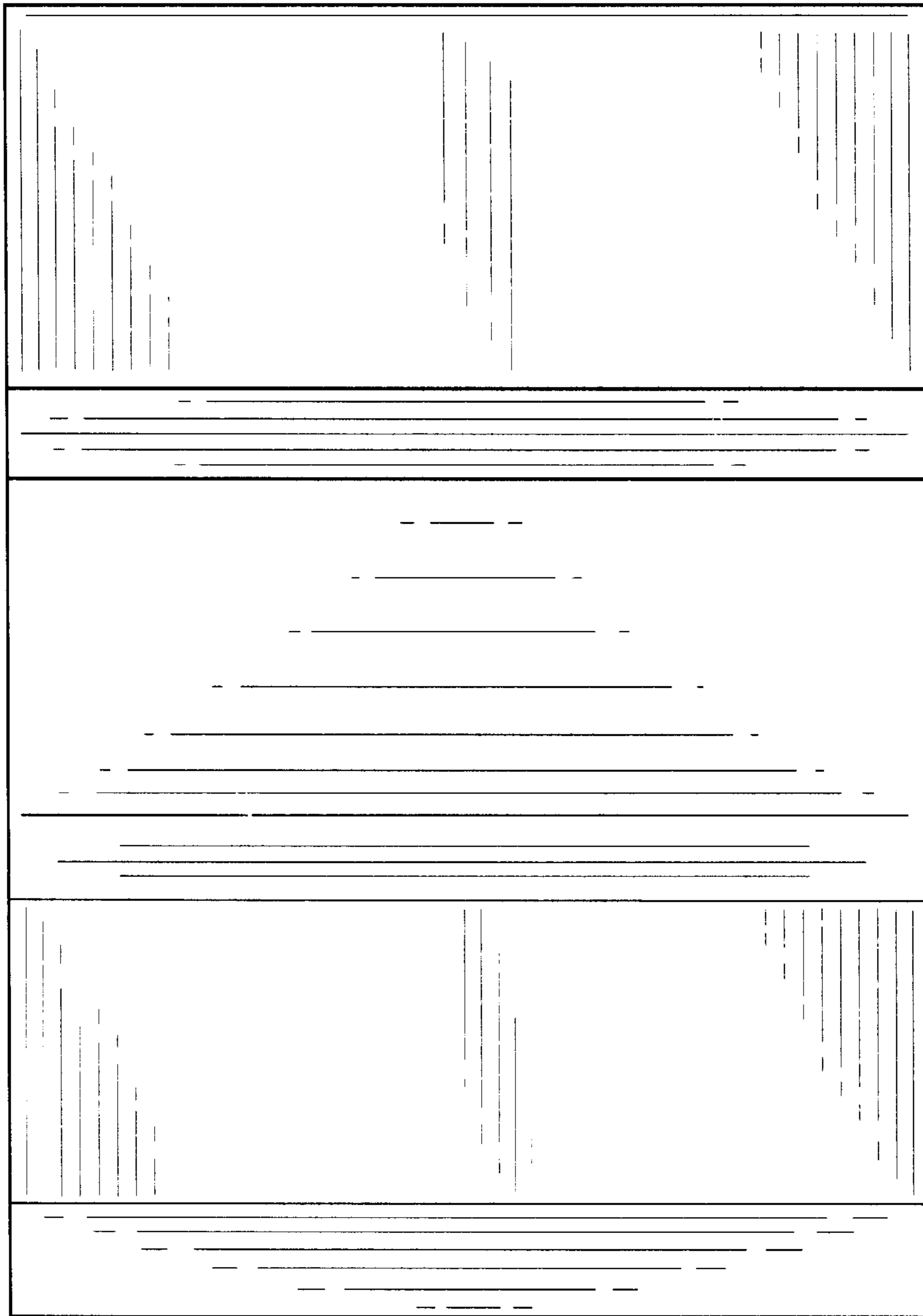


Fig. 1



**Fig. 2**

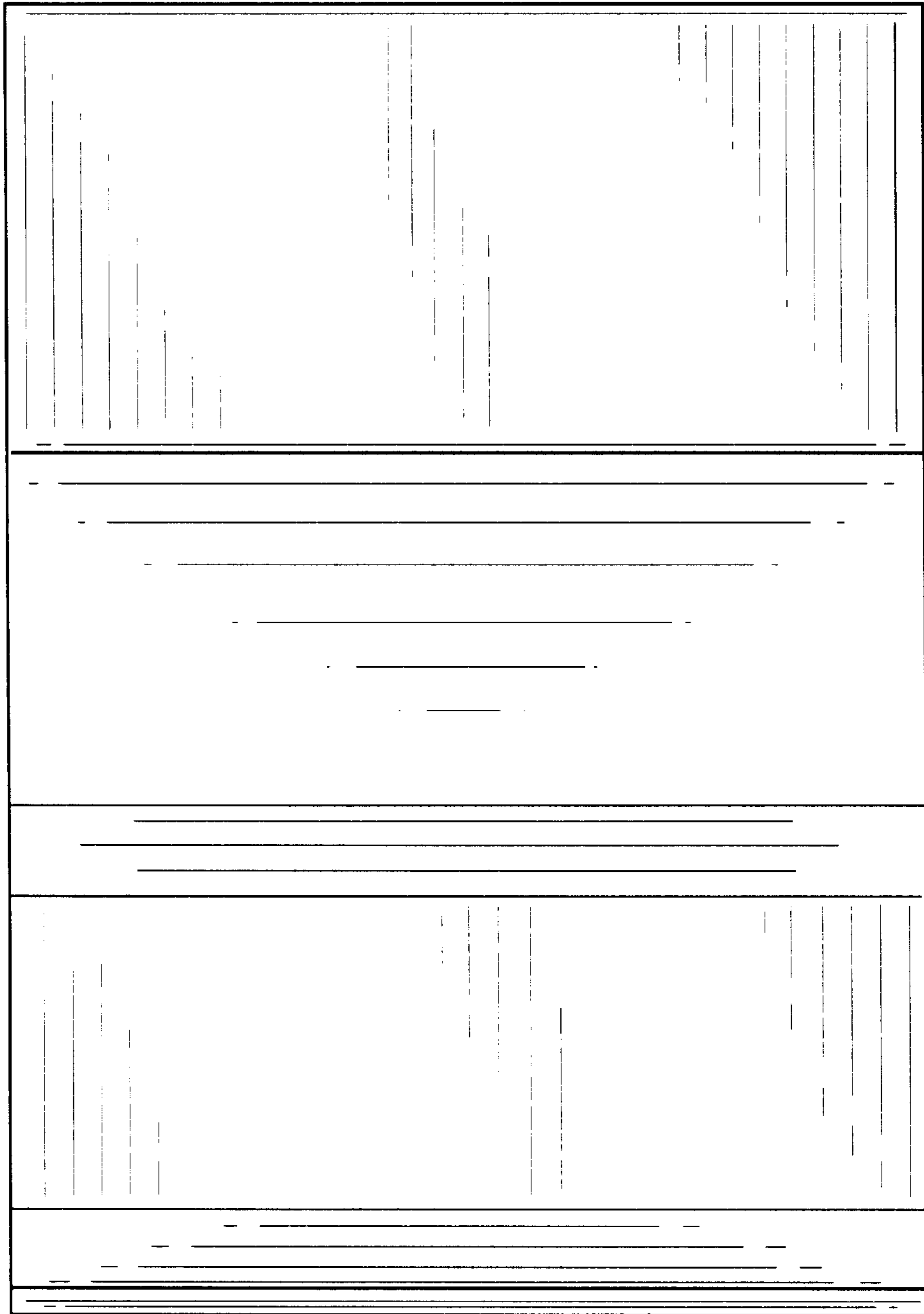


Fig. 3

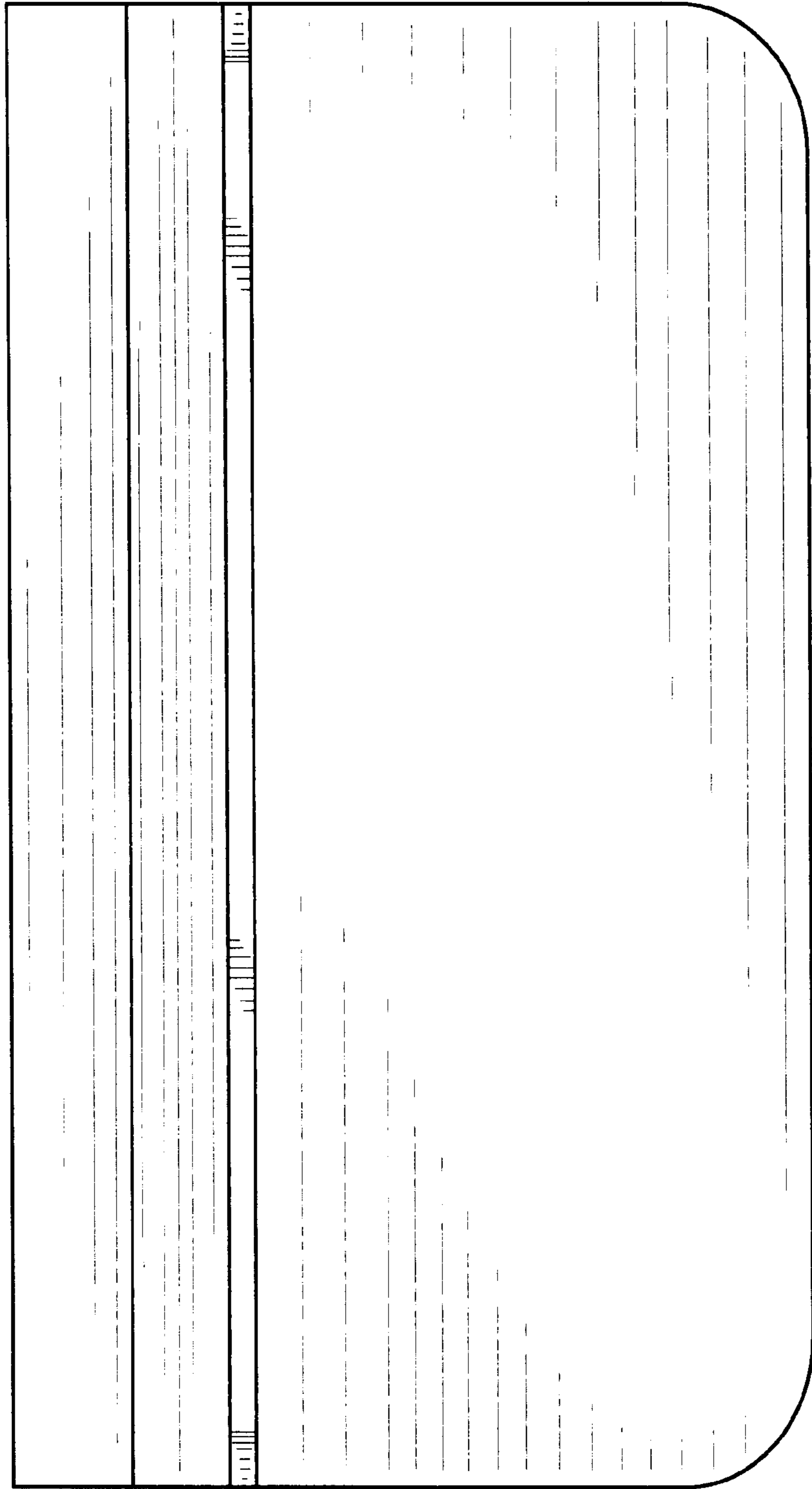


Fig. 4

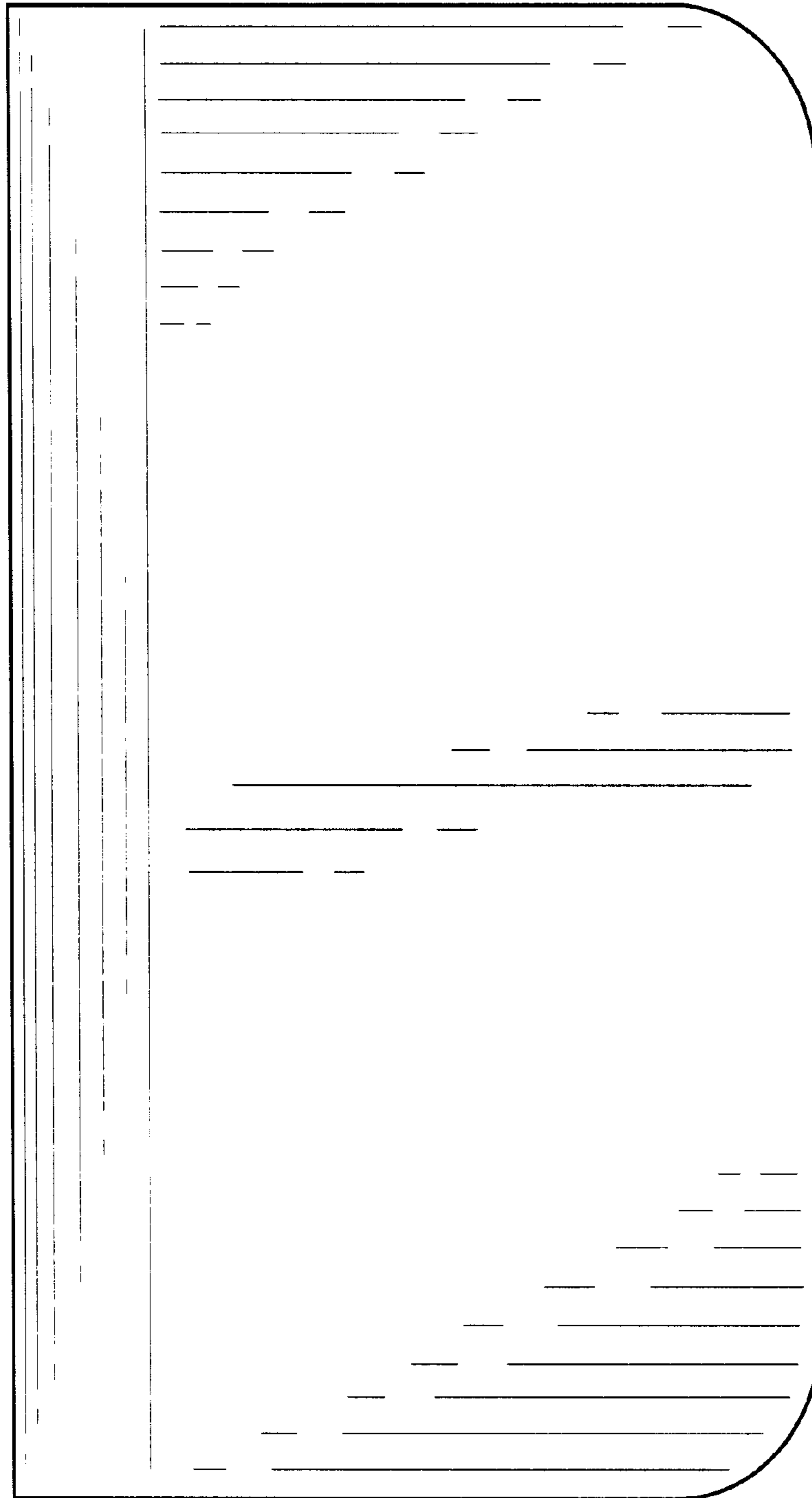


Fig. 5

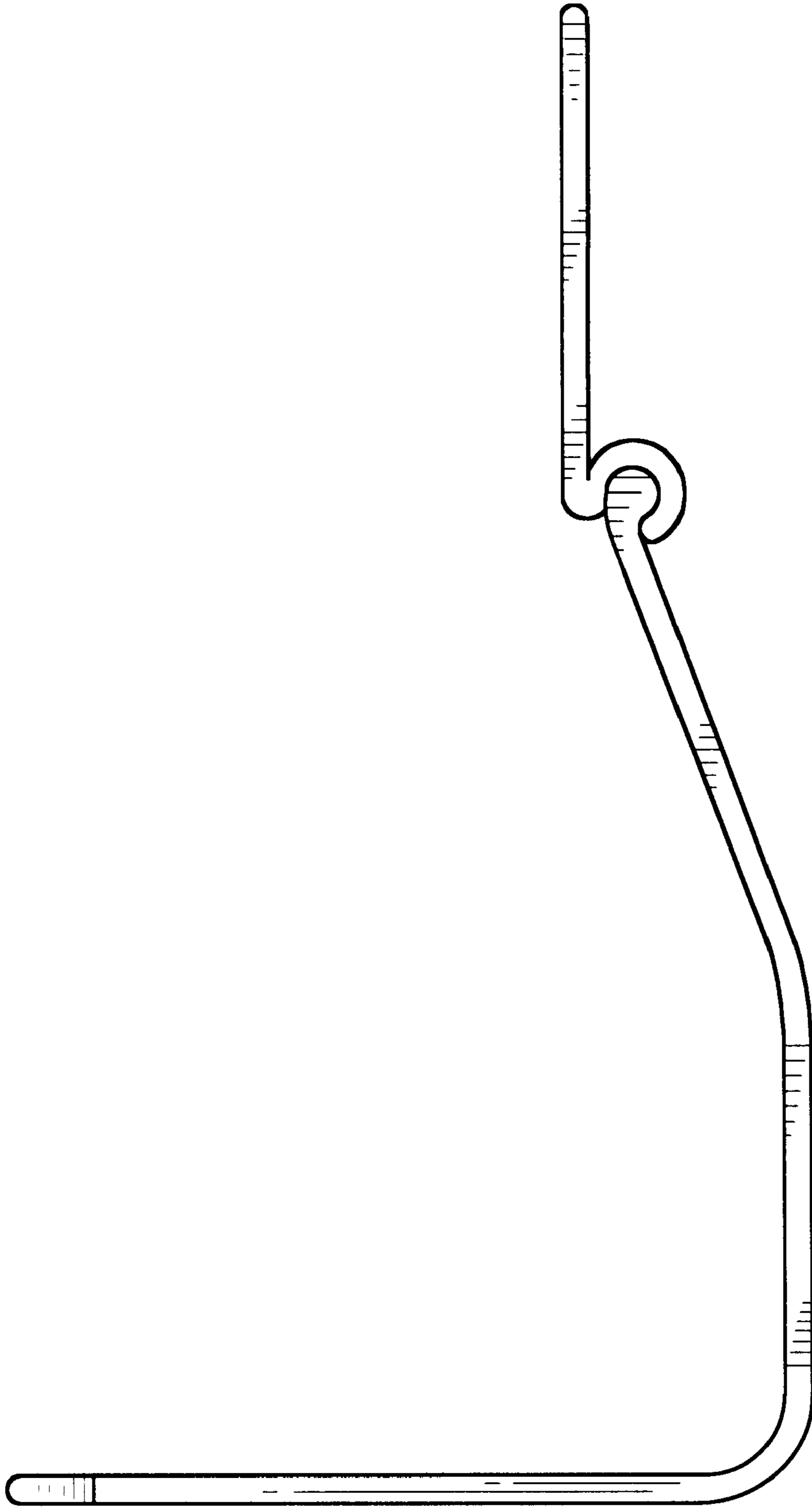


Fig. 6

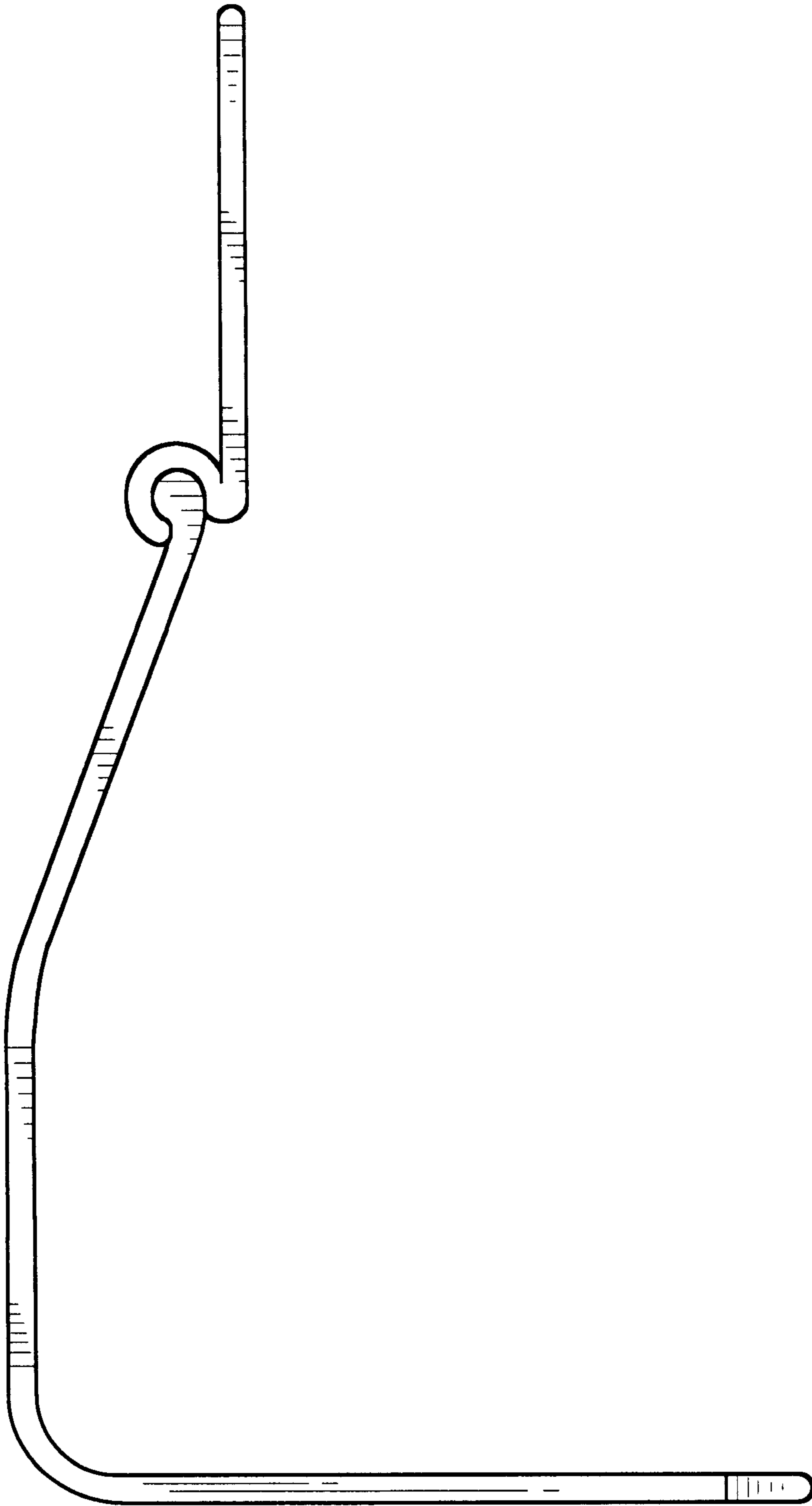


Fig. 7