



US00D428122S

United States Patent [19] Garza

[11] **Patent Number: Des. 428,122**
[45] **Date of Patent: ** Jul. 11, 2000**

[54] **BIDET**

[76] **Inventor: Marcelo Garza Laguera Garza,**
Acambaro No. 459, Col. Cd. Industrial,
Irapuato, Guanajuato, Mexico, 36541

[**] **Term: 14 Years**

[21] **Appl. No.: 29/111,343**

[22] **Filed: Sep. 24, 1999**

[30] Foreign Application Priority Data

Mar. 25, 1999 [MX] Mexico 010957

[51] **LOC (7) Cl. 23-02**

[52] **U.S. Cl. D23/295**

[58] **Field of Search D23/295-301;**
4/328-430

[56] References Cited

U.S. PATENT DOCUMENTS

D. 268,780	4/1983	Doman et al.	D23/301
D. 271,326	11/1983	Doman et al.	D23/301
D. 275,514	9/1984	Enthoven	D23/301
D. 275,598	9/1984	Stairs, Jr.	D23/301
D. 310,407	9/1990	Stairs, Jr.	D23/301
D. 311,242	10/1990	Reid	D23/301
D. 323,880	2/1992	McKeone et al.	D23/295
D. 345,597	3/1994	Kohler, Jr. et al.	D23/301

D. 347,496	5/1994	Wei	D23/301
D. 352,996	11/1994	Sim	D23/301
D. 353,449	12/1994	Kohler, Jr. et al.	D23/295
D. 353,450	12/1994	Anderson et al.	D23/301
D. 355,709	2/1995	Osada	D23/295
D. 370,720	6/1996	Kaiser	D23/301
D. 379,405	5/1997	Shillington	D23/295
D. 379,496	5/1997	Kawamura et al.	D23/301
D. 381,408	7/1997	Birsel et al.	D23/301
D. 382,046	8/1997	Birsel et al.	D23/295
D. 383,833	9/1997	Birsel et al.	D23/301
D. 384,136	9/1997	Kawamura et al.	D23/301

Primary Examiner—Eric Watterson
Attorney, Agent, or Firm—Bracewell & Patterson, L.L.P.

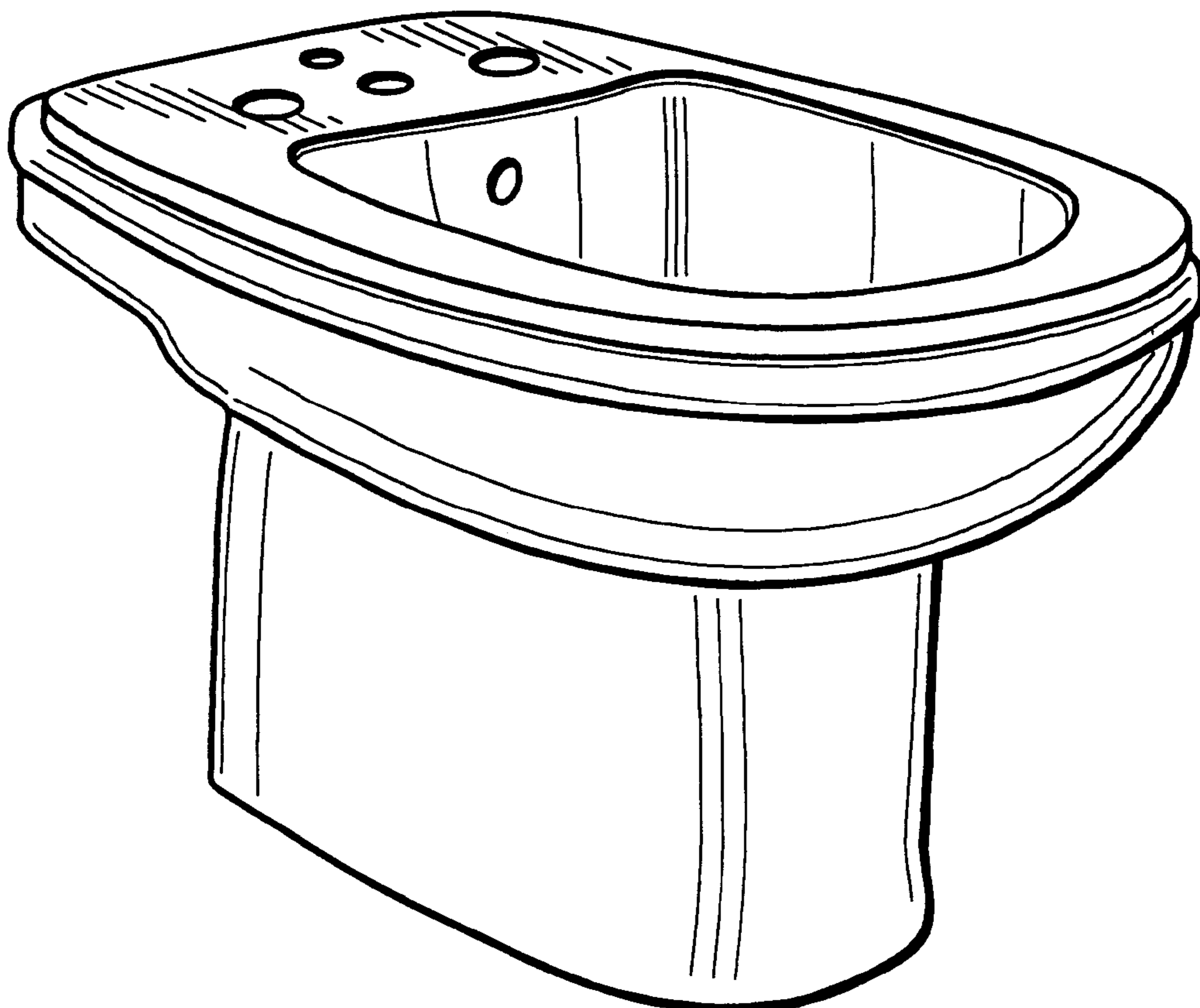
[57] CLAIM

The ornamental design for bidet, as shown.

DESCRIPTION

FIG. 1 is an isometric view showing the ornamental design for a bidet according to the present invention.
FIG. 2 is a top elevation view of the bidet of FIG. 1.
FIG. 3 is a front plan view of the bidet of FIG. 1.
FIG. 4 is a left side elevation view of the bidet of FIG. 1; and,
FIG. 5 is a right side elevation view of the bidet of FIG. 1.
The bottom view of the bidet of FIG. 1 is plain and unornamental.

1 Claim, 2 Drawing Sheets



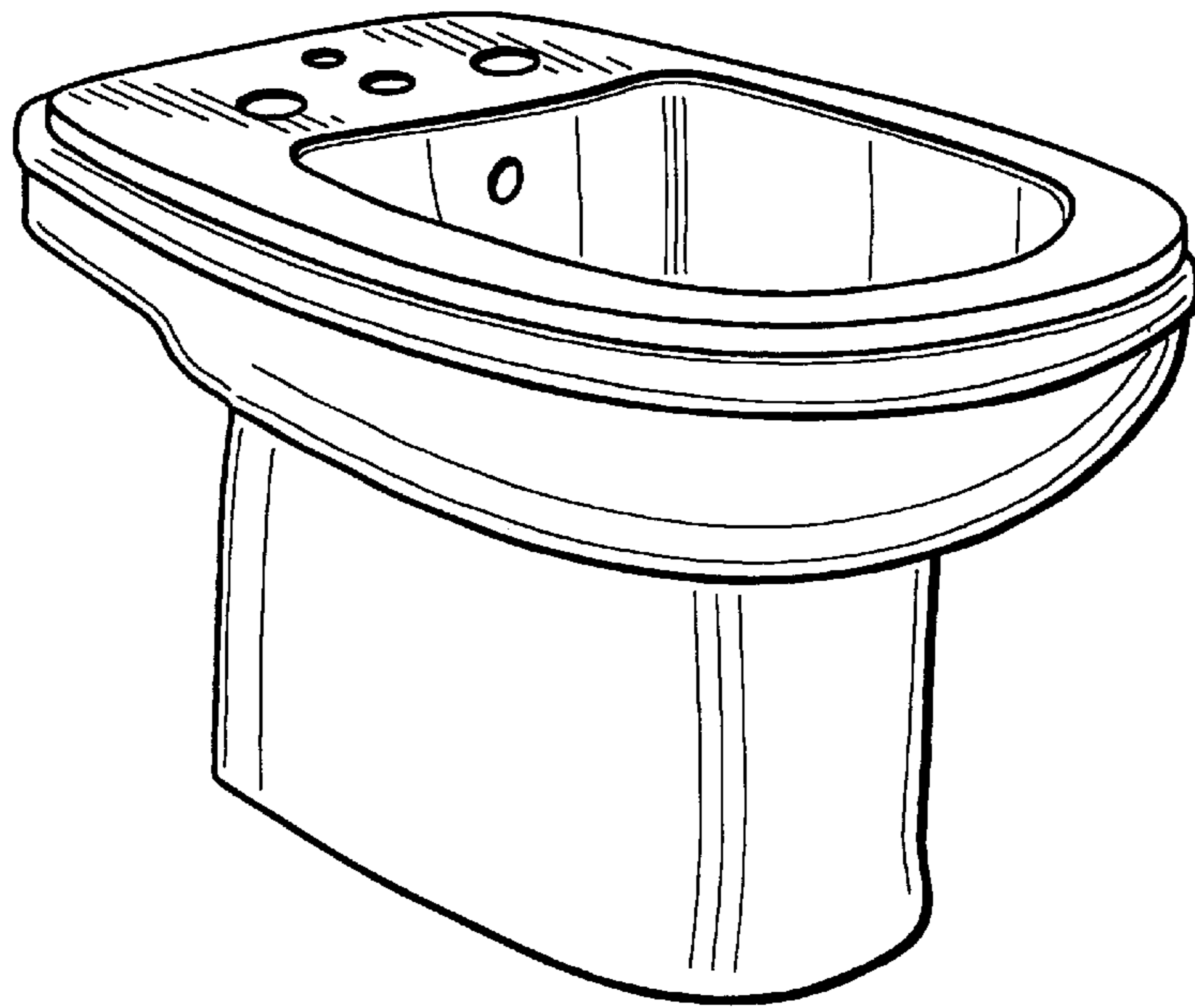


FIG. 1

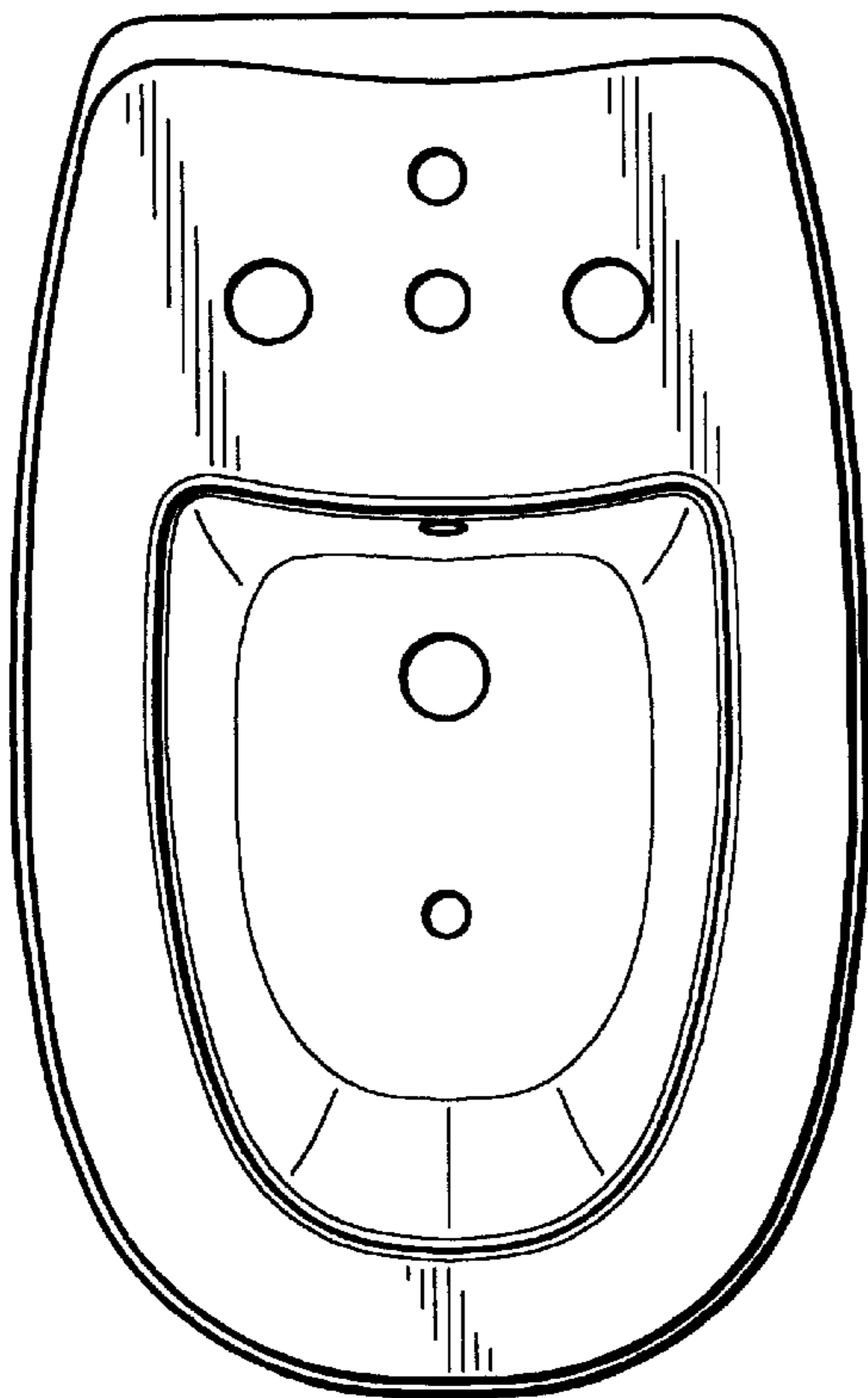


FIG. 2

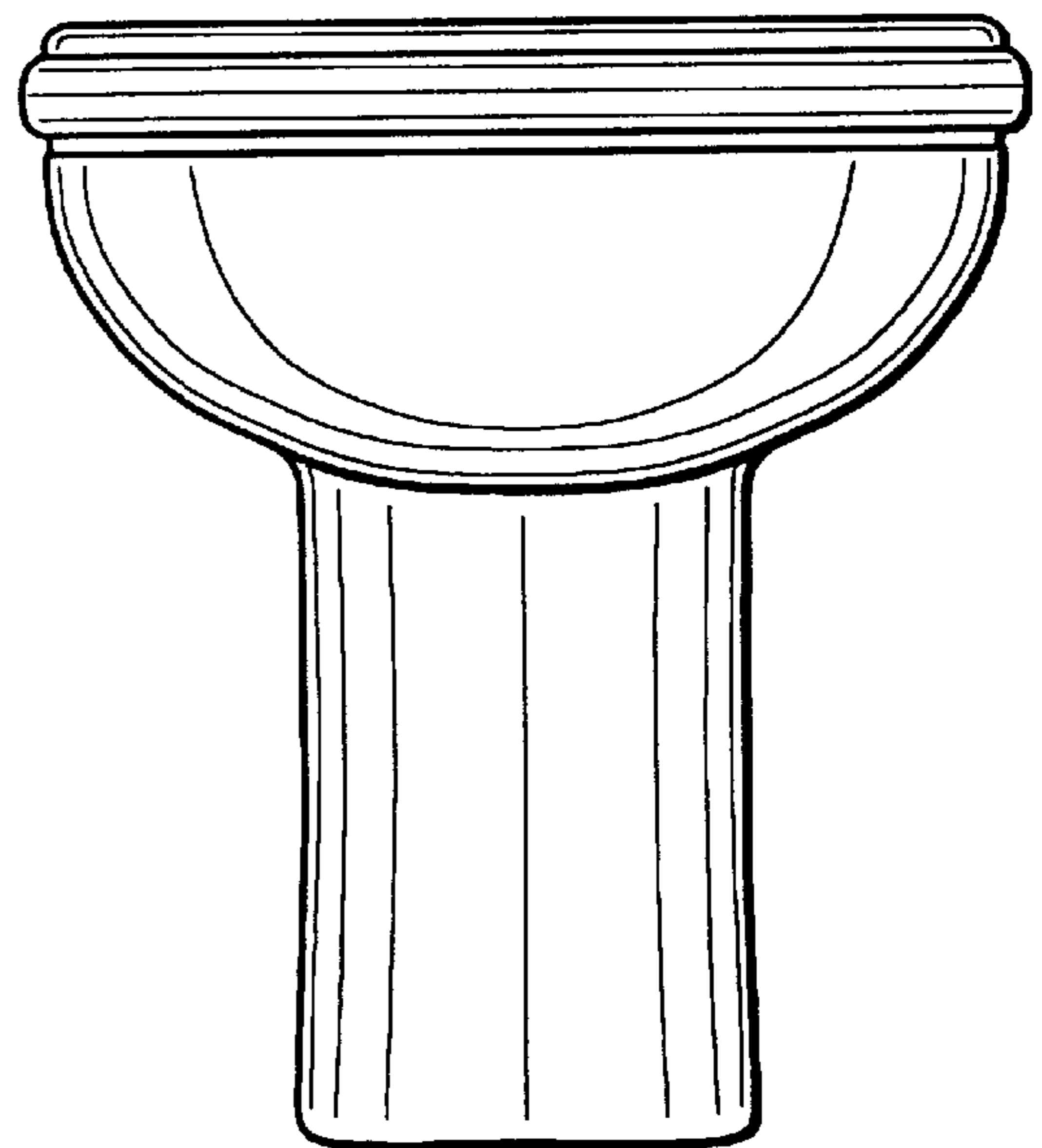


FIG. 3

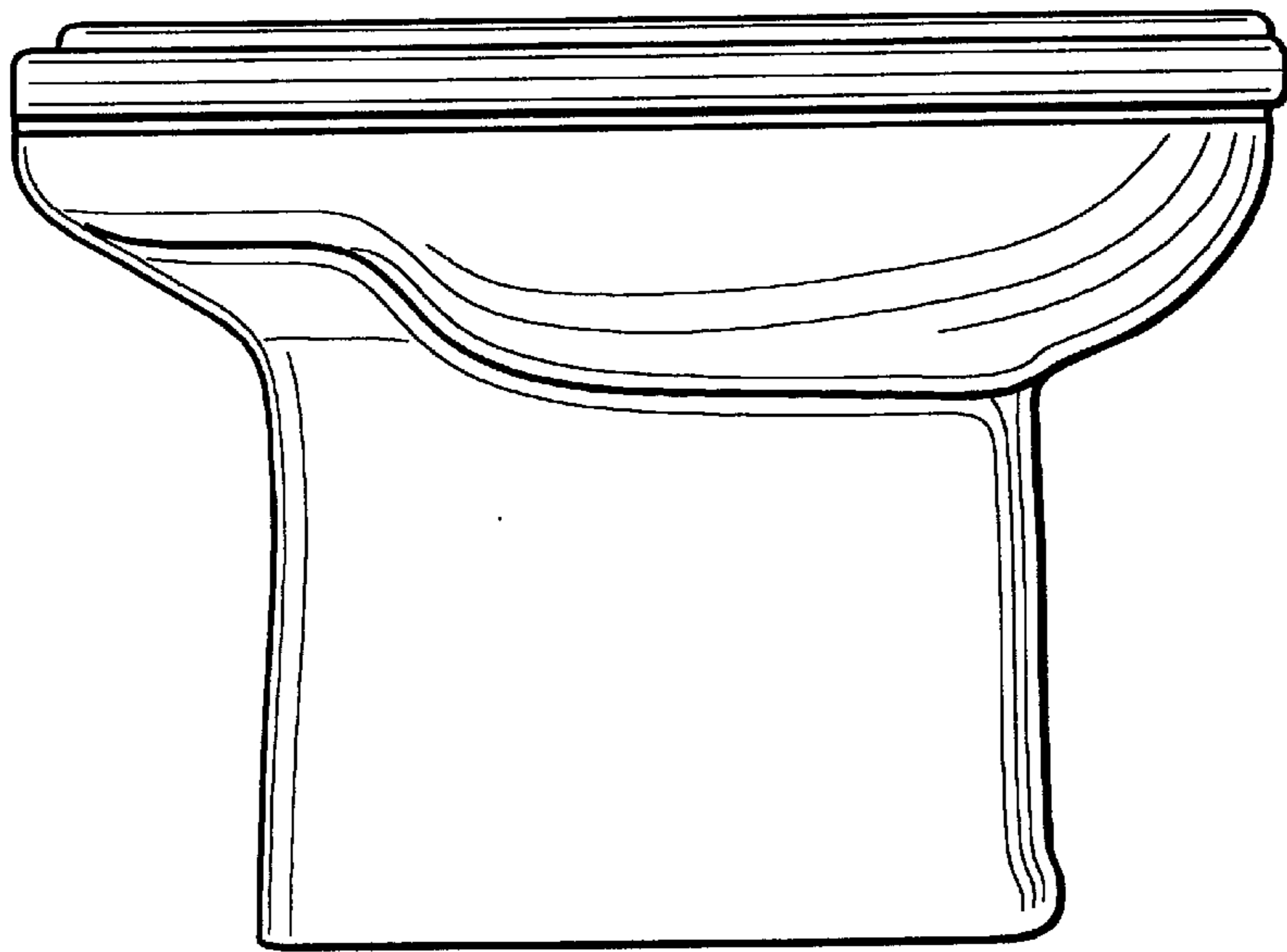


FIG. 4

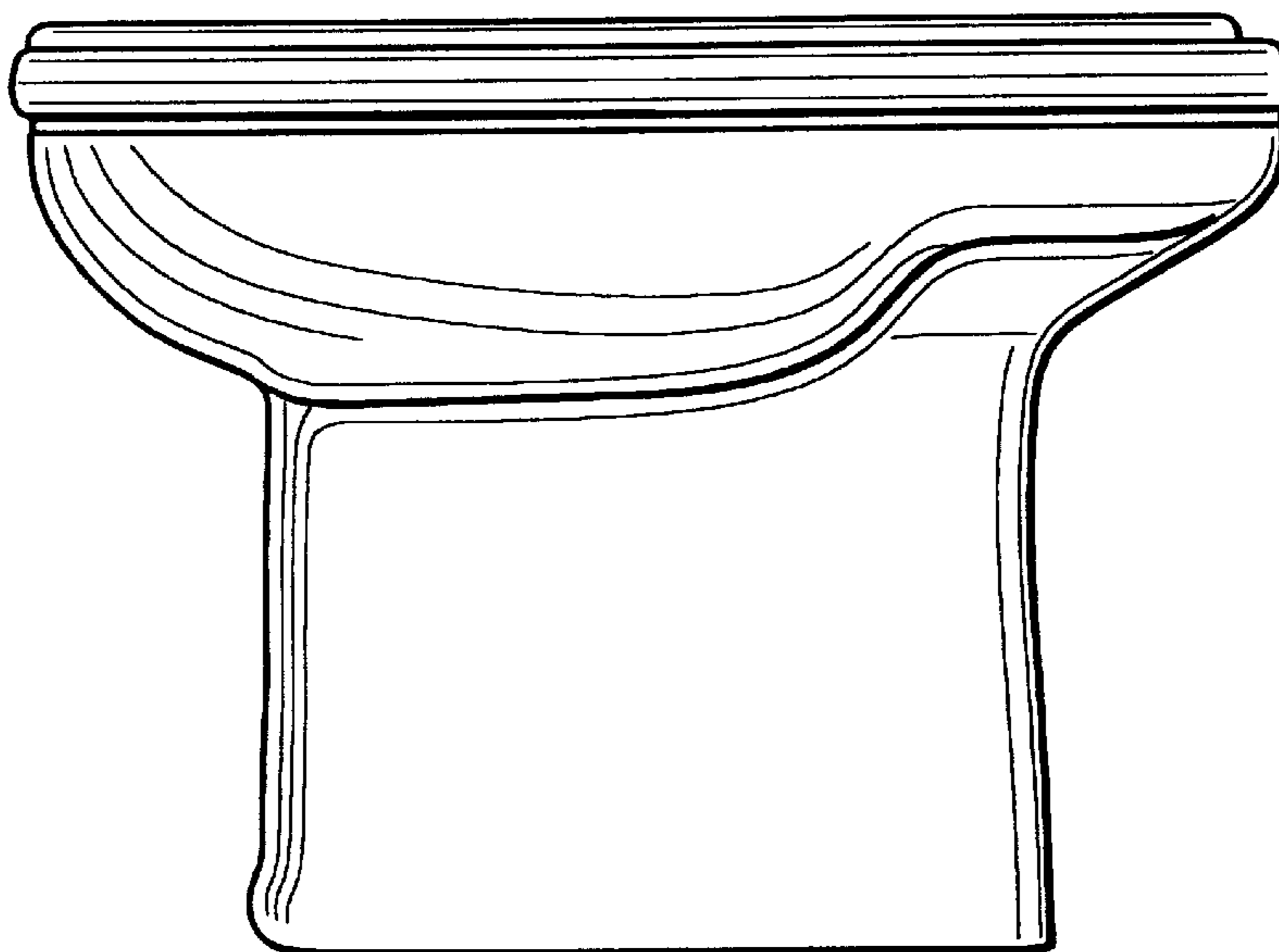


FIG. 5