



US00D428121S

# United States Patent [19]

Missick et al.

[11] Patent Number: **Des. 428,121**

[45] Date of Patent: **\*\* Jul. 11, 2000**

[54] **CURB PROTECTOR FOR ROOF DRAINS**

4,549,833 10/1985 Ferns ..... 404/4  
4,637,585 1/1987 Picollo ..... 249/10

[76] Inventors: **Gregory Missick**, 5362 Bolsa Ave., Suite C, H.B.; **Brent W. Chapman**, 4771 Pearce St., Huntington Bch, both of Calif. 92649

*Primary Examiner*—Alan P. Douglas  
*Assistant Examiner*—Reid Hecker  
*Attorney, Agent, or Firm*—James G. O’Neill

[\*\*] Term: **14 Years**

### [57] CLAIM

[21] Appl. No.: **29/116,284**

The ornamental design for a curb protector for roof drains, as shown and described.

[22] Filed: **Dec. 29, 1999**

### DESCRIPTION

#### Related U.S. Application Data

[62] Division of application No. 29/105,506, May 27, 1999.

FIG. 1 is an isometric view of a curb protector for roof drains, showing our new design;  
FIG. 2 is a cross sectional view taken along line 2—2 of FIG. 1;  
FIG. 3 is a front elevational view of FIG. 1;  
FIG. 4 is a rear elevational view of FIG. 1;  
FIG. 5 is a side elevational view of FIG. 1; the other side view being a mirror image thereof;  
FIG. 6 is a bottom plan view of FIG. 1; and,  
FIG. 7 is a top plan view of FIG. 1.  
The broken line showing of a curb in FIG. 1 is for illustrative purposes only, and forms no part of the claimed design.

[51] **LOC (7) Cl.** ..... **23-01**

[52] **U.S. Cl.** ..... **D23/261**

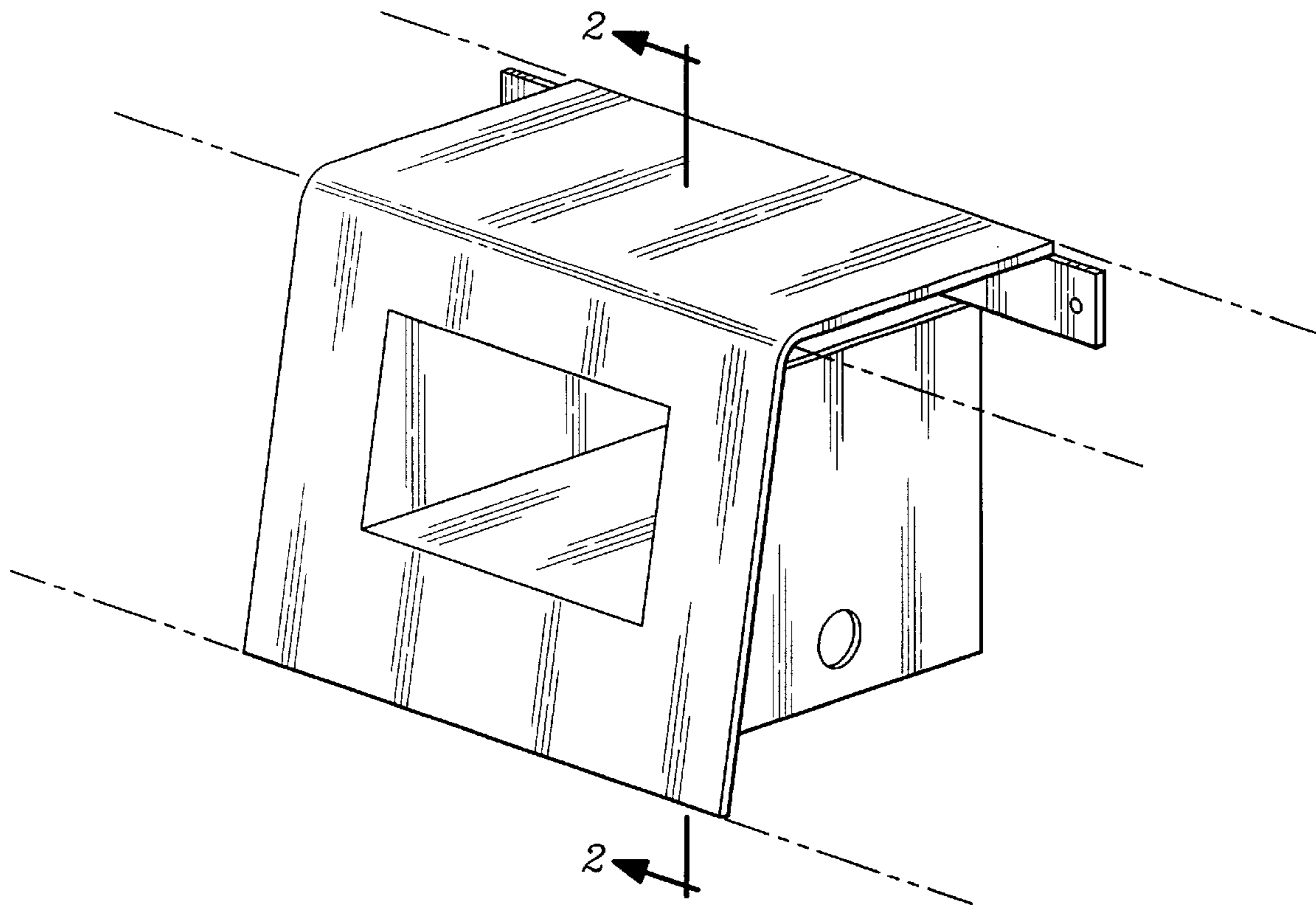
[58] **Field of Search** ..... D23/261, 388;  
404/4, 5, 7, 8; 249/10

#### [56] References Cited

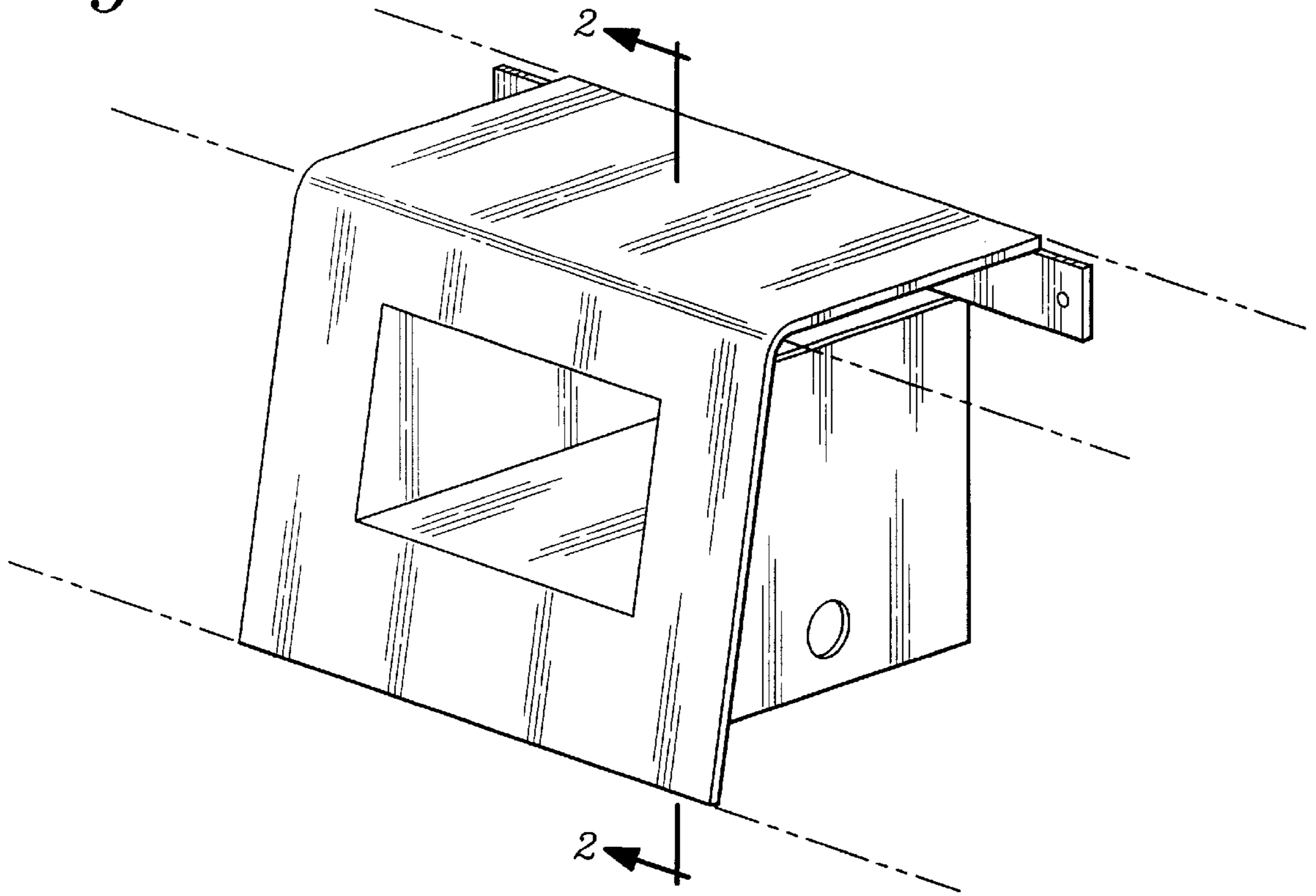
##### U.S. PATENT DOCUMENTS

714,185 11/1902 Jackson et al. .... 404/4  
1,978,491 10/1934 Gladman ..... 404/7

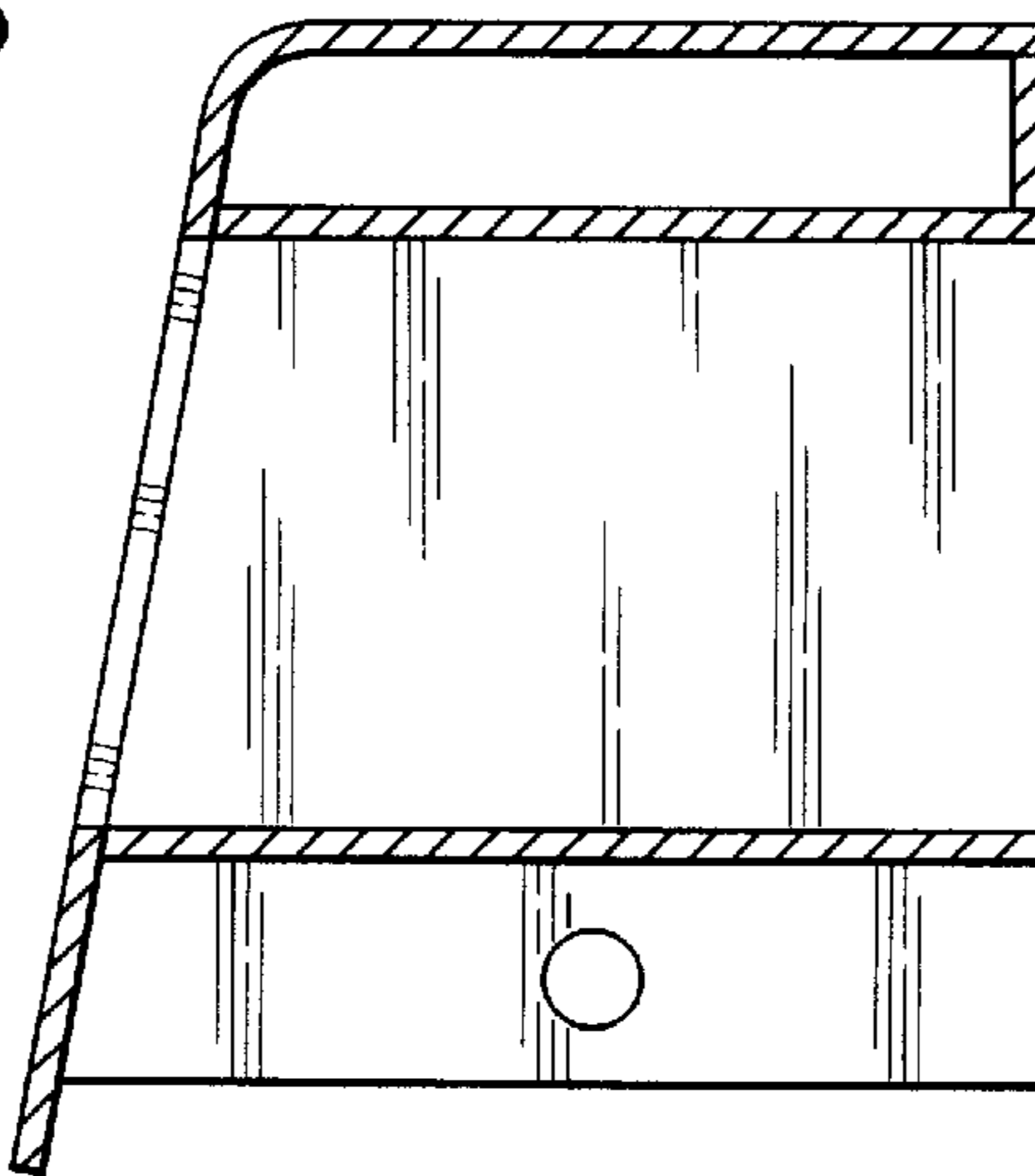
**1 Claim, 3 Drawing Sheets**



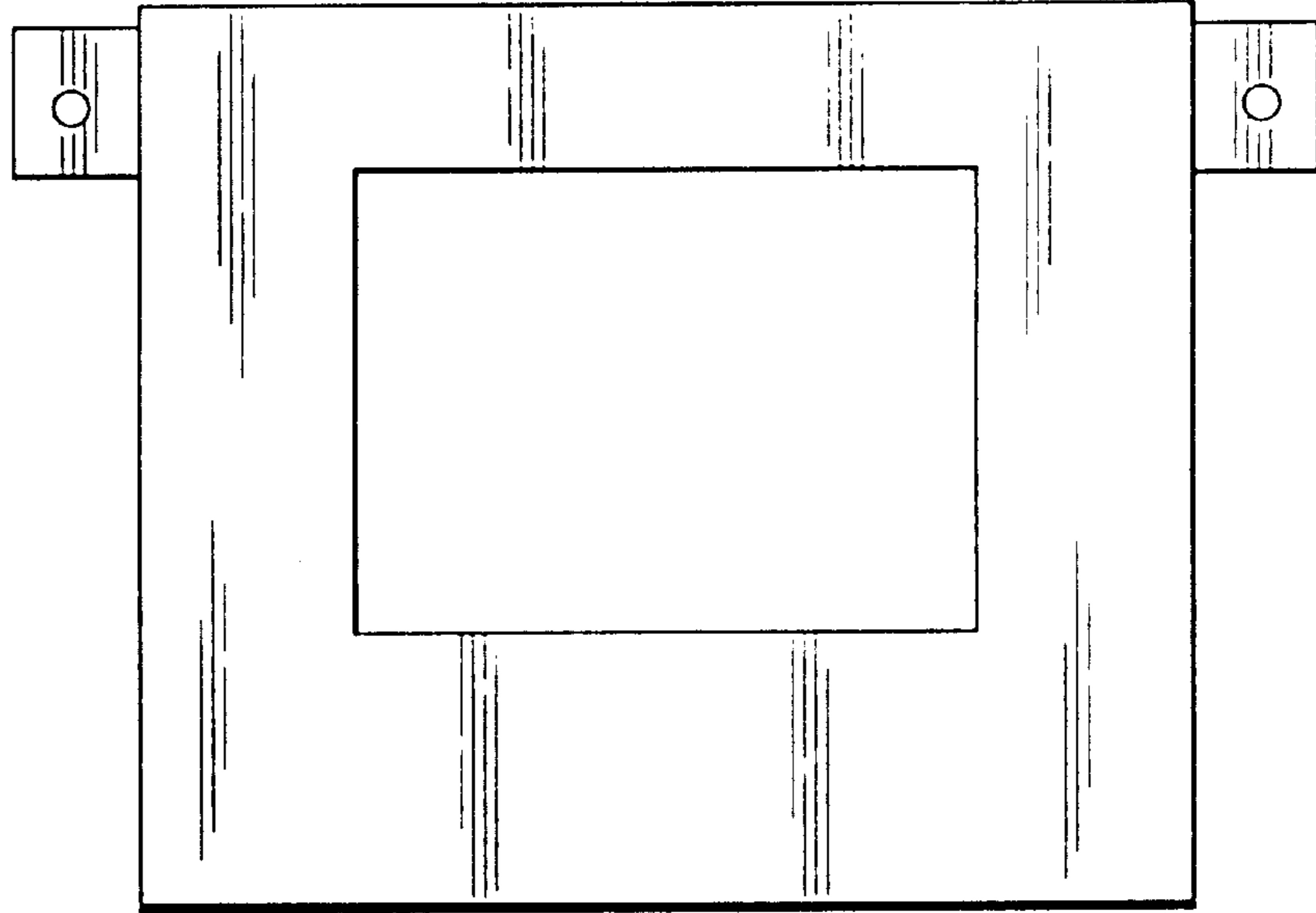
*Fig. 1*



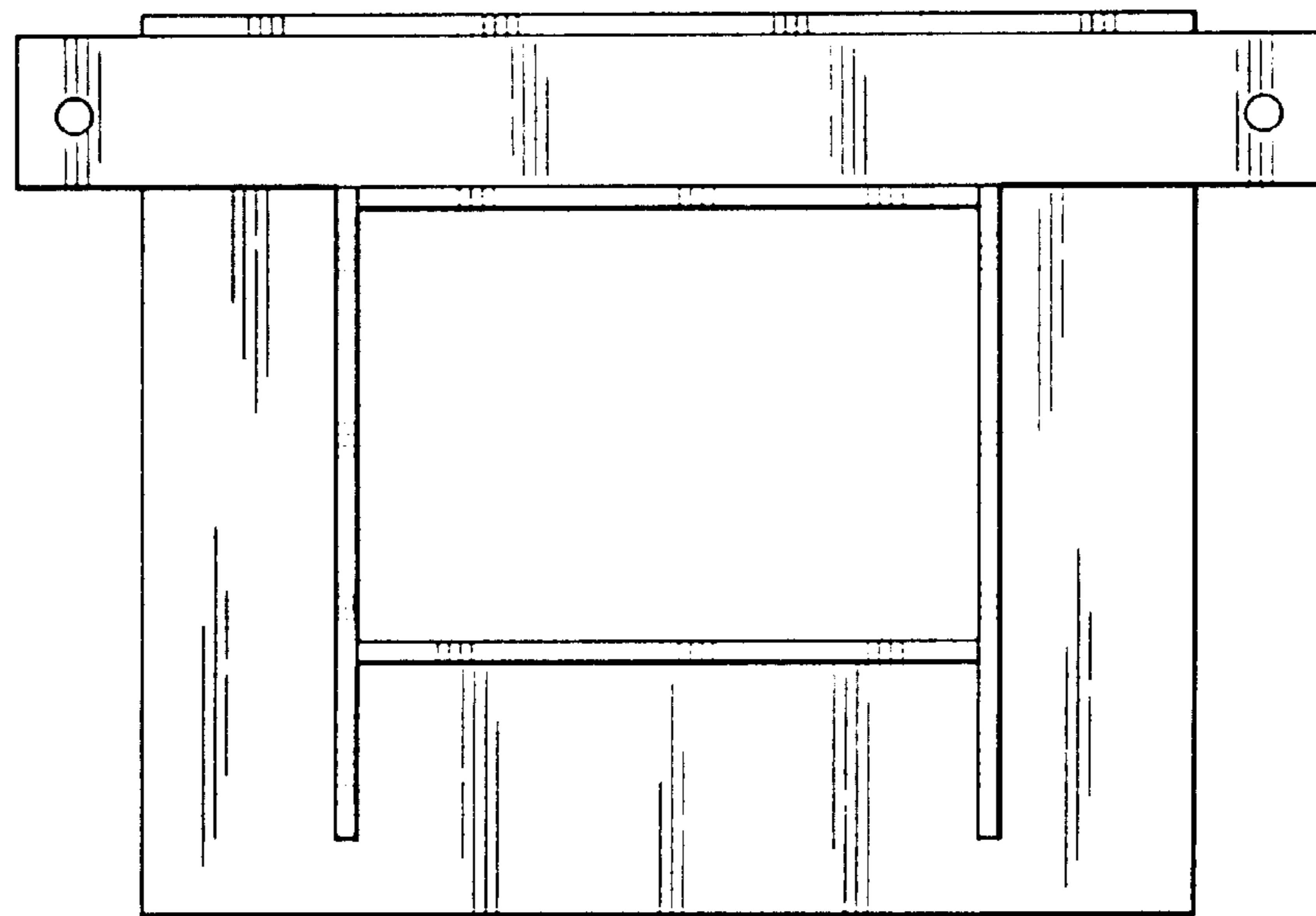
*Fig. 2*



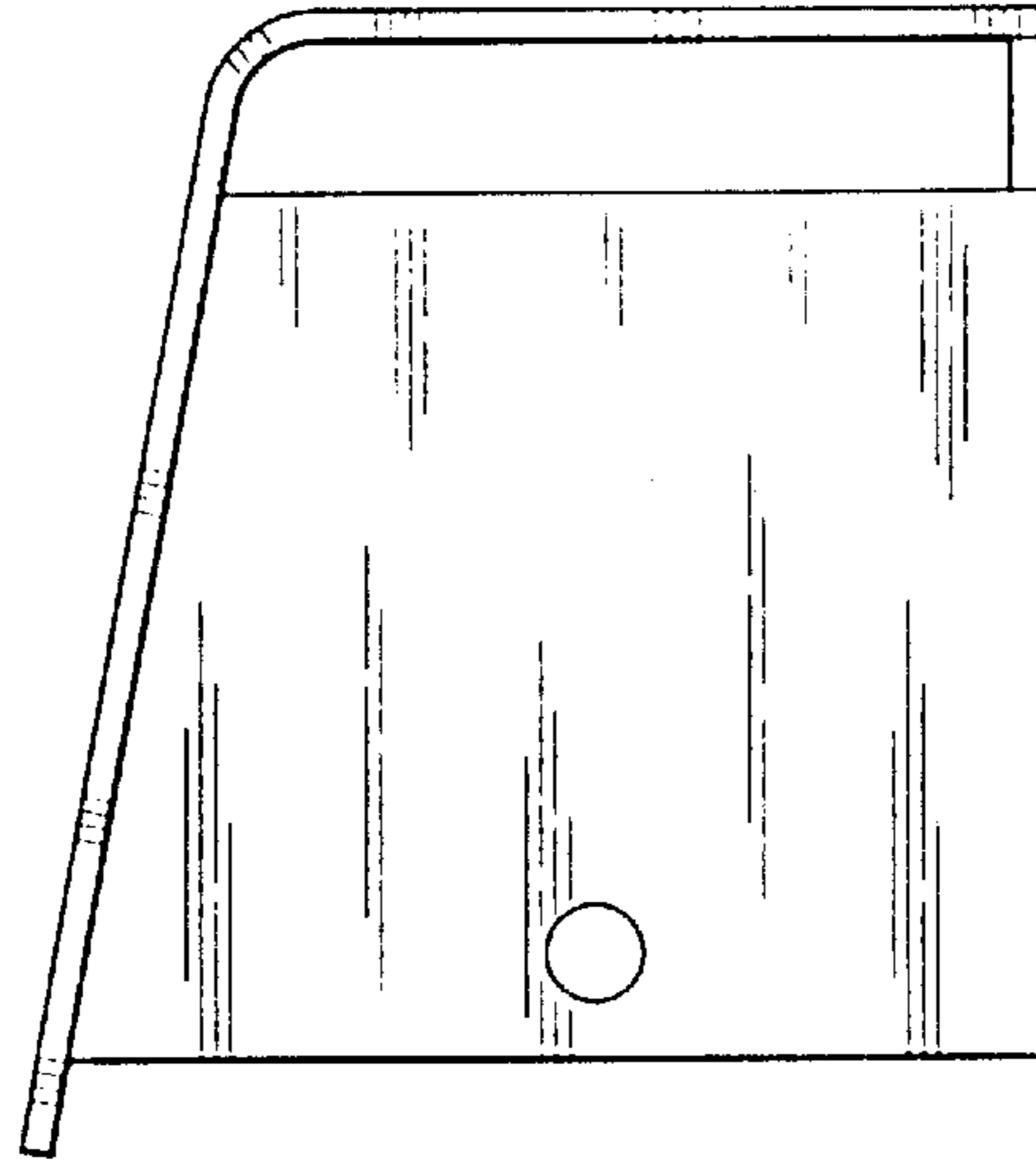
*Fig. 3*



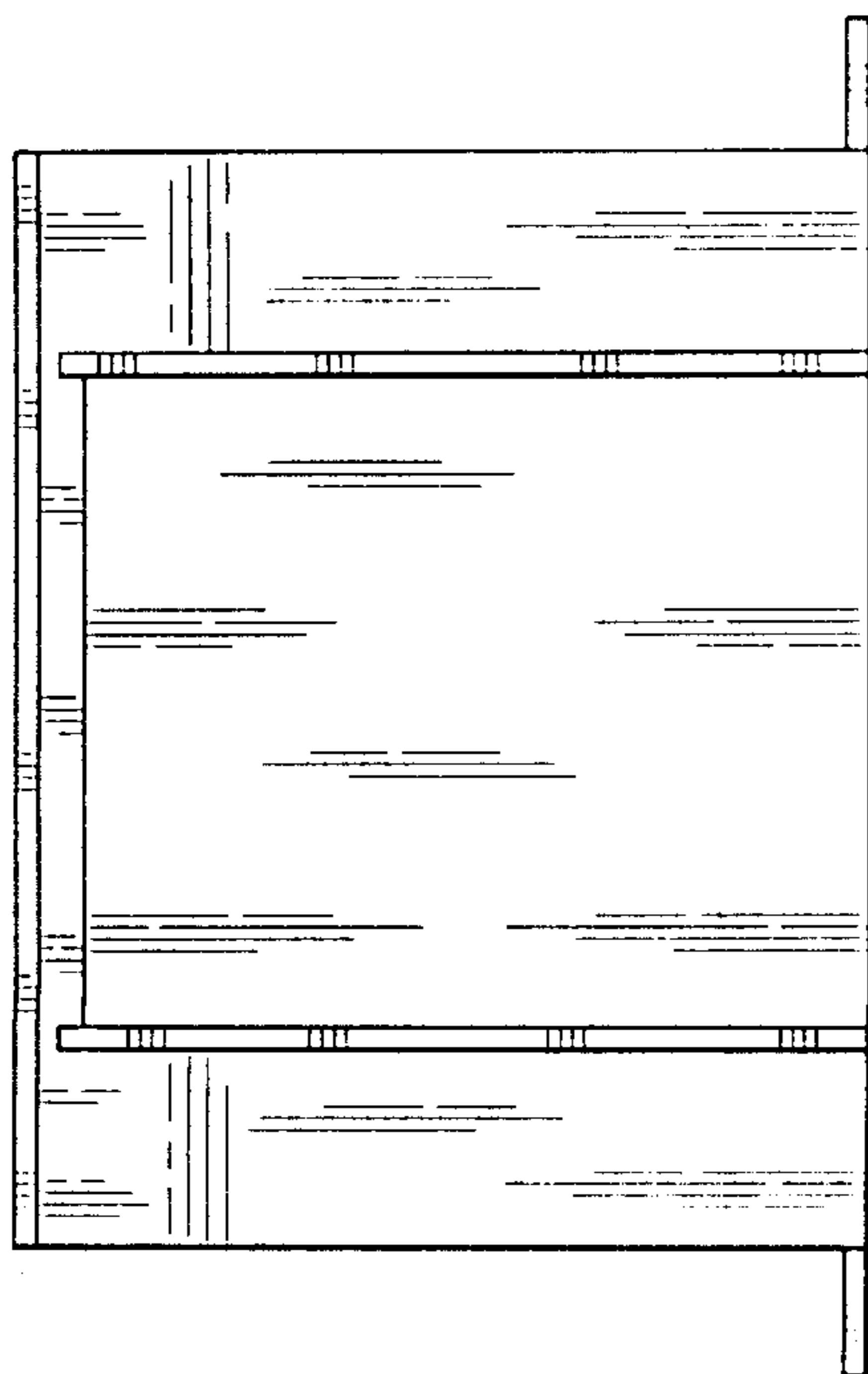
*Fig. 4*



*Fig. 5*



*Fig. 6*



*Fig. 7*

