



US00D428119S

# United States Patent [19]

Fiegl et al.

[11] **Patent Number: Des. 428,119**

[45] **Date of Patent: \*\* Jul. 11, 2000**

[54] **COMBINED HANDLE AND ESCUTCHEON**

[75] Inventors: **Tomas Fiegl; Achim Pohl**, both of Darmstadt, Germany

[73] Assignee: **Hansa Metallwerke AG**, Germany

[\*\*] Term: **14 Years**

[21] Appl. No.: **29/099,635**

[22] Filed: **Jan. 25, 1999**

[30] **Foreign Application Priority Data**

Jul. 24, 1998 [DE] Germany ..... 498 07 419

[51] **LOC (7) Cl.** ..... **23-01**

[52] **U.S. Cl.** ..... **D23/254**

[58] **Field of Search** ..... D23/238-243, D23/250-257; 4/675-678; 137/801

[56] **References Cited**

**U.S. PATENT DOCUMENTS**

D. 363,765 10/1995 Starck ..... D23/254

D. 373,180 8/1996 Gottwald ..... D23/254  
D. 402,006 12/1998 Hill et al. .... D23/254  
D. 402,010 12/1998 Lord ..... D23/254  
D. 403,750 1/1999 Fabian ..... D23/254

*Primary Examiner*—Eric Watterson

[57] **CLAIM**

We claim the ornamental design for a combined handle and escutcheon, as shown.

**DESCRIPTION**

FIG. 1 is a left side elevation of a combined handle and escutcheon showing our new design, which is a mirror image of a right side elevation.

FIG. 2 is a front view thereof.

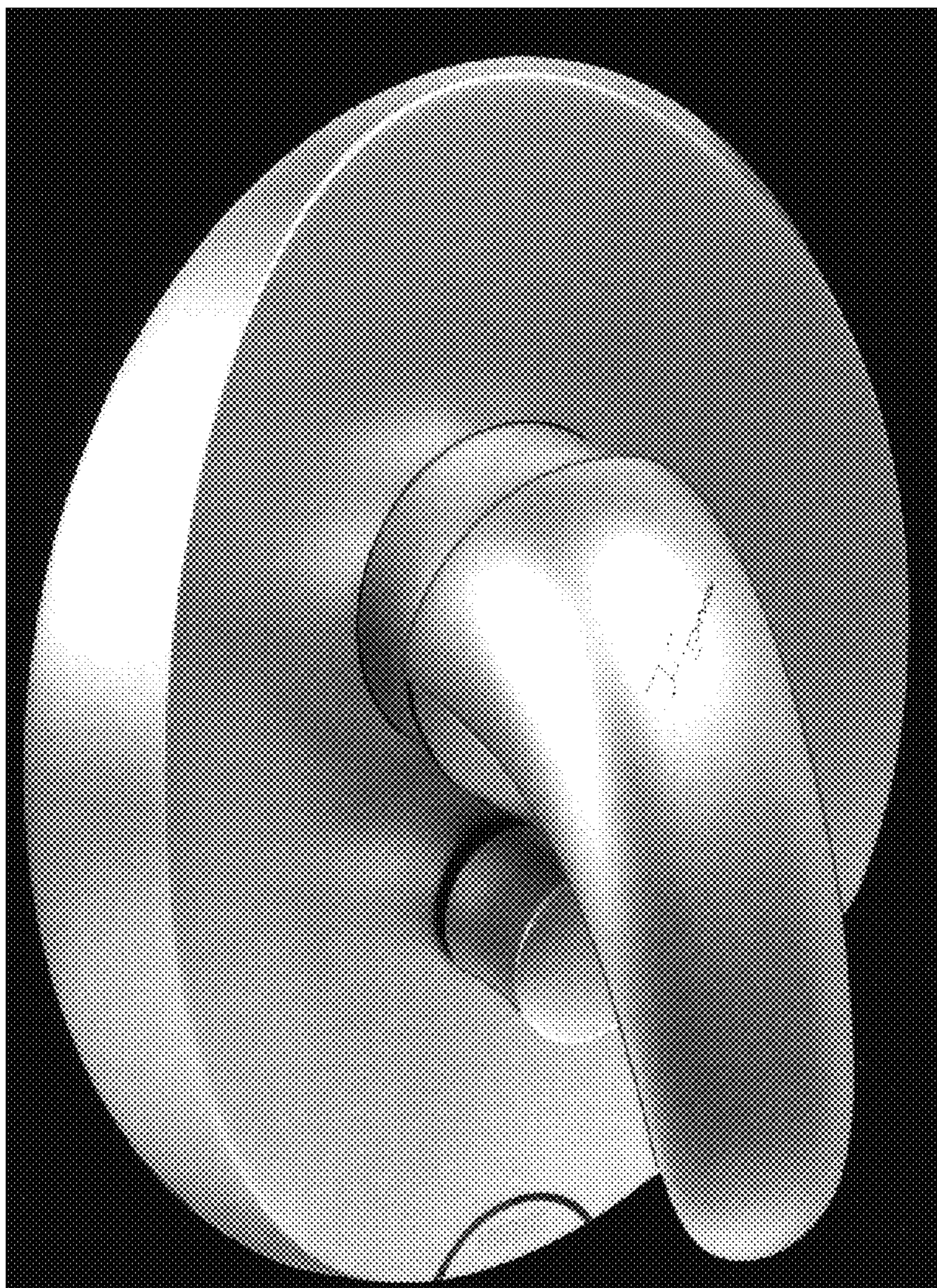
FIG. 3 is a rear view thereof.

FIG. 4 is a top view thereof.

FIG. 5 is a bottom view thereof; and,

FIG. 6 is a perspective view thereof.

**1 Claim, 6 Drawing Sheets**





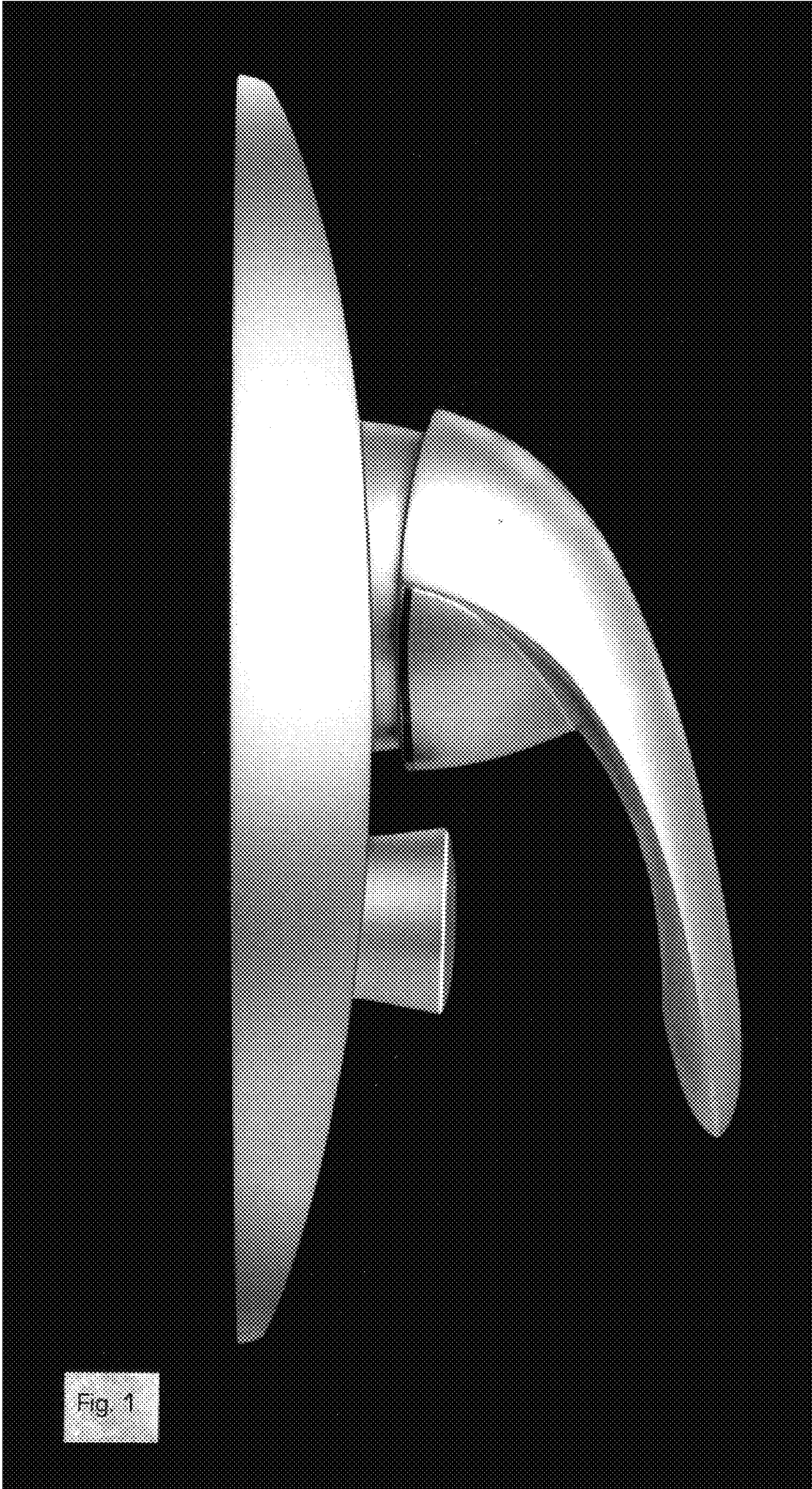


Fig. 1



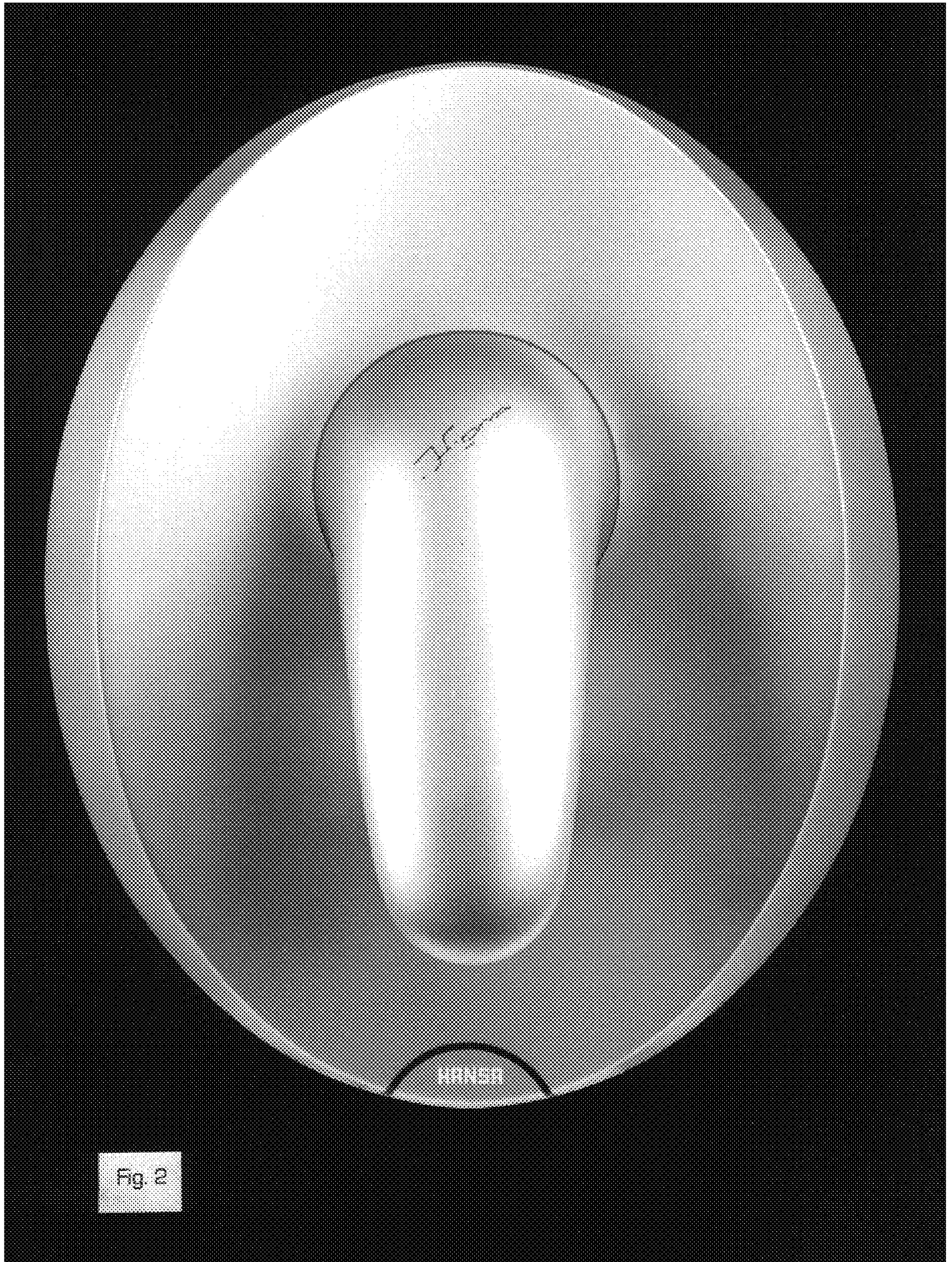


Fig. 2



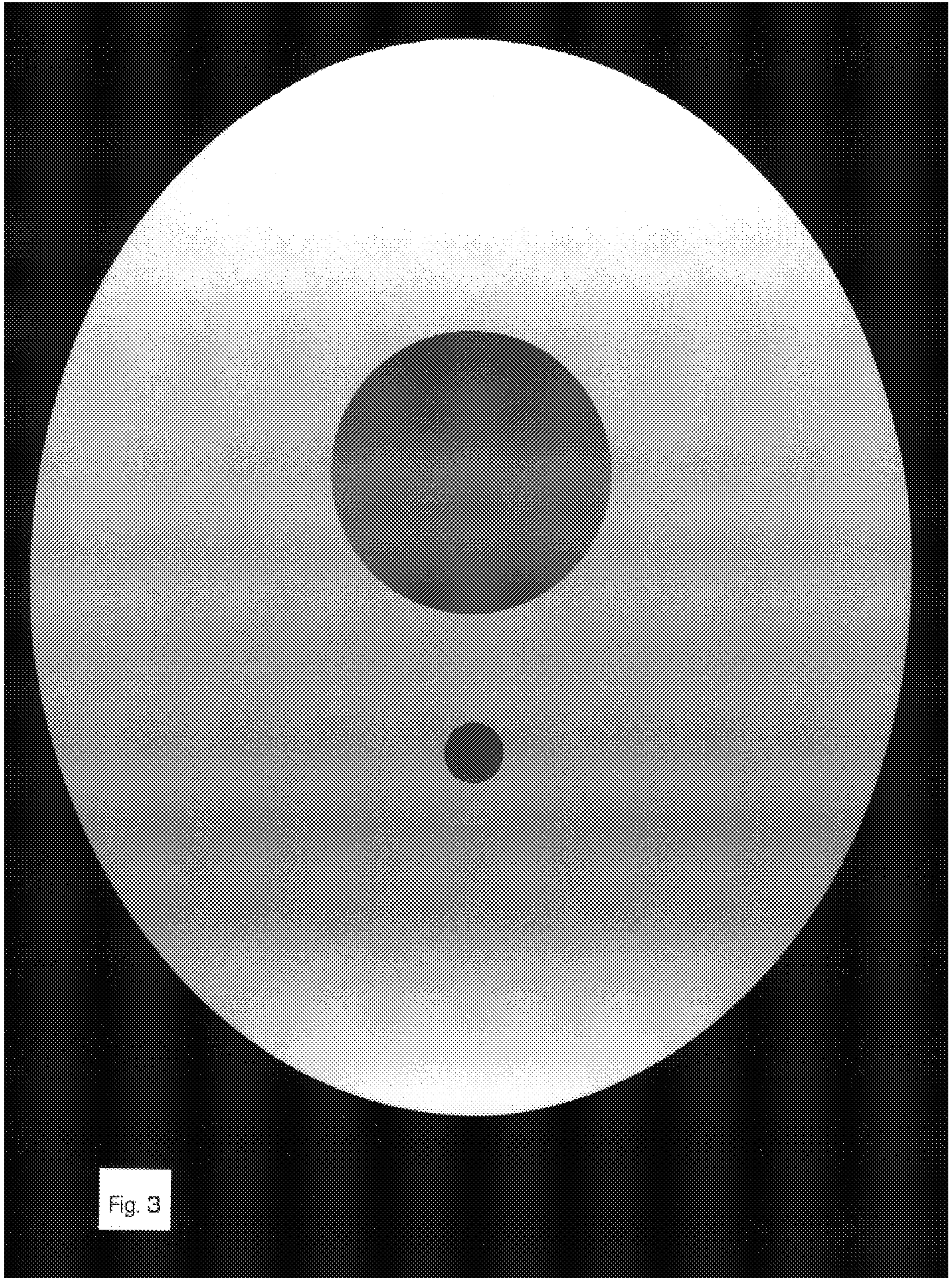
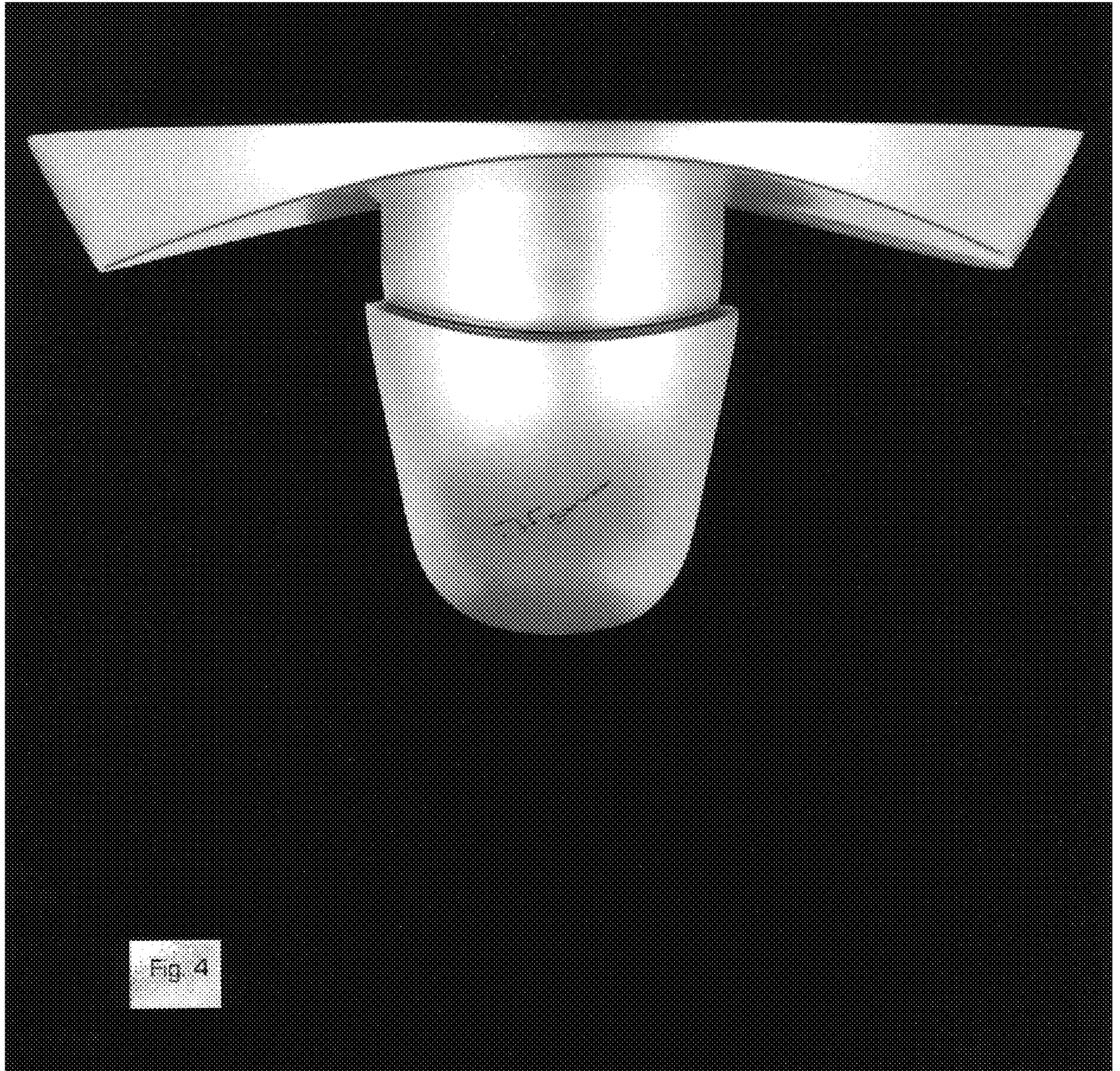


Fig. 3







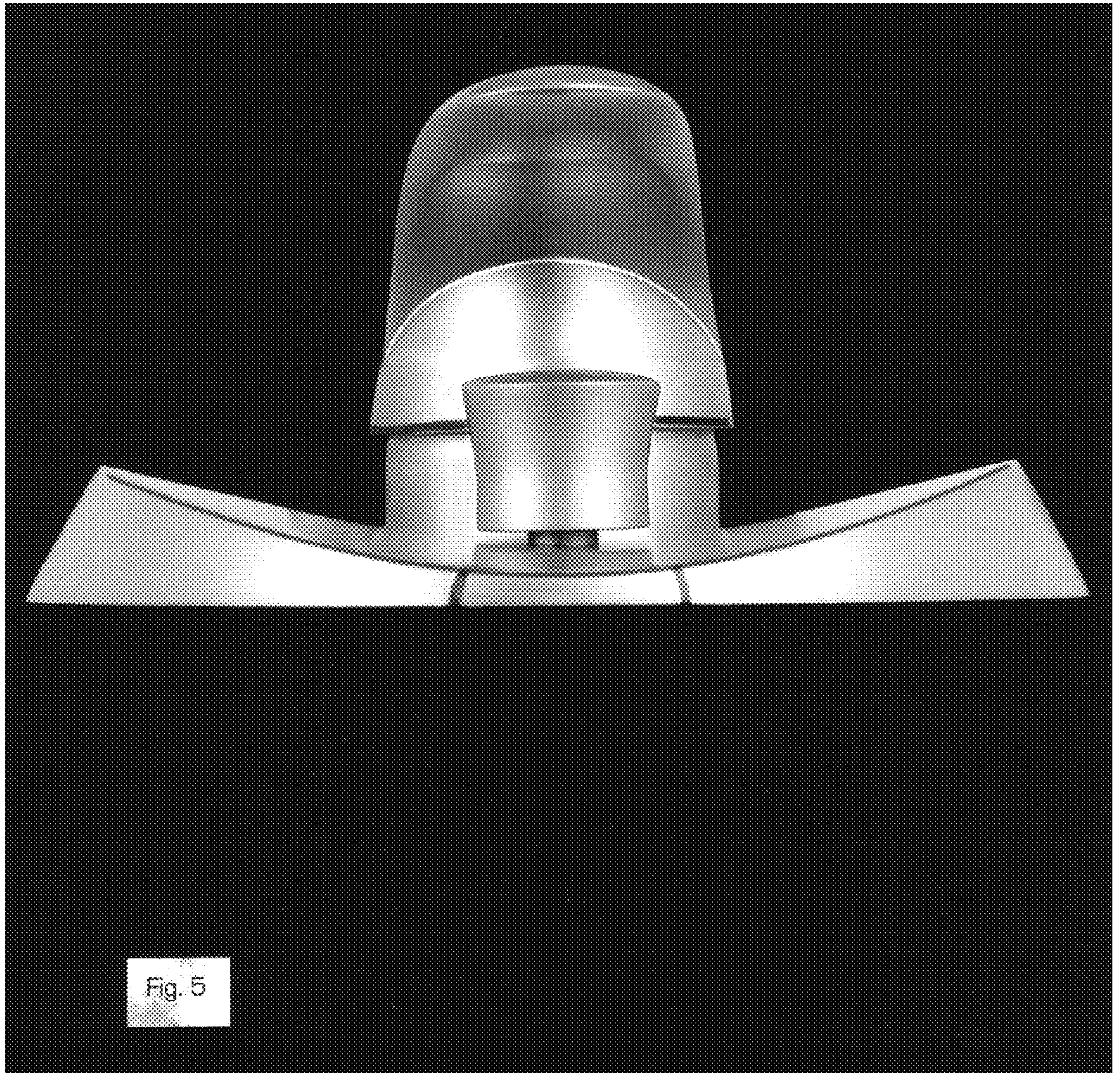


Fig. 5





Fig. 6