



US00D428115S

United States Patent [19]
Pitsch

[11] **Patent Number: Des. 428,115**

[45] **Date of Patent: ** Jul. 11, 2000**

[54] **DUAL HANDLE FAUCET**

[75] Inventor: **Walter Pitsch**, Franklin Park, N.J.

[73] Assignee: **American Standard International Inc.**, Piscataway, N.J.

[**] Term: **14 Years**

[21] Appl. No.: **29/108,816**

[22] Filed: **Aug. 4, 1999**

[51] **LOC (7) Cl.** **23-01**

[52] **U.S. Cl.** **D23/241**

[58] **Field of Search** D23/238-243,
D23/250-257, 303-311; 4/675-678; D8/300-308

[56] **References Cited**

U.S. PATENT DOCUMENTS

D. 290,492	6/1987	Hill et al.	D23/238
D. 290,992	7/1987	Hill et al.	D23/255
D. 291,117	7/1987	Ryan	D23/255
D. 293,601	1/1988	Hill et al.	D23/255
D. 323,877	2/1992	Haug et al.	D23/238
D. 331,796	12/1992	Spangler	D23/241

D. 352,766	11/1994	Hill et al.	D23/213
D. 360,931	8/1995	Mark et al.	D23/238
D. 364,211	11/1995	Hill et al.	D23/238
D. 367,697	3/1996	Haug et al.	D23/238
D. 368,764	4/1996	Hill et al.	D23/238
D. 388,156	12/1997	Hill et al.	D23/238

Primary Examiner—Eric Watterson

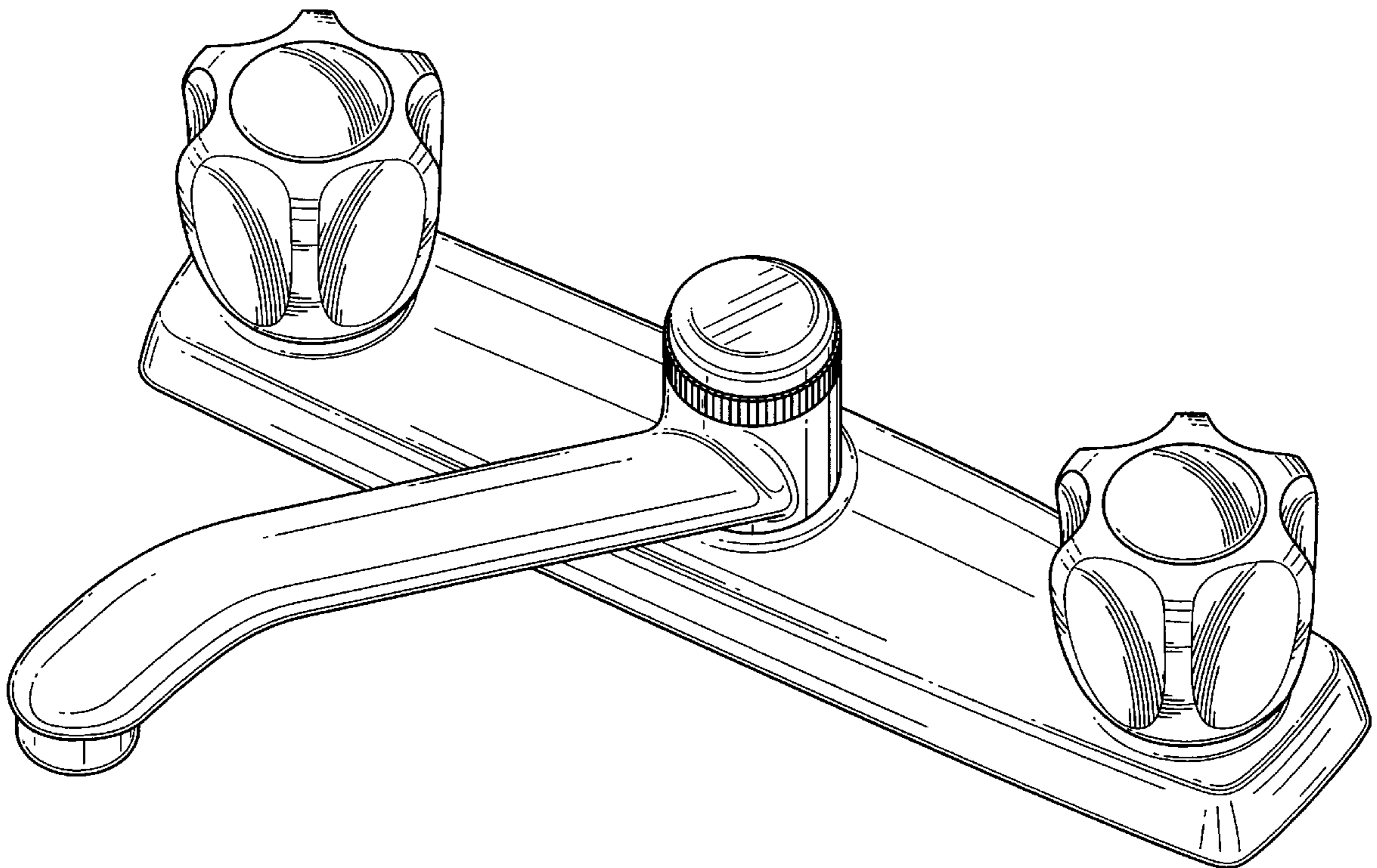
[57] **CLAIM**

The ornamental design for a dual handle faucet, as shown and described.

DESCRIPTION

FIG. 1 is a perspective view of a dual handle faucet showing my new design;
FIG. 2 is a front elevational view thereof;
FIG. 3 is a rear elevational view thereof;
FIG. 4 is a right side elevational view thereof, the left side view being a mirror image of the right side thereof;
FIG. 5 is a top plan view thereof; and,
FIG. 6 is a bottom plan view thereof.
The broken line showing is for illustrative purposes only and forms no part of the claimed design.

1 Claim, 6 Drawing Sheets



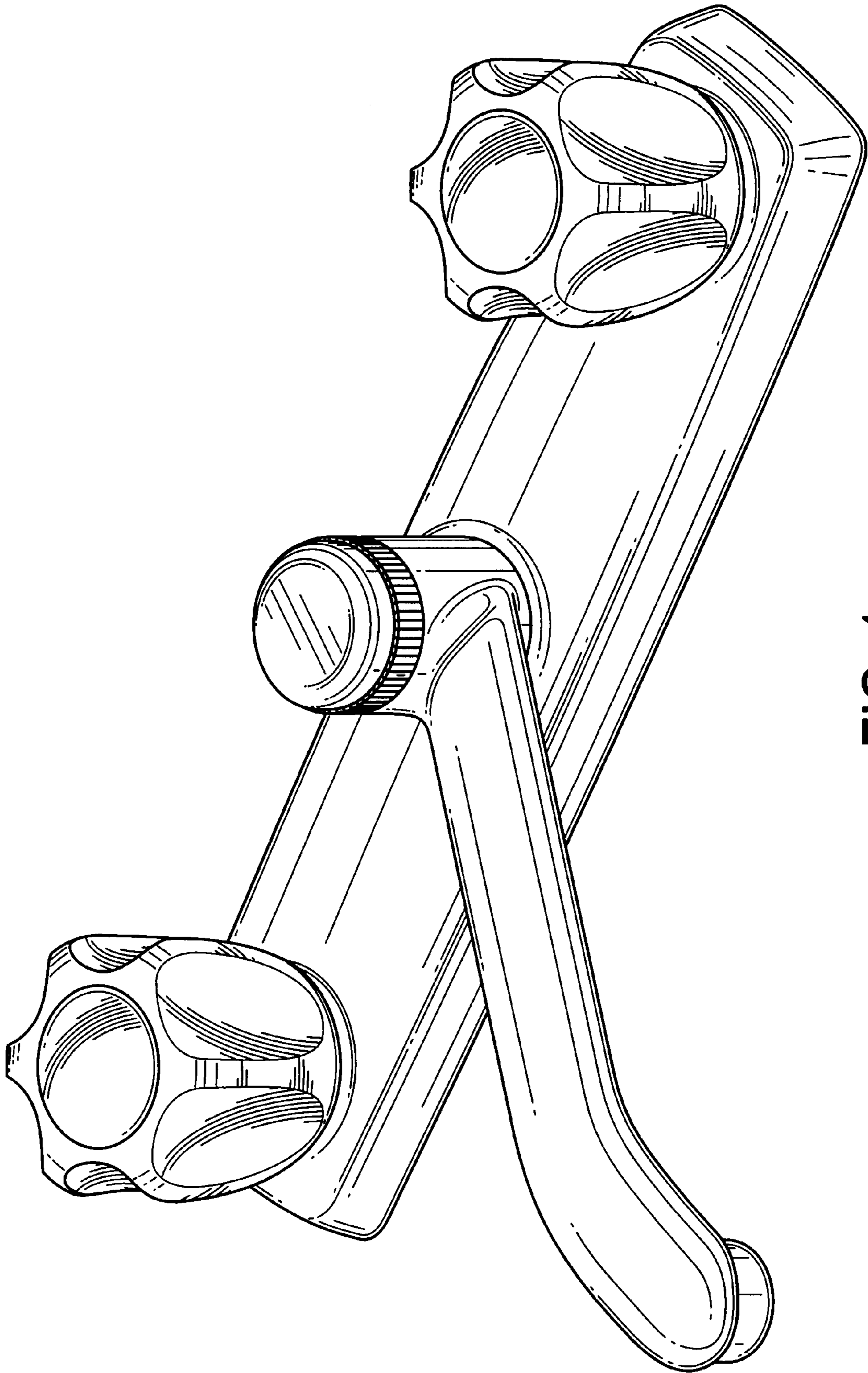


FIG. 1

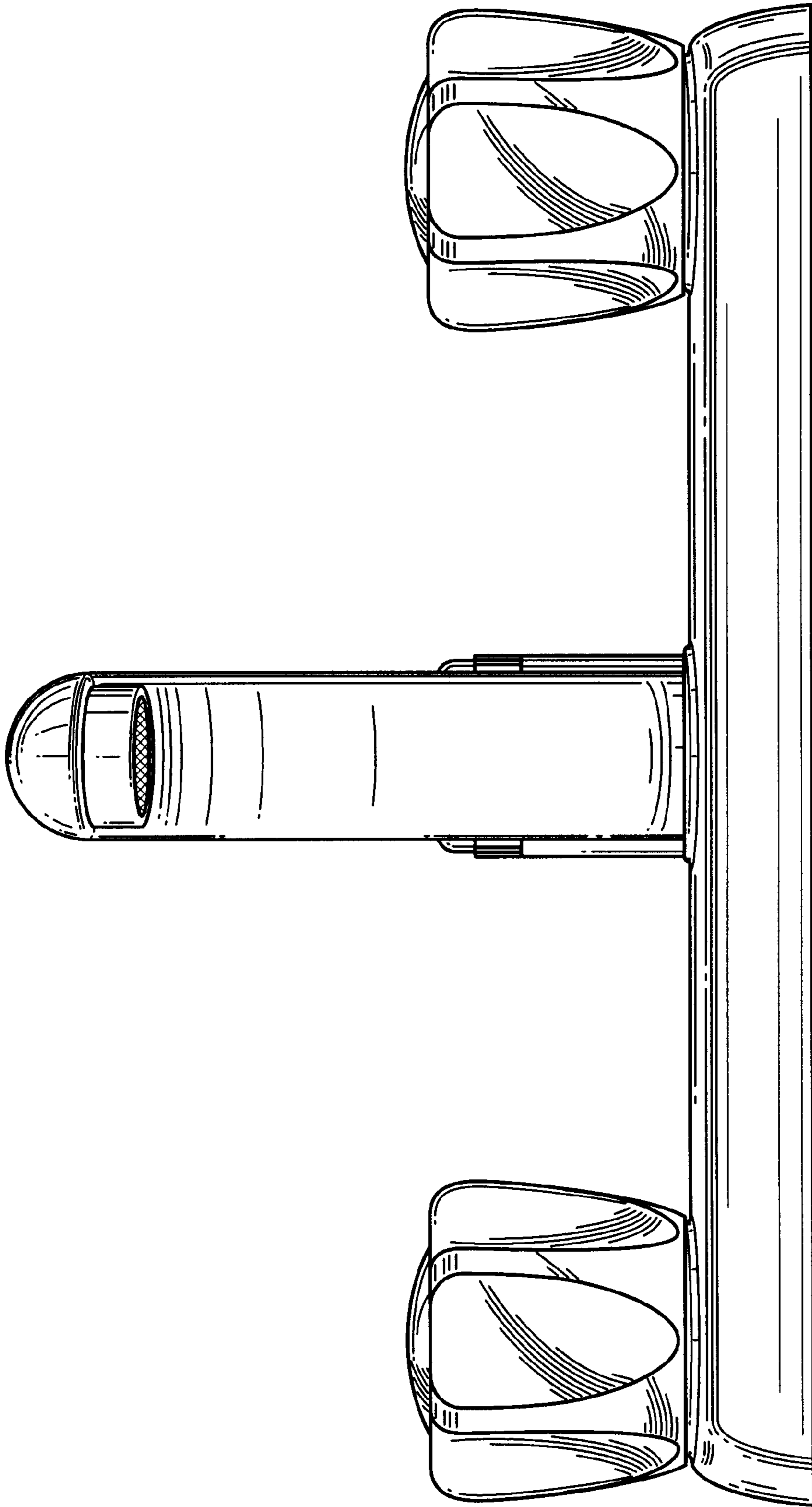


FIG. 2

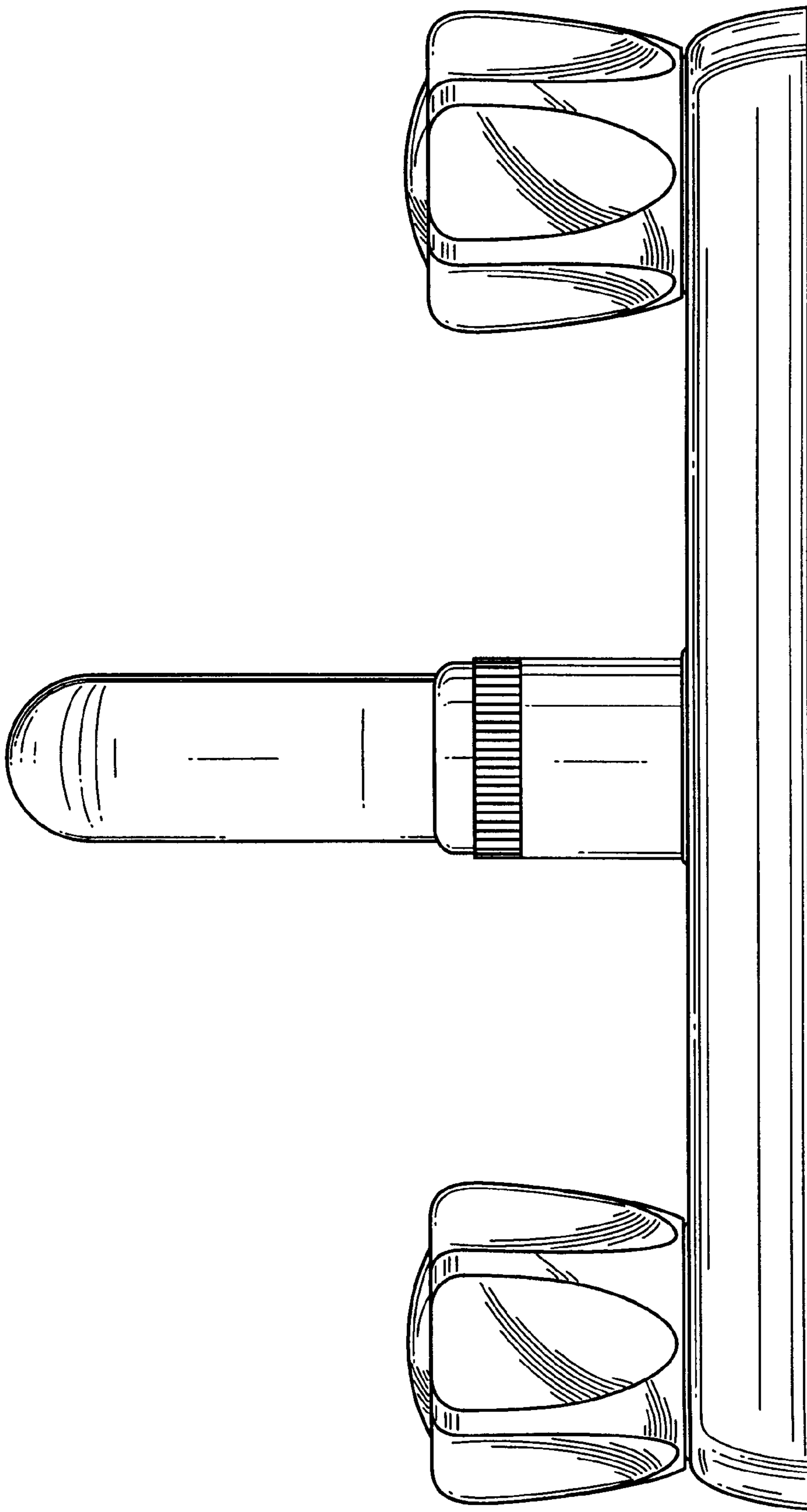


FIG. 3

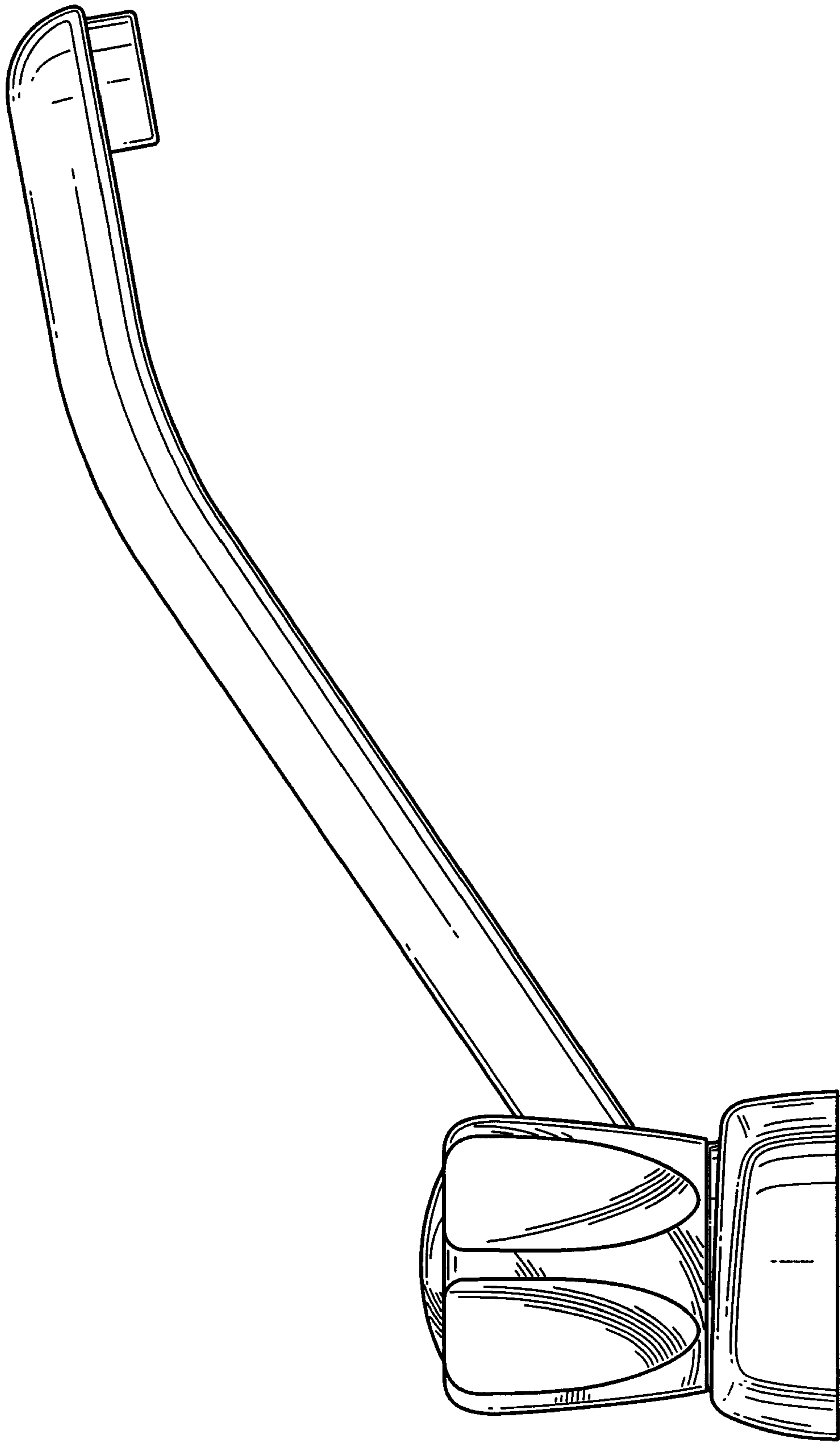


FIG. 4

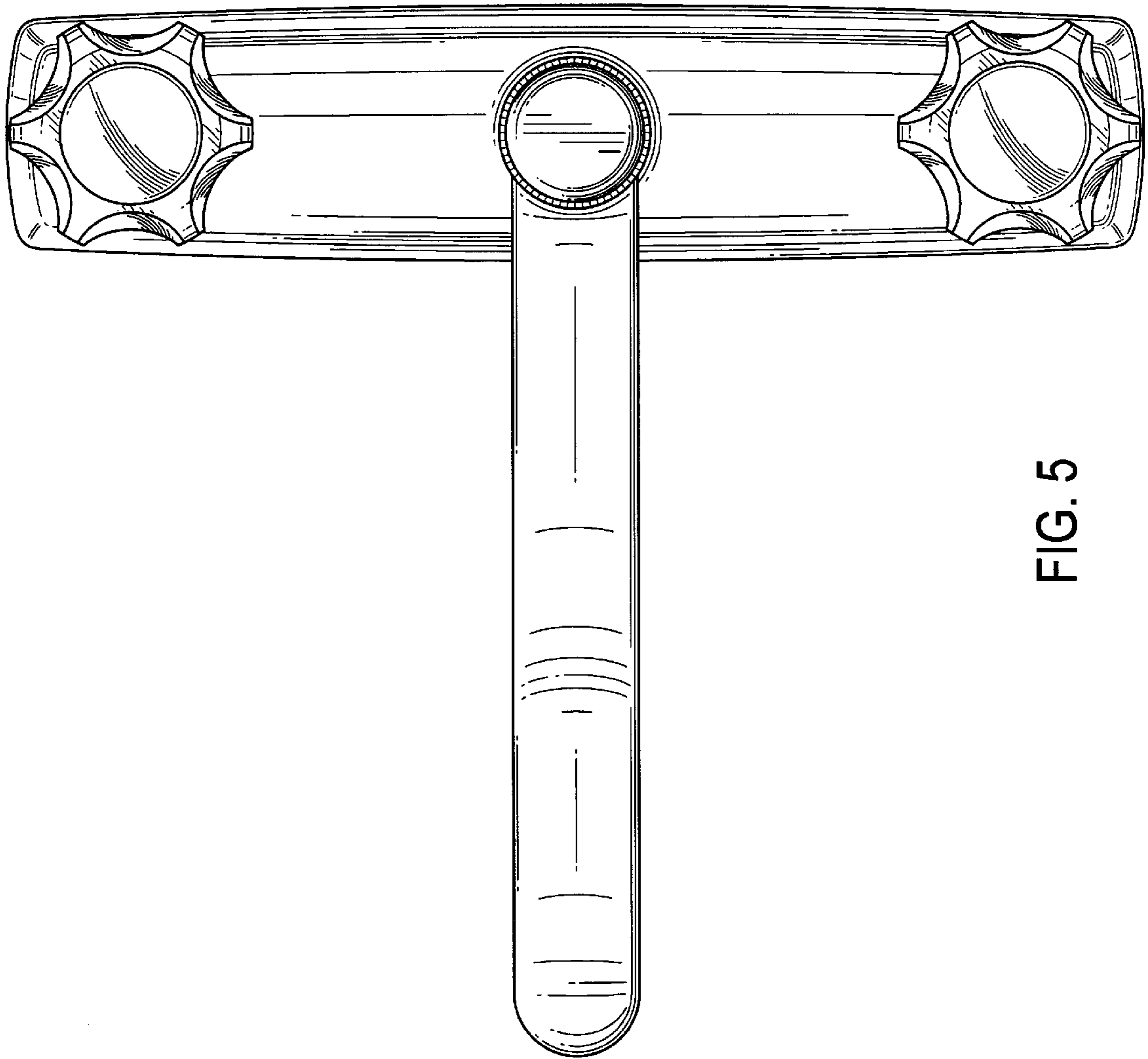


FIG. 5

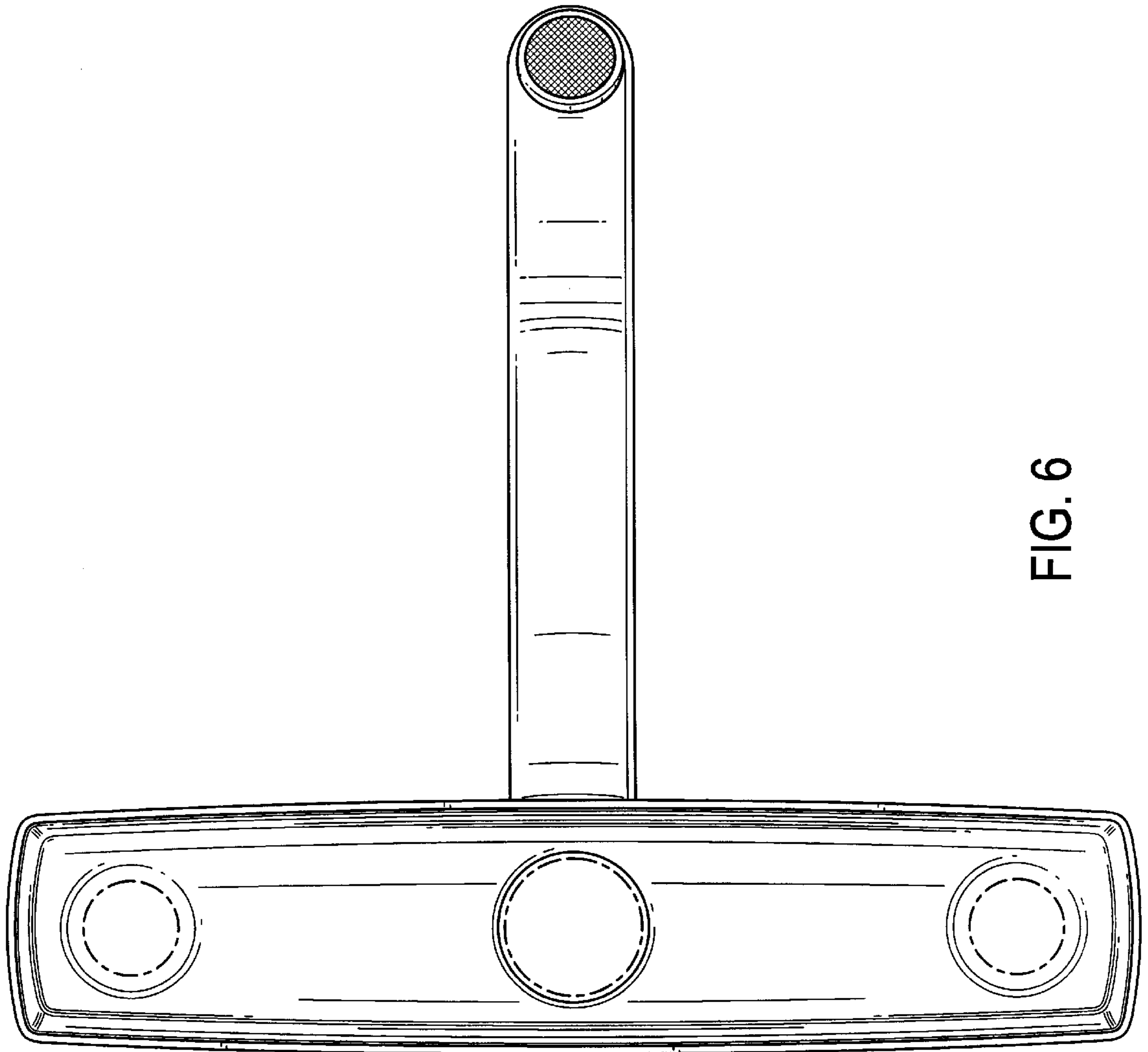


FIG. 6