



US00D428113S

United States Patent [19]
Russo

[11] **Patent Number: Des. 428,113**

[45] **Date of Patent: ** Jul. 11, 2000**

[54] **VALVE**

[76] **Inventor: John I. Russo, 117 Brentwood Dr., North Smithfield, R.I. 02896**

[**] **Term: 14 Years**

[21] **Appl. No.: 29/106,999**

[22] **Filed: Jun. 24, 1999**

[51] **LOC (7) Cl. 23-01**

[52] **U.S. Cl. D23/233**

[58] **Field of Search D23/233-237, D23/244; 251/215, 216, 218**

[56] **References Cited**

U.S. PATENT DOCUMENTS

D. 274,083	5/1984	Burruss	D23/233
D. 274,746	7/1984	Burruss	D23/233
1,483,585	2/1924	Kincheloe	D23/233
4,998,562	3/1991	Foltz	251/215

Primary Examiner—Robin V. Taylor
Attorney, Agent, or Firm—Salter & Michaelson

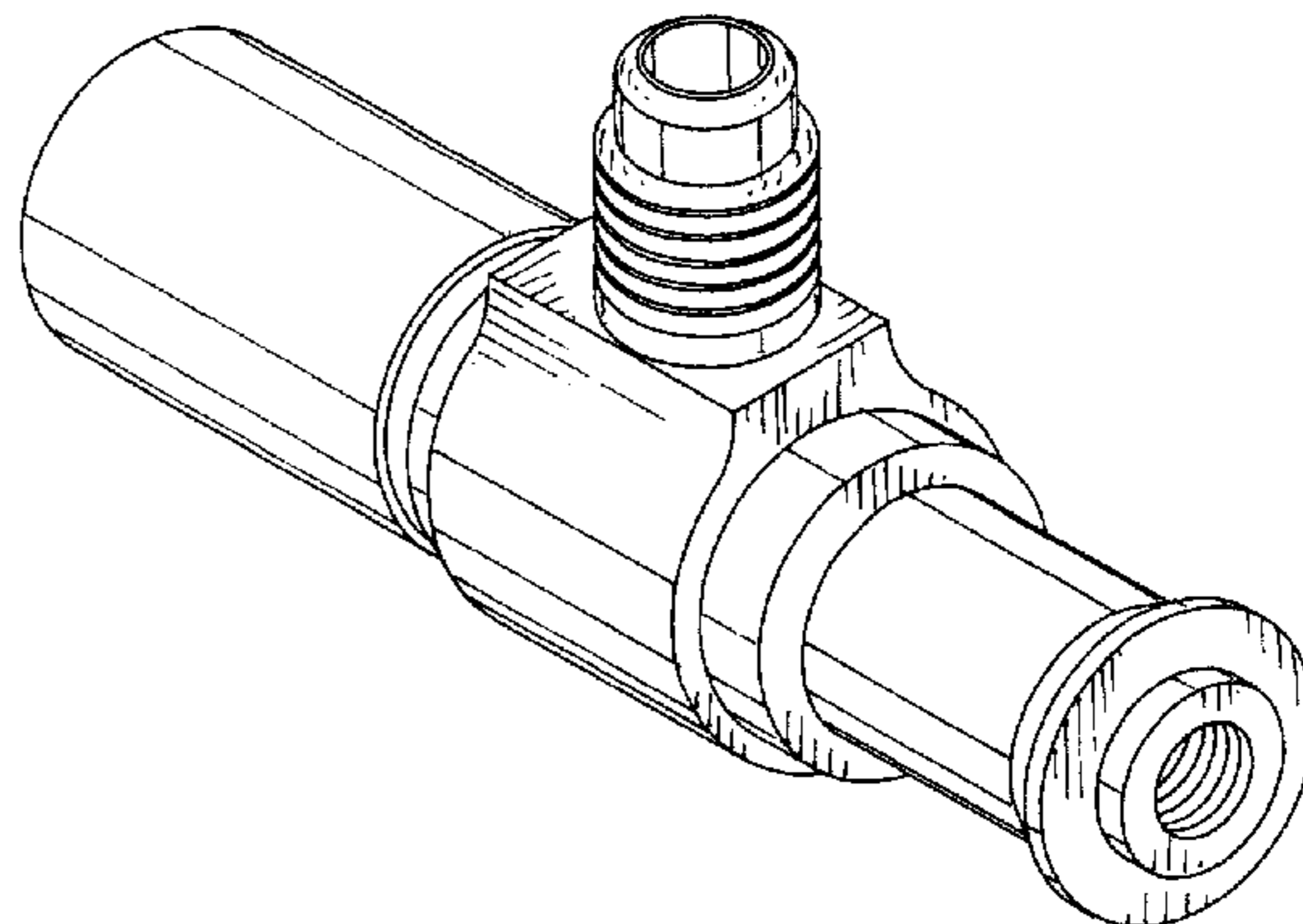
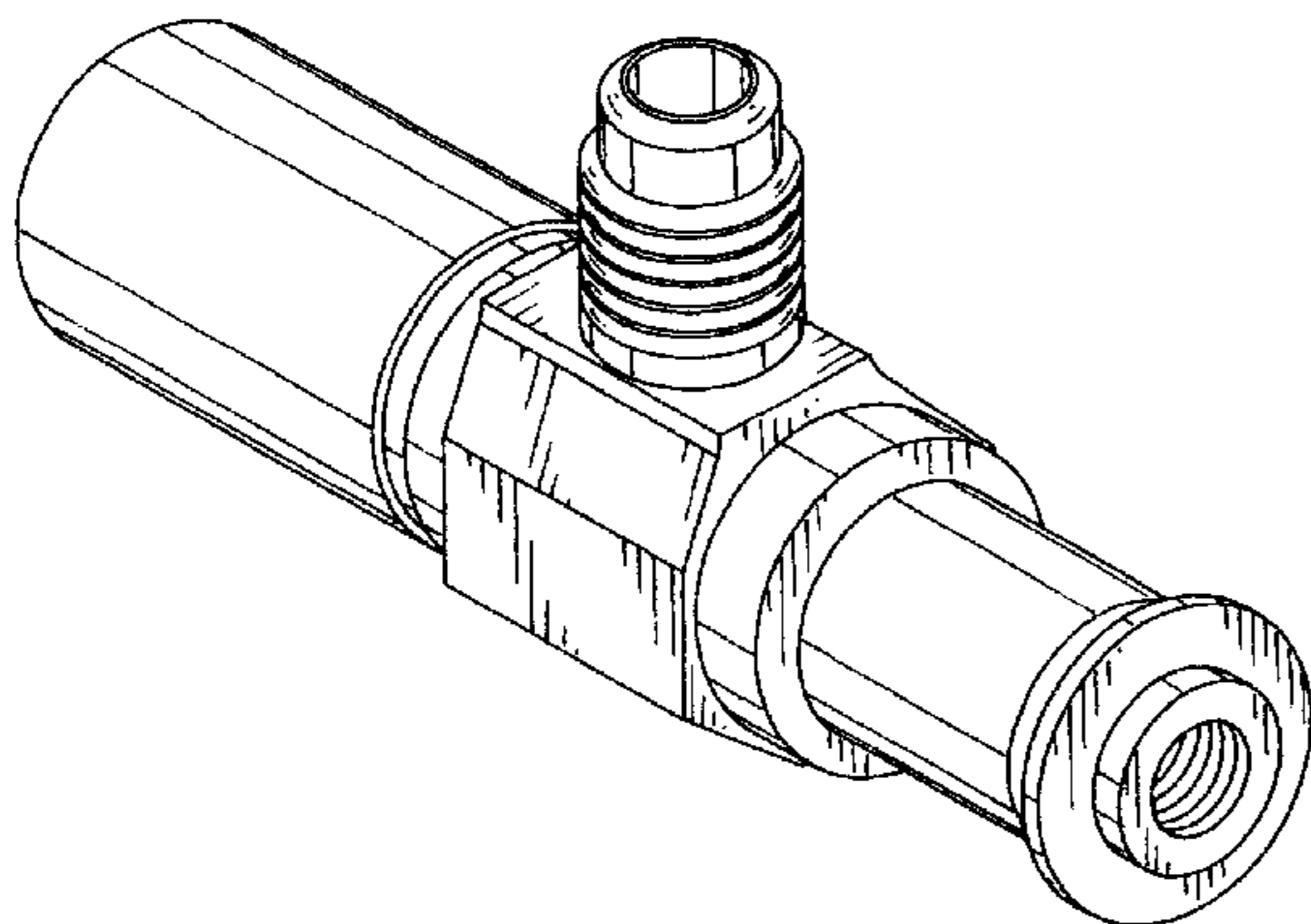
[57] **CLAIM**

The ornamental design for a valve, as shown.

DESCRIPTION

FIG. 1 is a perspective view of a valve showing my new design;
 FIG. 2 is a front elevational view thereof;
 FIG. 3 is a rear elevational view thereof;
 FIG. 4 is a top plan view thereof;
 FIG. 5 is a bottom plan view thereof;
 FIG. 6 is a left end view thereof;
 FIG. 7 is a right end view thereof;
 FIG. 8 is a perspective view of a modified form of my design;
 FIG. 9 is a front elevational view thereof;
 FIG. 10 is a rear elevational view thereof;
 FIG. 11 is a top plan view thereof;
 FIG. 12 is a bottom plan view thereof;
 FIG. 13 is a left end view thereof; and,
 FIG. 14 is a right end view thereof.

1 Claim, 4 Drawing Sheets



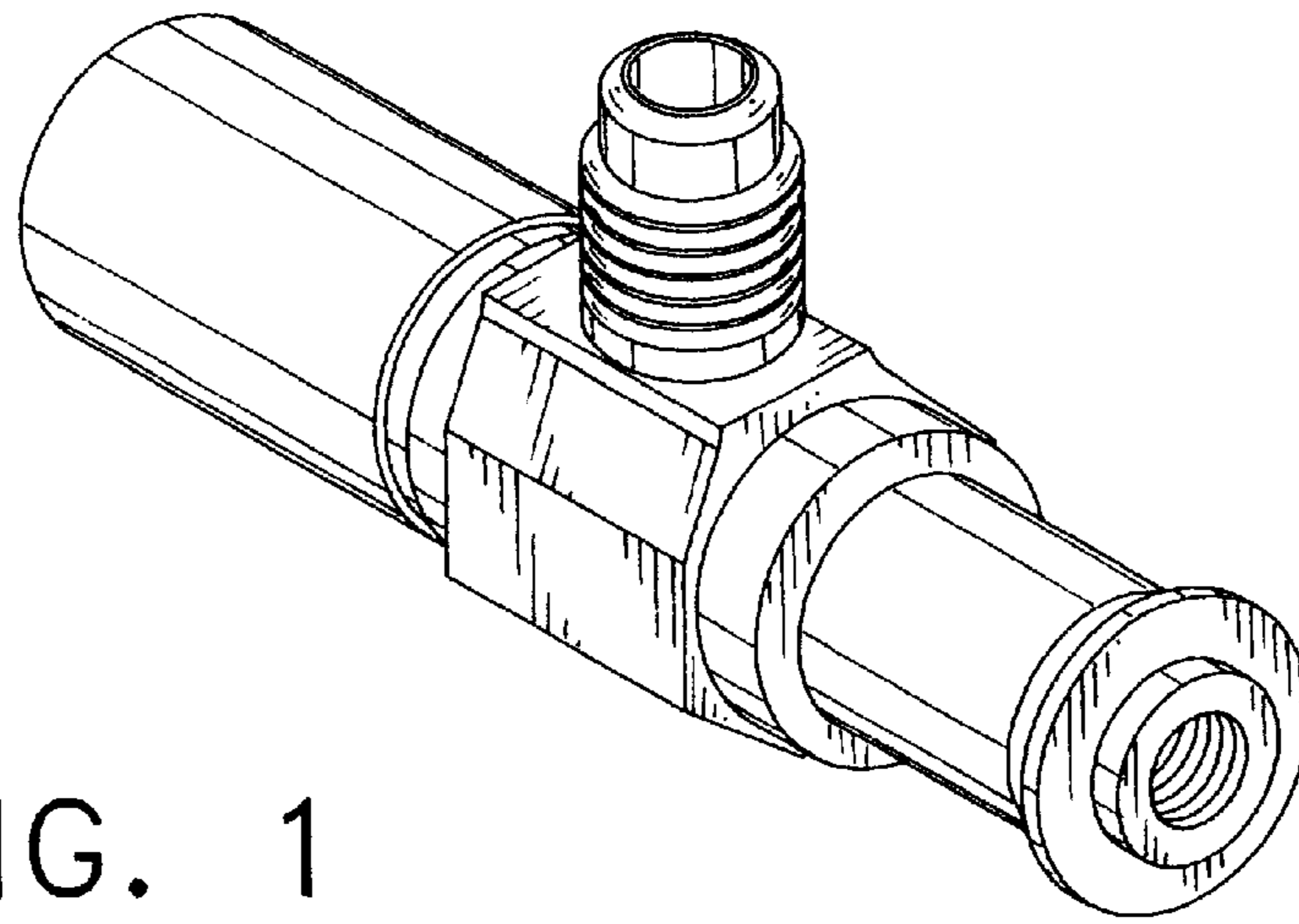


FIG. 1

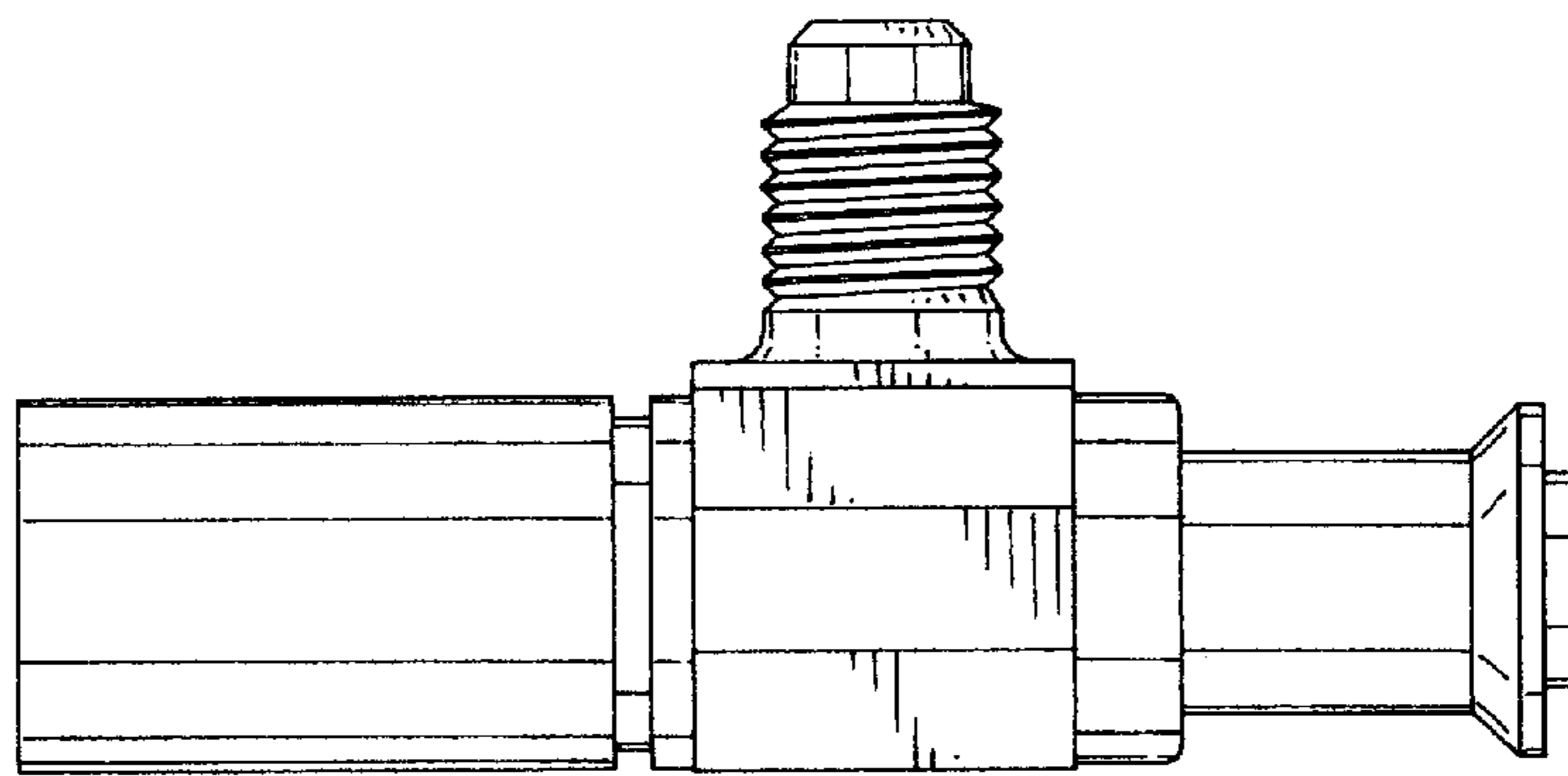


FIG. 2

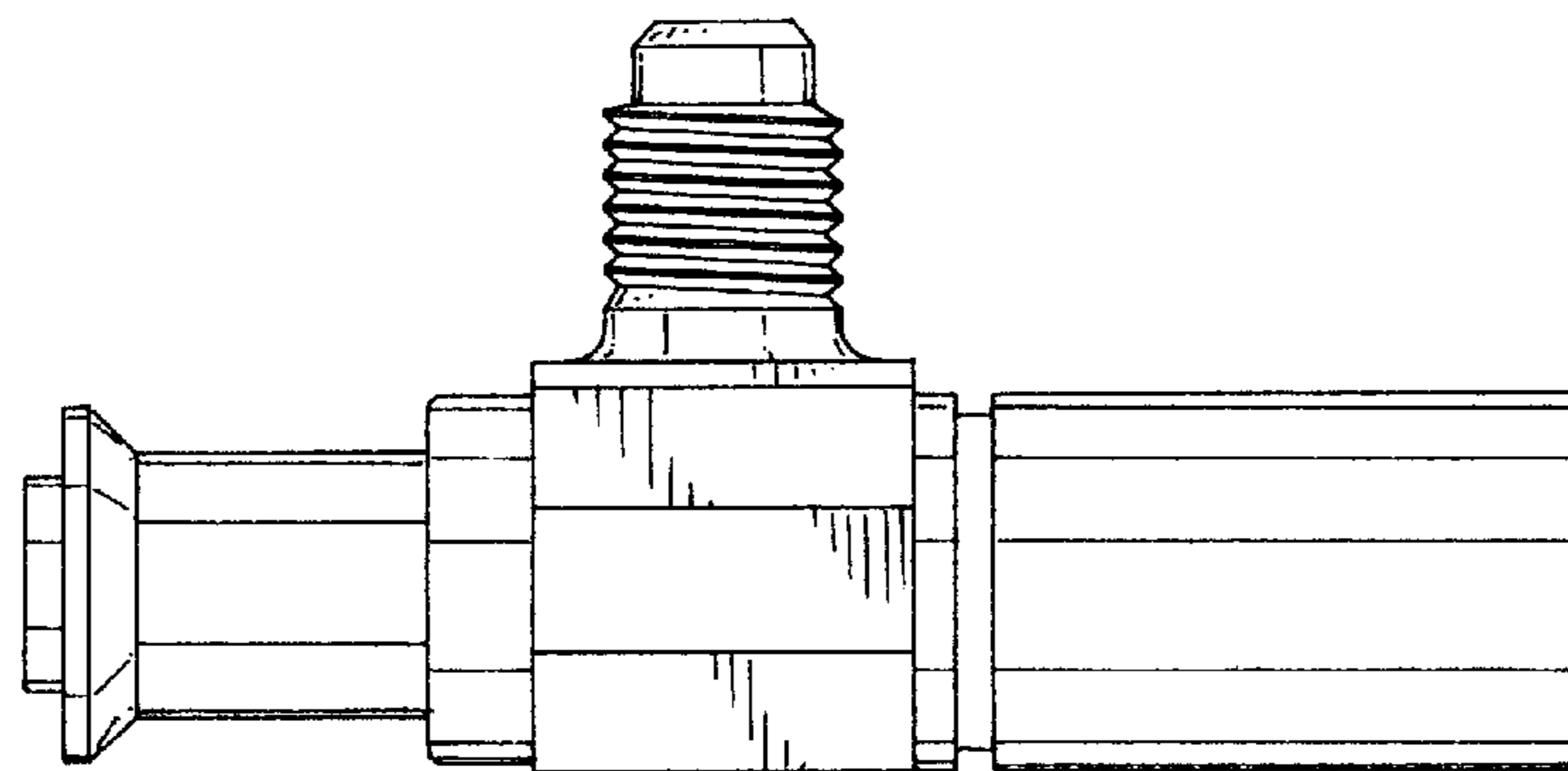


FIG. 3

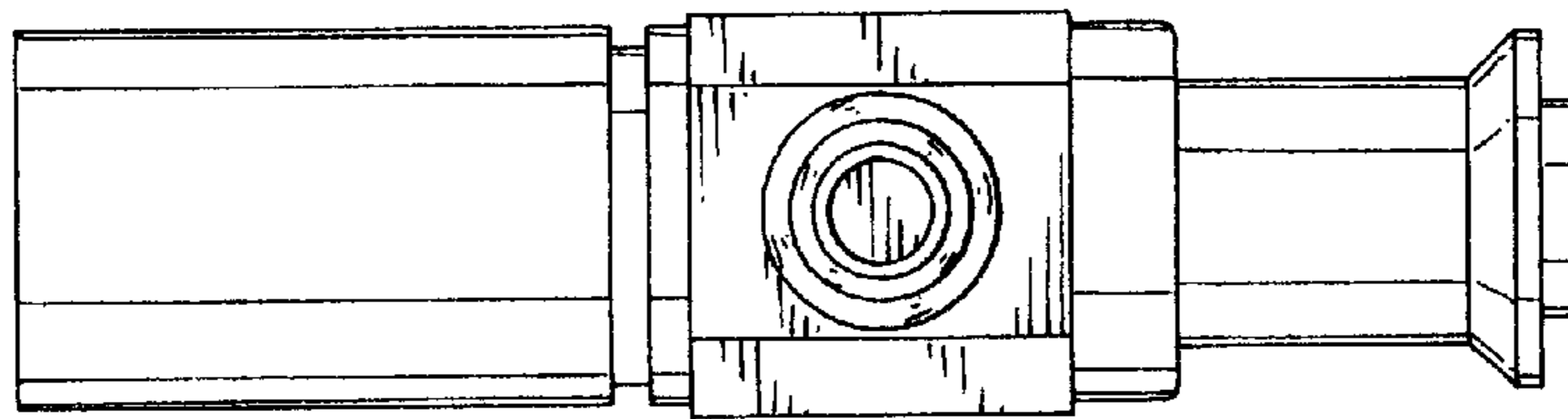


FIG. 4

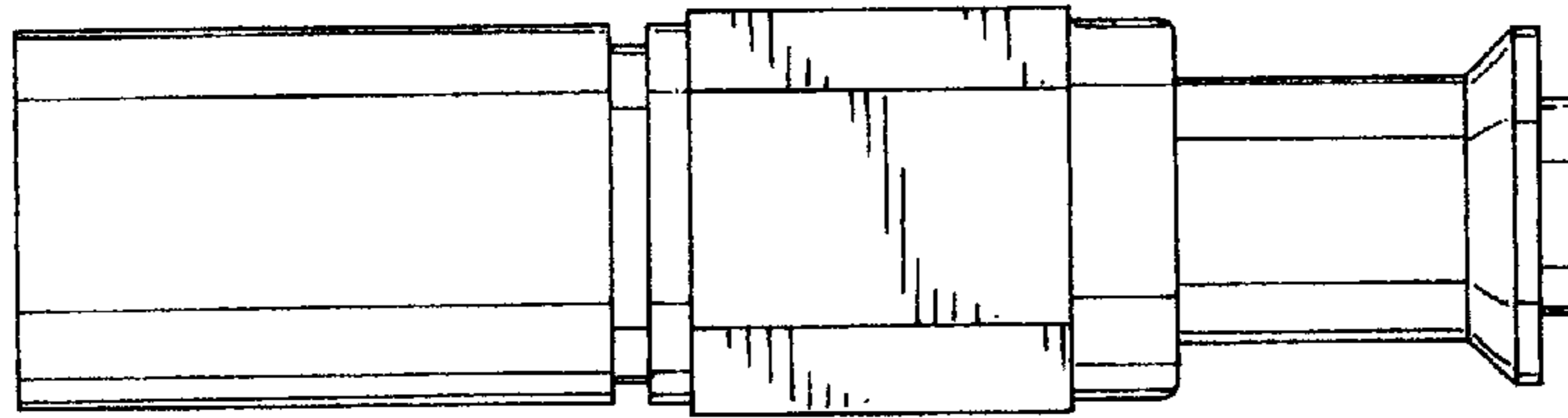


FIG. 5

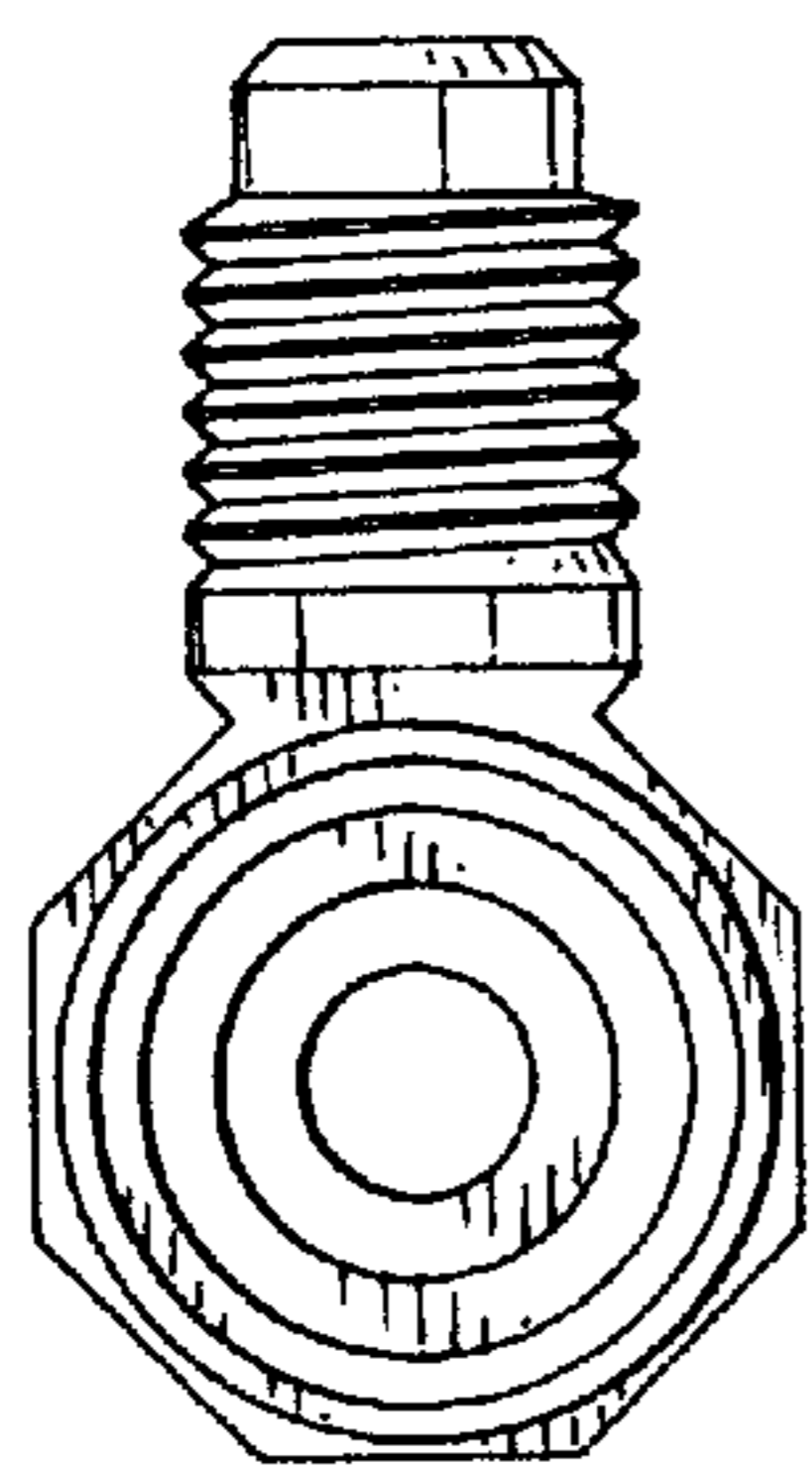


FIG. 6

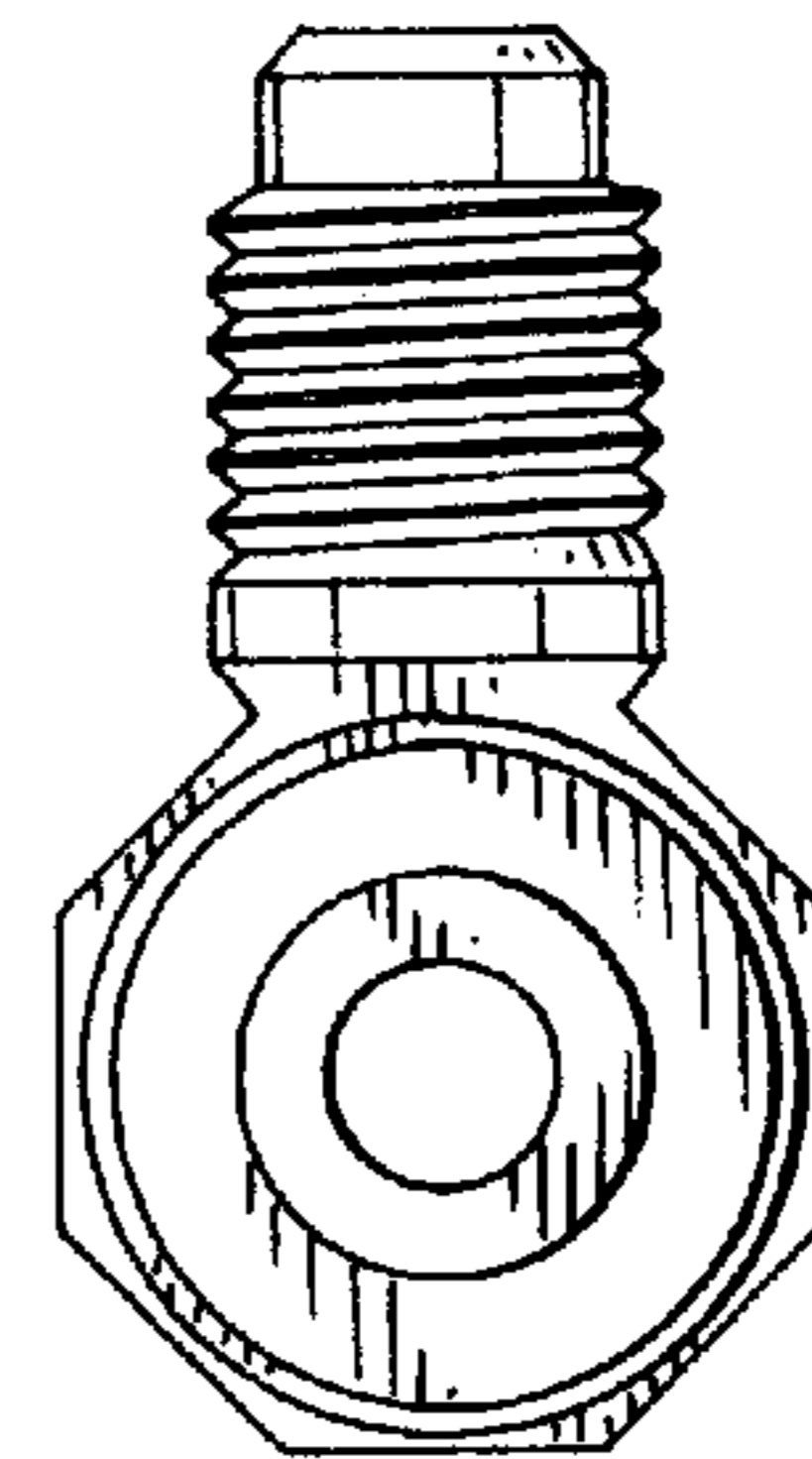


FIG. 7

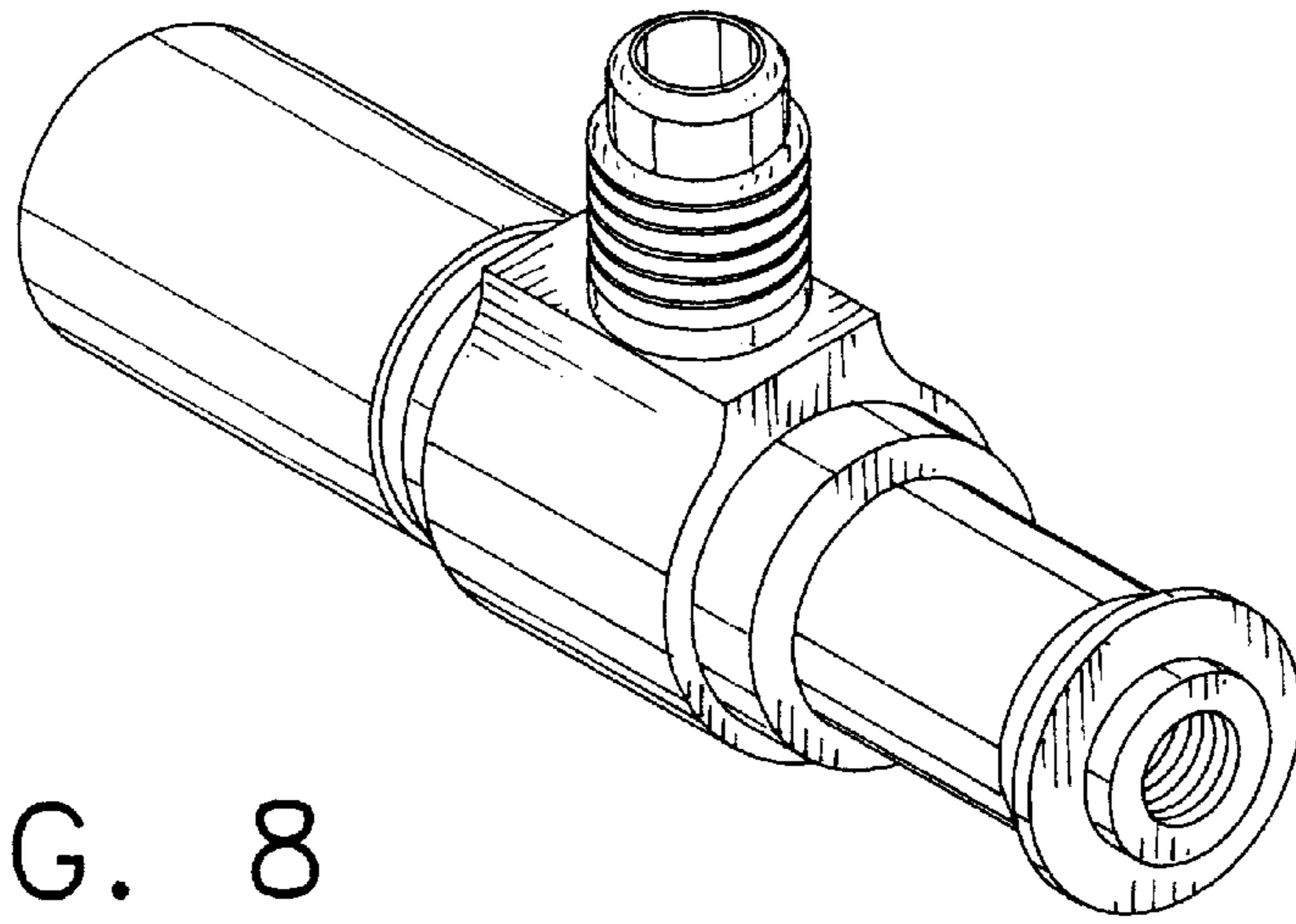


FIG. 8

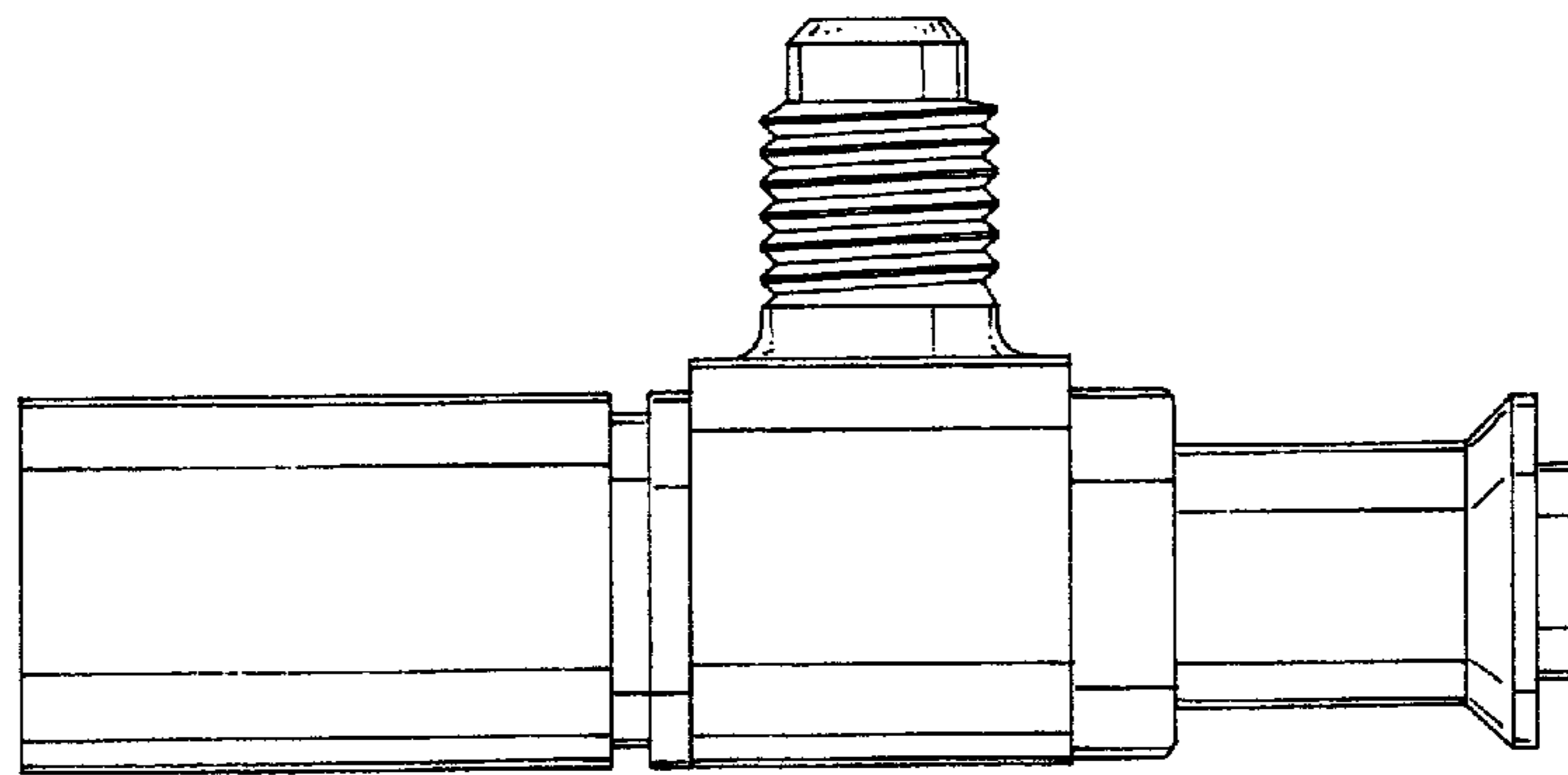


FIG. 9

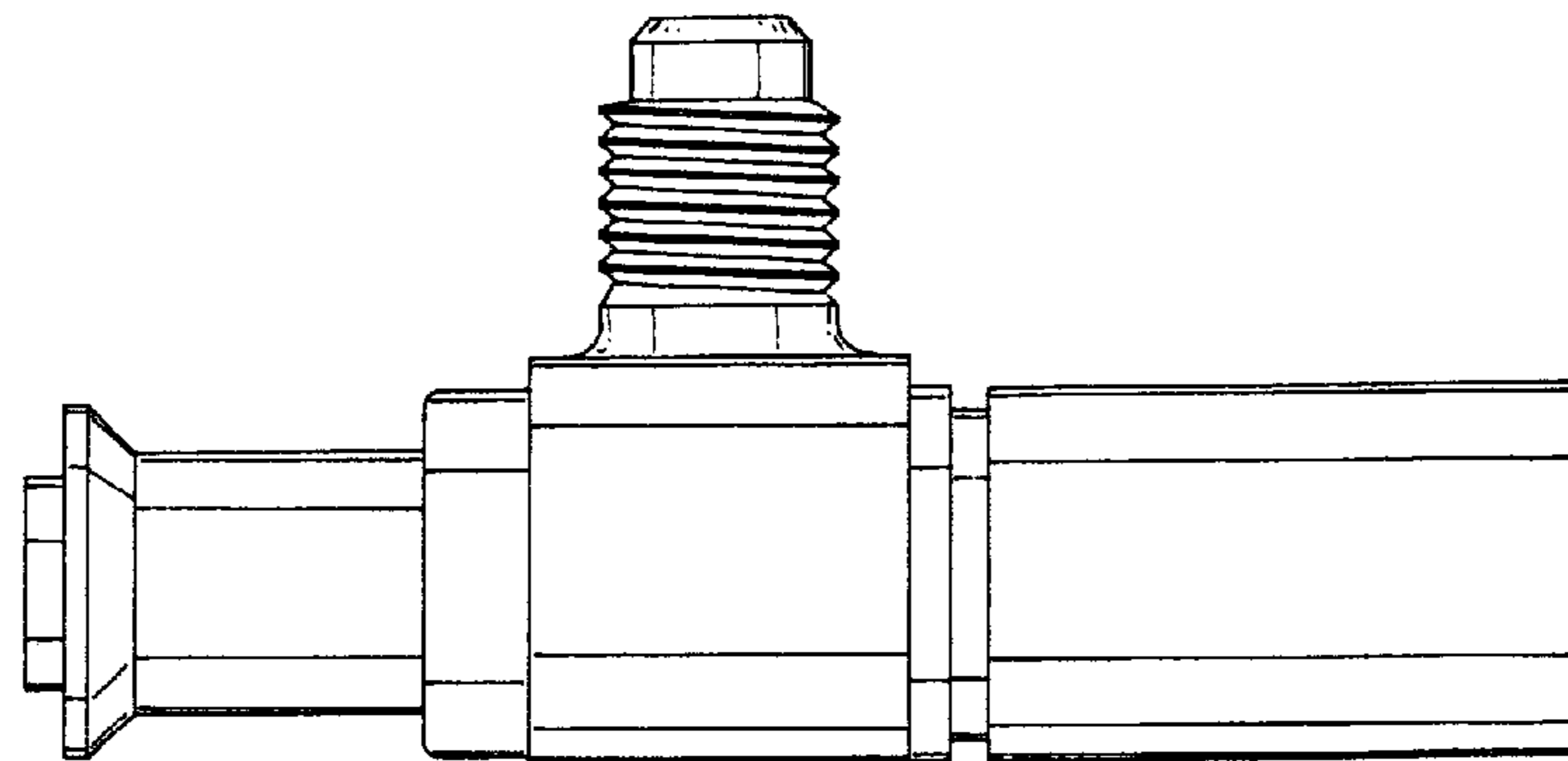


FIG. 10

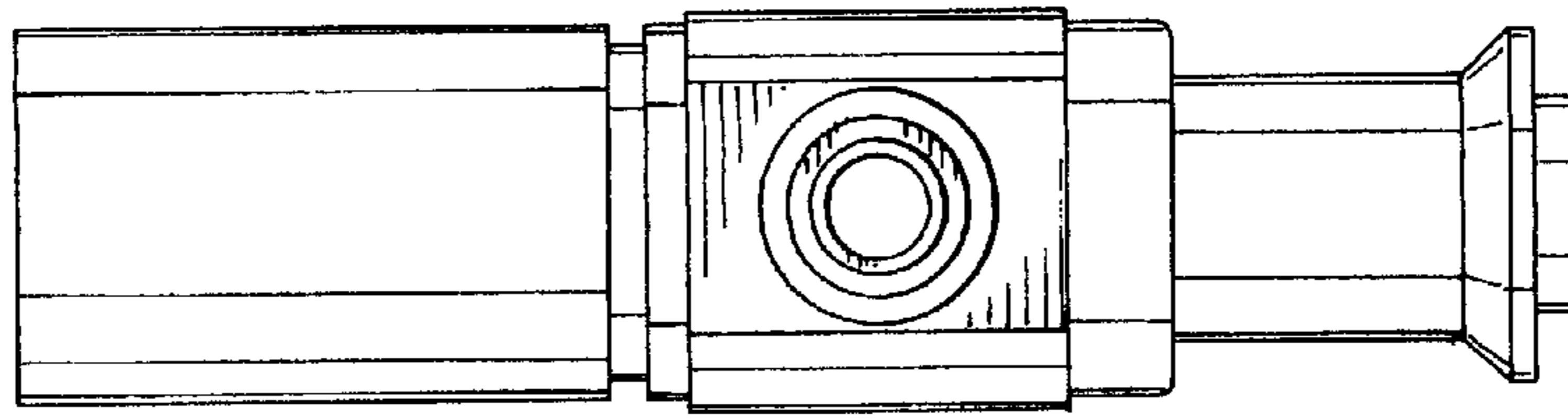


FIG. 11

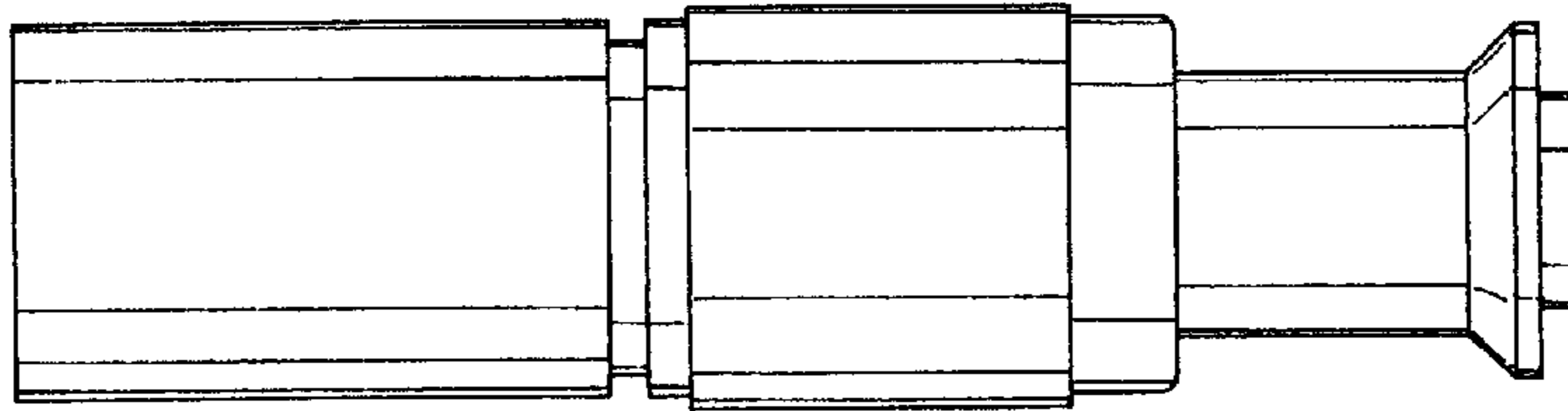


FIG. 12

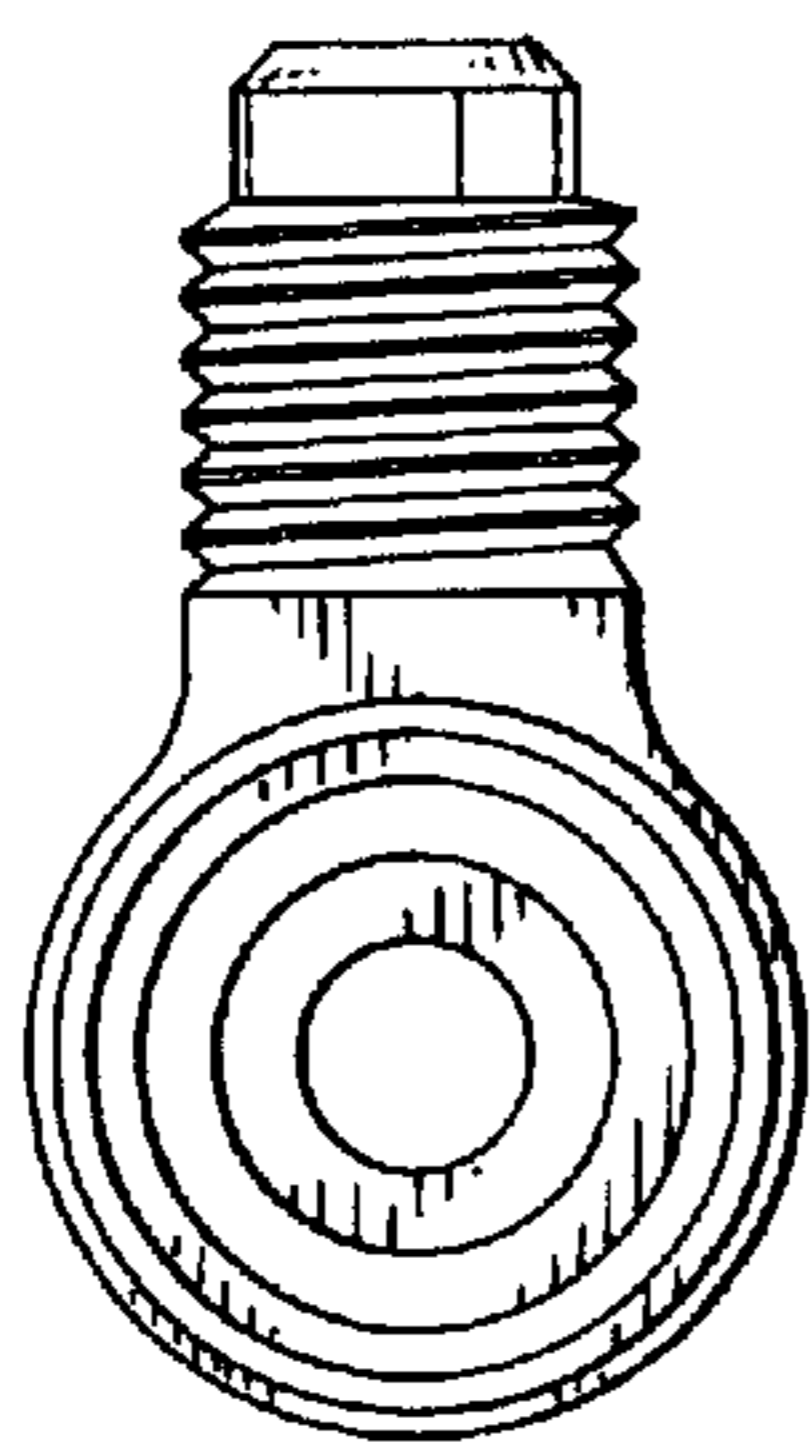


FIG. 13

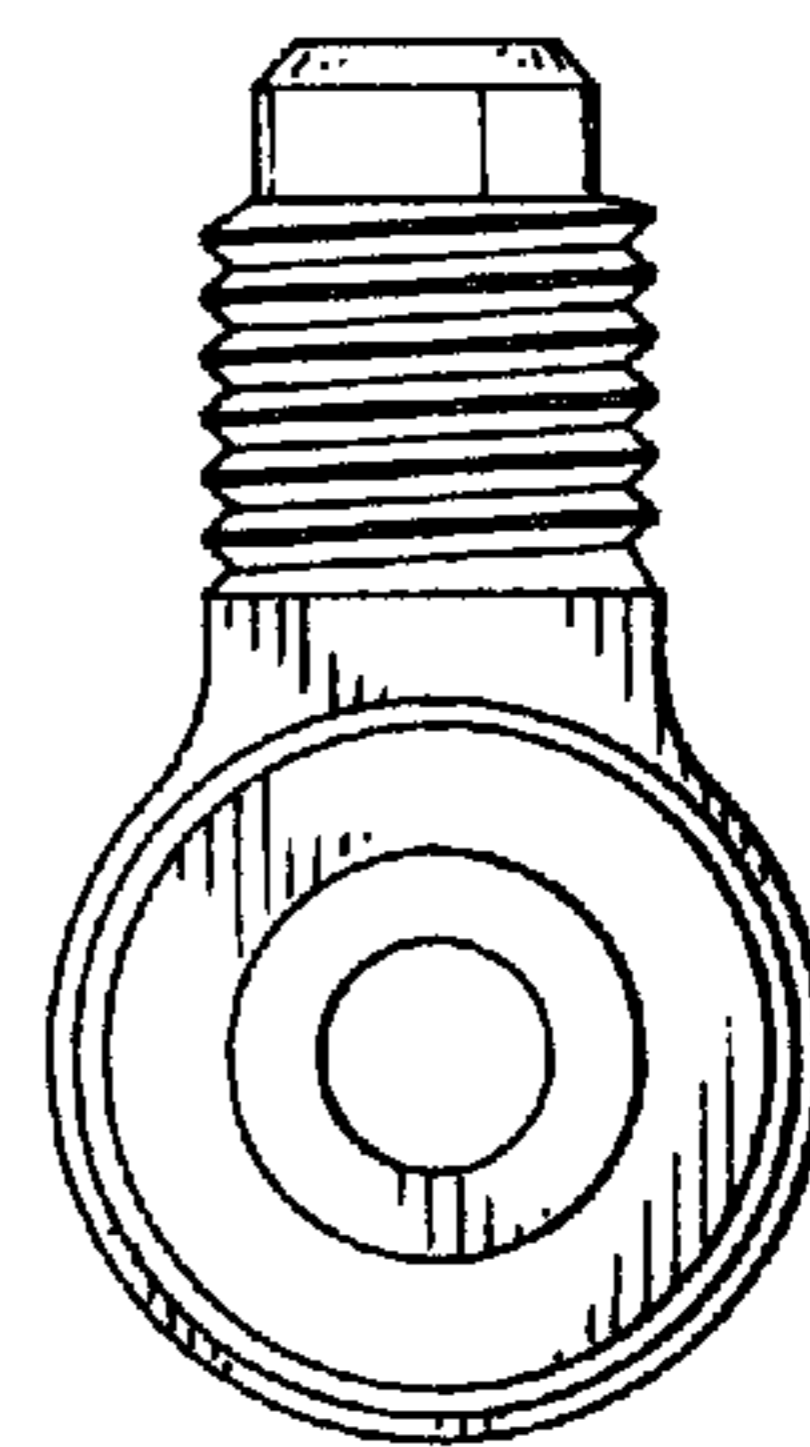


FIG. 14