



US00D428112S

United States Patent [19]

[11] Patent Number: Des. 428,112

Sato et al.

[45] Date of Patent: ** *Jul. 11, 2000

[54] ELECTROMAGNETIC VALVE
[75] Inventors: Hideharu Sato; Takumi Matsumoto,
both of Yawara-mura, Japan

4,889,164 12/1989 Hozumi et al. 137/625.64
5,437,306 8/1995 Asou et al. 137/625.64
5,699,830 12/1997 Hayasi et al. 137/884
5,699,834 12/1997 Hayashi et al. 137/884

[73] Assignee: SMC Corporation, Tokyo, Japan

OTHER PUBLICATIONS

[*] Notice: This patent is subject to a terminal disclaimer.

U.S. application No. 29/063,095, filed Nov. 26, 1996.
U.S. application No. 29/094,746, filed Oct. 09, 1998.
U.S. application No. 29/106,990, filed Jun. 23, 1999.
U.S. application No. 29/106,794, filed Jun. 23, 1999.

[**] Term: 14 Years

Primary Examiner—Robin V. Taylor

[21] Appl. No.: 29/106,794

[57] CLAIM

[22] Filed: Jun. 23, 1999

The ornamental design for electromagnetic valve, as shown and described.

Related U.S. Application Data

DESCRIPTION

[62] Division of application No. 29/063,097, Nov. 26, 1996, Pat. No. Des. 415,558.

FIG. 1 is a top, front and left side perspective view of electromagnetic valve embodying our new design;
FIG. 2 is a bottom, rear and left side perspective view thereof;
FIG. 3 is a front elevational view thereof;
FIG. 4 is a rear elevational view thereof;
FIG. 5 is a right side elevational view thereof;
FIG. 6 is a left side elevational view thereof;
FIG. 7 is a top plan view thereof; and,
FIG. 8 is a bottom plan view thereof.

[30] Foreign Application Priority Data

May 28, 1996 [JP] Japan 8-15452

[51] LOC (7) Cl. 23-01

[52] U.S. Cl. D23/233

[58] Field of Search D23/233-237,
D23/244-248; 137/884, 625.64, 596.13,
596.16

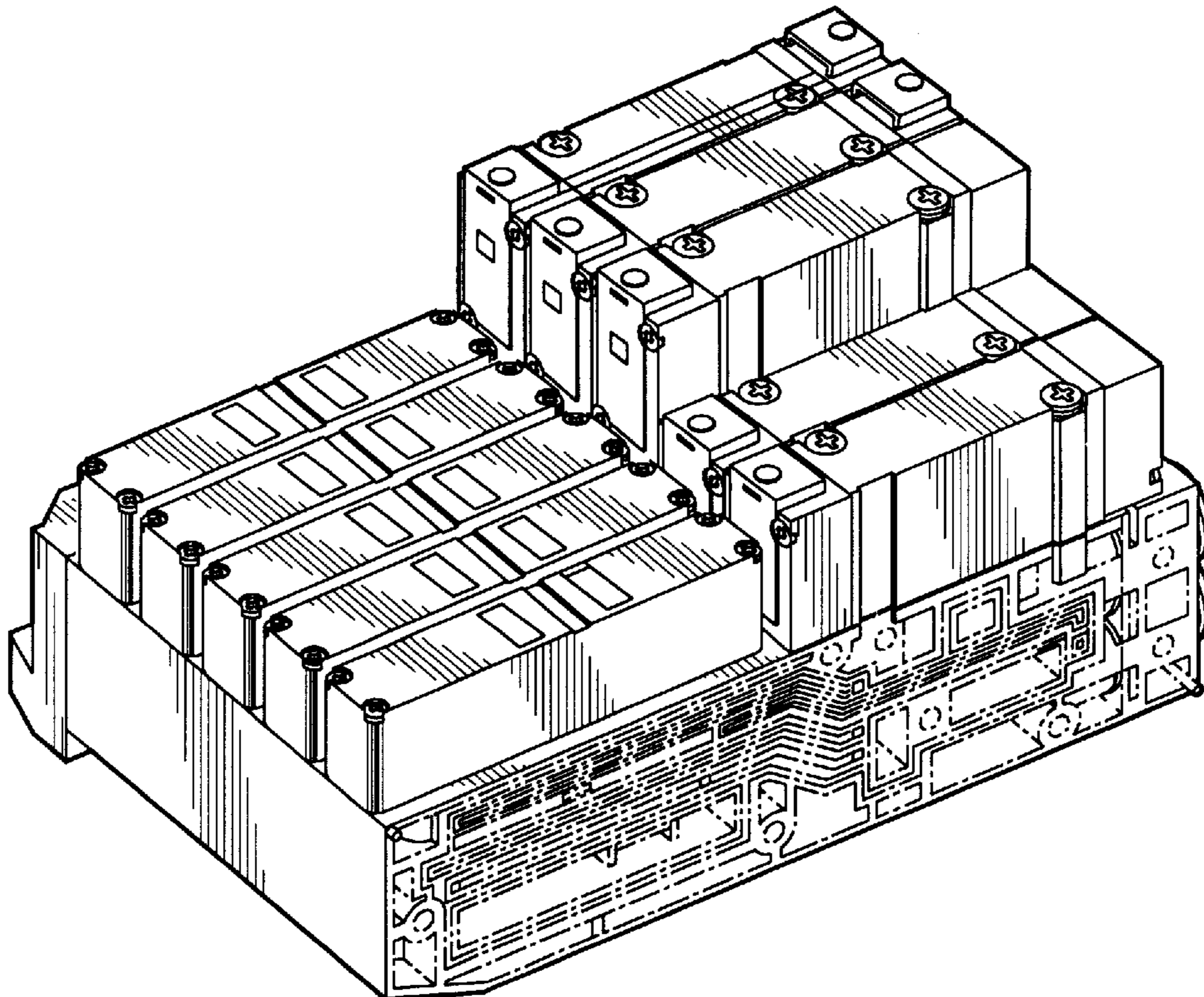
The features shown in phantom lines in the FIGURES are shown for illustrative purposes only and form no part of the claimed design.

[56] References Cited

U.S. PATENT DOCUMENTS

D. 415,558 10/1999 Sato et al. D23/233
3,504,704 4/1970 Beckett et al. 137/625.64

1 Claim, 4 Drawing Sheets



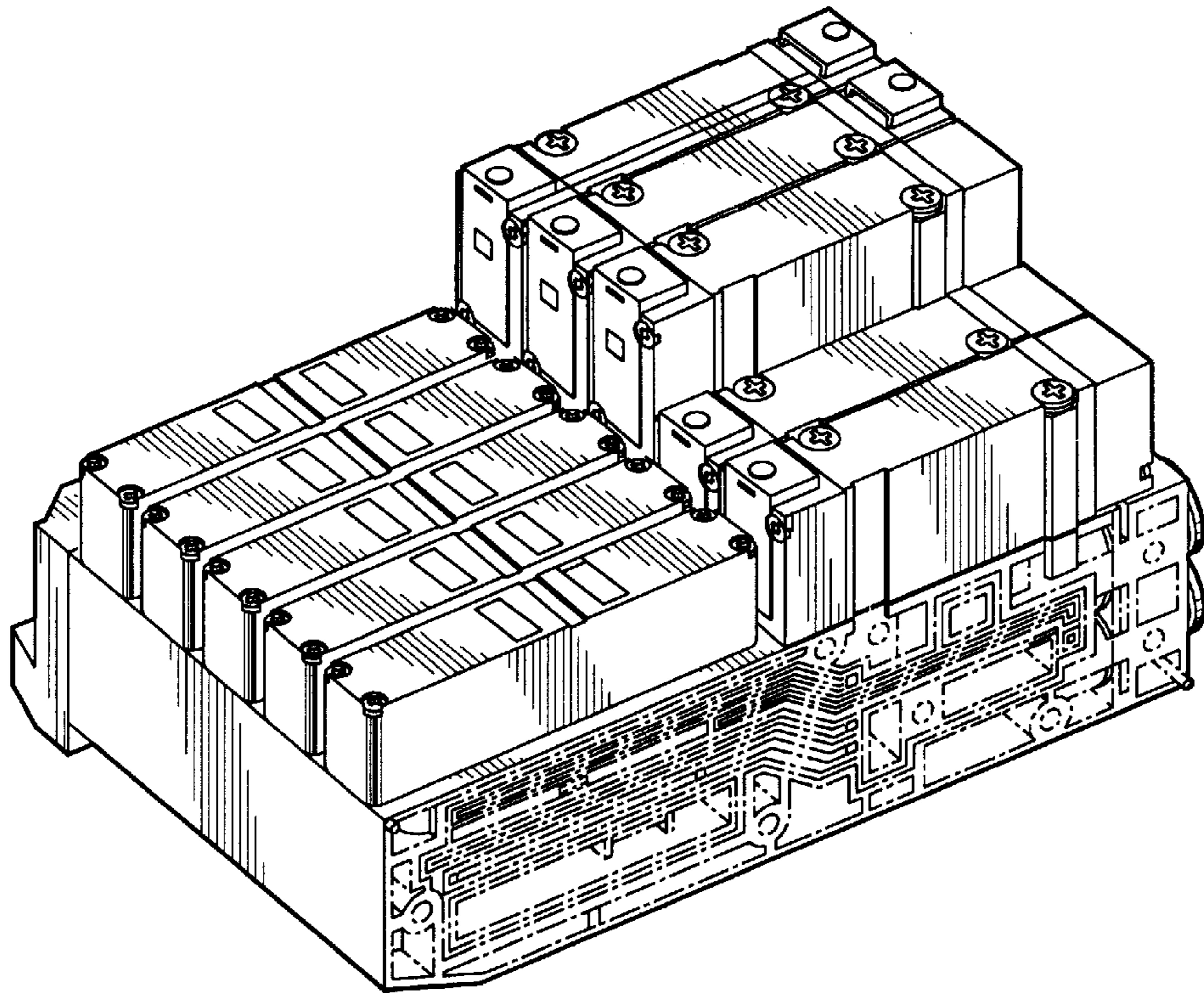


FIG. 1

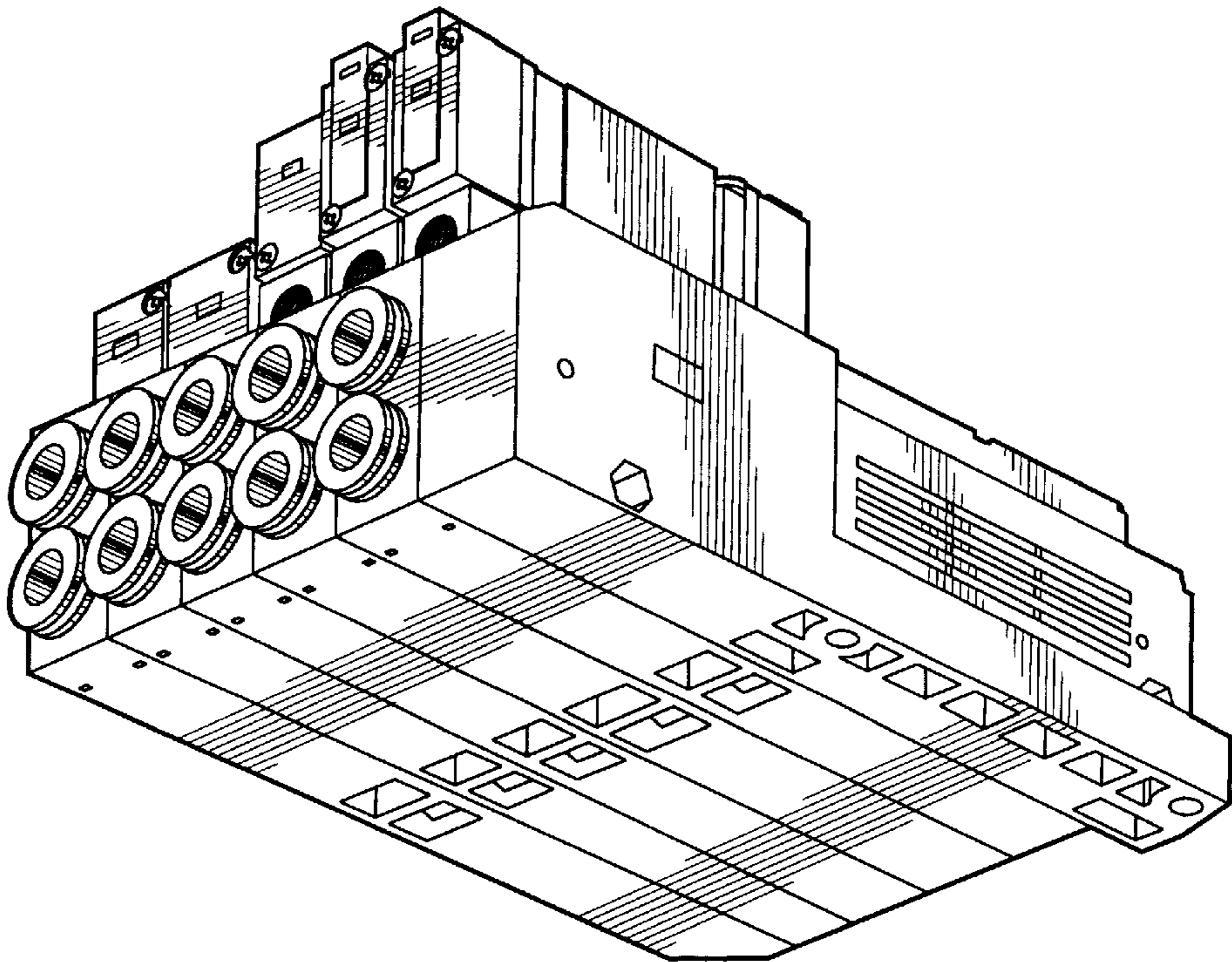


FIG. 2

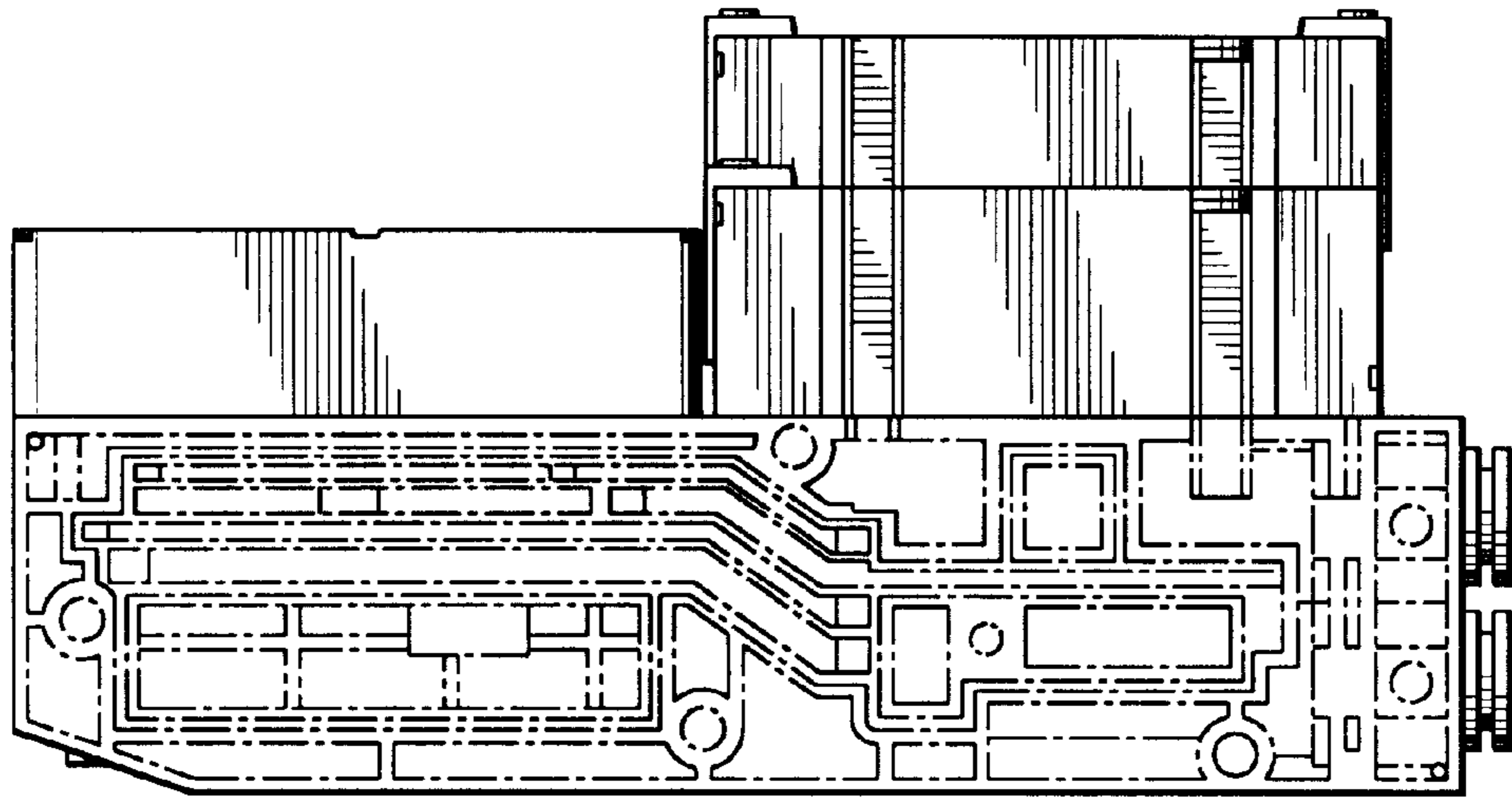


FIG. 3

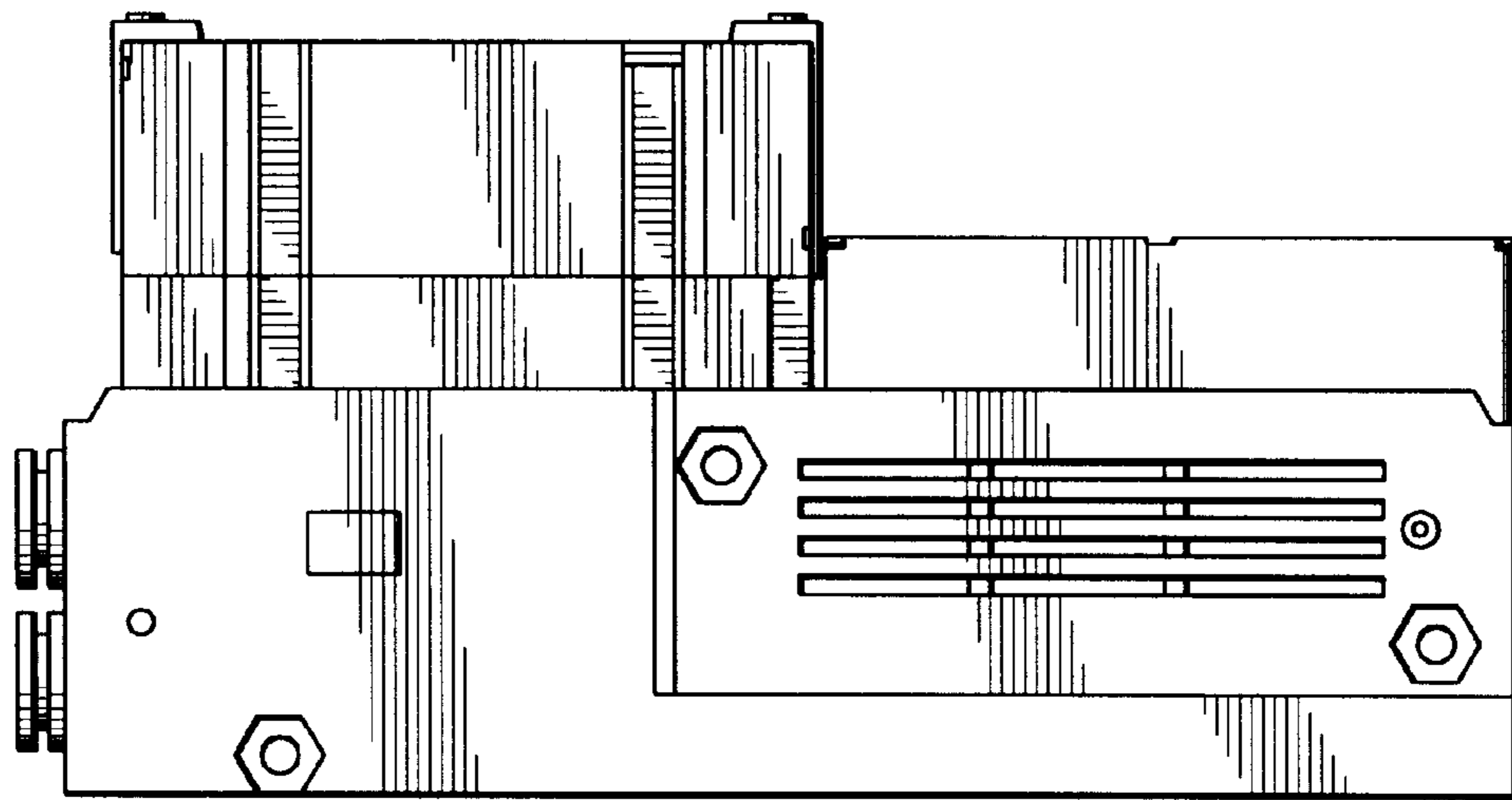


FIG. 4

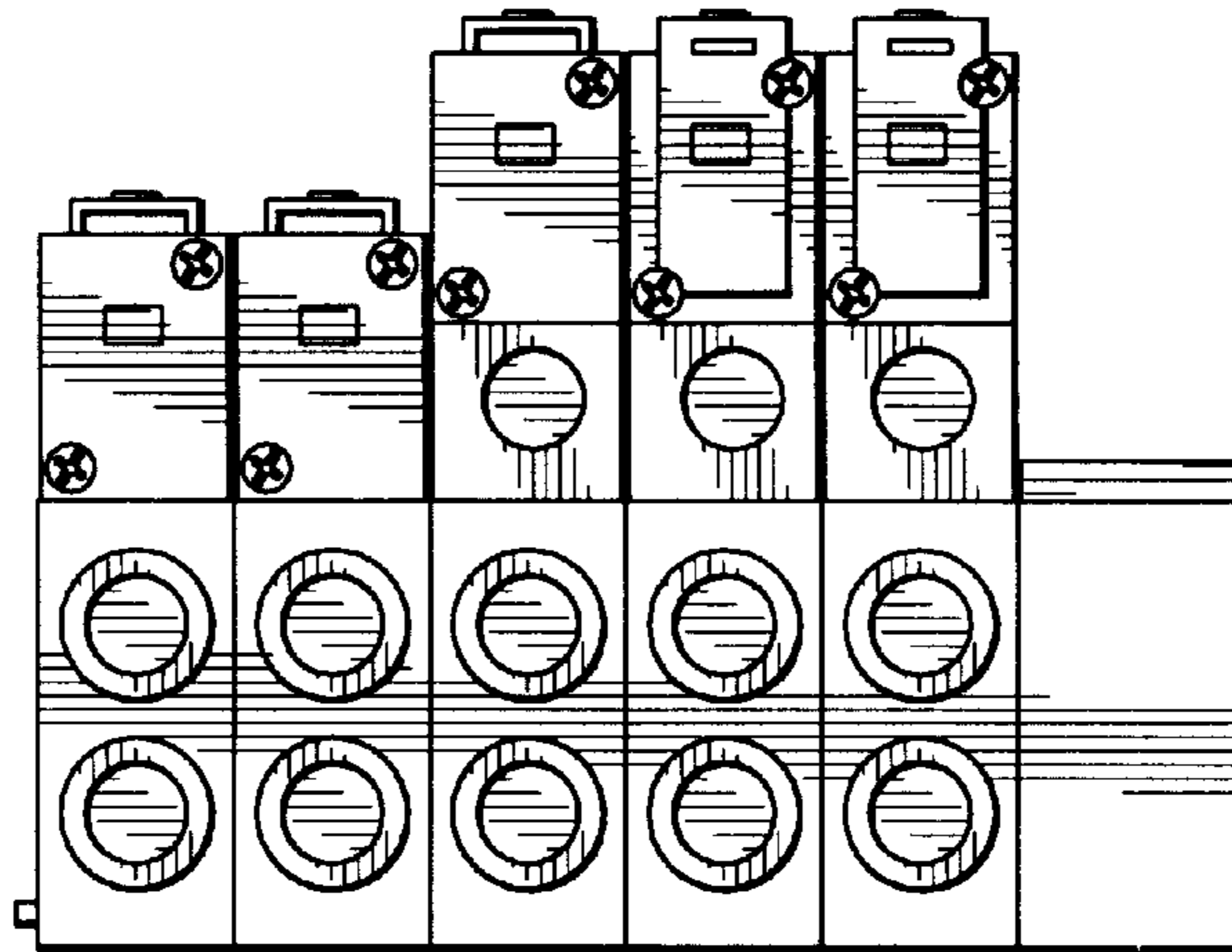


FIG. 5

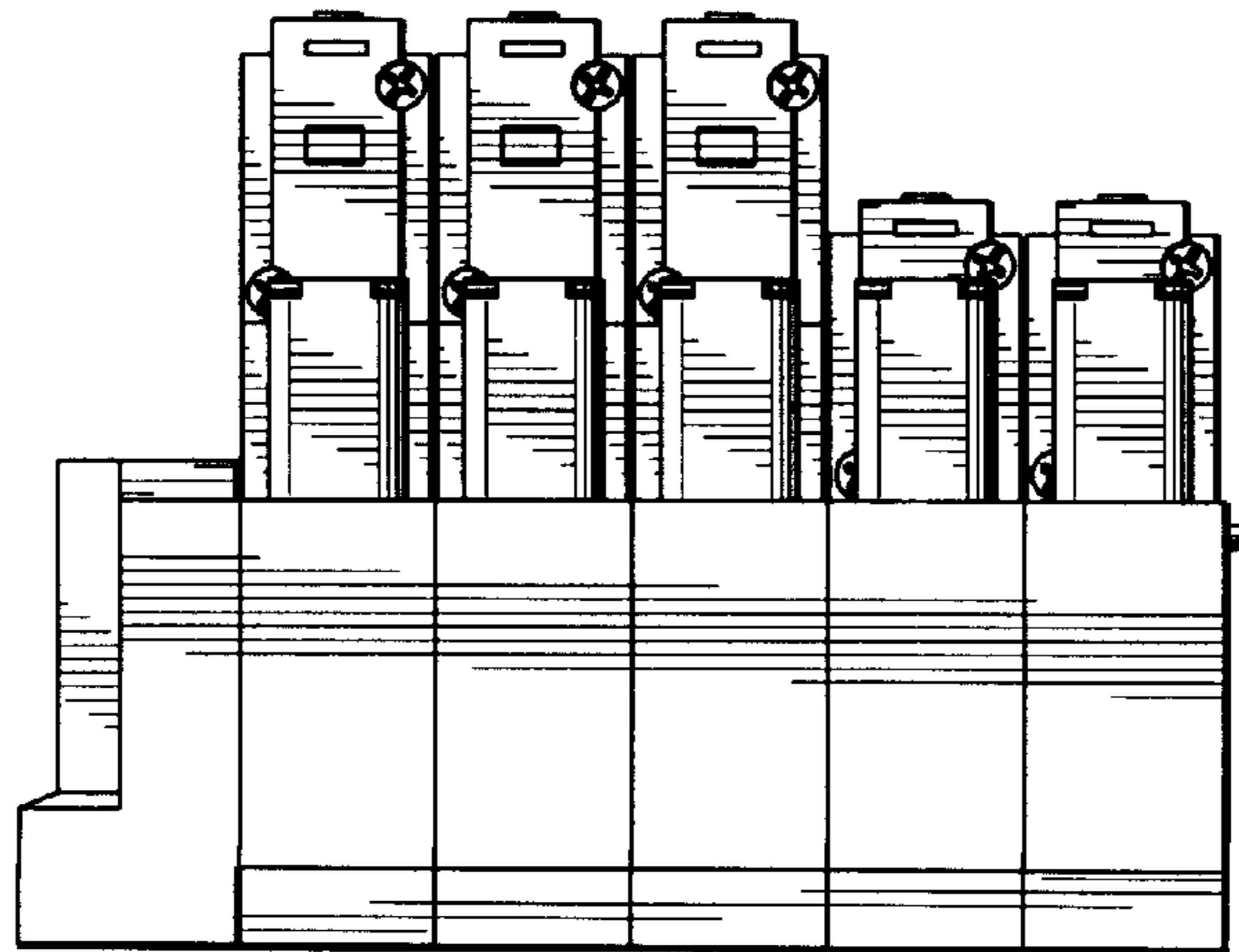


FIG. 6

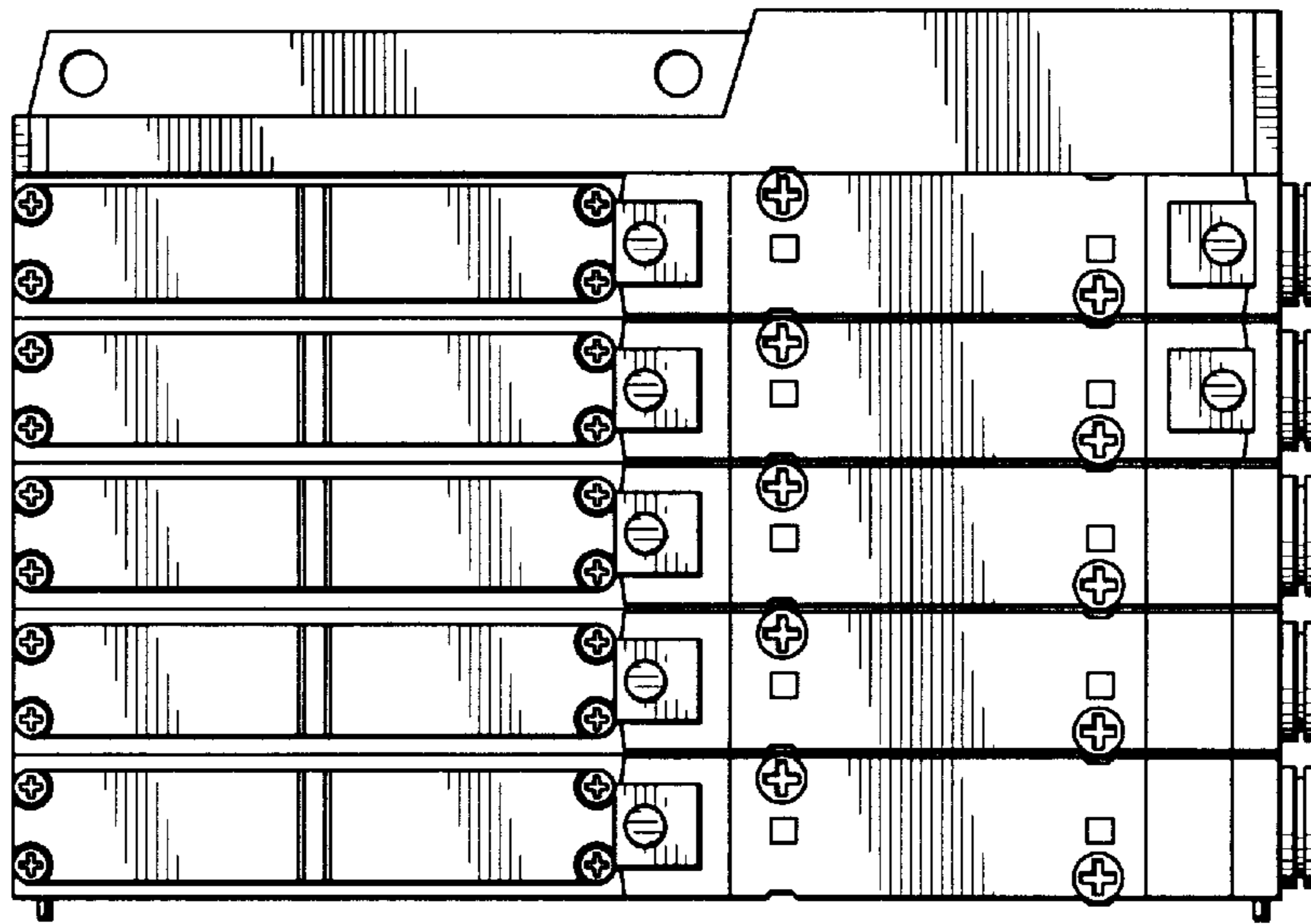


FIG. 7

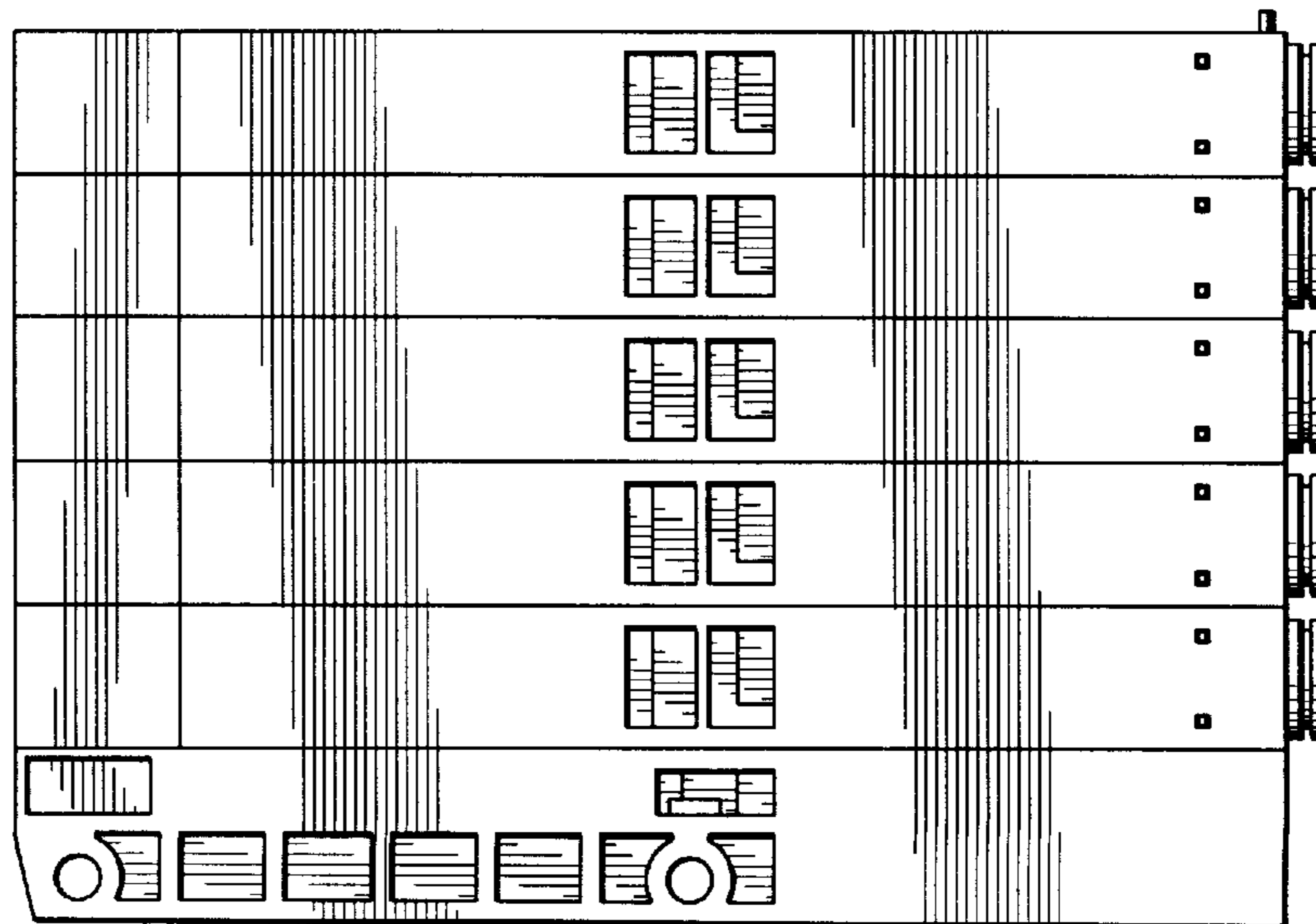


FIG. 8