



US00D428110S

United States Patent [19]
Haug et al.

[11] **Patent Number: Des. 428,110**
[45] **Date of Patent: ** Jul. 11, 2000**

[54] **HAND SHOWER**

[75] Inventors: **Andreas Haug; Thomas Schönherr**, both of Stuttgart; **Fabian Kollmann**, Leonberg, all of Germany; **Thomas Kuchler**, Zell am See, Austria

[73] Assignee: **Hansgrohe AG**, Schiltach, Germany

[**] Term: **14 Years**

[21] Appl. No.: **29/102,314**

[22] Filed: **Mar. 22, 1999**

[51] **LOC (7) Cl.** **23-01**

[52] **U.S. Cl.** **D23/223**

[58] **Field of Search** D23/213, 223, D23/226; 239/394, 525, 528

[56] **References Cited**

U.S. PATENT DOCUMENTS

D. 295,437	4/1988	Fabian	D23/223
D. 339,627	9/1993	Klose	D23/223
D. 392,369	3/1998	Chan	D23/223
D. 401,669	11/1998	Ratzlaff	D23/223
D. 410,276	5/1999	Ben-tsur	D23/223

OTHER PUBLICATIONS

Hansgrohe catalog; Aktivette-Handbrause von Hansgrohe, Aug. 1990.

Bossini Catalog, 1997, pp. 61-62.

Friedrich Grohe AG, Mar. 1997, "Grohetec" Catalog, pp. 18-19.

Primary Examiner—Robin V. Taylor

Attorney, Agent, or Firm—Duane, Morris & Heckscher LLP

[57] **CLAIM**

The ornamental design for a hand shower, as shown and described.

DESCRIPTION

FIG. 1 is a side perspective view of a hand shower showing our new design;

FIG. 2 is a front elevation view thereof;

FIG. 3 is a bottom plan view thereof;

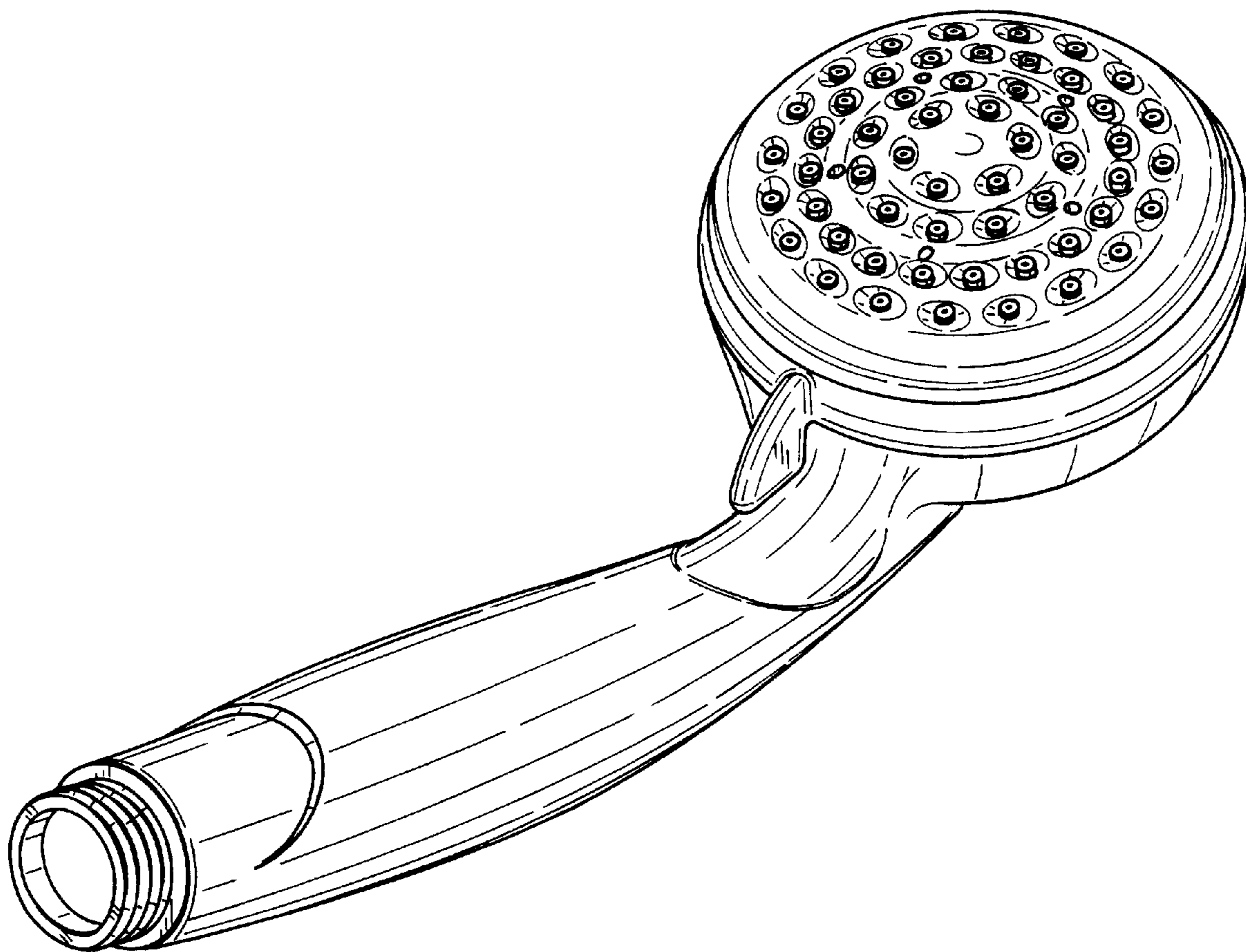
FIG. 4 is a side elevation view thereof;

FIG. 5 is a top plan view thereof;

FIG. 6 is a rear elevation view thereof; and,

FIG. 7 is an opposite side elevation view thereof.

1 Claim, 3 Drawing Sheets



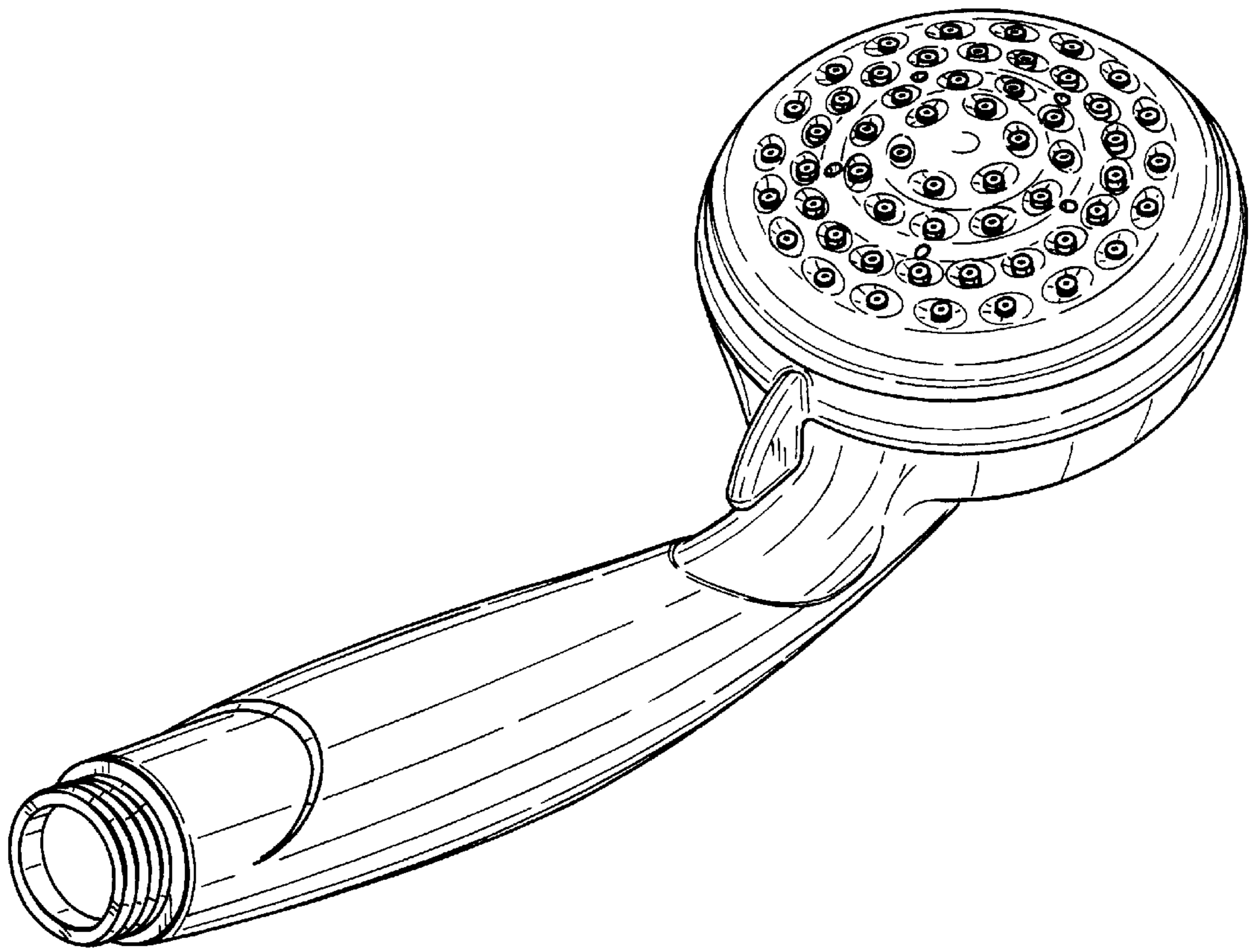


FIG. 1

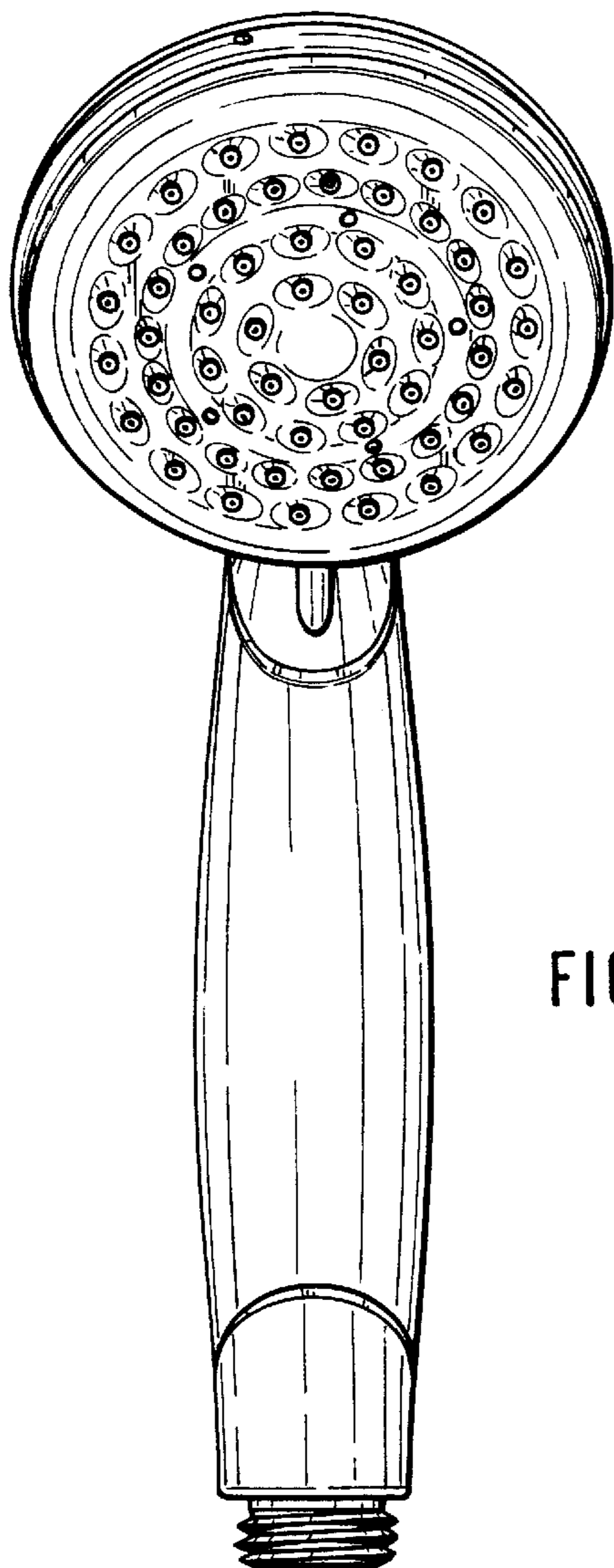


FIG. 2



FIG. 4

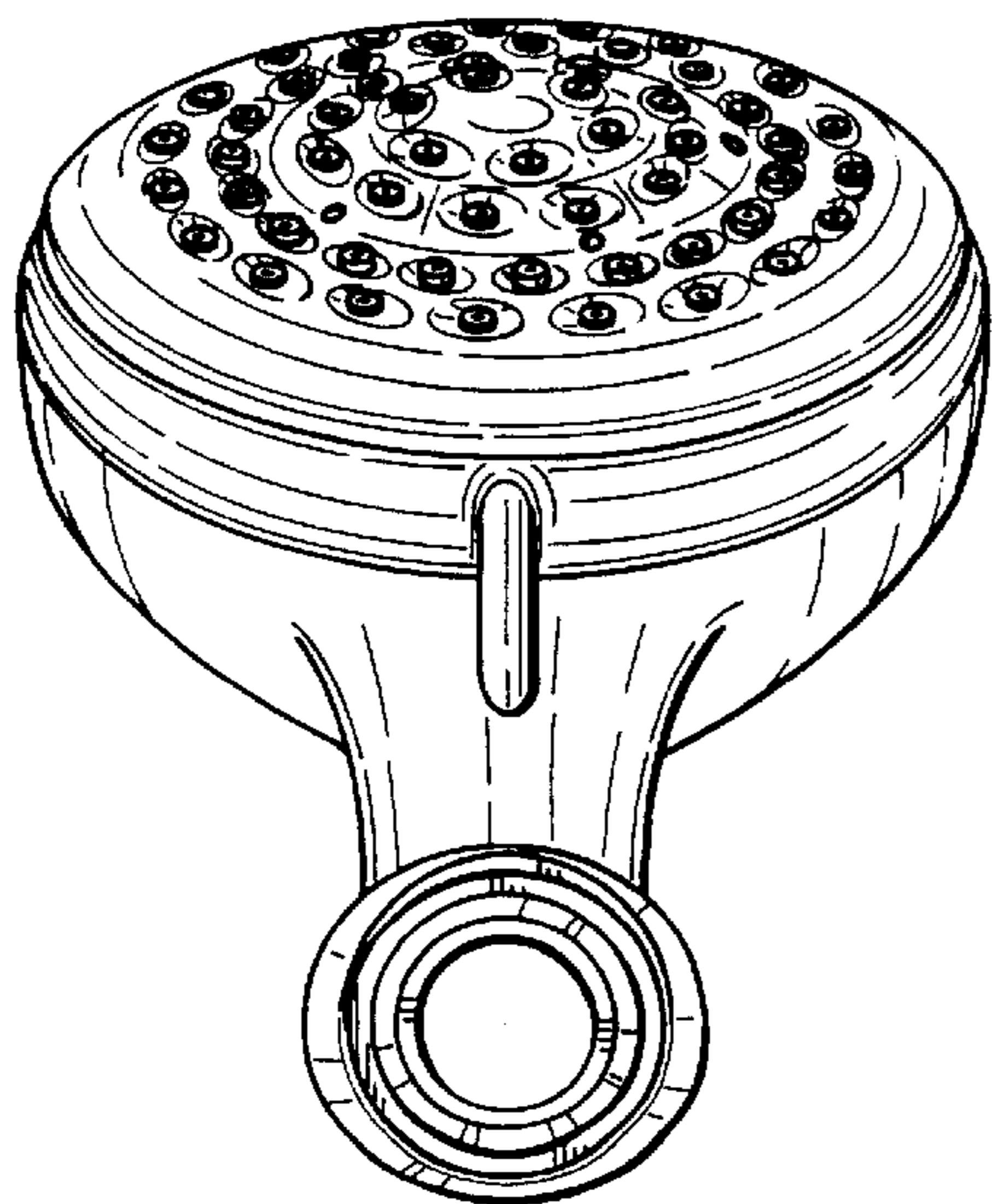


FIG. 3

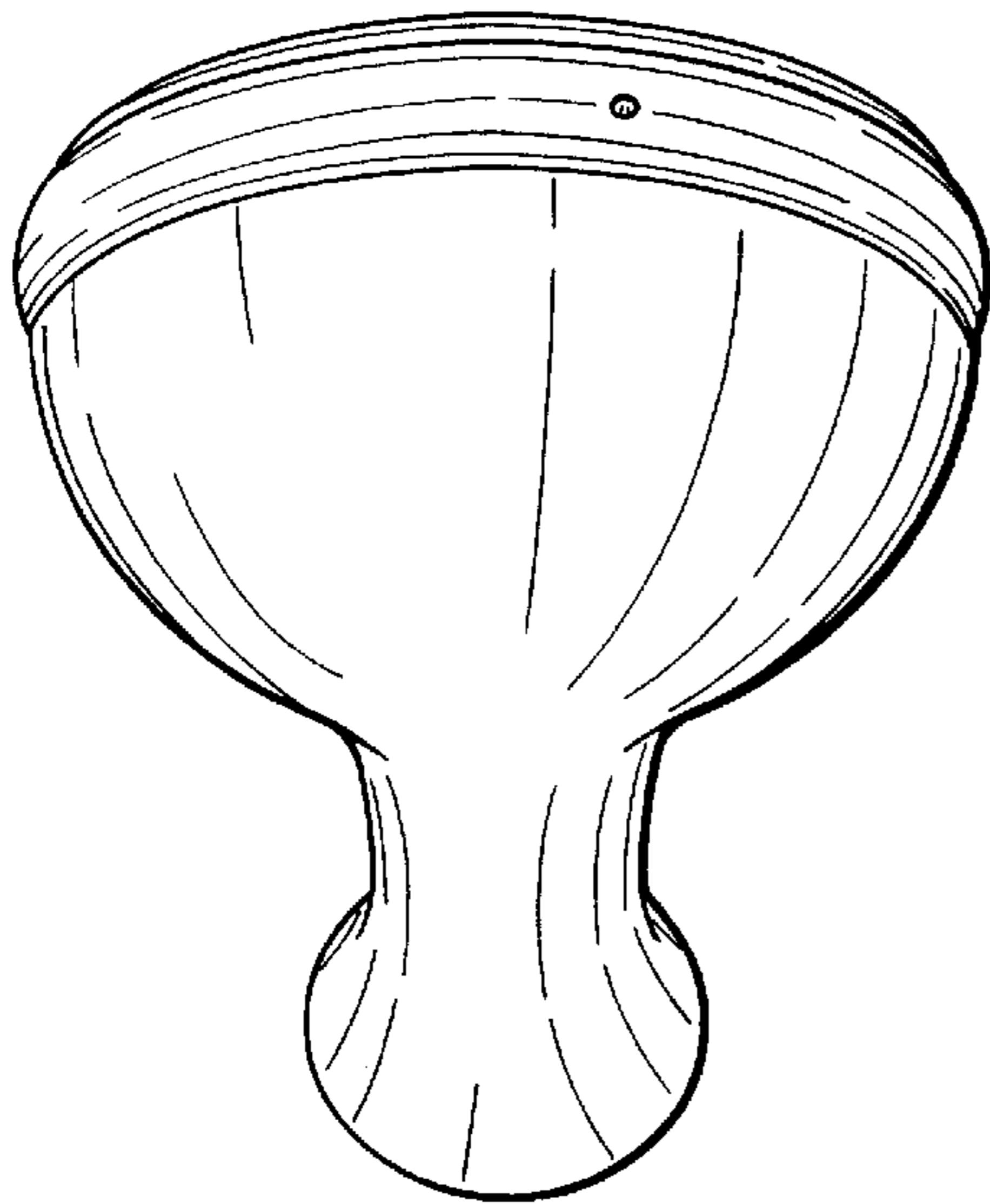


FIG. 5

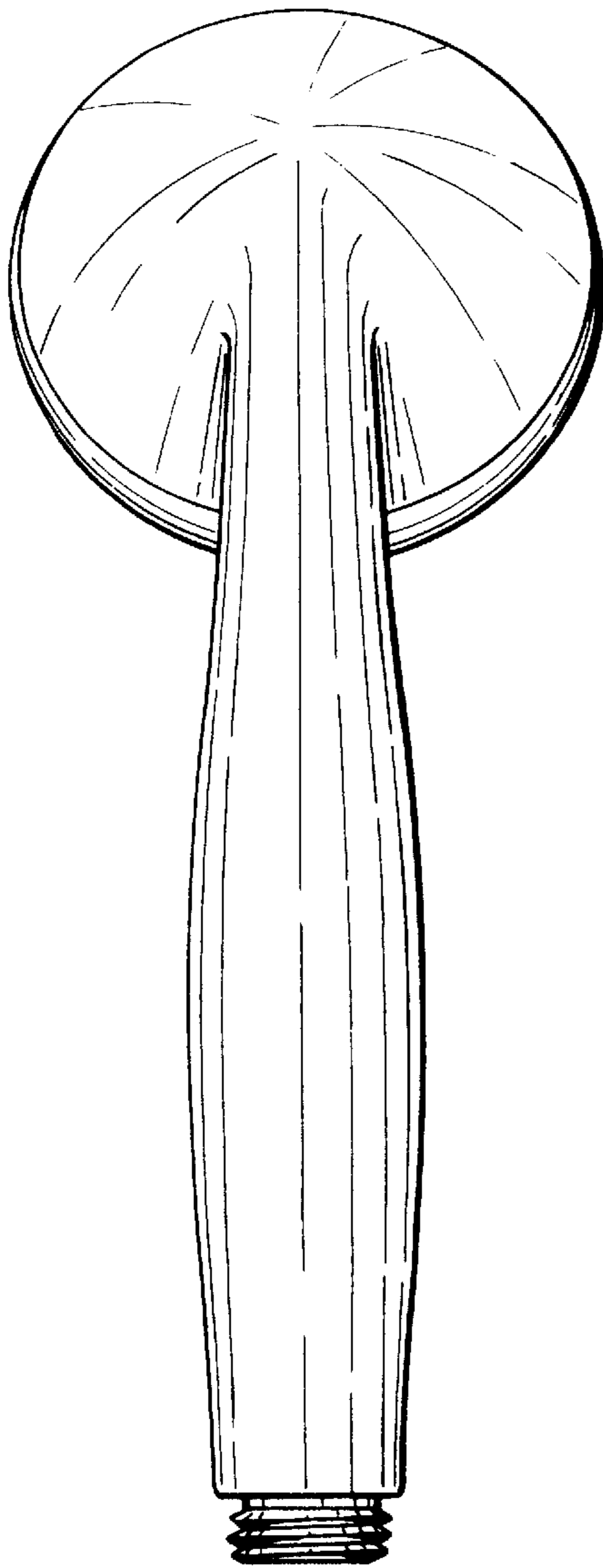


FIG. 6

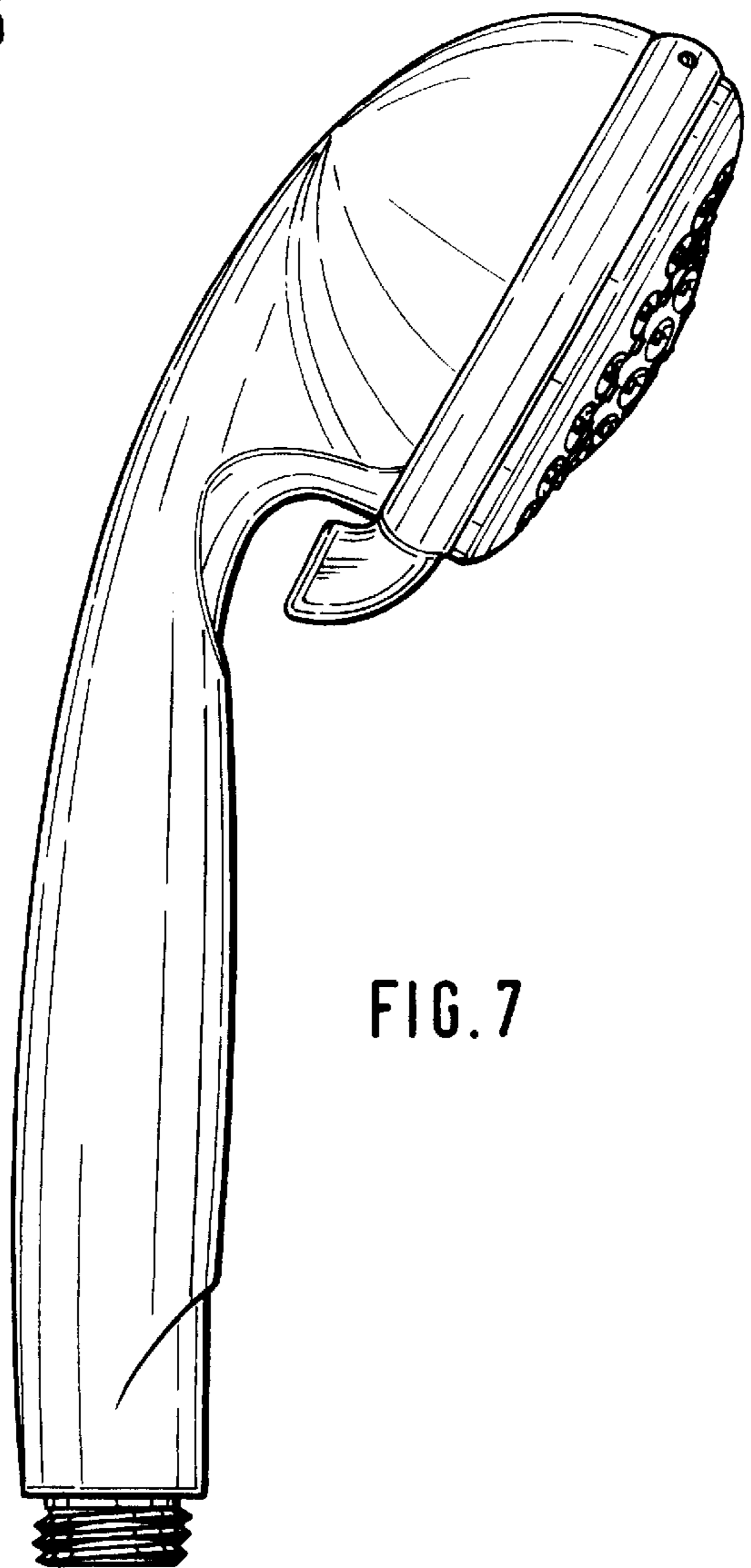


FIG. 7