



US00D428109S

**United States Patent** [19]  
**Mayer**

[11] **Patent Number: Des. 428,109**

[45] **Date of Patent: \*\* Jul. 11, 2000**

[54] **AQUARIUM FILTER**

D. 321,552 11/1991 Del Rosario ..... D23/210  
D. 371,140 6/1996 Anderson ..... D23/210

[75] Inventor: **Ferdinand Mayer**, Schwäbisch-Gmünd,  
Germany

*Primary Examiner*—Robin V. Taylor  
*Attorney, Agent, or Firm*—Michael J. Striker

[73] Assignee: **Eheim GmbH & Co. KG**, Deizsau,  
Germany

[57] **CLAIM**

[\*\*] Term: **14 Years**

The ornamental design for an aquarium filter, as shown and described.

[21] Appl. No.: **29/108,556**

[22] Filed: **Jul. 29, 1999**

[30] **Foreign Application Priority Data**

Feb. 25, 1999 [DE] Germany ..... 499 01 984

[51] **LOC (7) Cl.** ..... **23-01**

[52] **U.S. Cl.** ..... **D23/210**

[58] **Field of Search** ..... D23/207, 209,  
D23/210; 210/416.2, 169

**DESCRIPTION**

FIG. 1 is a perspective view of an aquarium filter showing my new design;

FIG. 2 is a front view thereof;

FIG. 3 is a rear view thereof;

FIG. 4 is a left side view thereof;

FIG. 5 is a right side view thereof;

FIG. 6 is a top view thereof; and,

FIG. 7 is a bottom view thereof.

[56] **References Cited**

**U.S. PATENT DOCUMENTS**

D. 289,914 5/1987 Willinger et al. .... D23/210

**1 Claim, 7 Drawing Sheets**

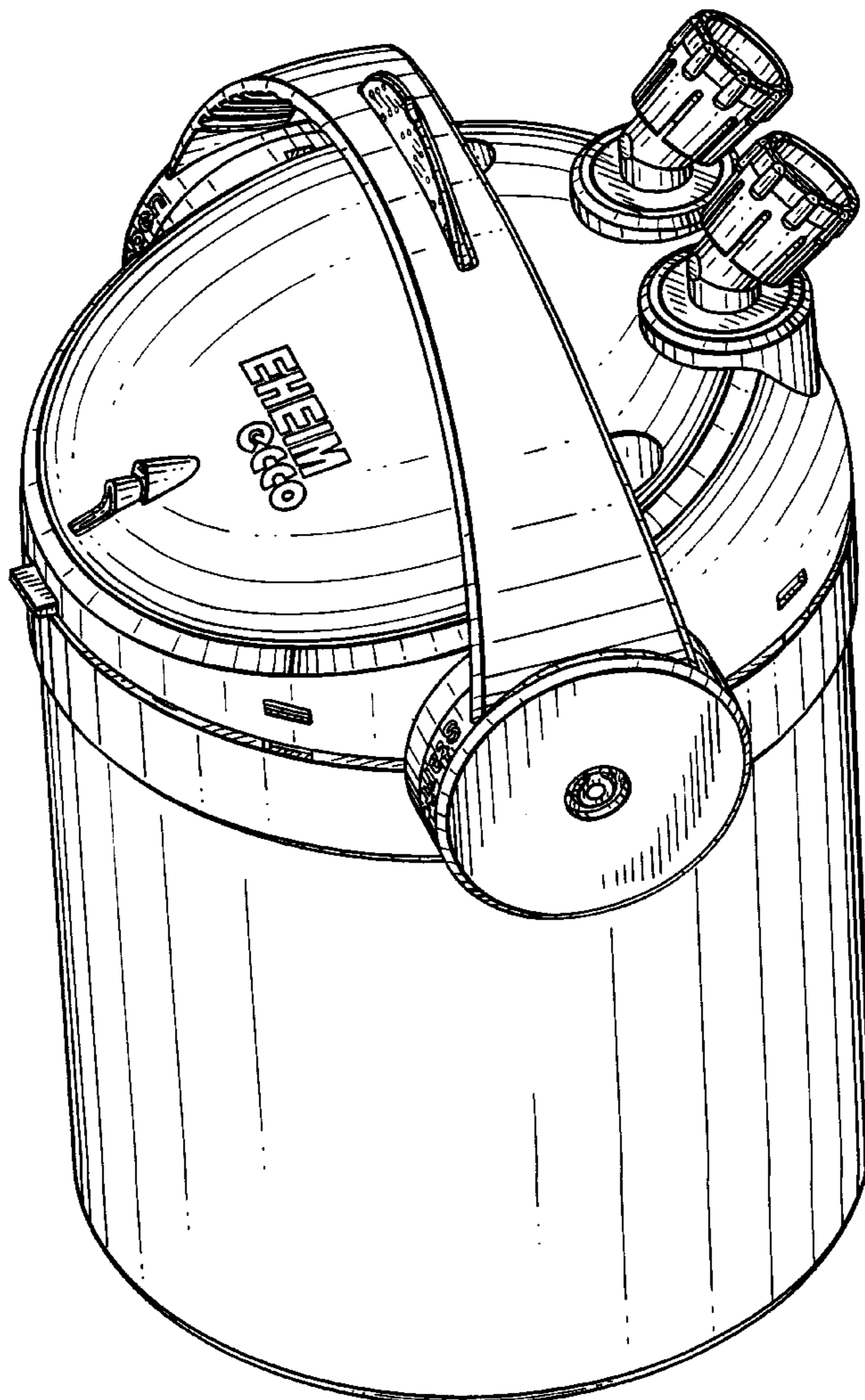


FIG. 1

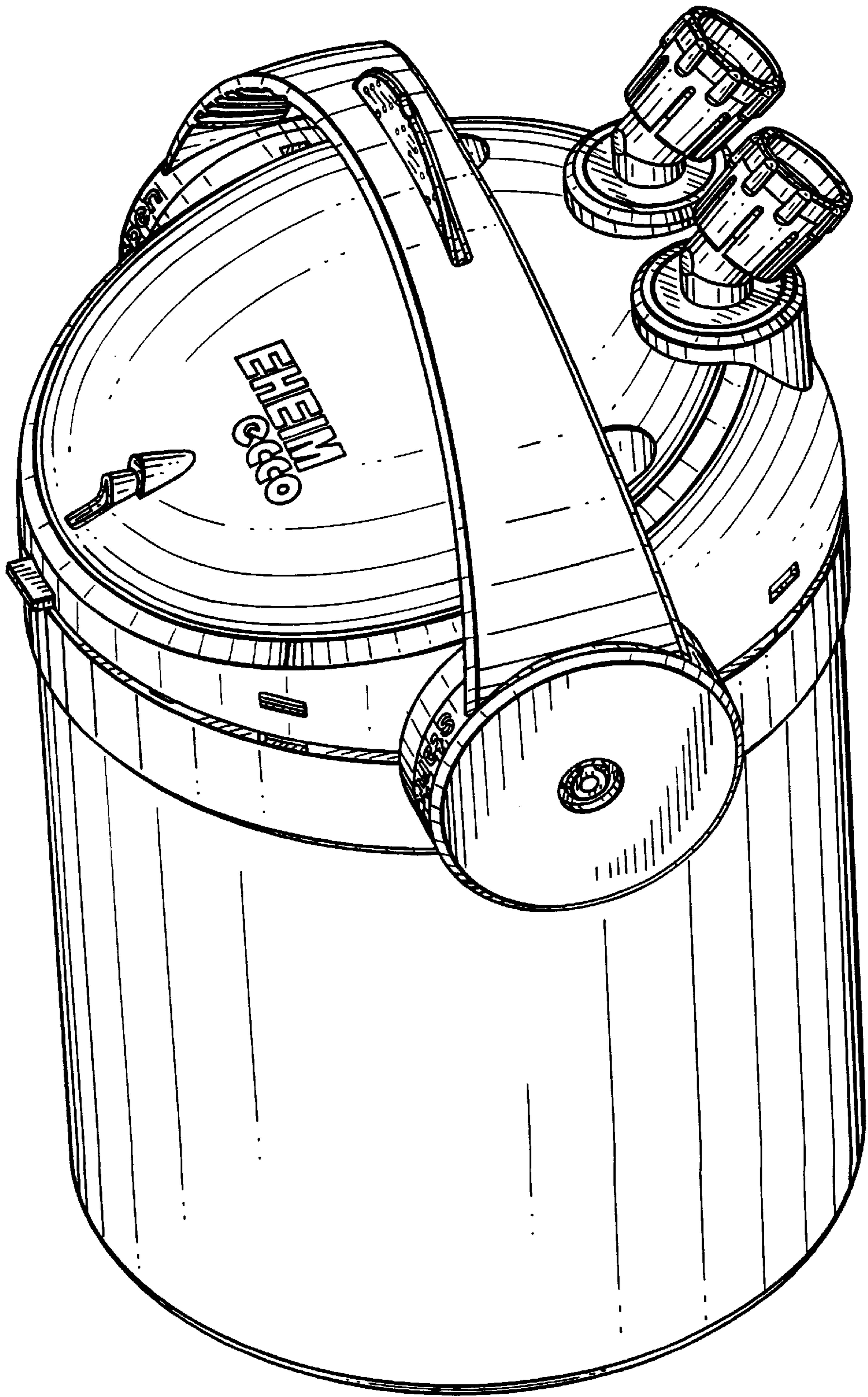


FIG. 2

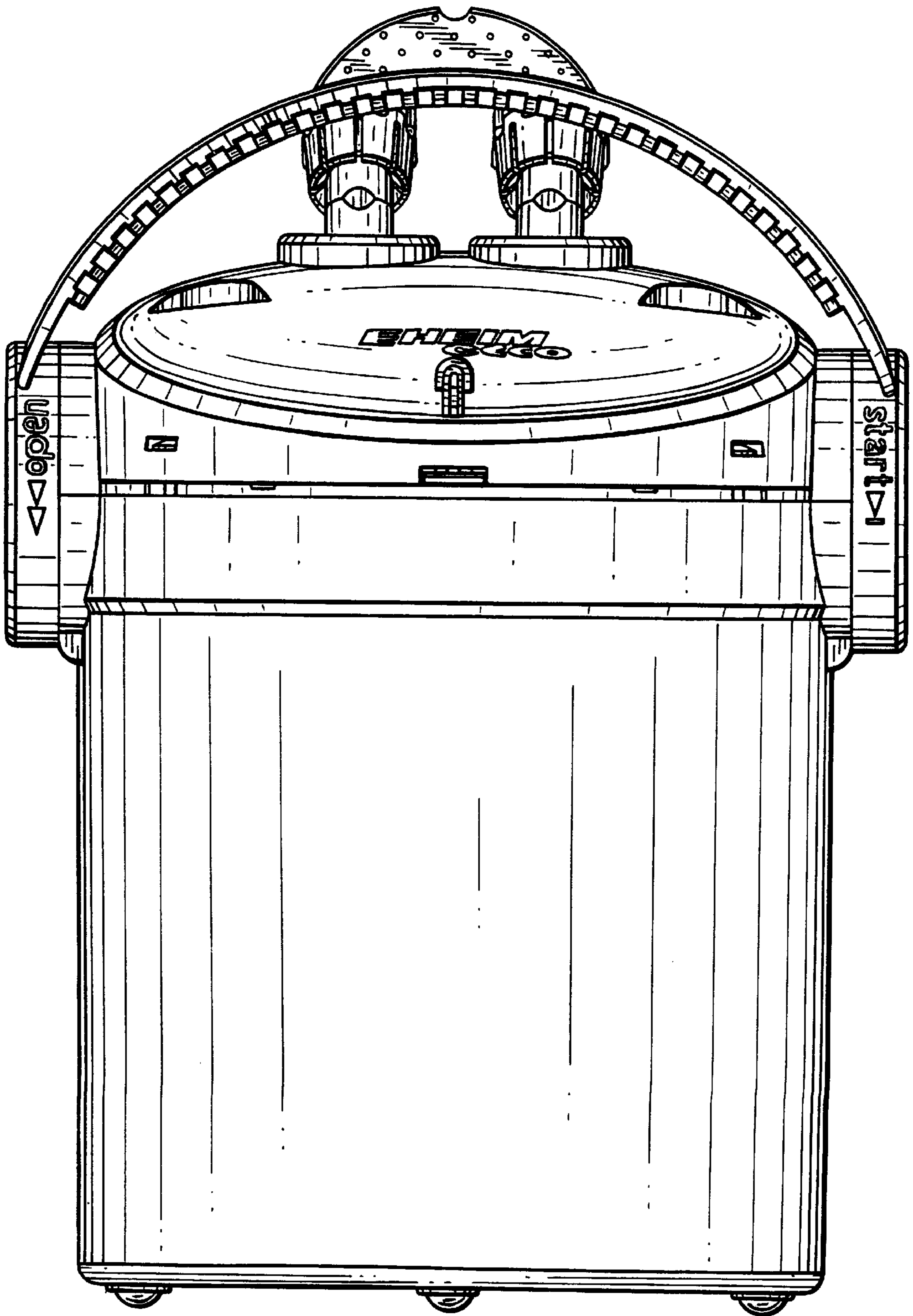


FIG. 3

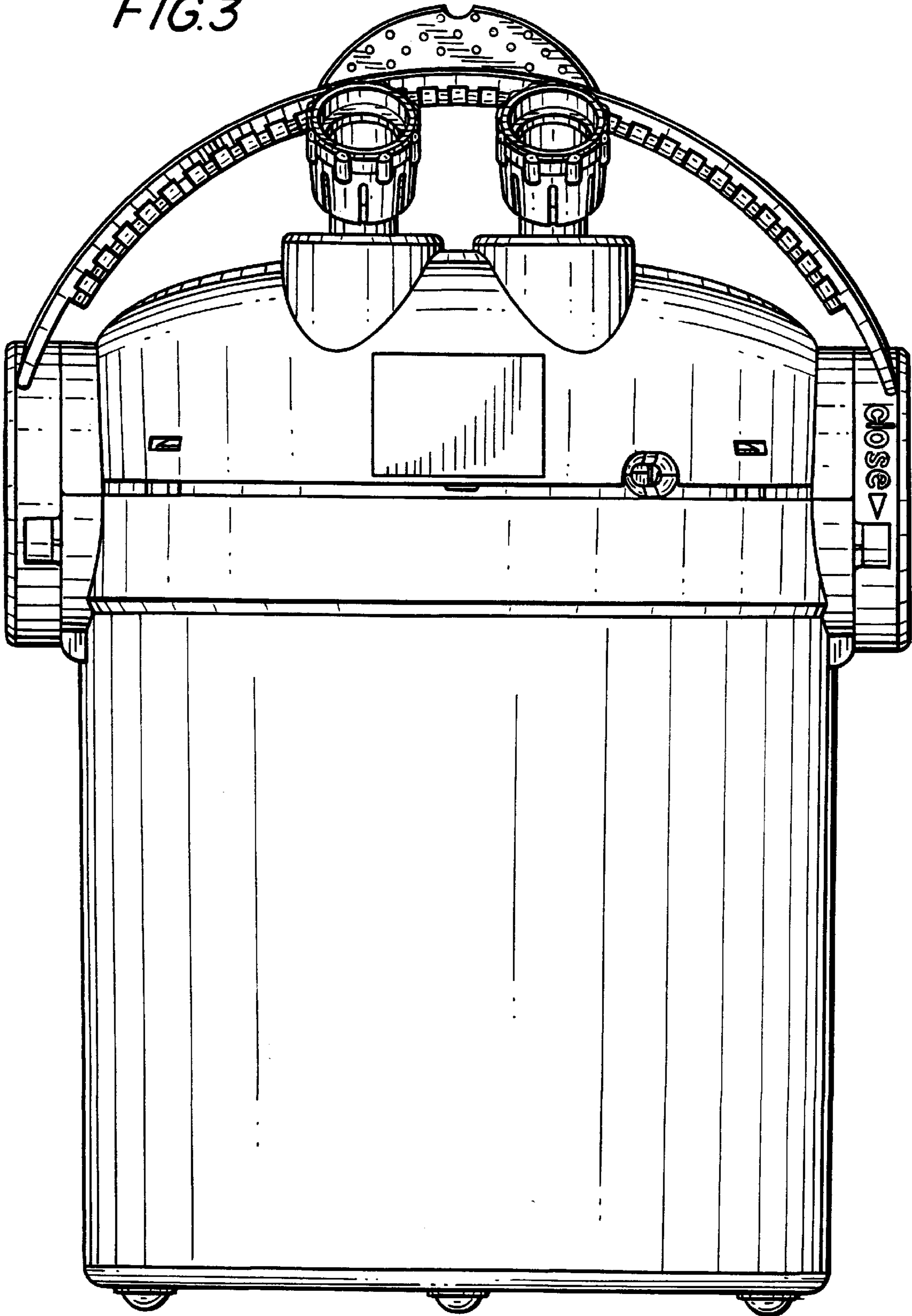
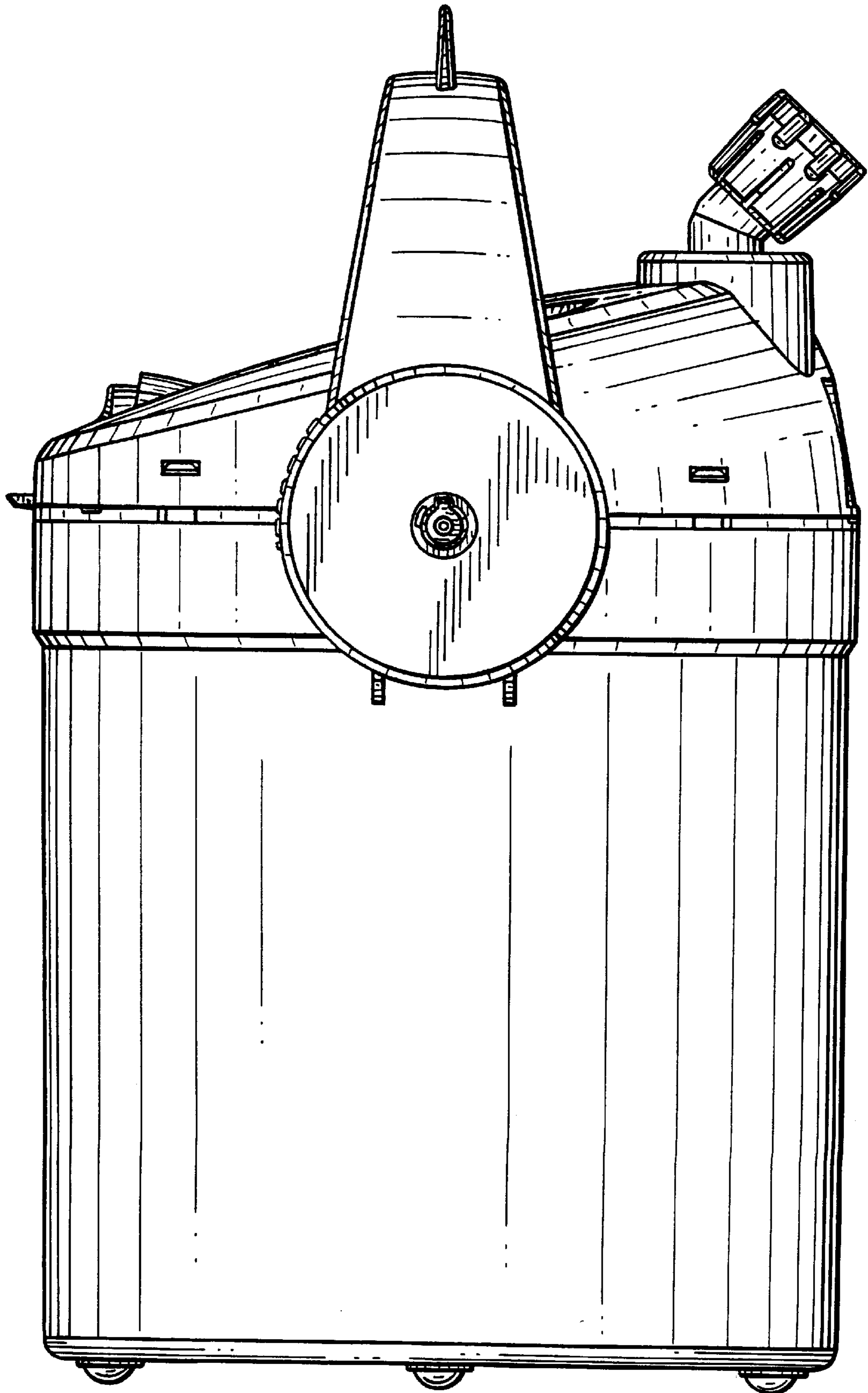


FIG. 4



*FIG. 5*

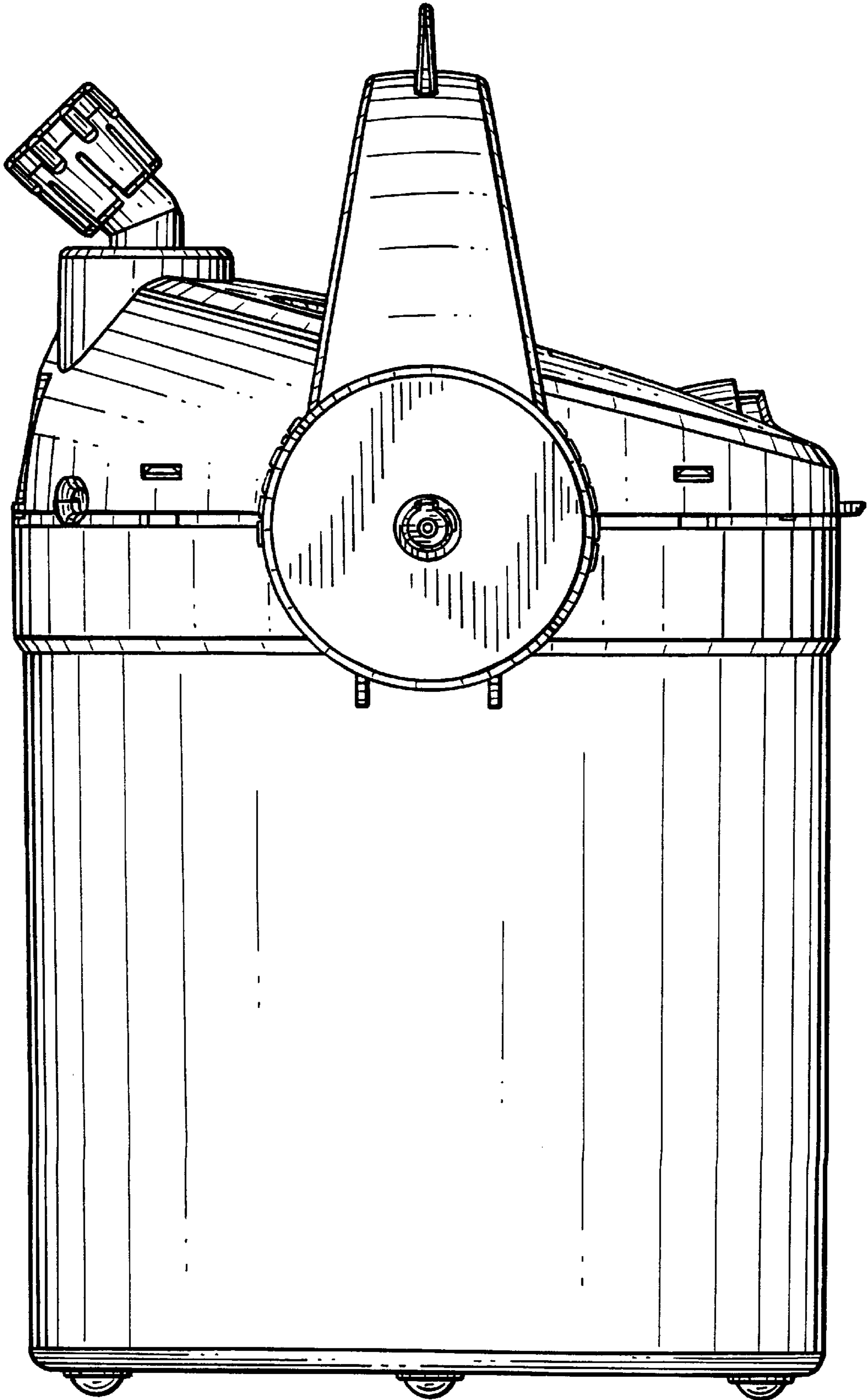
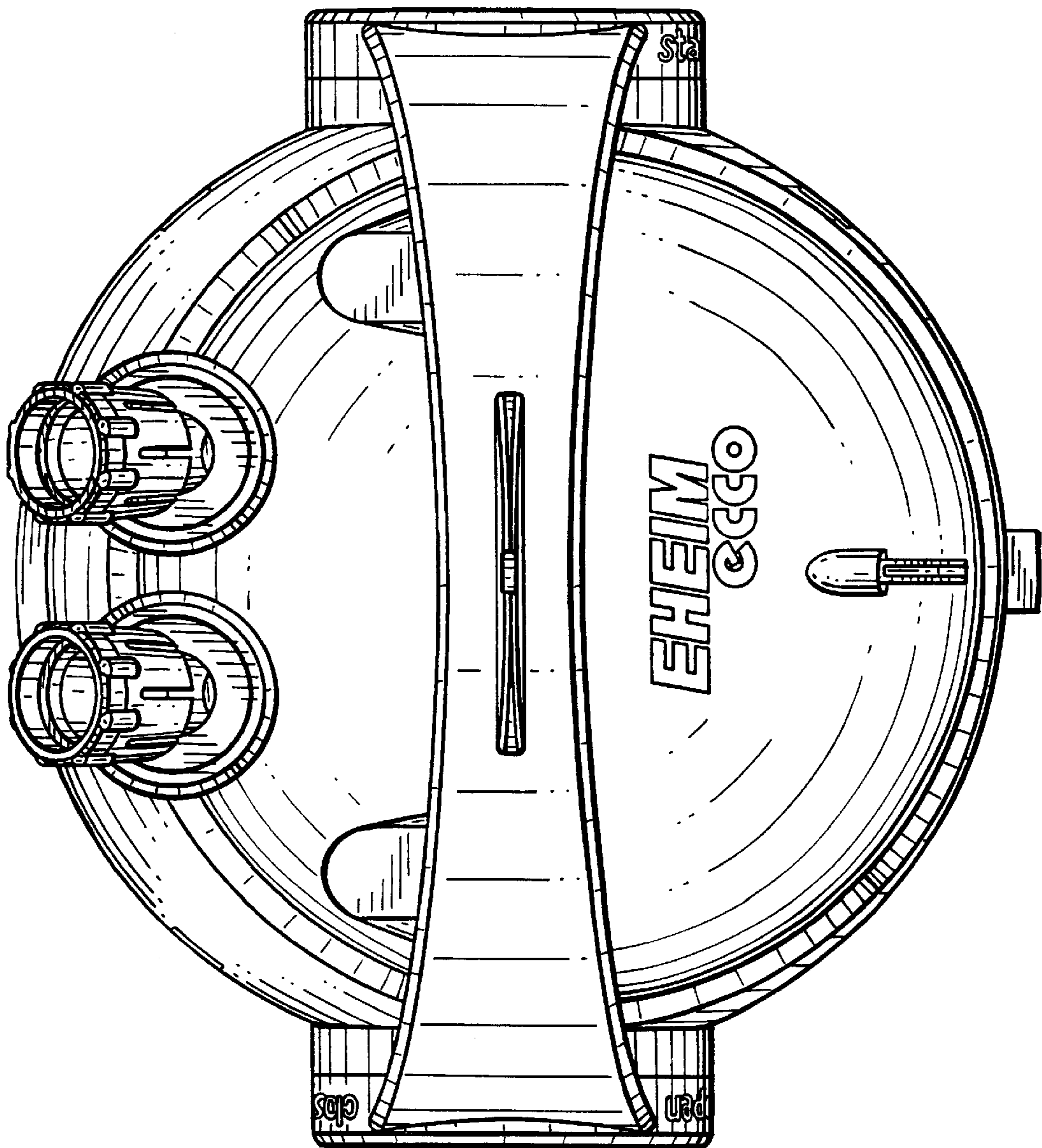


FIG. 6



*FIG. 7*

