



US00D428106S

United States Patent [19] Yamaguchi

[11] Patent Number: **Des. 428,106**

[45] Date of Patent: **** *Jul. 11, 2000**

[54] **SPOOL FOR A FISHING SPINNING REEL**

[75] Inventor: **Kaname Yamaguchi**, Higashikurume, Japan

[73] Assignee: **Daiwa Seiko, Inc.**, Tokyo, Japan

[*] Notice: This patent is subject to a terminal disclaimer.

[**] Term: **14 Years**

[21] Appl. No.: **29/063,108**

[22] Filed: **Nov. 27, 1996**

[30] **Foreign Application Priority Data**

Jun. 6, 1996	[JP]	Japan	8-16674
Jun. 6, 1996	[JP]	Japan	8-16675

[51] **LOC (7) Cl.** **22-05**

[52] **U.S. Cl.** **D22/137**

[58] **Field of Search** D22/141, 134, D22/137; 242/224, 322, 323, 311

[56] **References Cited**

U.S. PATENT DOCUMENTS

D. 215,599	10/1969	Laszlo	D22/141
D. 304,065	10/1989	Haynes	D22/141
D. 352,765	11/1994	Onishi	D22/141
D. 369,643	5/1996	Moriya et al.	D22/141
D. 369,847	5/1996	Kuntze	D22/137
D. 393,689	4/1998	Kaneko et al.	D22/137
D. 404,461	1/1999	Kaneko et al.	D22/137

4,512,531	4/1985	Tunoda	242/311
4,773,611	9/1988	Kaneko	242/322
5,042,741	8/1991	Aota	242/224
5,603,465	2/1997	Henriksson	242/322
5,615,843	4/1997	Takeuchi et al.	242/322

Primary Examiner—Louis S. Zarfes
Assistant Examiner—Inga-Maria Hyttinen
Attorney, Agent, or Firm—Laff, Whitesel & Saret, Ltd.; J. Warren Whitesel

[57] **CLAIM**

The ornamental design for a spool for a fishing spinning reel, as shown and described.

DESCRIPTION

FIG. 1 is a front and left side perspective view of a spool for a fishing spinning reel, showing my new design; FIG. 2 is a front and right side perspective view thereof; FIG. 3 is a front elevational view thereof; the opposite side being a mirror image thereof; and a top plan view and a bottom plan view being identical thereof; FIG. 4 is a right side elevational view thereof; FIG. 5 is a left side elevational view thereof; FIG. 6 is a central vertical cross-sectional view in FIG. 4; FIG. 7 is a front and left side perspective view of a second embodiment of the spool for a fishing spinning reel it being understood that the sole difference resides in the inclusion of circumferential lines on the recessed cylindrical portion; and, FIG. 8 is a front and right side perspective view thereof.

1 Claim, 3 Drawing Sheets

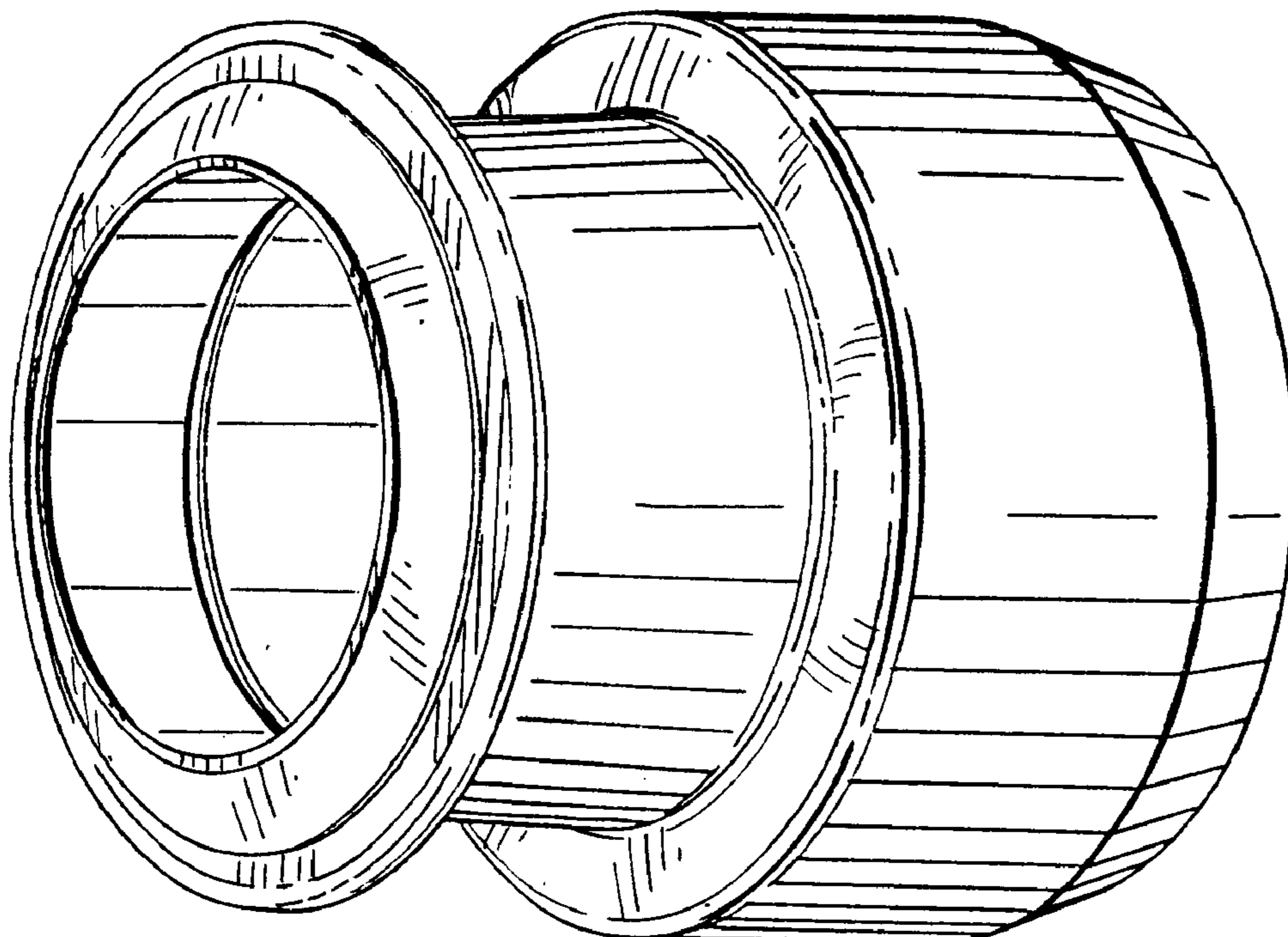


FIG. 1

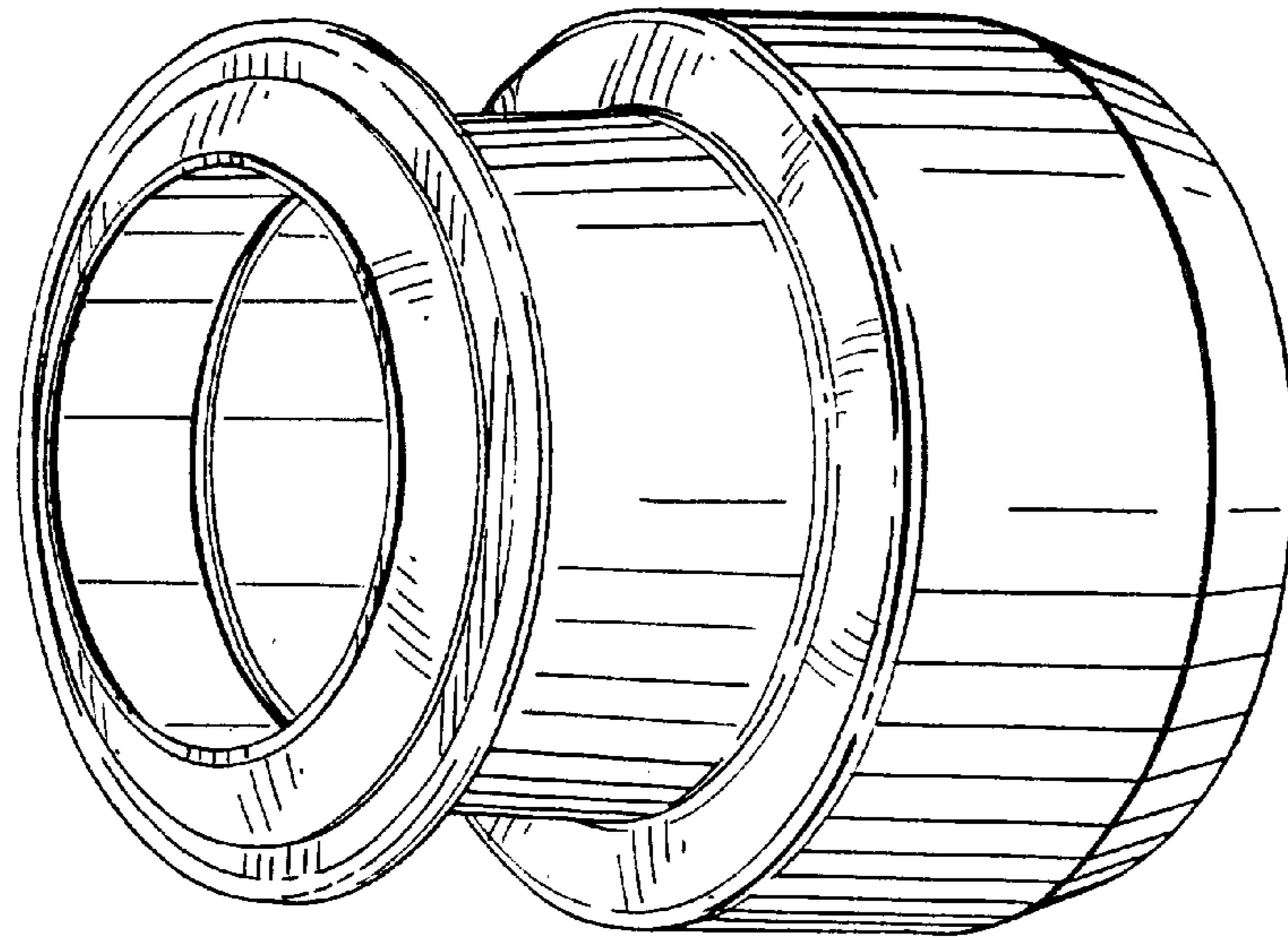


FIG. 2

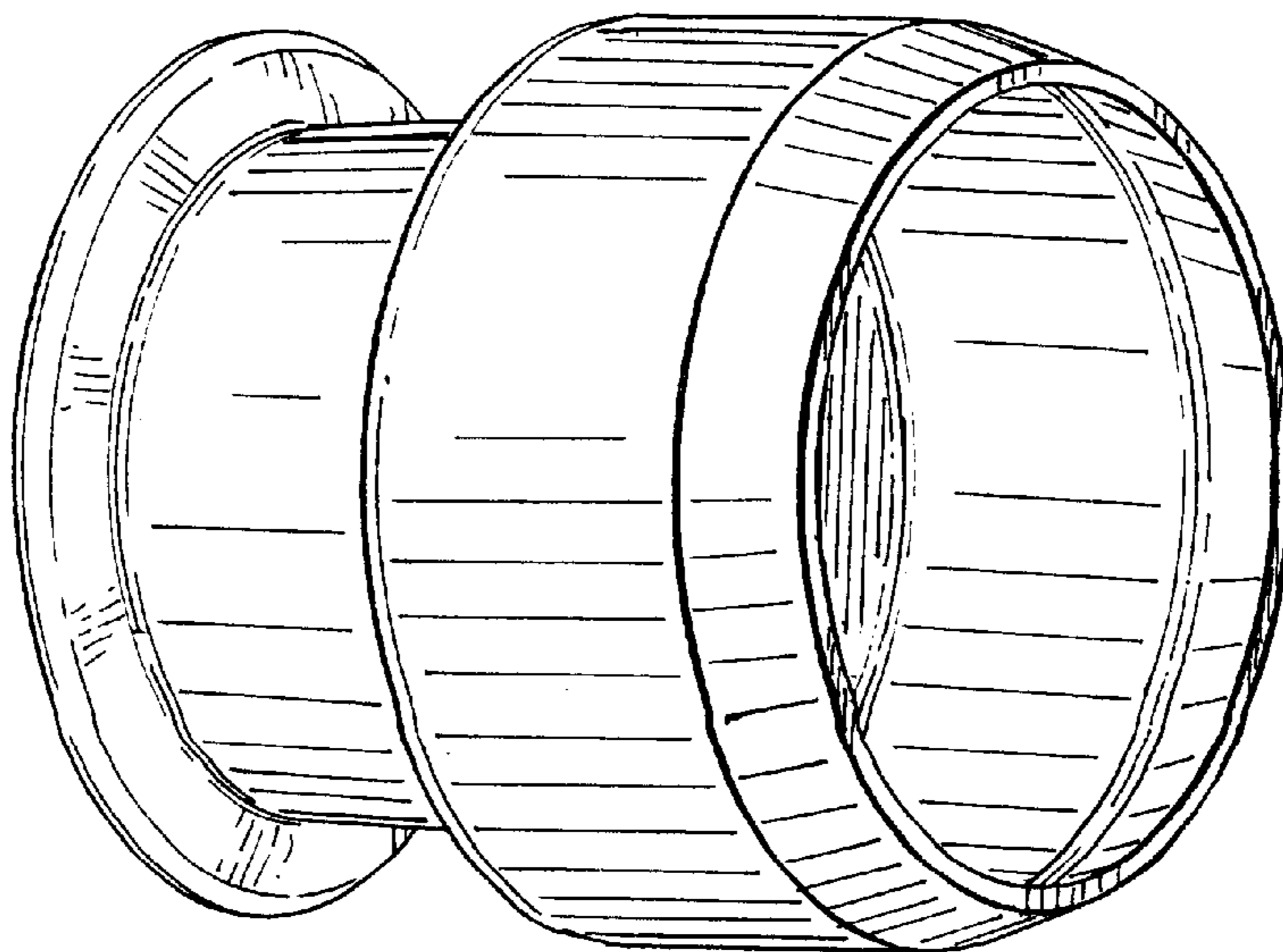


FIG. 3

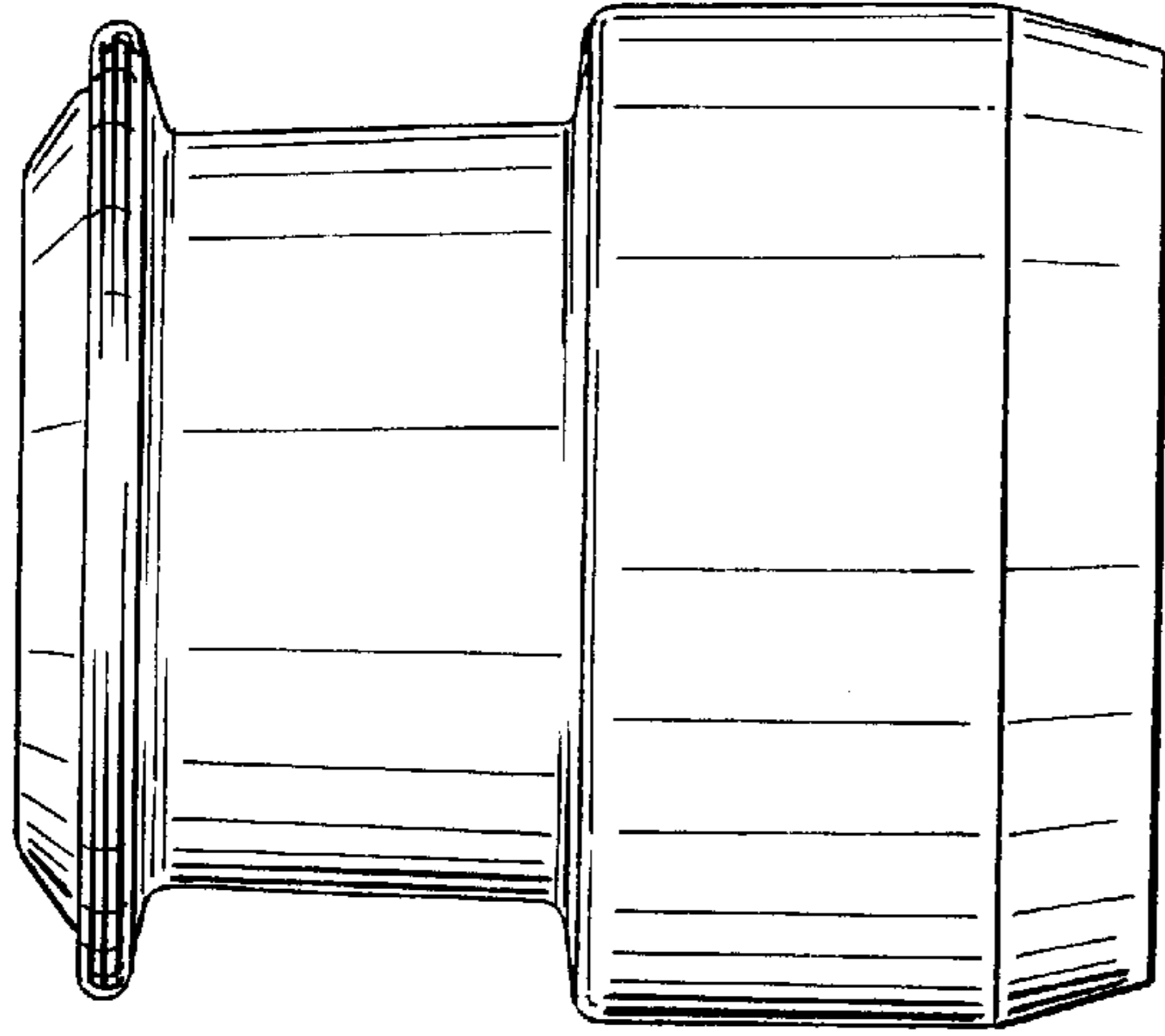


FIG. 4

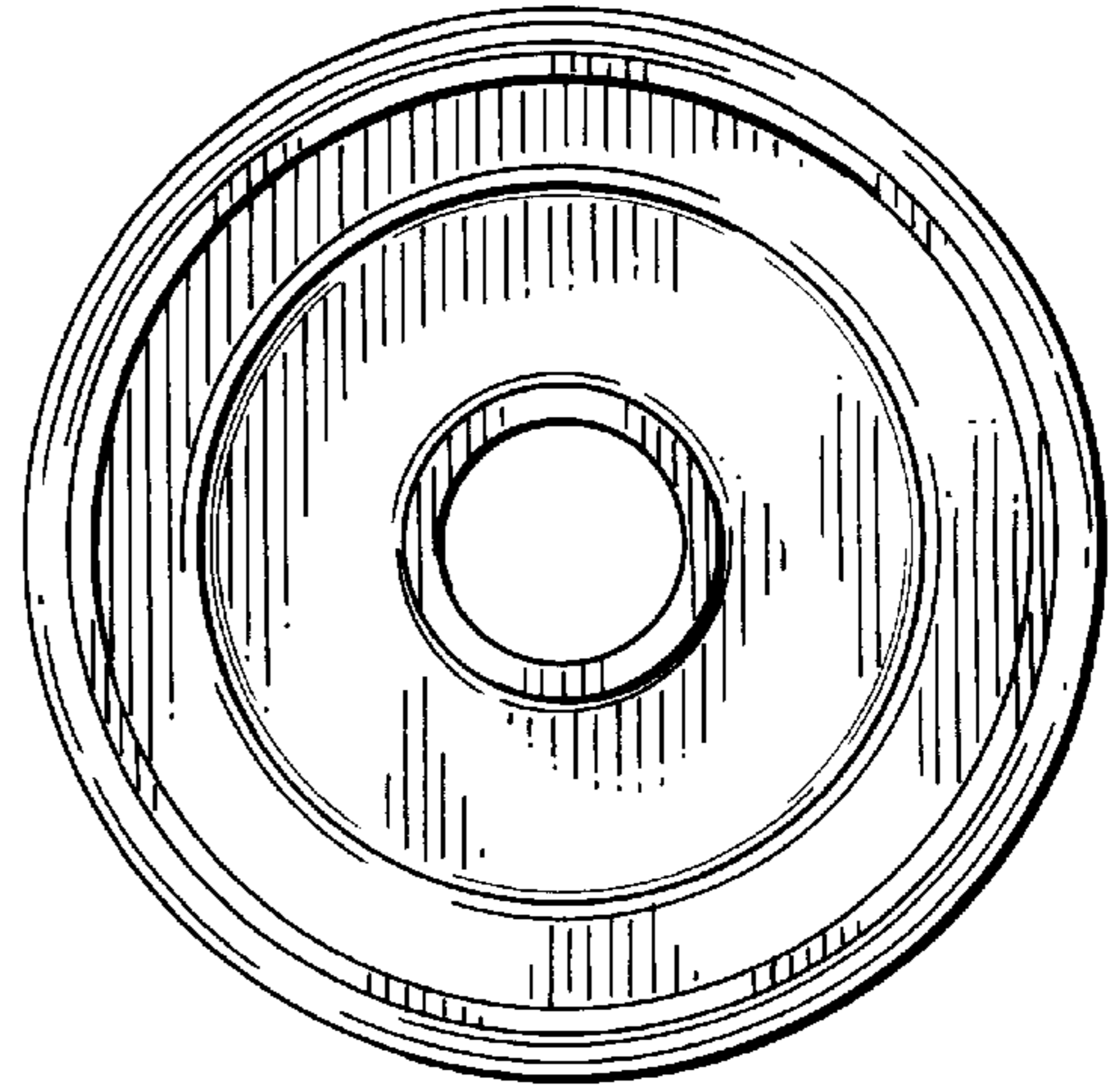


FIG. 6

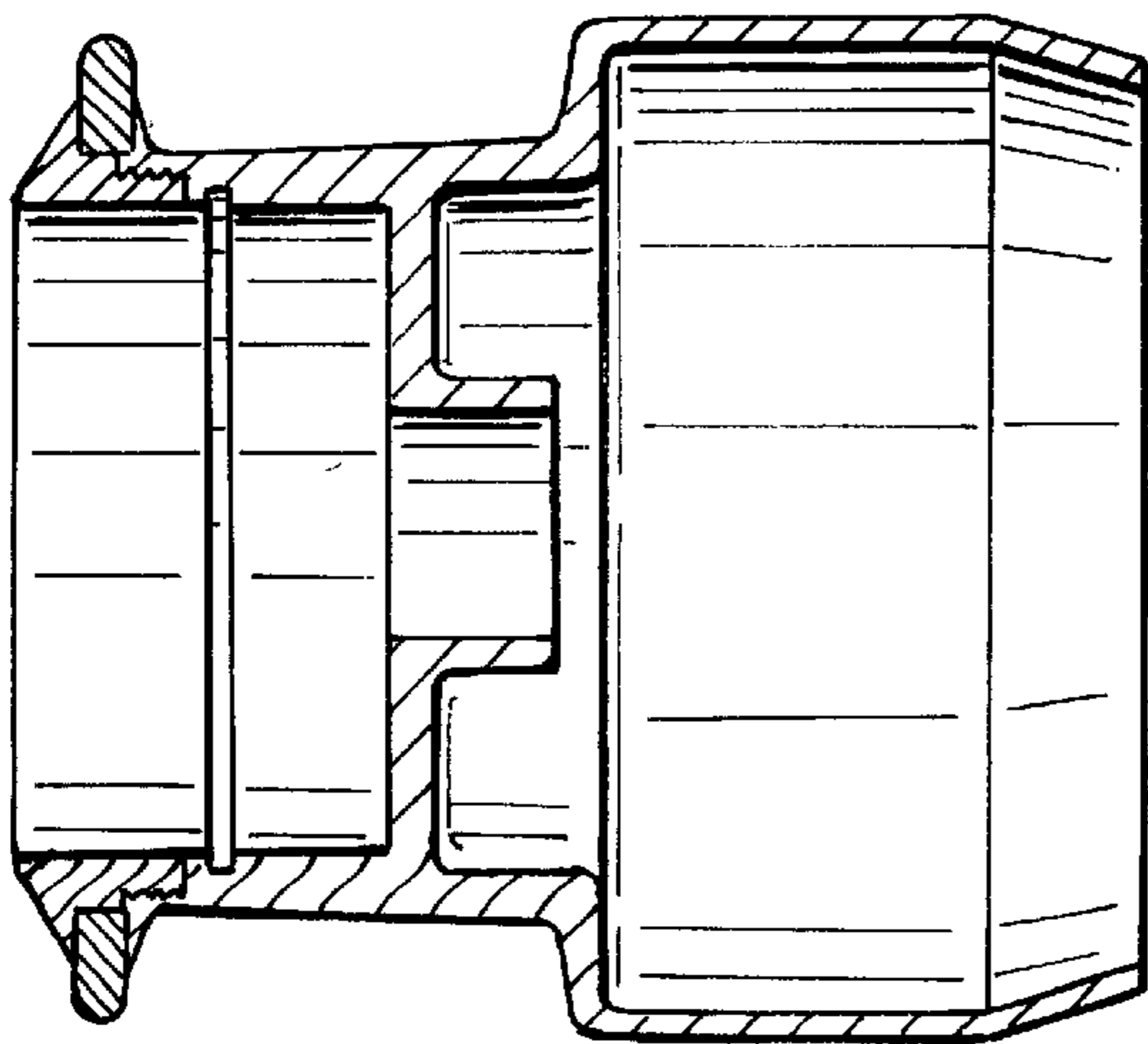


FIG. 5

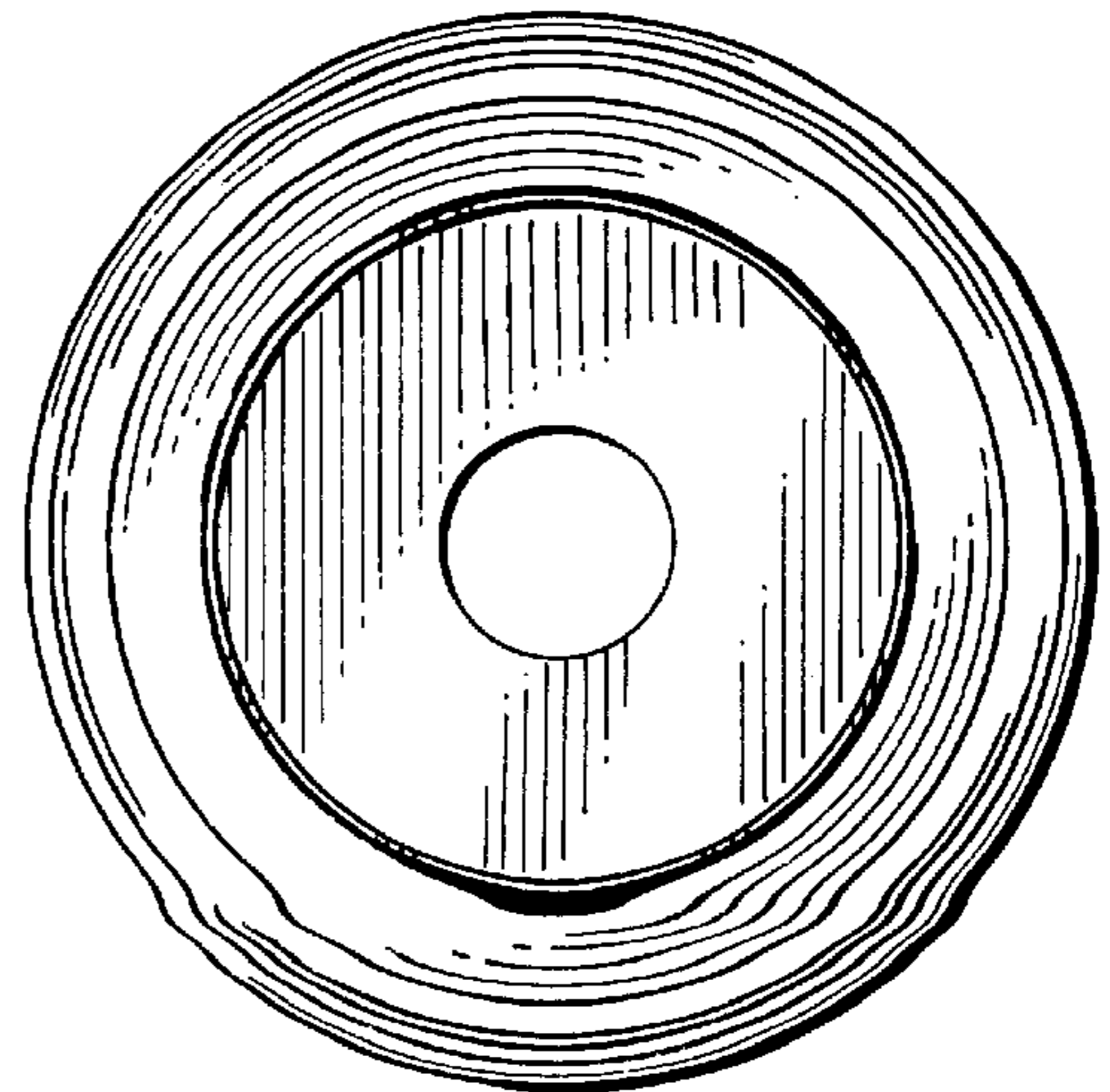


FIG. 7

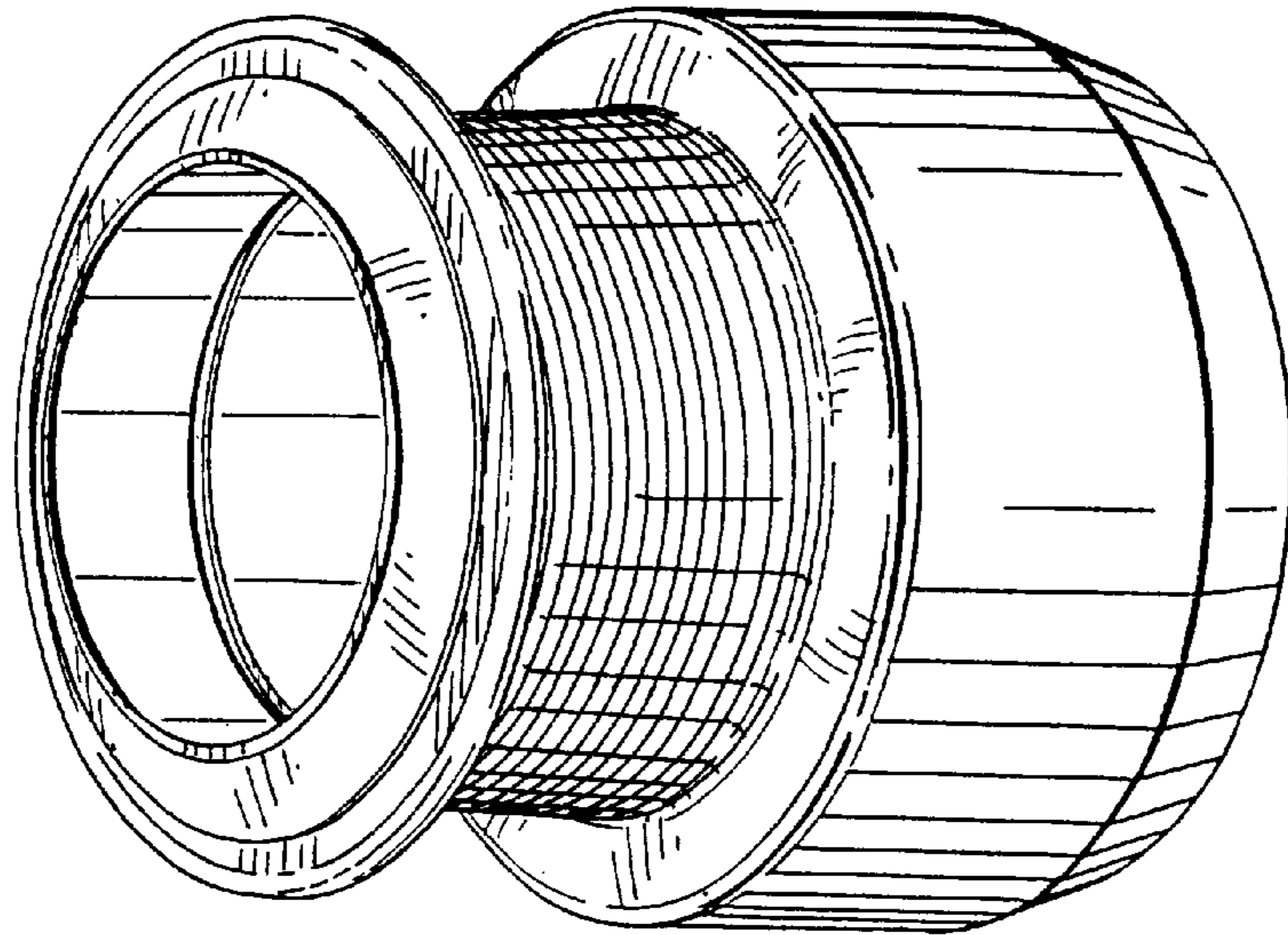


FIG. 8

