



US00D428105S

United States Patent [19]
Holcombe

[11] **Patent Number: Des. 428,105**

[45] **Date of Patent: ** Jul. 11, 2000**

[54] **FLOATING FISH ATTRACTING LIGHT**

[75] Inventor: **David Holcombe**, Spring, Tex.

[73] Assignee: **WCF, Inc.**, Spring, Tex.

[**] Term: **14 Years**

[21] Appl. No.: **29/098,977**

[22] Filed: **Jan. 8, 1999**

[51] **LOC (7) Cl.** **22-05**

[52] **U.S. Cl.** **D22/134; D26/78**

[58] **Field of Search** **D22/199, 134; 43/17.5, 17; D26/75, 42, 3, 76, 78; 362/217**

[56] **References Cited**

U.S. PATENT DOCUMENTS

D. 121,420	7/1940	MacCarthy	D26/78
D. 128,968	8/1941	Scribner	D26/78
D. 134,531	12/1942	Kotcher	D26/78
D. 316,302	4/1991	Douthitt	D22/134
D. 343,467	1/1994	Yuen	D26/42
4,947,304	8/1990	Payne et al.	43/17.5

Primary Examiner—Louis S. Zarfes
Assistant Examiner—Inga-Maria Hyttinen
Attorney, Agent, or Firm—Mark R. Wisner

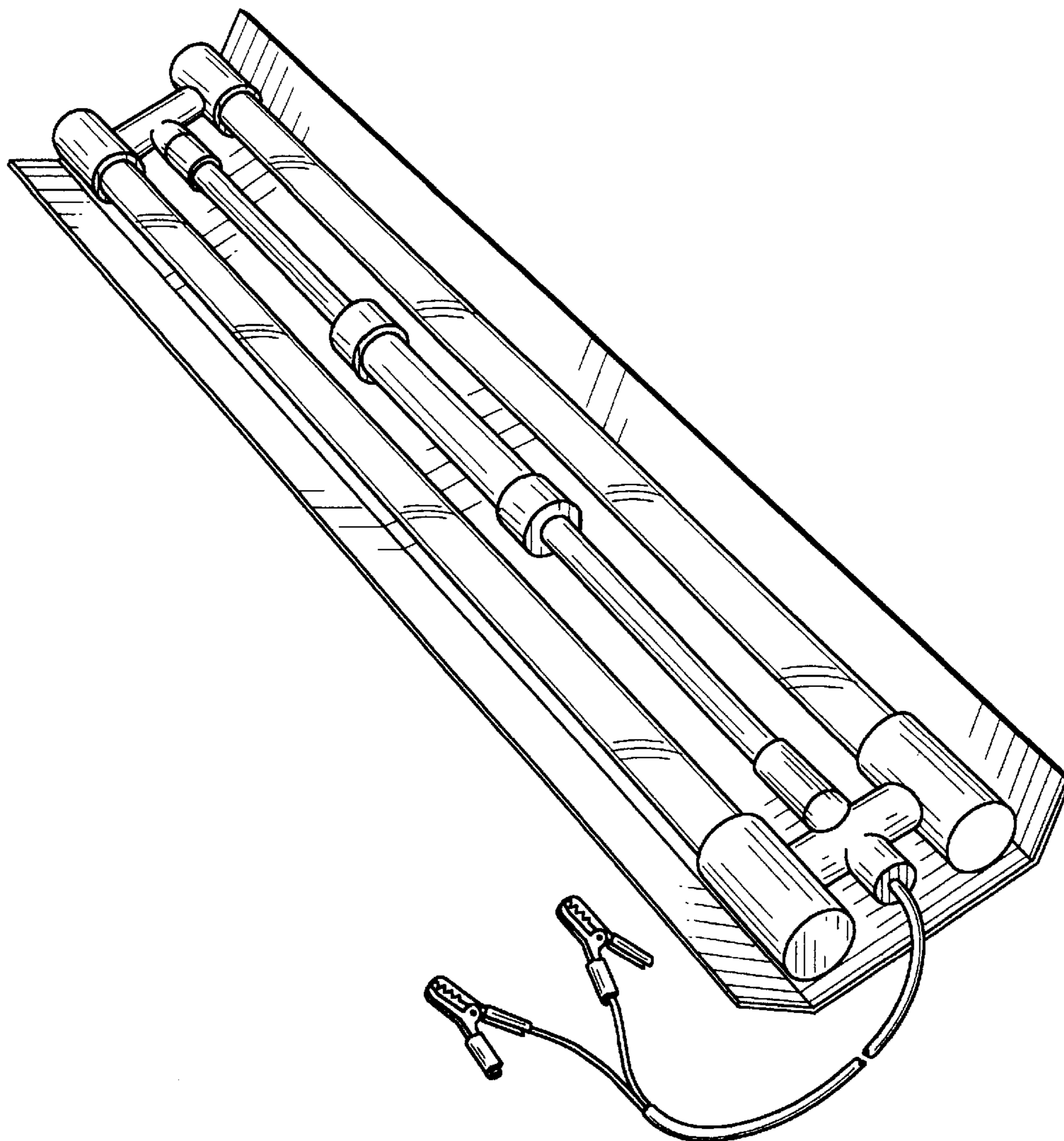
[57] **CLAIM**

The ornamental design for a floating fish attracting light, as shown and described.

DESCRIPTION

FIG. 1 is a perspective view of a floating fish attracting light showing my new design from the top, one end, and one side; FIG. 2 is a top plan view of the design shown in FIG. 1; FIG. 3 is a side elevational view of the first side of the design of FIG. 1; FIG. 4 is an end elevational view of the first end of the design of FIG. 1; FIG. 5 is a bottom plan view of the design shown in FIG. 1; FIG. 6 is a side elevational view of the second side of the design of FIG. 1; and, FIG. 7 is an end elevational view of the second end of the design of FIG. 1. The cable in FIGS. 1, 2, 4, and 5 is shown broken away to indicate indeterminate length.

1 Claim, 3 Drawing Sheets



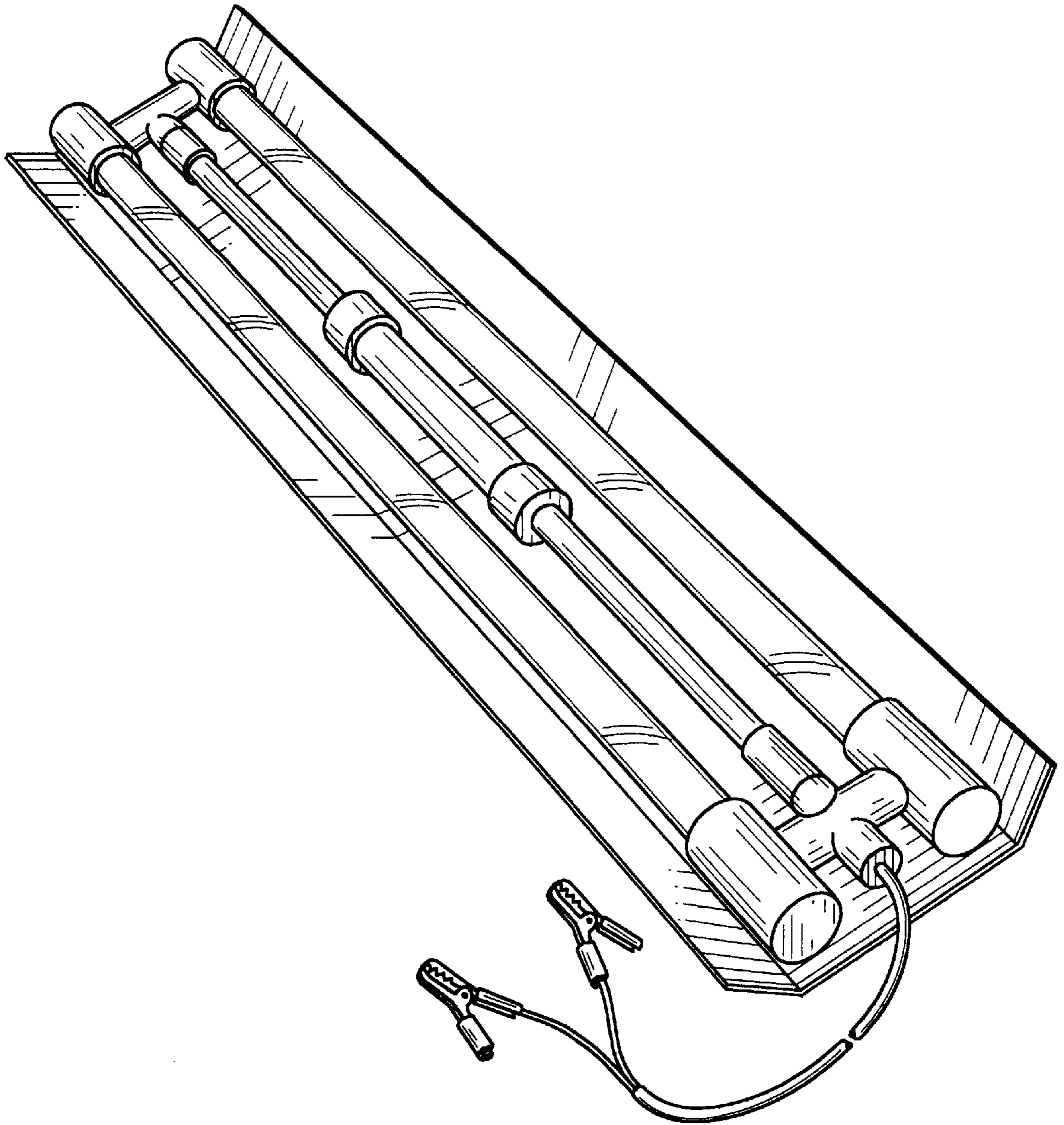


Fig. 1

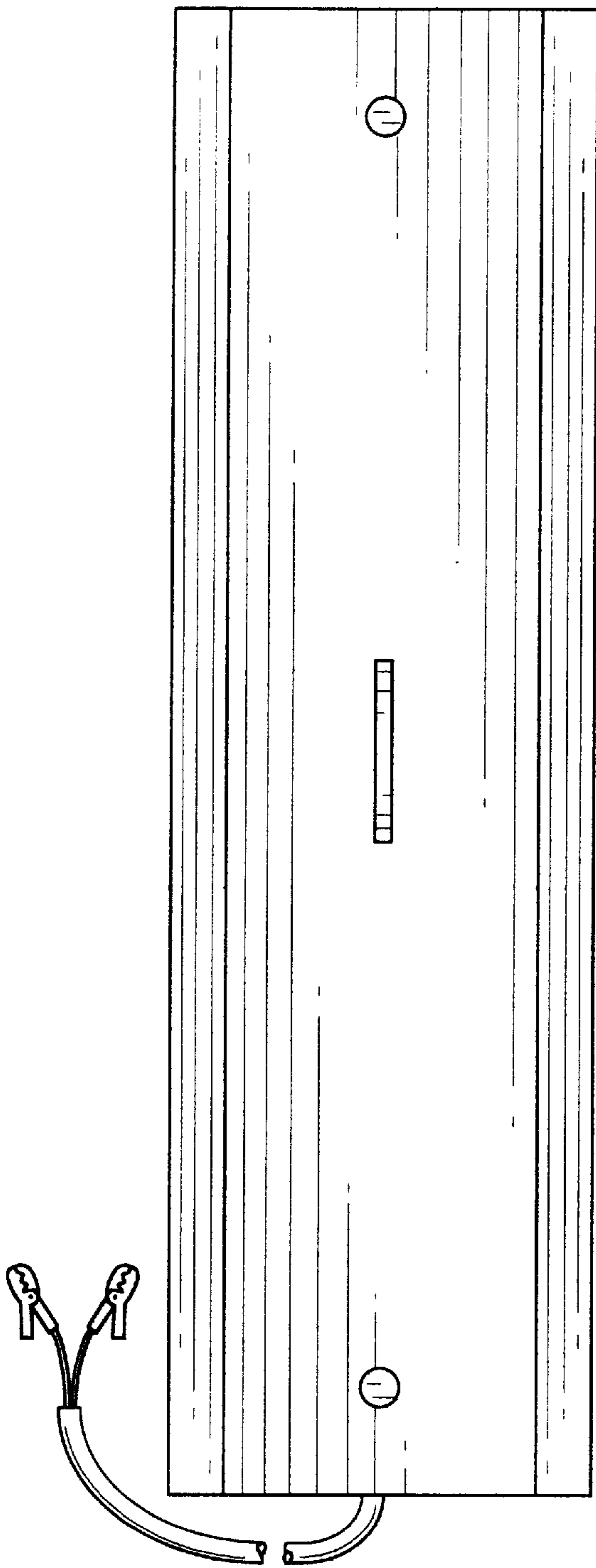


Fig. 2

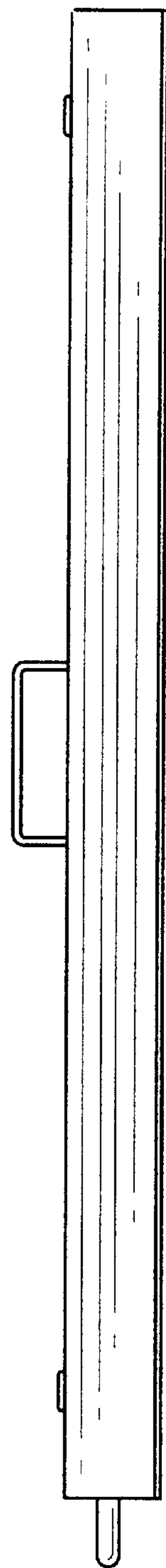


Fig. 3

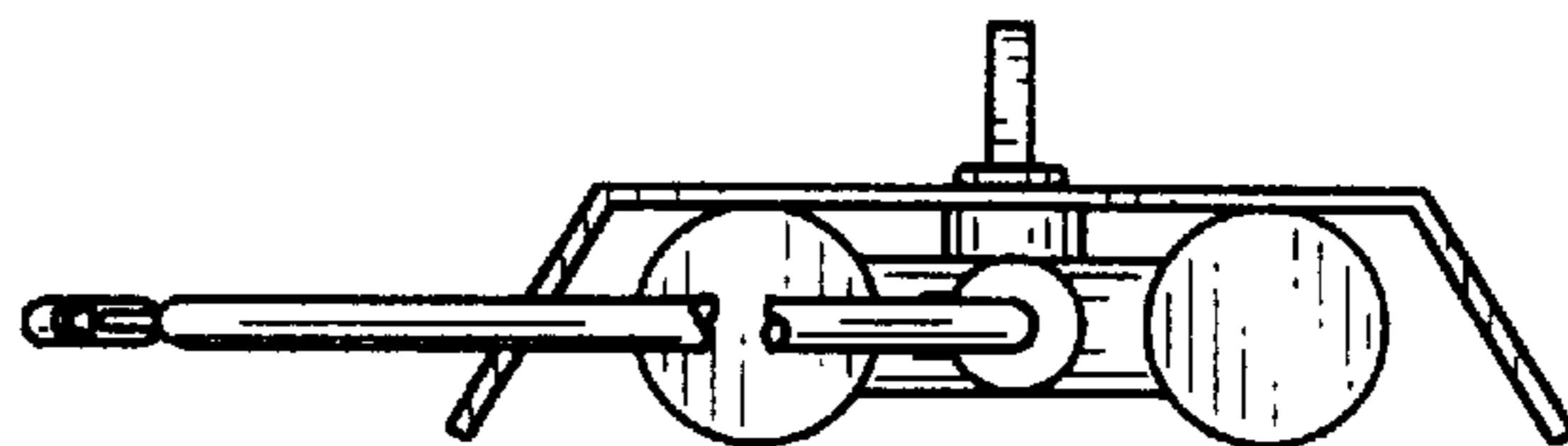


Fig. 4

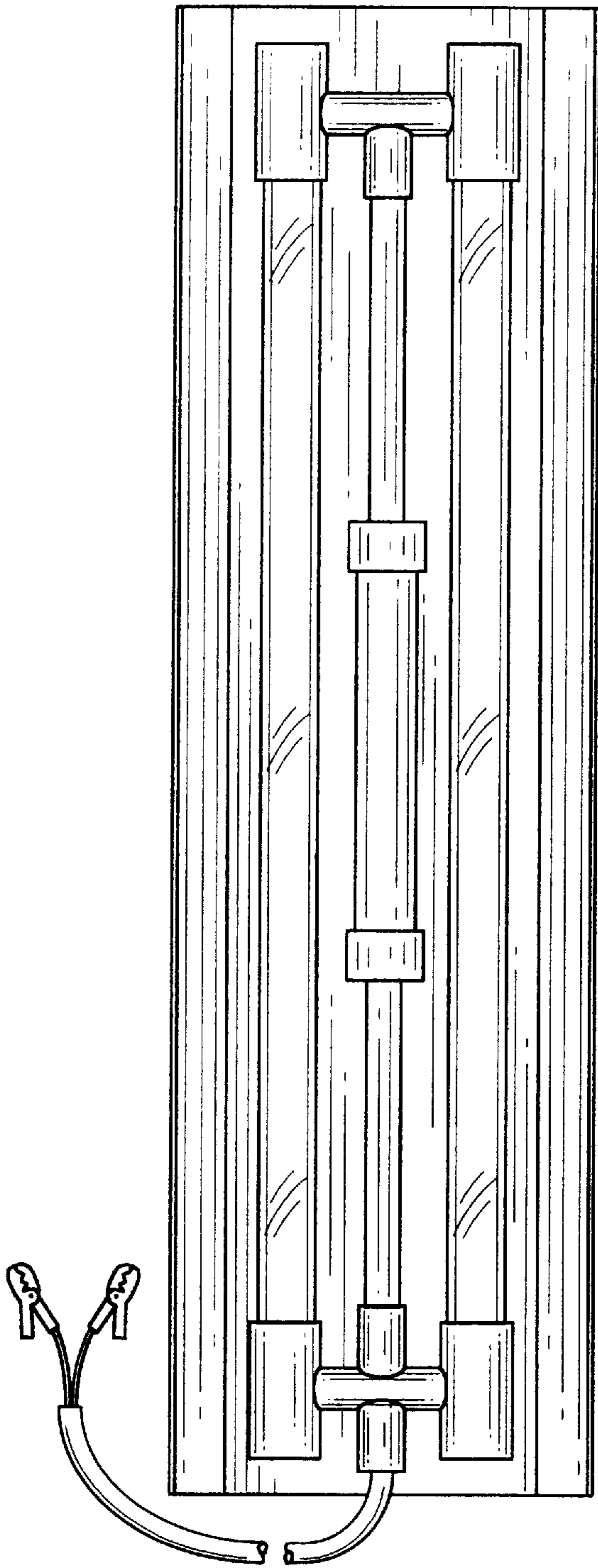


Fig. 5

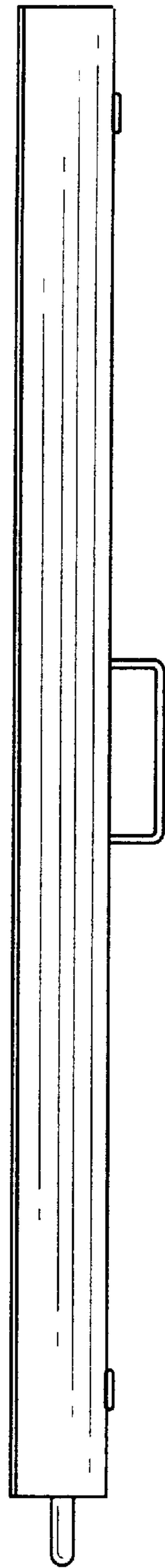


Fig. 6

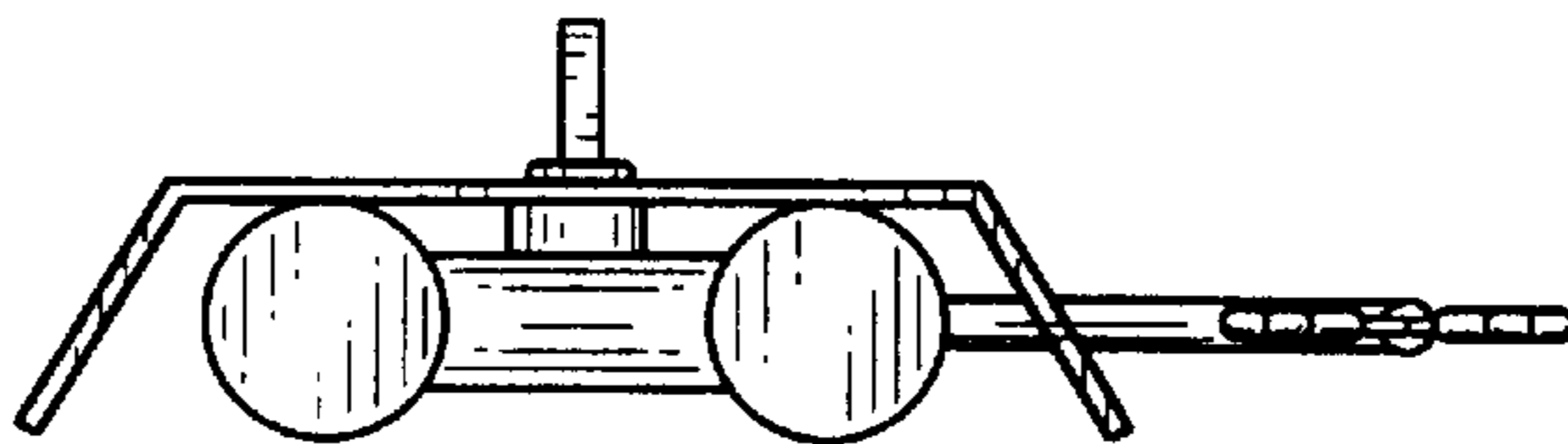


Fig. 7