



US00D428103S

United States Patent [19]

[11] **Patent Number: Des. 428,103**

Kiesler et al.

[45] **Date of Patent: ** Jul. 11, 2000**

[54] **REVOLVER SIGHT**

4,338,740	7/1982	Miller	42/102
4,651,432	3/1987	Bornancini	33/251 X
5,581,898	12/1996	Thummel	33/261 X
5,896,850	4/1999	Sullivan, Jr.	42/101 X

[76] Inventors: **Eric J. Kiesler**, 1711 Cuming St.;
William R. Laughridge, 515 E.
Military Ave., both of Fremont, Nebr.
68025-5841

Primary Examiner—Louis S. Zarfes
Assistant Examiner—Monica A. Weingart
Attorney, Agent, or Firm—Mintz, Levin, Cohn, Ferris,
Glovsky and Popeo, P.C.

[**] Term: **14 Years**

[21] Appl. No.: **29/108,034**

[57] **CLAIM**

[22] Filed: **Jul. 19, 1999**

The ornamental design for a revolver sight, as shown and described.

[51] **LOC (7) Cl.** **22-01**

DESCRIPTION

[52] **U.S. Cl.** **D22/109; D22/100; D22/108;**
D22/199

[58] **Field of Search** D22/100, 108,
D22/109, 110, 199; 33/241, 251, 261; 42/100,
101, 102

FIG. 1 is right side and rear perspective view of a revolver sight showing my new design in its environment;
FIG. 2 is a top plan view of a revolver sight showing my new design;
FIG. 3 is a front elevational view thereof;
FIG. 4 is a rear elevational view thereof;
FIG. 5 is a left side elevational view thereof, the right side being a mirror image of the side shown; and,
FIG. 6 is a bottom plan view thereof.
The broken line showing of a portion of a revolver in FIG. 1 is for illustrative purposes only and forms no part of the claimed design.

[56] **References Cited**

U.S. PATENT DOCUMENTS

D. 238,781	2/1976	Behlert	D22/109
D. 301,512	6/1989	Novak .	
D. 305,146	12/1989	Novak .	
D. 305,561	1/1990	Novak .	
D. 315,776	3/1991	Novak .	
3,200,499	8/1965	Kensington	33/261
4,127,943	12/1978	Tiritilli	42/100 X

1 Claim, 1 Drawing Sheet

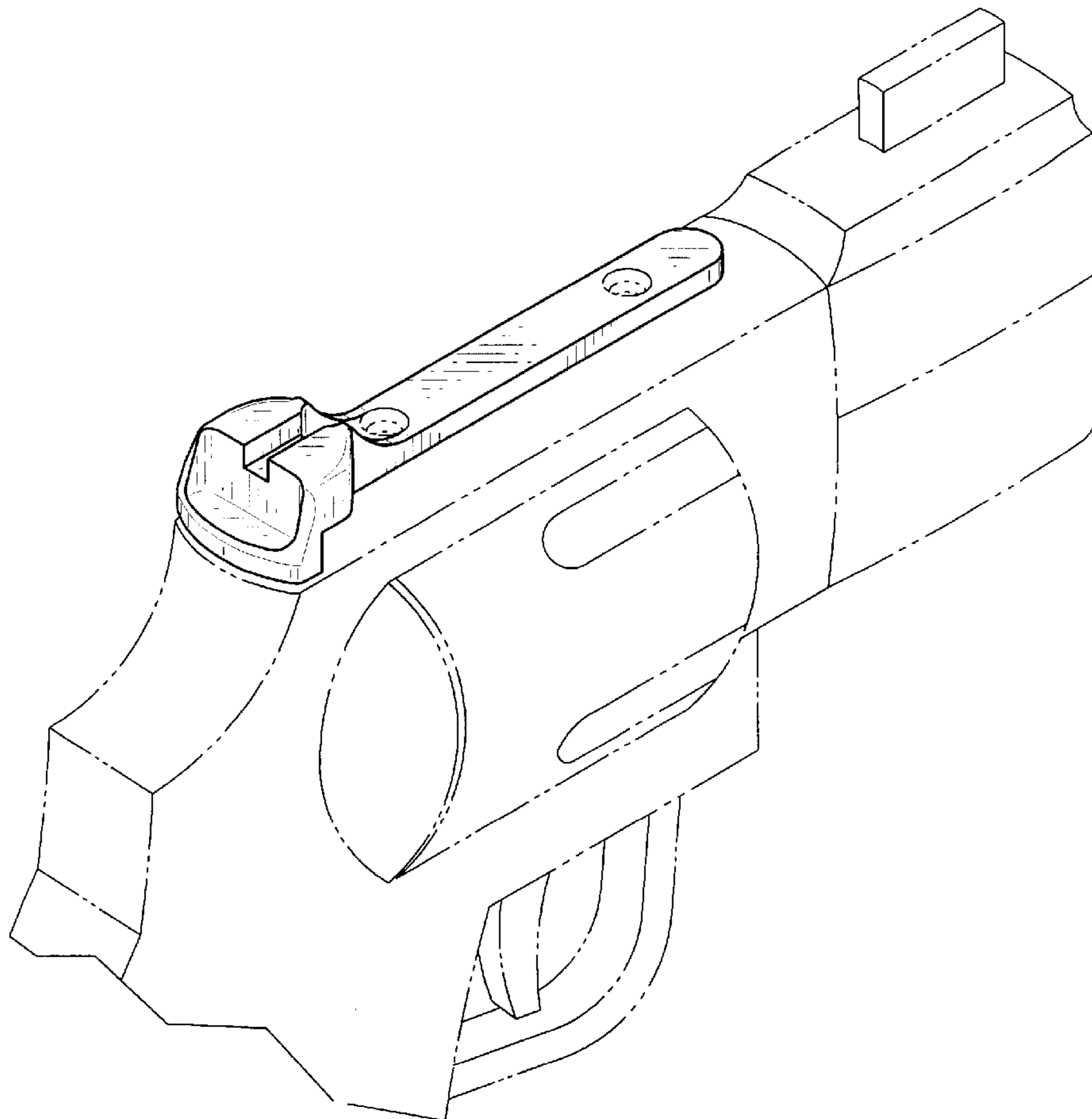


FIG. 1

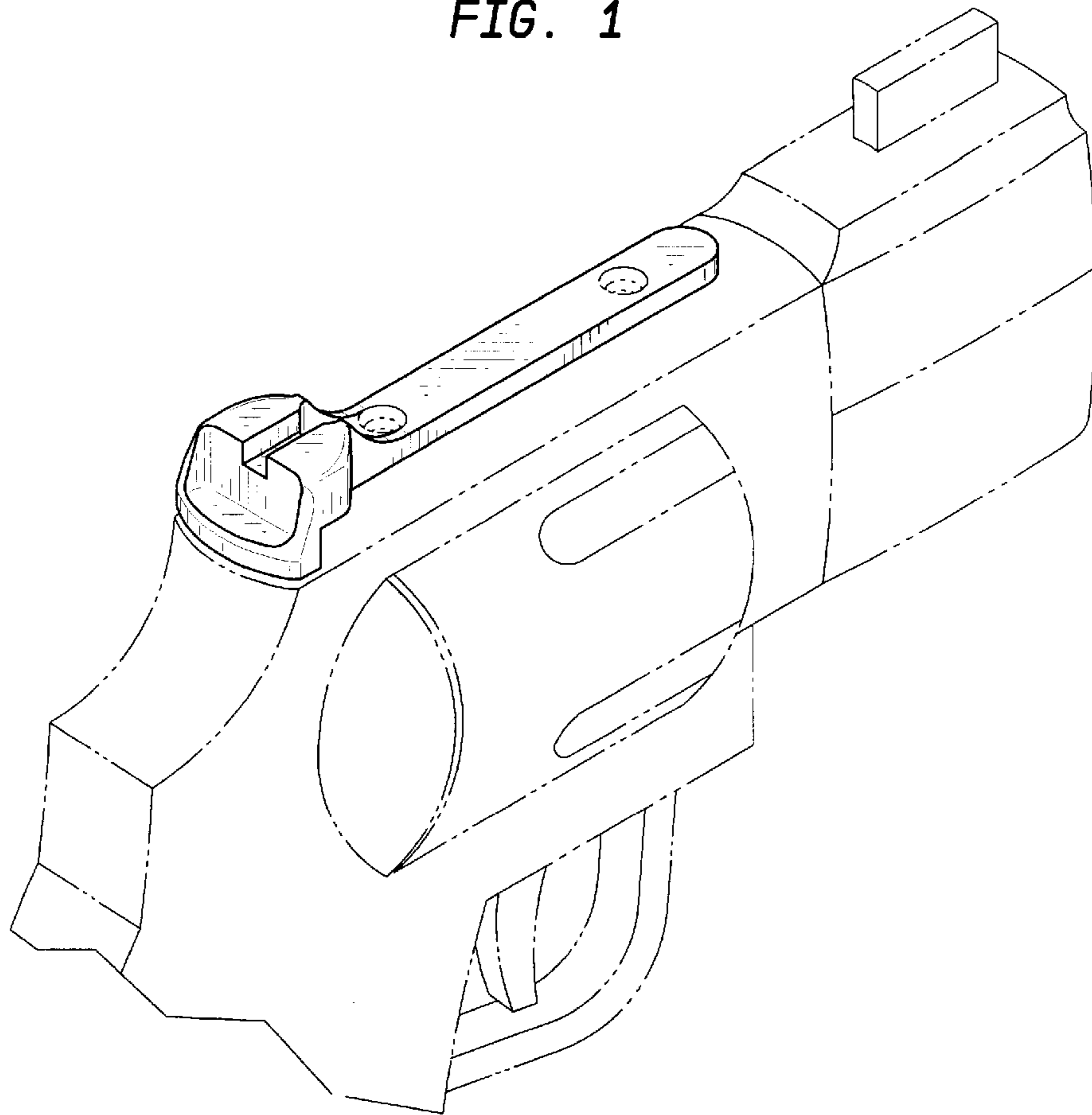


FIG. 2

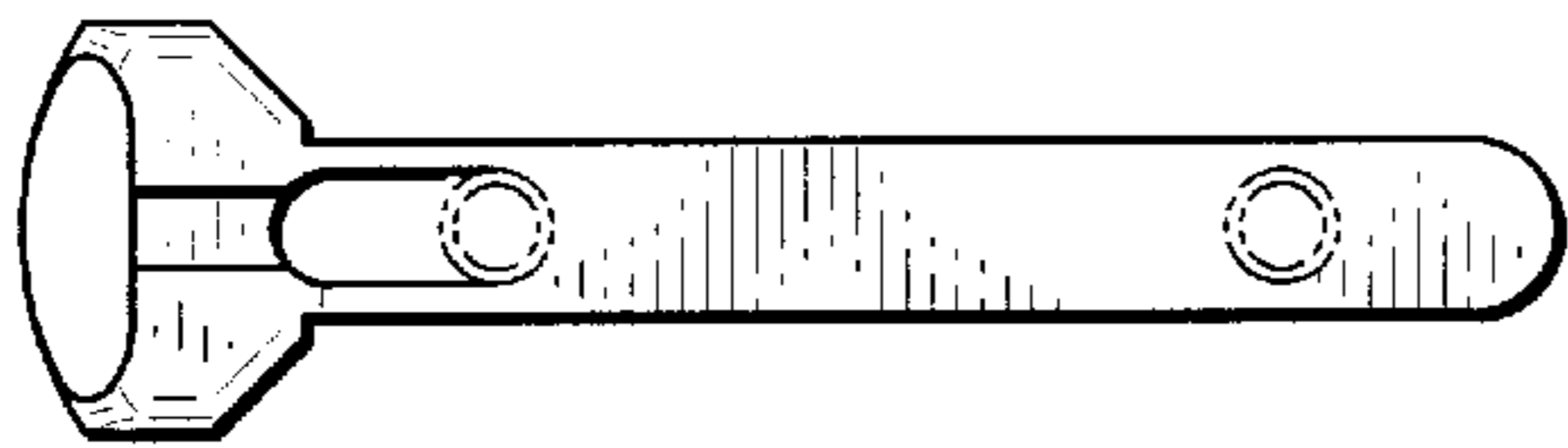


FIG. 3

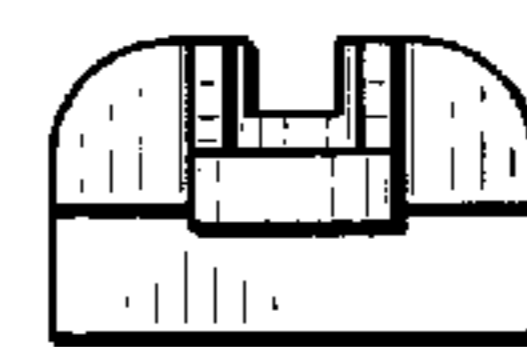


FIG. 4



FIG. 5

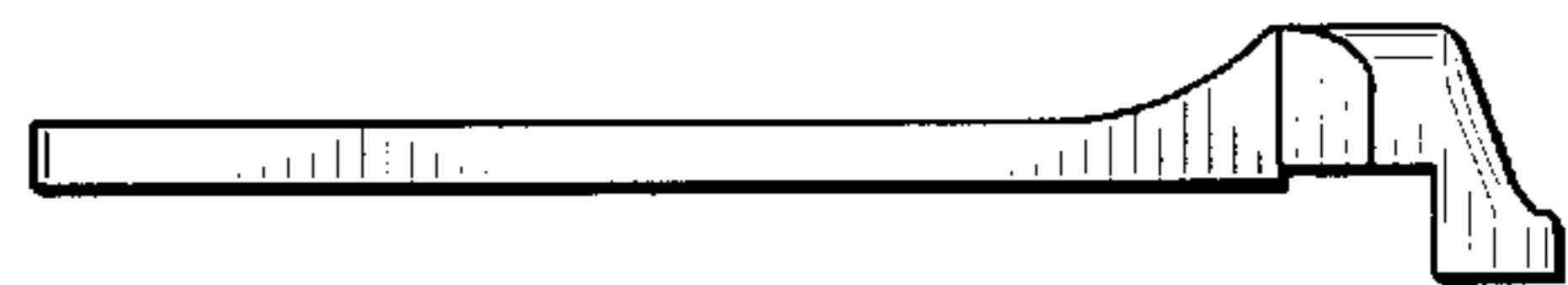


FIG. 6

